



US00D403710S

United States Patent [19] Gorse

[11] **Patent Number: Des. 403,710**

[45] **Date of Patent: **Jan. 5, 1999**

[54] **GOLF CLUB HEAD**

[76] Inventor: **Peter Richard Gorse**, 3, Linton Close, Heelands, Milton Keynes, MK13 7NR, United Kingdom

[**] Term: **14 Years**

[21] Appl. No.: **49,842**

[22] Filed: **Feb. 1, 1996**

[30] **Foreign Application Priority Data**

Aug. 2, 1995 [GB] United Kingdom 2049188

[51] **LOC (6) Cl.** **21-02**

[52] **U.S. Cl.** **D21/214**

[58] **Field of Search** D21/214; 473/343-349

[56] **References Cited**

U.S. PATENT DOCUMENTS

D. 351,442	10/1994	Asabuki et al.	D21/214
3,088,736	5/1963	Mospan	D21/220
3,761,095	9/1973	Thompson	473/327
4,162,794	7/1979	Thompson	473/344 X
4,313,607	2/1982	Thompson	473/344 X
4,319,752	3/1982	Thompson	473/328
4,756,534	7/1988	Thompson	473/328

OTHER PUBLICATIONS

Golf Digest; p. 48; Ginty wood, lower left corner of page, May 1979.

Golf World; p. 23; Tracker 7, upper right corner of page, Sep. 1979.

Golf Day; p. 11; Ladies #7 utility wood, 2nd row down, right side of page, 1994.

Primary Examiner—Ted Shooman

Assistant Examiner—Mitchell I. Siegel

Attorney, Agent, or Firm—Wood, Phillips, VanSanten, Clark & Mortimer

[57] **CLAIM**

The ornamental design for a golf club head, as shown and described.

DESCRIPTION

FIG. 1 is a plan view from above of my design for a golf club head;

FIG. 2 is a rear elevation view thereof;

FIG. 3 is side elevation view thereof;

FIG. 4 is a front elevation view thereof; and,

FIG. 5 is a plan view from below thereof.

The broken line showing of a fragmented shaft is for illustrative purposes only and forms no part of the claimed design.

1 Claim, 4 Drawing Sheets

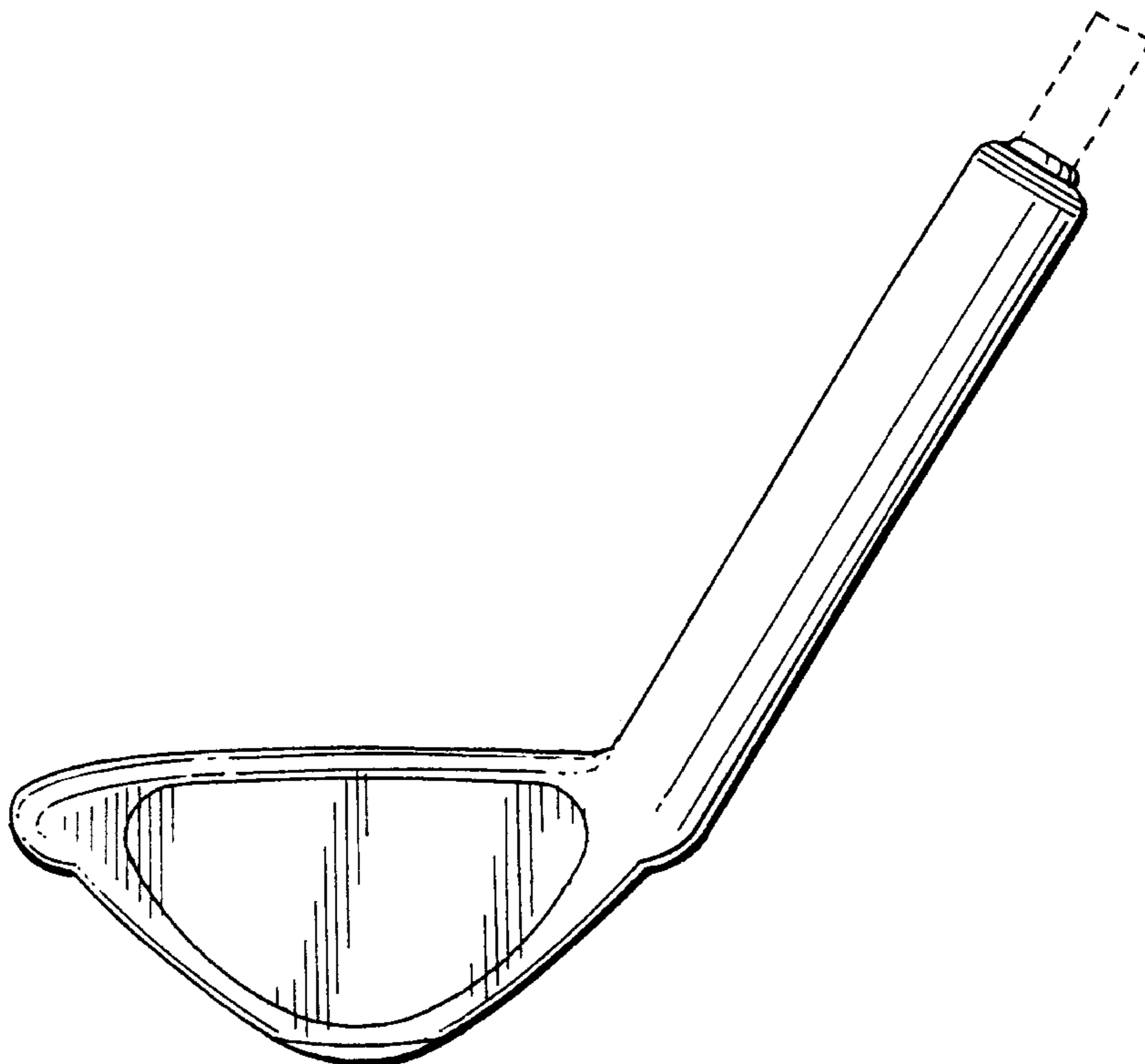


FIG. 1

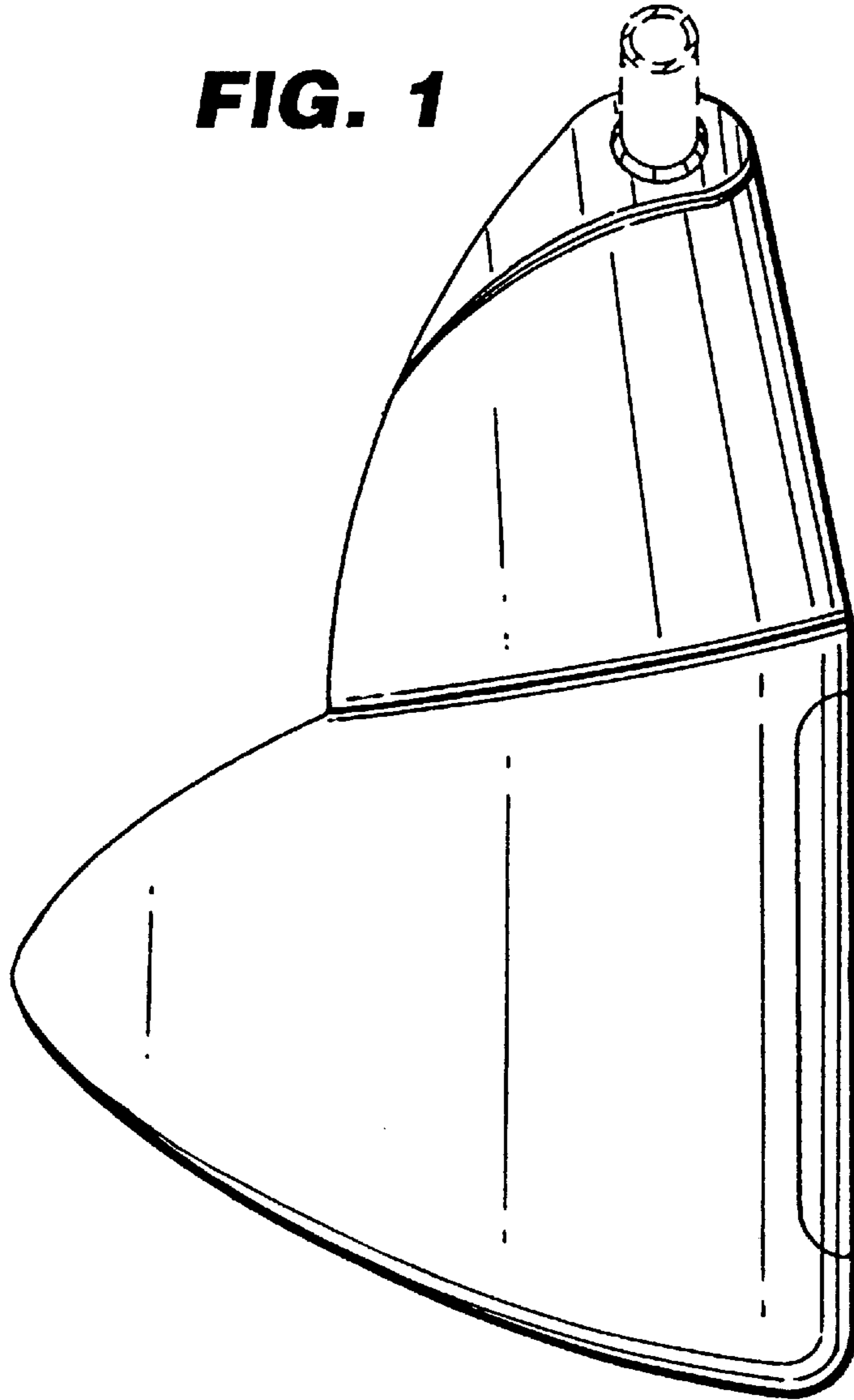
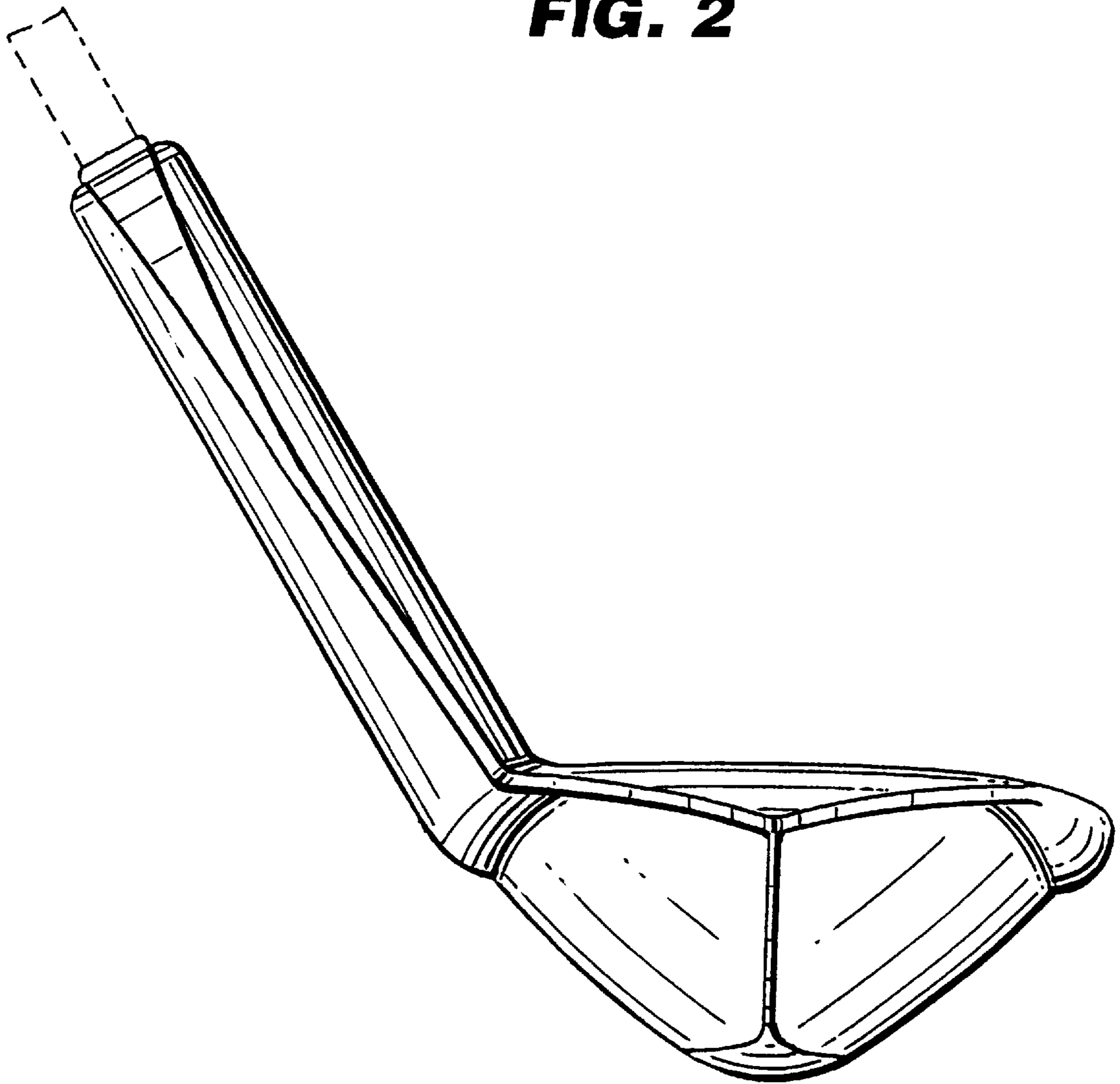


FIG. 2



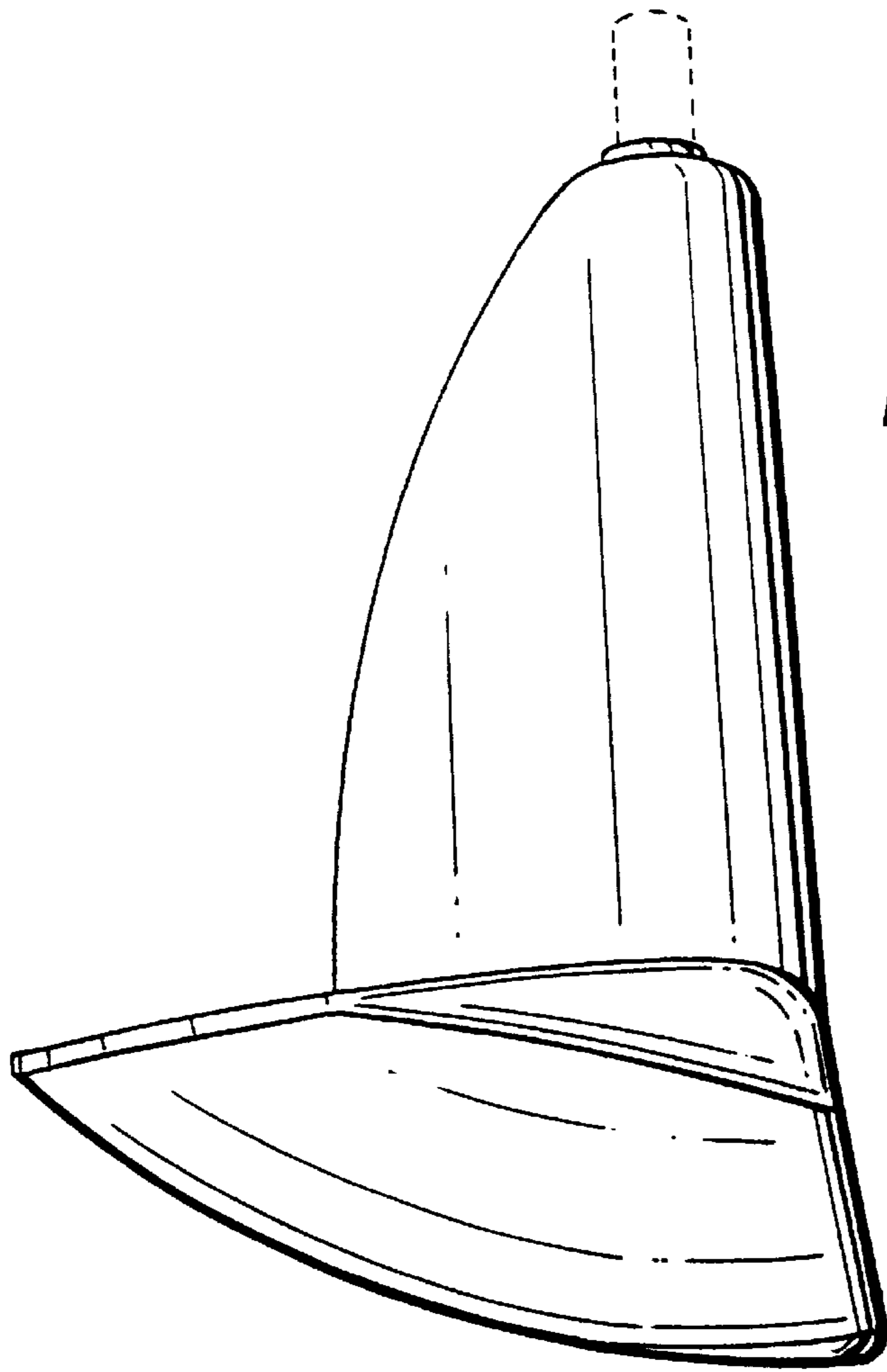


FIG. 3

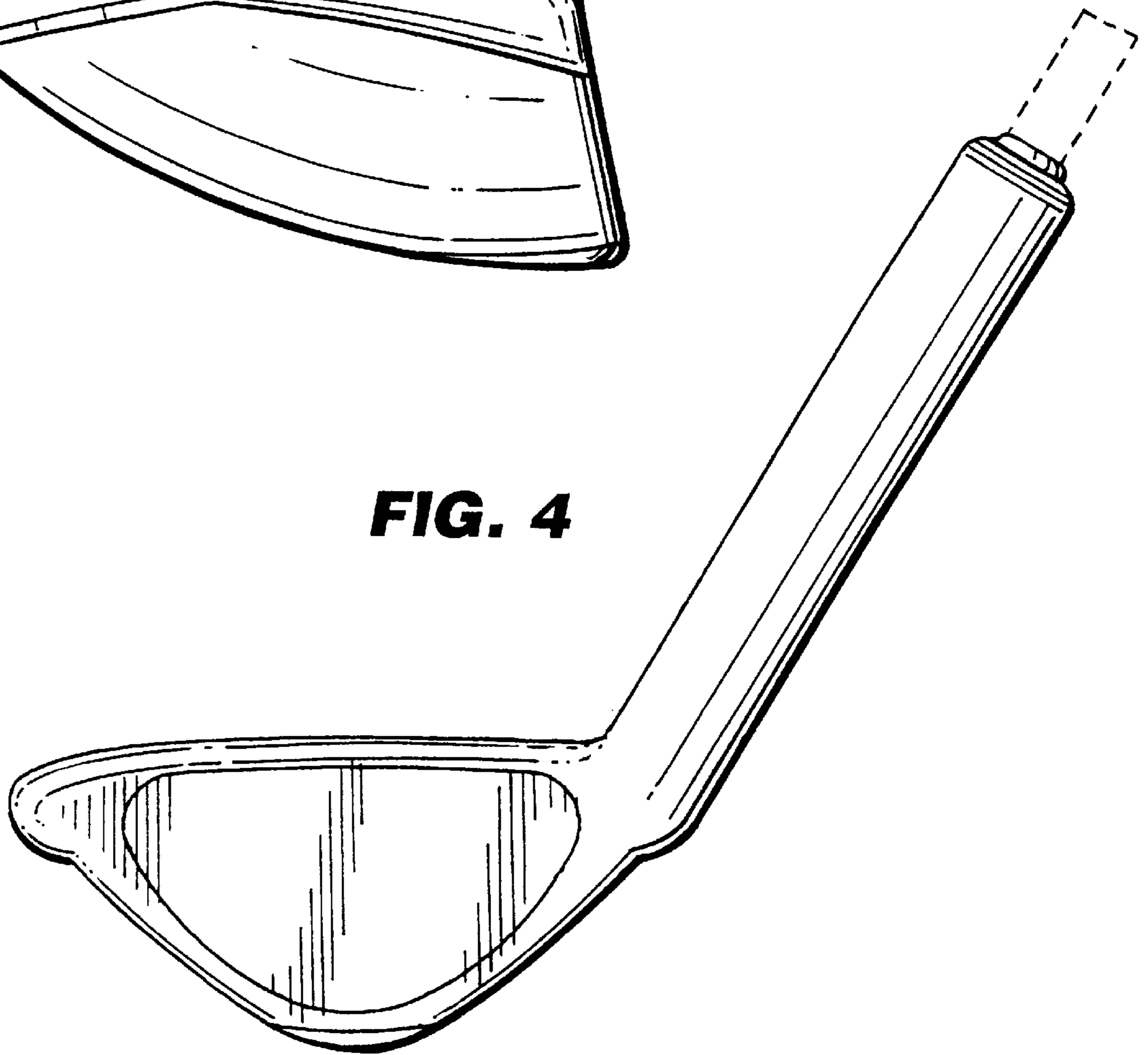


FIG. 4

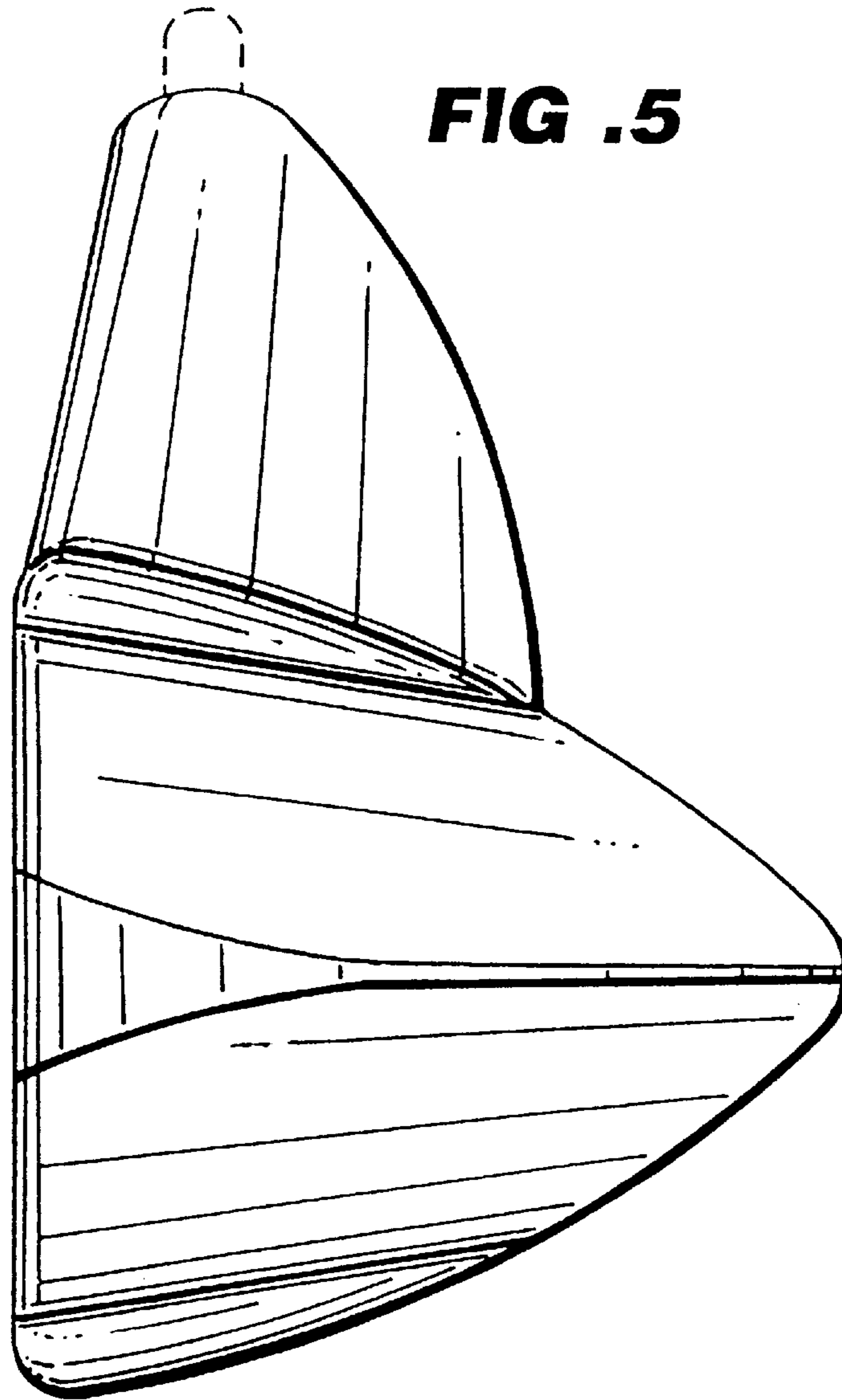


FIG .5