



US00D403703S

United States Patent [19] Campbell

[11] **Patent Number:** **Des. 403,703**

[45] **Date of Patent:** ****Jan. 5, 1999**

[54] **MARKER PEN**

[75] Inventor: **Thomas J. Campbell**, Alta Dena, Calif.

[73] Assignee: **Avery Dennison Corporation**,
Pasadena, Calif.

[**] Term: **14 Years**

[21] Appl. No.: **86,213**

[22] Filed: **Apr. 8, 1998**

[51] **LOC (6) Cl.** **19-06**

[52] **U.S. Cl.** **D19/43; D19/46; D19/51;**
D19/57

[58] **Field of Search** D19/35, 36, 41-42,
D19/43-51, 53-58, 66, 81-85; 401/196,
198, 202, 261, 266, 243-247

[56] **References Cited**

U.S. PATENT DOCUMENTS

- D. 319,662 9/1991 Henry D19/43
- D. 330,388 10/1992 Choi D19/36
- D. 334,406 3/1993 Celender D19/51 X

- D. 353,397 12/1994 Banik D19/66
- D. 372,271 7/1996 Dworman et al. D19/51

Primary Examiner—Martie K. Holtje
Attorney, Agent, or Firm—Oppenheimer Wolff & Donnelly
LLP

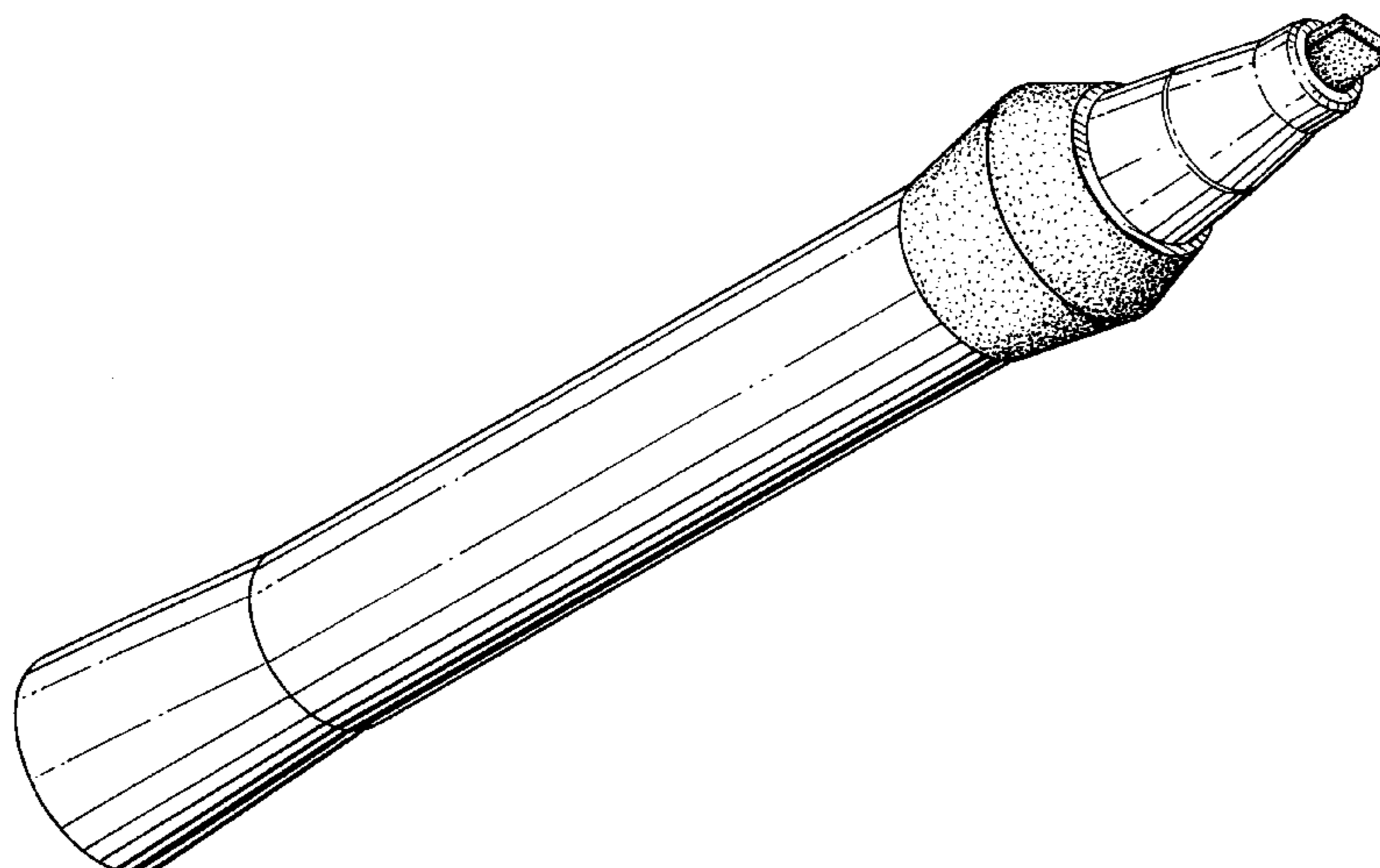
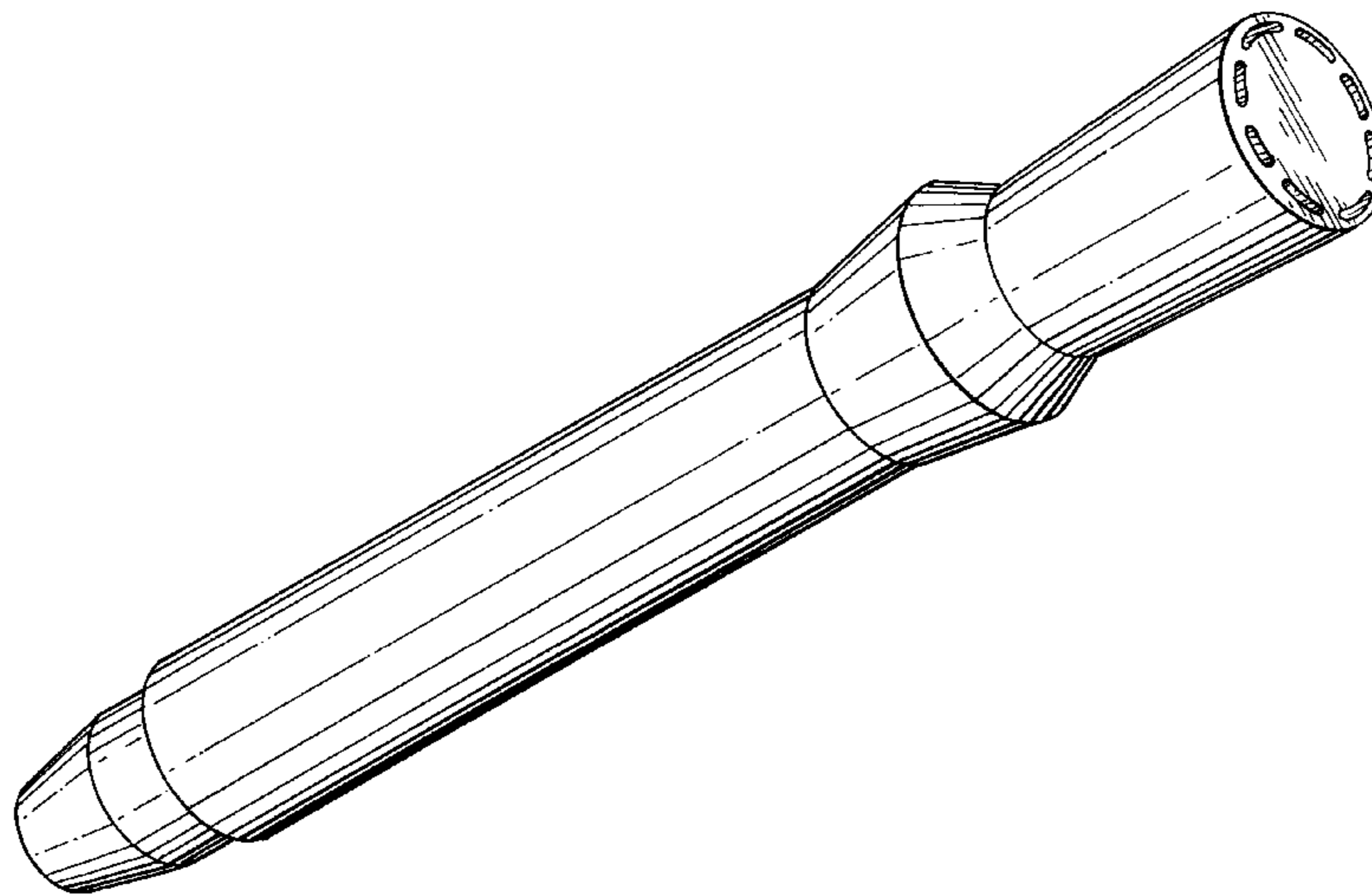
[57] **CLAIM**

The ornamental design for a marker pen, as shown and described.

DESCRIPTION

FIG. 1 is a perspective view of a marker pen showing my new design;
 FIG. 2 is a side elevational view, all other sides being identical thereto;
 FIG. 3 is an end view from the marker tip end of the marker pen;
 FIG. 4 is an end view from the rear end thereof;
 FIG. 5 is a perspective view of an alternative embodiment of the marker pen, with a transparent barrel; and,
 FIG. 6 is a perspective view with the tip cover mounted on the rear end of the marker pen.

1 Claim, 3 Drawing Sheets



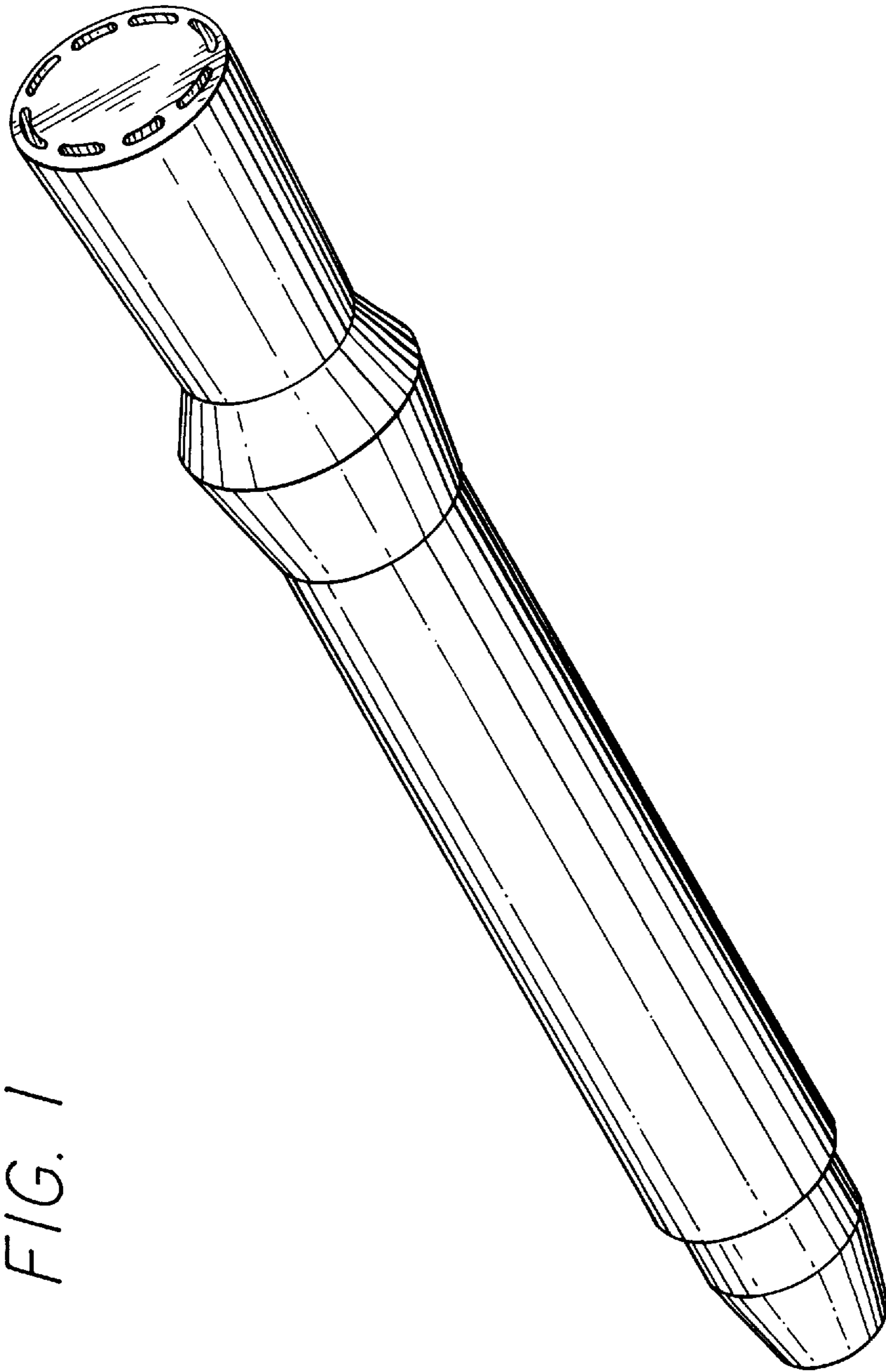


FIG. 1

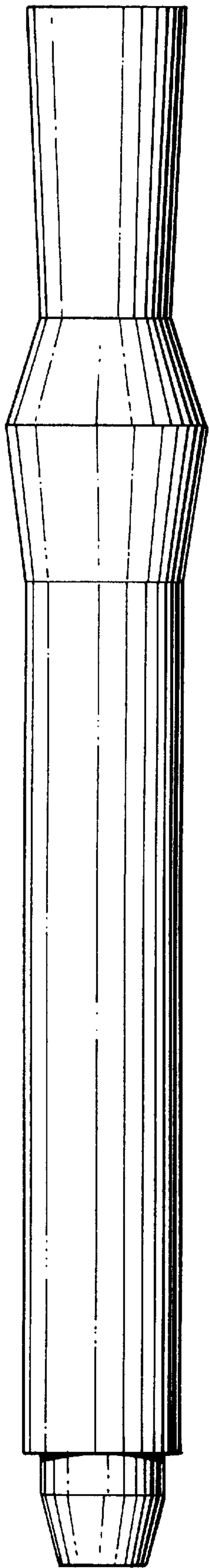


FIG. 2

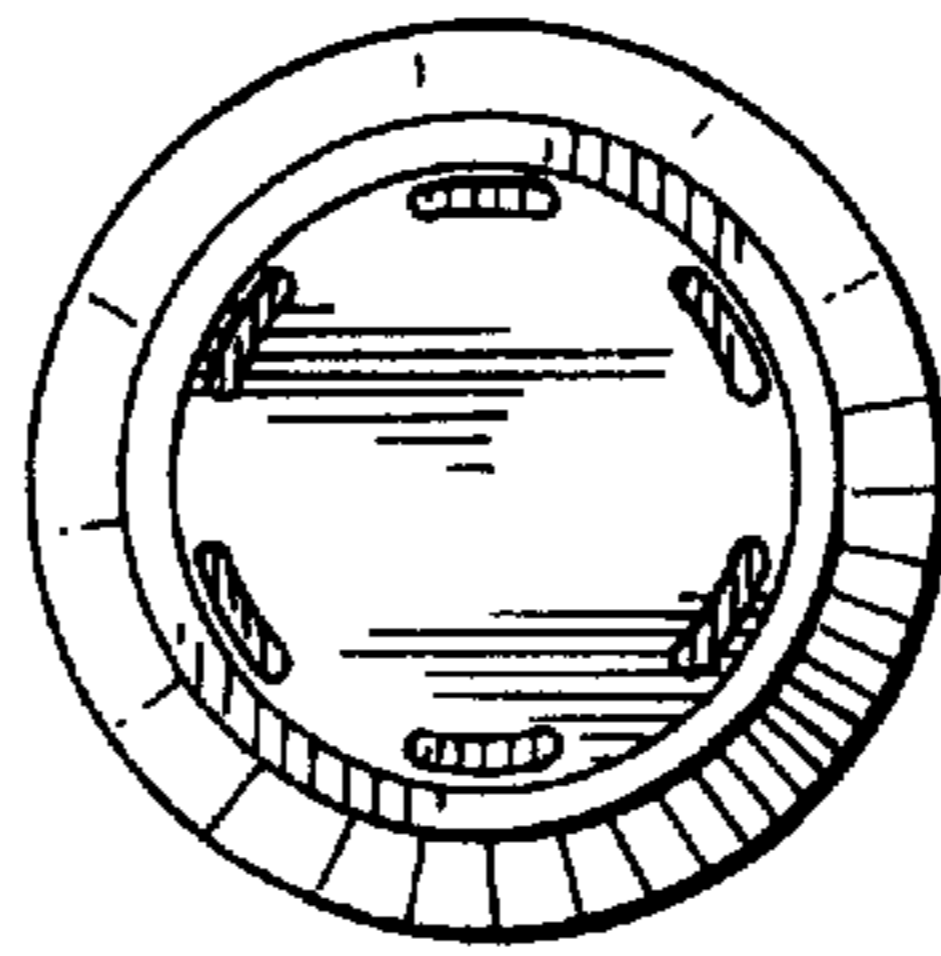
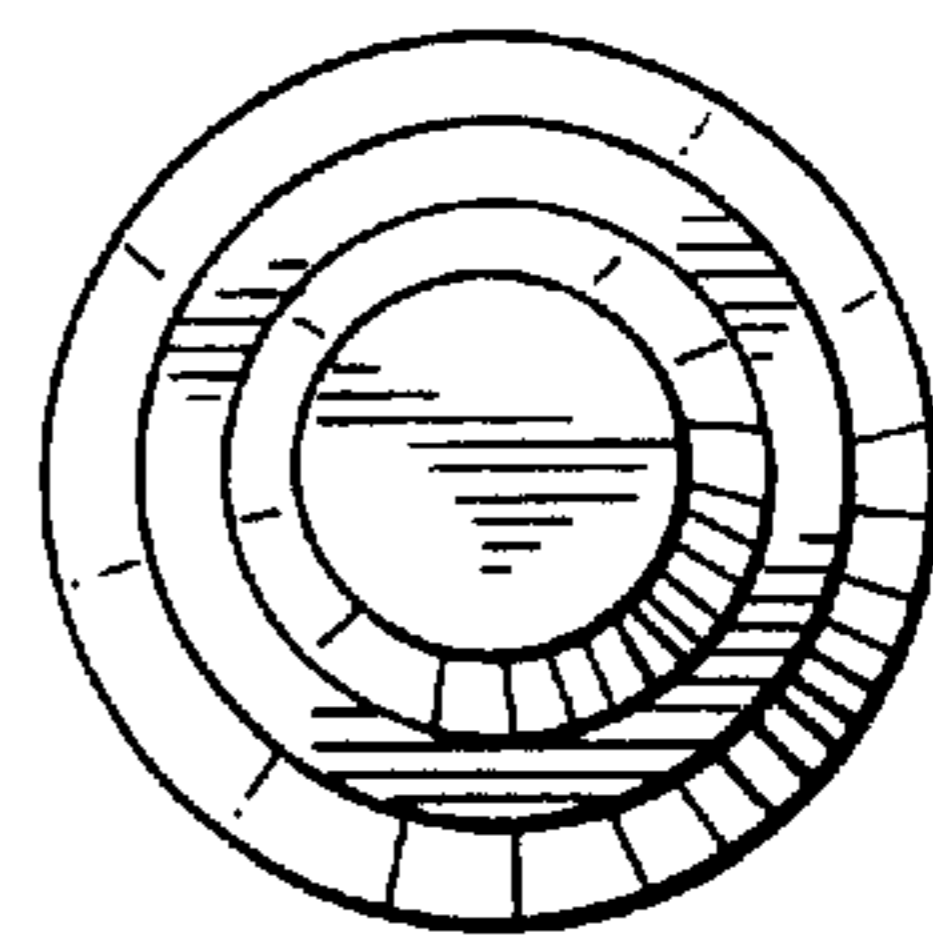


FIG. 3

FIG. 4



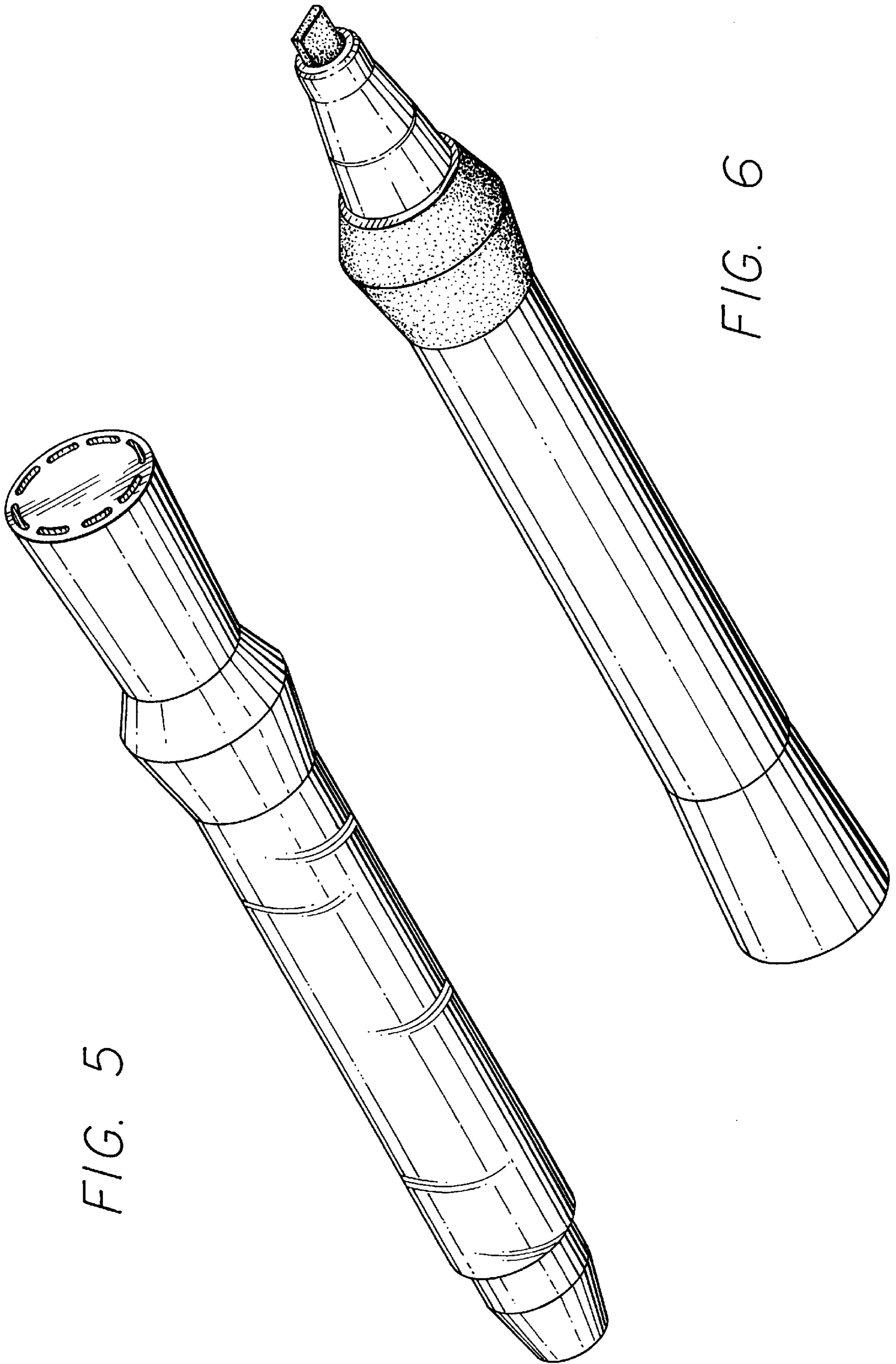


FIG. 5

FIG. 6