



US00D403689S

United States Patent [19] Mage

[11] Patent Number: Des. 403,689

[45] Date of Patent: **Jan. 5, 1999

[54] GOGGLE

[75] Inventor: Jerome Jacques Marie Mage,
Carlsbad, Calif.

[73] Assignee: Spy Optic, Inc., Carlsbad, Calif.

[**] Term: 14 Years

[21] Appl. No.: 68,794

[22] Filed: Mar. 26, 1997

[51] LOC (6) Cl. 16-06

[52] U.S. Cl. D16/312

[58] Field of Search D16/101, 300-330;
D29/109, 110; D24/110.2; 351/41, 44, 51,
52, 158; 2/426, 452

[56] **References Cited**

U.S. PATENT DOCUMENTS

D. 114,800	5/1939	Simon .	
D. 118,391	1/1940	Sanders .	
D. 134,290	11/1942	Dito et al. .	
D. 148,974	3/1948	Bolle	D57/1
D. 151,693	11/1948	Jacobsen	D57/1
D. 169,724	6/1953	Bauer et al.	D57/1
D. 170,435	9/1953	Weissman	D57/1
D. 189,436	12/1960	Carmichael	D57/1
D. 200,355	2/1965	De Angelis	D57/1
D. 204,210	3/1966	McCulloch	D57/1
D. 204,636	5/1966	Radziwon et al.	D57/1
D. 204,959	5/1966	McCulloch	D57/1
D. 205,093	6/1966	Gaboriault	D57/1
D. 215,761	10/1969	Mitchell	D57/1
D. 218,569	9/1970	McCraken	D57/1
D. 218,953	10/1970	Maiese	D57/1
D. 227,407	6/1973	Marchi	D57/1 F
D. 231,260	4/1974	Jelinek	D57/1 F
D. 245,083	7/1977	Zimmermann	D16/65
D. 246,791	12/1977	Shindler	D16/65
D. 289,301	4/1987	Jannard	D16/112
D. 293,450	12/1987	Jannard	D16/102
D. 295,869	5/1988	Lamy	D16/102
D. 311,197	10/1990	Jannard	D16/127
D. 320,402	10/1991	Jannard et al.	D16/127
D. 323,333	1/1992	Jannard et al.	D16/112
D. 323,516	1/1992	Miklitarian	D16/102

D. 324,058	2/1992	Longsdorf et al.	D16/102
D. 324,394	3/1992	Jannard	D16/102
D. 324,528	3/1992	Jannard	D16/102
D. 325,040	3/1992	Jannard	D16/102
D. 326,674	6/1992	Mehringer	D16/102
D. 328,468	8/1992	Jannard	D16/101
D. 329,442	9/1992	Jannard	D16/102

(List continued on next page.)

OTHER PUBLICATIONS

Clinton Optical Company, Inc.; New York; Jan. 1947; 1 pg.
Optical Journal & Review of Optometry; Apr. 1, 1969; 1 pg.
Welling International; Sep. 1971; 1 pg.
Guild Guide; Sep. 1972; p. 9.
Optometric Weekly; Dec. 14, 1972; p. 7.
Luminos Catalog; Mar. 2, 1973; p. 4.
Optometric Weekly; Jun. 13, 1974; p. 23.
The Optician; Sep. 9, 1977; p. 8.
Lunettes de Soleil; 1983; p. 4.
Accessories; Dec. 1986; front cover.
Yee Fat Optical Manufactory; Mar. 1987; p. 188.
Optician; Apr. 24, 1987; p. 2.
Optician; Apr. 1987; 1 pg.
Optician; May 1988; 1 pg.
Vogue; May 1992; 1 pg.
Macys; Jul. 10, 1996; p. 32.

Primary Examiner—Raphael Barkai
Attorney, Agent, or Firm—Stetina Brunda Garred & Brucker

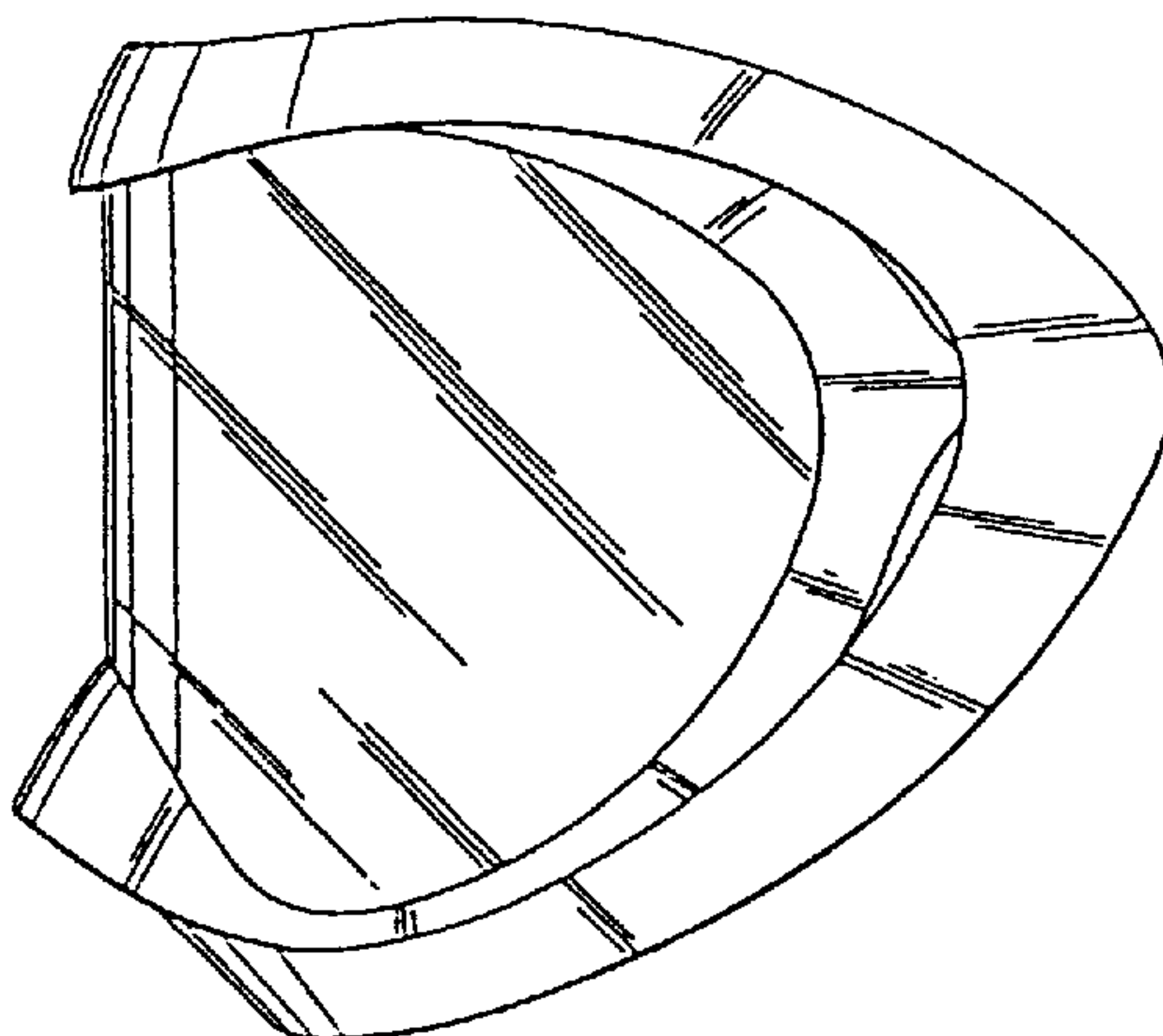
[57] **CLAIM**

The ornamental design for a goggle, as shown and described.

DESCRIPTION

FIG. 1 is a front elevational view of the goggle of the present invention showing my new design; FIG. 2 is a top plan view thereof; and, FIG. 3 is a side elevational view thereof. The portions of the interior and bottom surfaces not shown or described of the goggle form/s no part of the claimed design.

1 Claim, 1 Drawing Sheet



U.S. PATENT DOCUMENTS

D. 329,445	9/1992	Jannard	D16/116	D. 376,810	12/1996	Ohie	D16/326
D. 330,035	10/1992	Jannard	D16/102	2,042,400	5/1936	Hon	88/41
D. 330,716	11/1992	Jannard	D16/116	2,778,270	1/1957	Pomerance	88/41
D. 330,903	11/1992	Jannard	D16/116	3,015,987	1/1962	Harrison	88/41
D. 331,587	12/1992	Jannard et al.	D16/123	4,447,914	5/1984	Jannard	2/432
D. 331,763	12/1992	Jannard	D16/101	4,515,448	5/1985	Tackles	351/41
D. 333,145	2/1993	Jannard	D16/101	4,571,748	2/1986	Carroll et al.	2/436
D. 334,758	4/1993	Reymondet et al.	D16/102	4,665,598	5/1987	Murai et al.	29/20
D. 335,887	5/1993	Jannard	D16/101	4,707,863	11/1987	McNeal	2/436
D. 336,908	6/1993	Jannard	D16/101	4,716,601	1/1988	McNeal	2/434
D. 339,816	9/1993	Jackson	D16/102	4,730,915	3/1988	Jannard	351/47
D. 342,534	12/1993	Jannard et al.	D16/102	4,826,309	5/1989	VanNeste	351/114
D. 342,959	1/1994	Jannard et al.	D16/107	4,859,048	8/1989	Jannard	351/159
D. 343,182	1/1994	Jannard	D16/102	4,867,550	9/1989	Jannard	351/47
D. 344,281	2/1994	Jannard et al.	D16/102	5,018,223	5/1991	Dawson et al.	2/436
D. 344,282	2/1994	Hirschman	D16/102	5,054,903	10/1991	Jannard et al.	351/123
D. 344,742	3/1994	Jannard	D16/112	5,137,342	8/1992	Jannard et al.	351/123
D. 358,159	5/1995	Lai	D16/312	5,138,723	8/1992	Bolle	2/439
D. 363,504	10/1995	Arnette	D16/326	5,208,614	5/1993	Jannard	351/41
D. 364,181	11/1995	Arnette	D16/312	5,249,001	9/1993	Jannard	351/123
D. 365,591	12/1995	Jannard et al.	D16/326	5,303,428	4/1994	Pernicka	216/452
D. 366,666	1/1996	Arnette	D16/325	5,363,512	11/1994	Grabos, Jr. et al.	216/436
D. 366,890	2/1996	Arnette	D16/326	5,583,584	12/1996	Friedman	351/52
D. 366,891	2/1996	Arnette	D16/326	5,594,511	1/1997	Lin	351/116
D. 368,108	3/1996	Lei	D16/326	5,602,603	2/1997	Bondet	351/41
					5,711,035	1/1998	Haslbeck	2/436

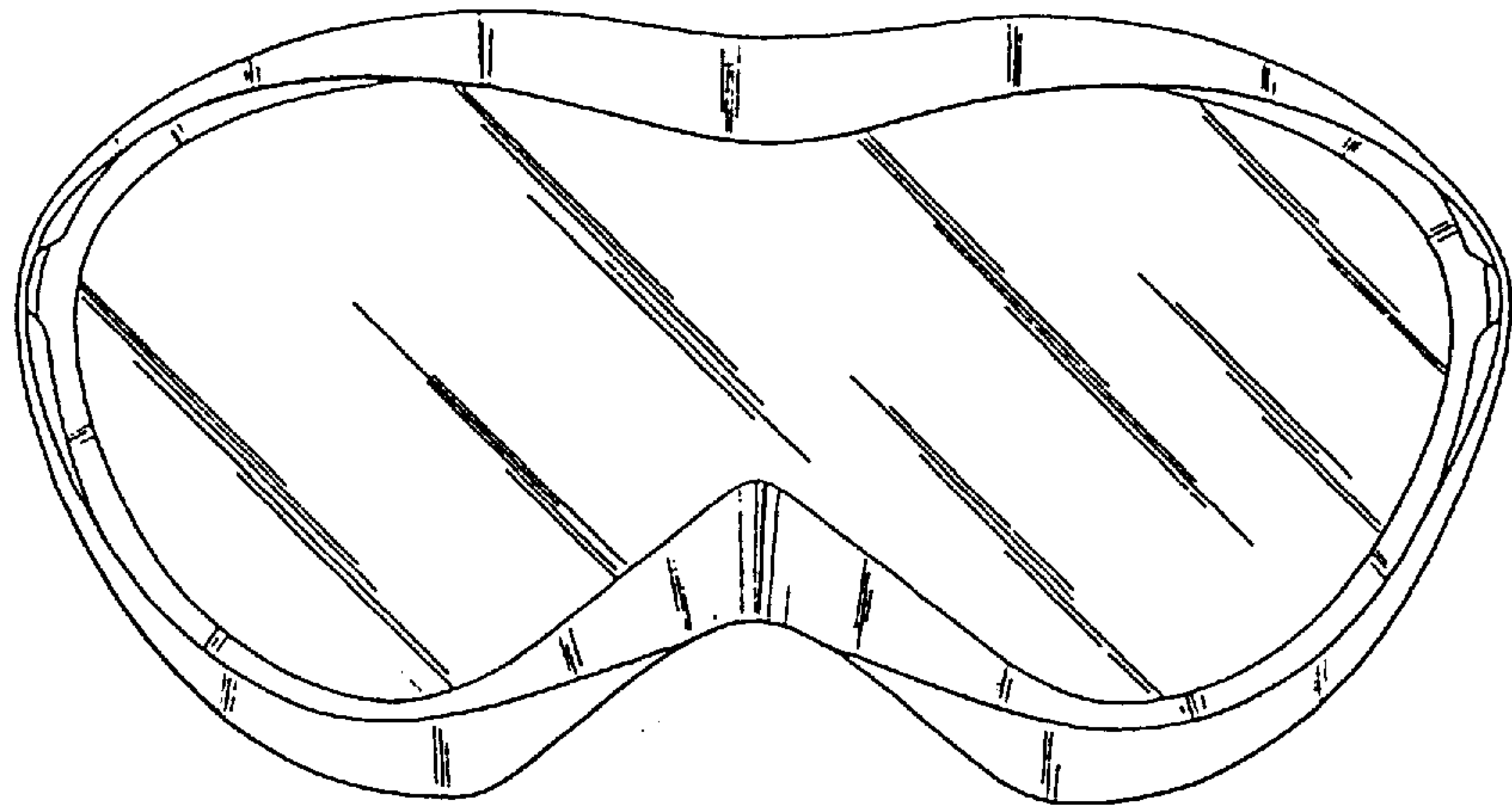


Fig. 1

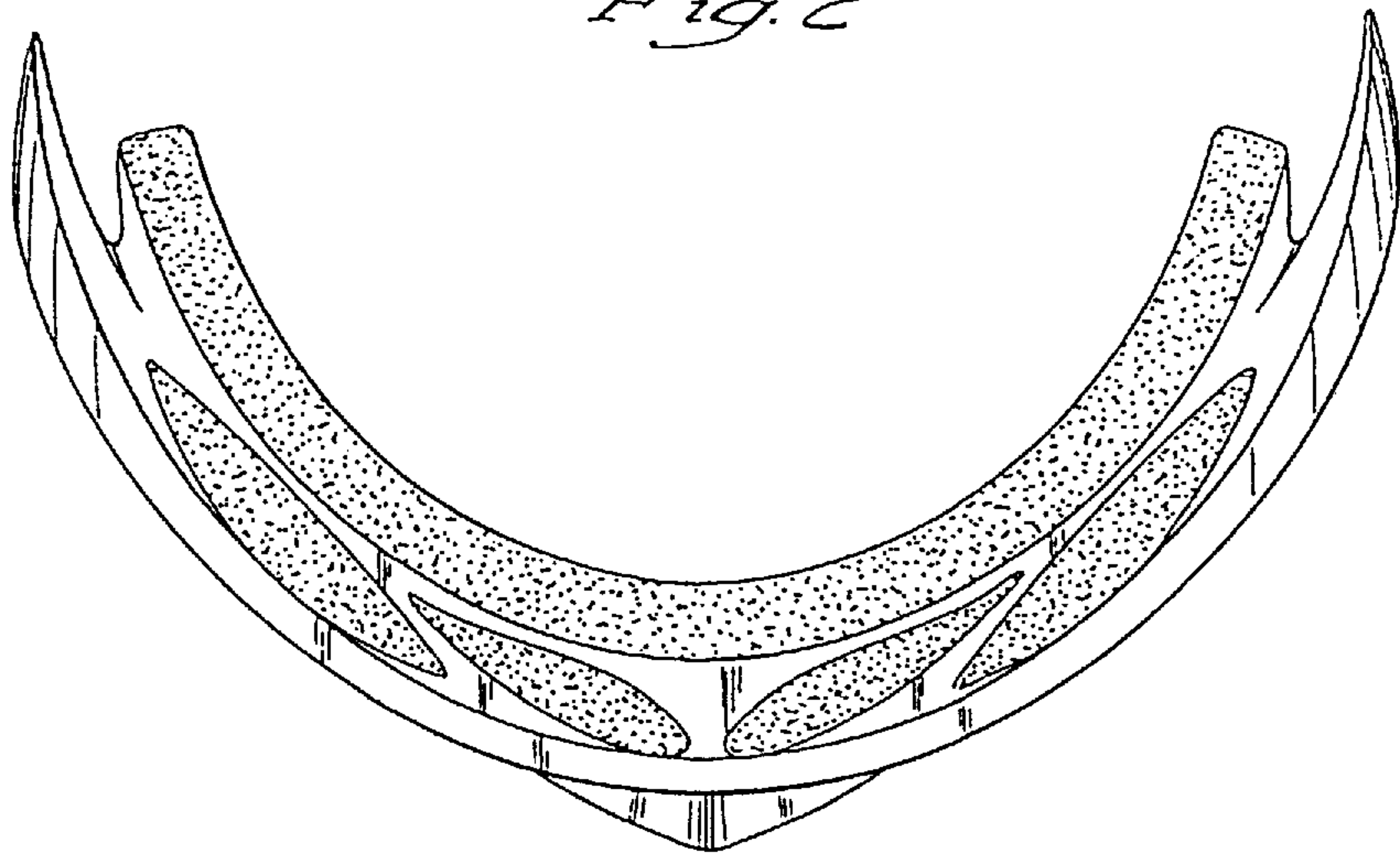


Fig. 2

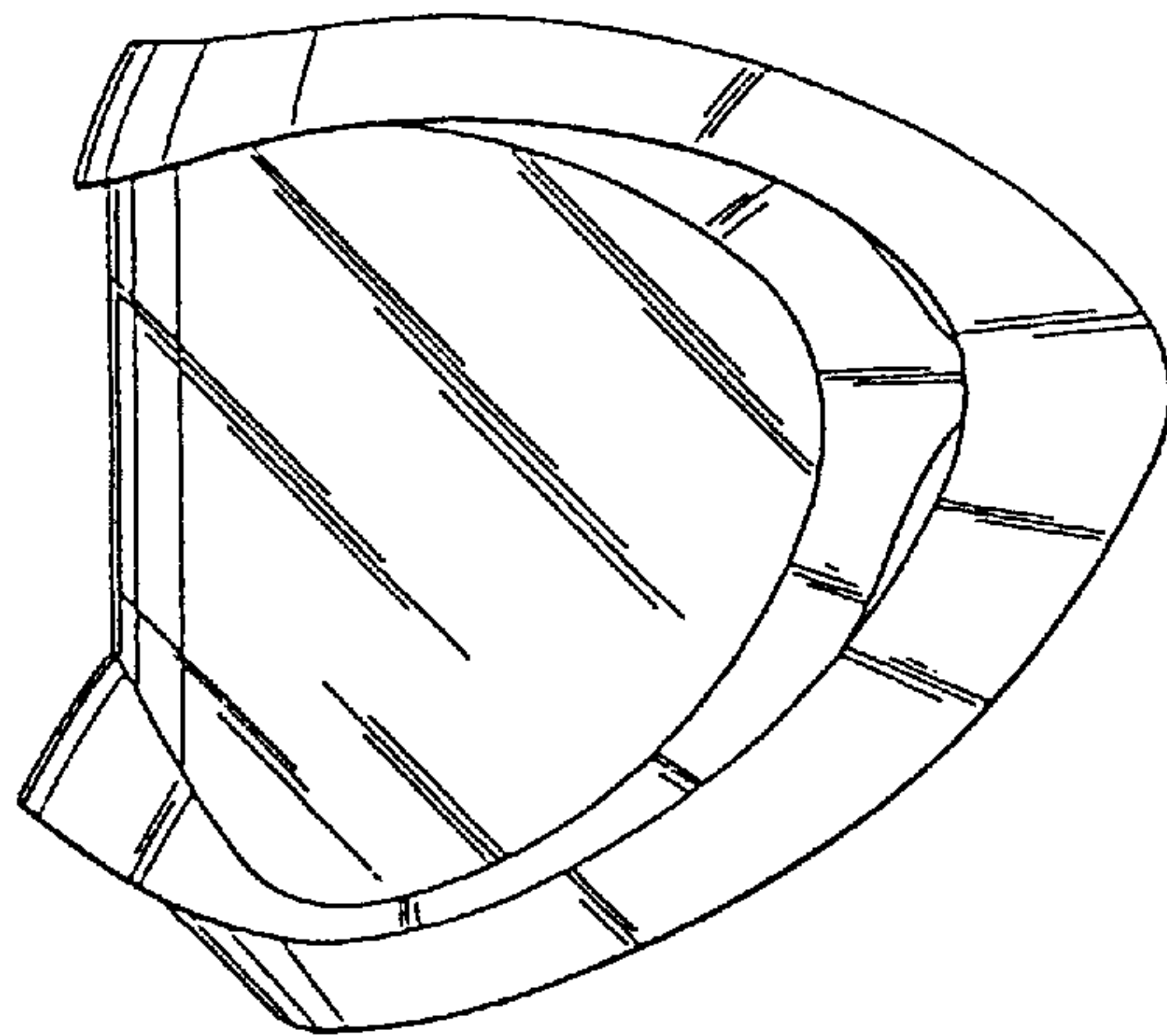


Fig. 3