



US00D403687S

United States Patent [19] Sekita

[11] **Patent Number: Des. 403,687**
[45] **Date of Patent: **Jan. 5, 1999**

[54] **VIDEO CAMERA COMBINED WITH VIDEO TAPE RECORDER**

D. 380,226 6/1997 Ohi et al. D16/202
5,442,453 8/1995 Takagi et al. 348/374

[75] Inventor: **Mie Sekita**, Tokyo, Japan

FOREIGN PATENT DOCUMENTS

8-98068 4/1996 Japan H04N 5/225

[73] Assignee: **Sony Corporation**, Tokyo, Japan

OTHER PUBLICATIONS

[**] Term: **14 Years**

Camcorder, Dec. 1993 p. 43 (Sharp VL-H100U).

[21] Appl. No.: **73,600**

Primary Examiner—Philip S. Hyder
Assistant Examiner—Adir Aronovich
Attorney, Agent, or Firm—Foley & Lardner

[22] Filed: **Jul. 11, 1997**

Related U.S. Application Data

[57] **CLAIM**

[62] Division of Ser. No. 42,427, Aug. 10, 1995, Pat. No. Des. 384,963.

The ornamental design for a video camera combined with video tape recorder, as shown and described.

[51] **LOC (6) Cl.** **16-01**

DESCRIPTION

[52] **U.S. Cl.** **D16/202**

[58] **Field of Search** D16/200-208;
348/373-376; 352/242, 243; 358/906; 396/535-543;
H04N 5/225

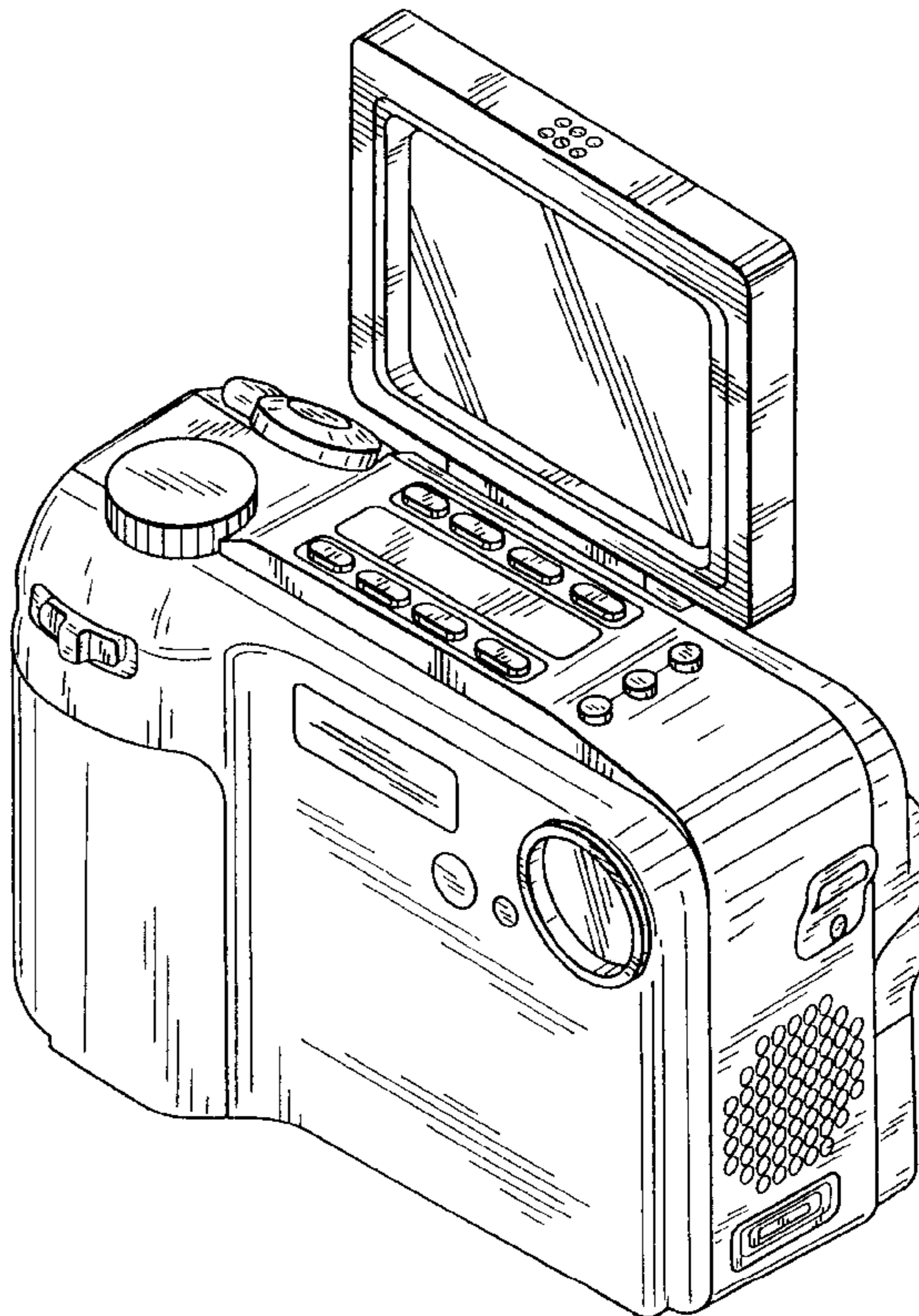
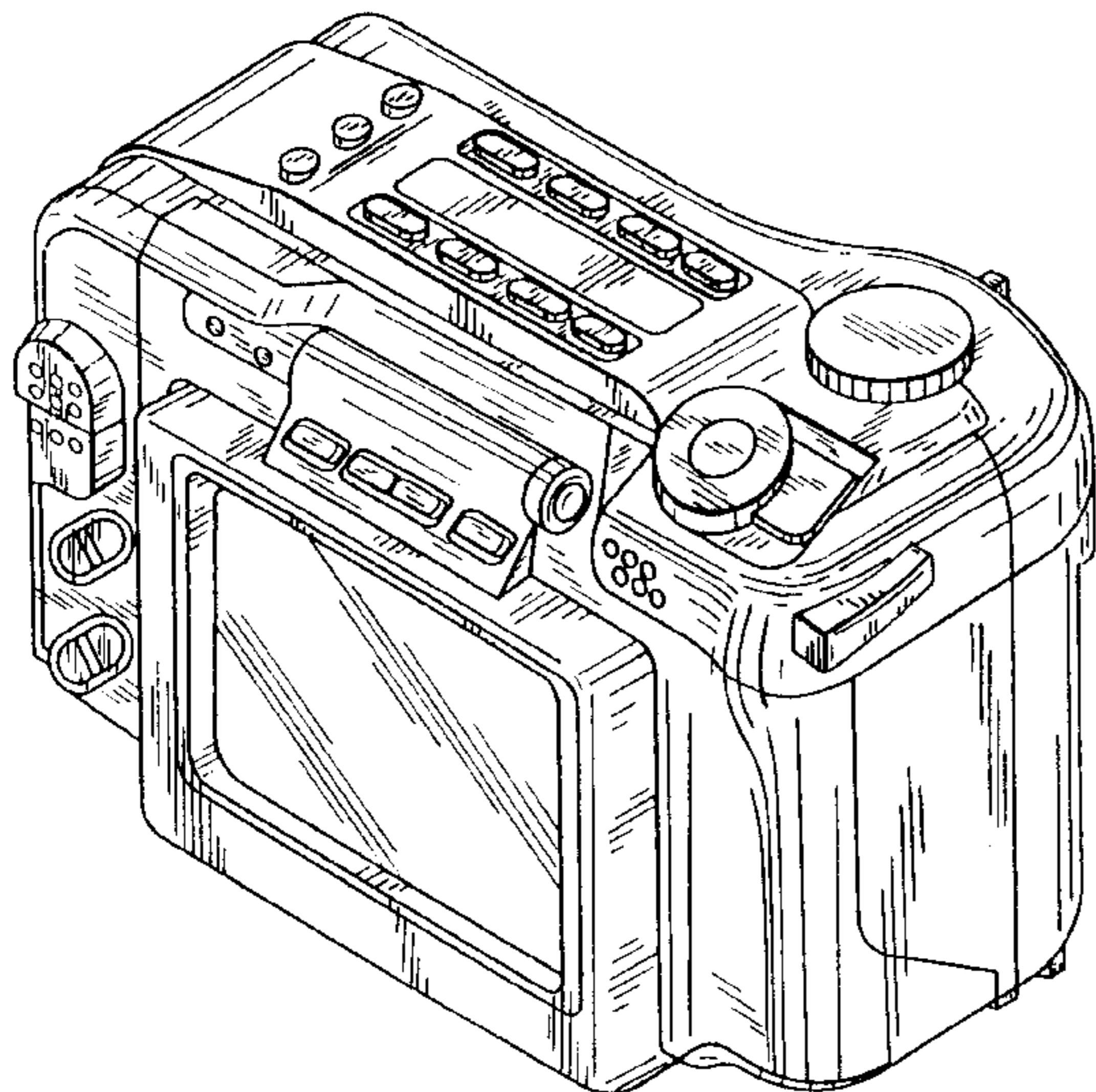
FIG. 1 is a rear perspective view of a video camera combined with video tape recorder showing my new design; FIG. 2 is a rear perspective view thereof, the display portion shown in the alternate position; FIG. 3 is a front perspective view thereof, the display portion shown in the second alternate position; FIG. 4 is a top plan view thereof; FIG. 5 is a left side elevational view thereof; FIG. 6 is a front elevational view thereof; FIG. 7 is a right elevational view thereof; FIG. 8 is a rear elevational view thereof; and, FIG. 9 is a bottom plan view thereof.

[56] References Cited

U.S. PATENT DOCUMENTS

D. 356,326 3/1995 Miyashita D16/202
D. 361,079 8/1995 Ono D16/202
D. 361,583 8/1995 Mori et al. D16/202
D. 365,116 12/1995 Ohi et al. D16/202
D. 366,269 1/1996 Ohi et al. D16/202
D. 366,492 1/1996 Kume et al. D16/202
D. 372,721 8/1996 Tanaka D16/202
D. 374,880 10/1996 Kataoka D16/202

1 Claim, 5 Drawing Sheets



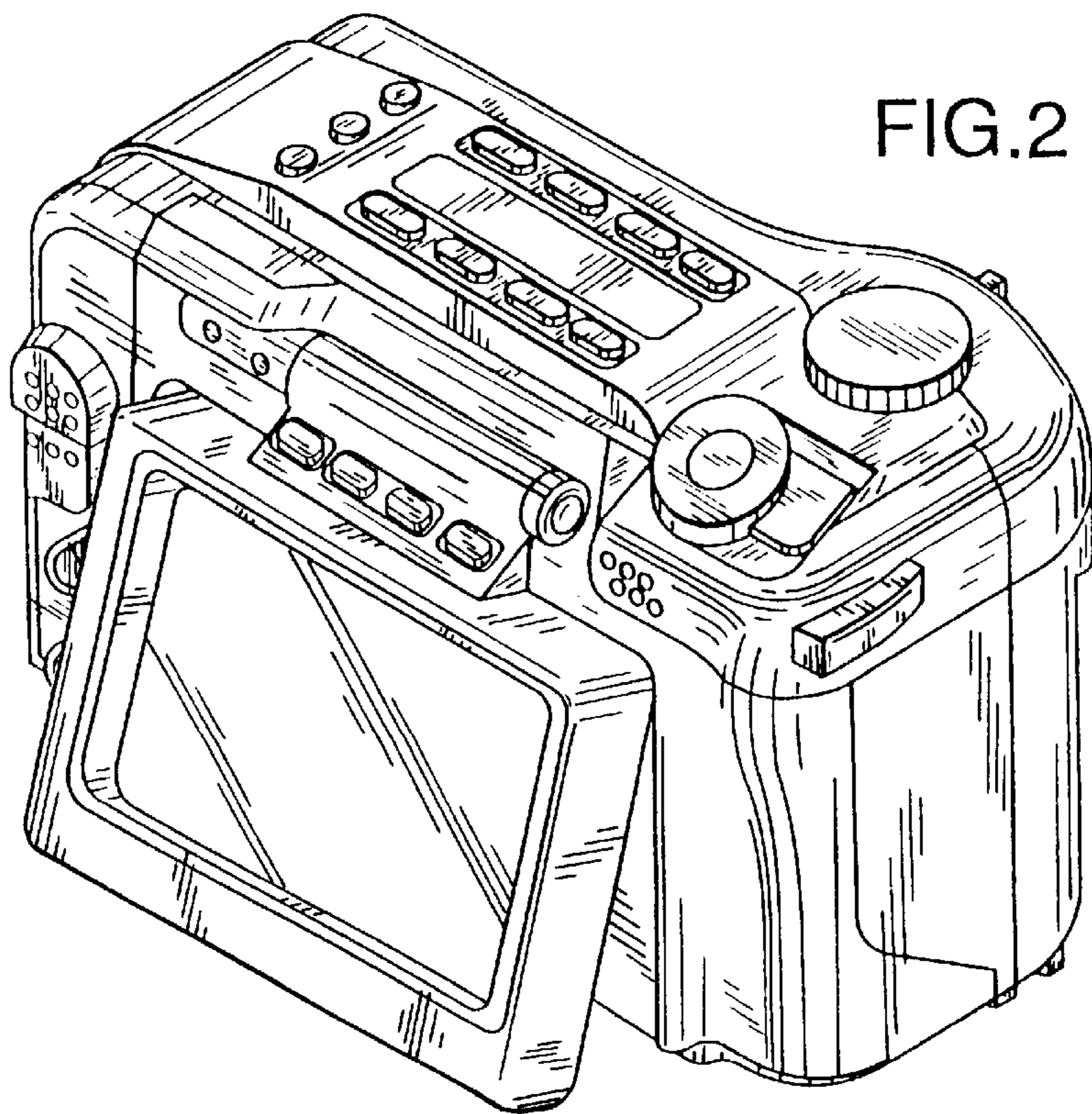
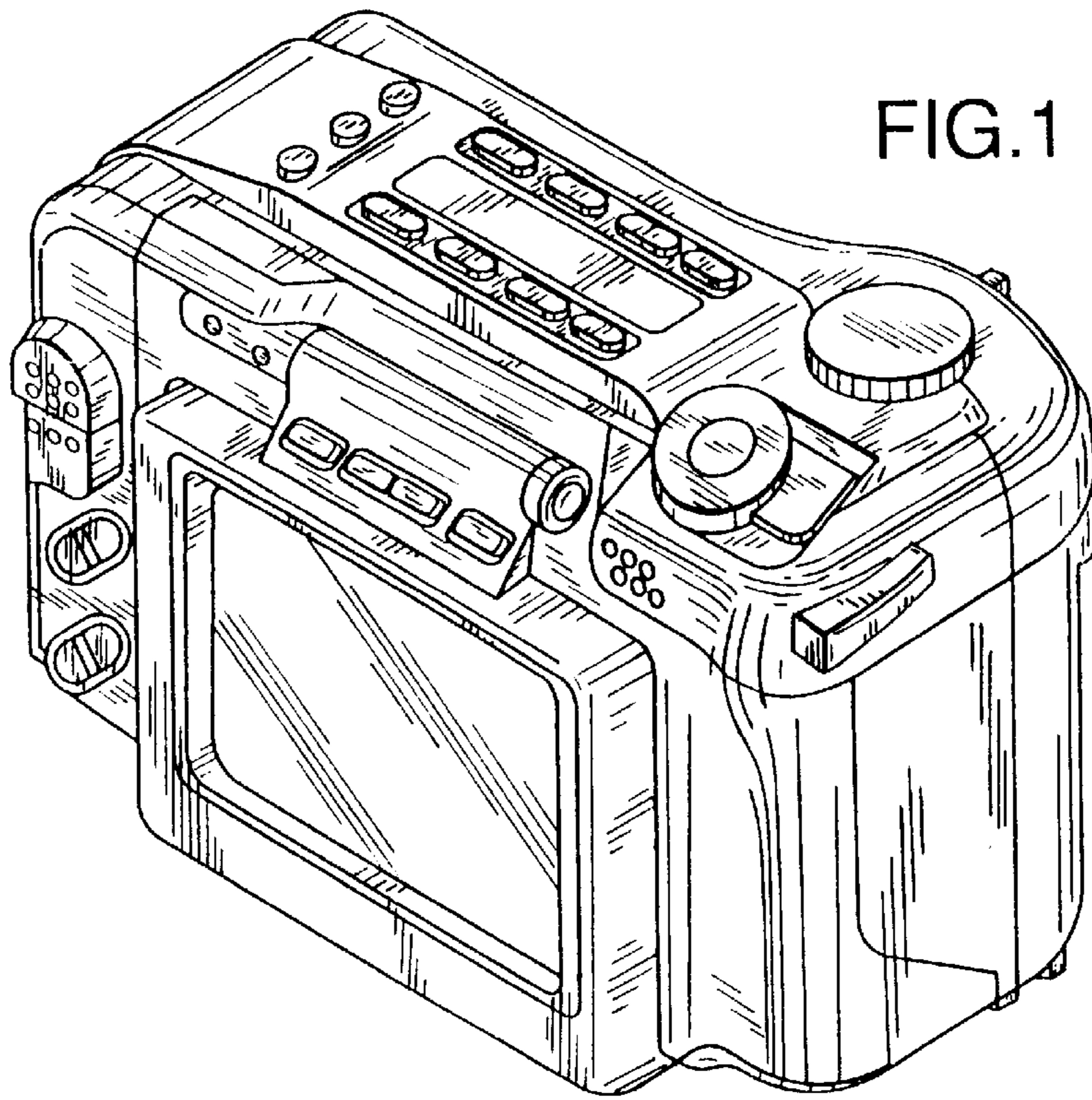


FIG.3

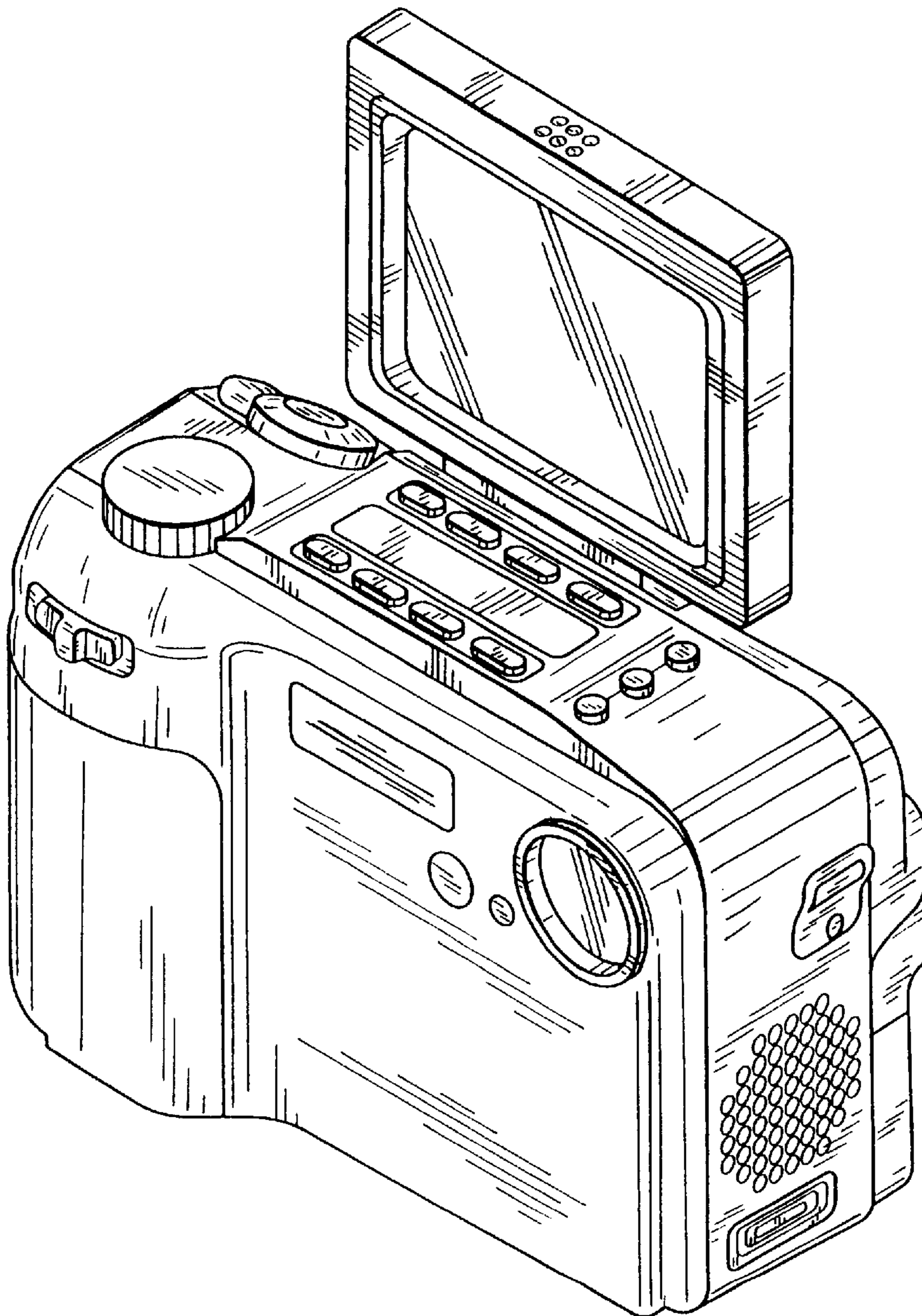


FIG.4

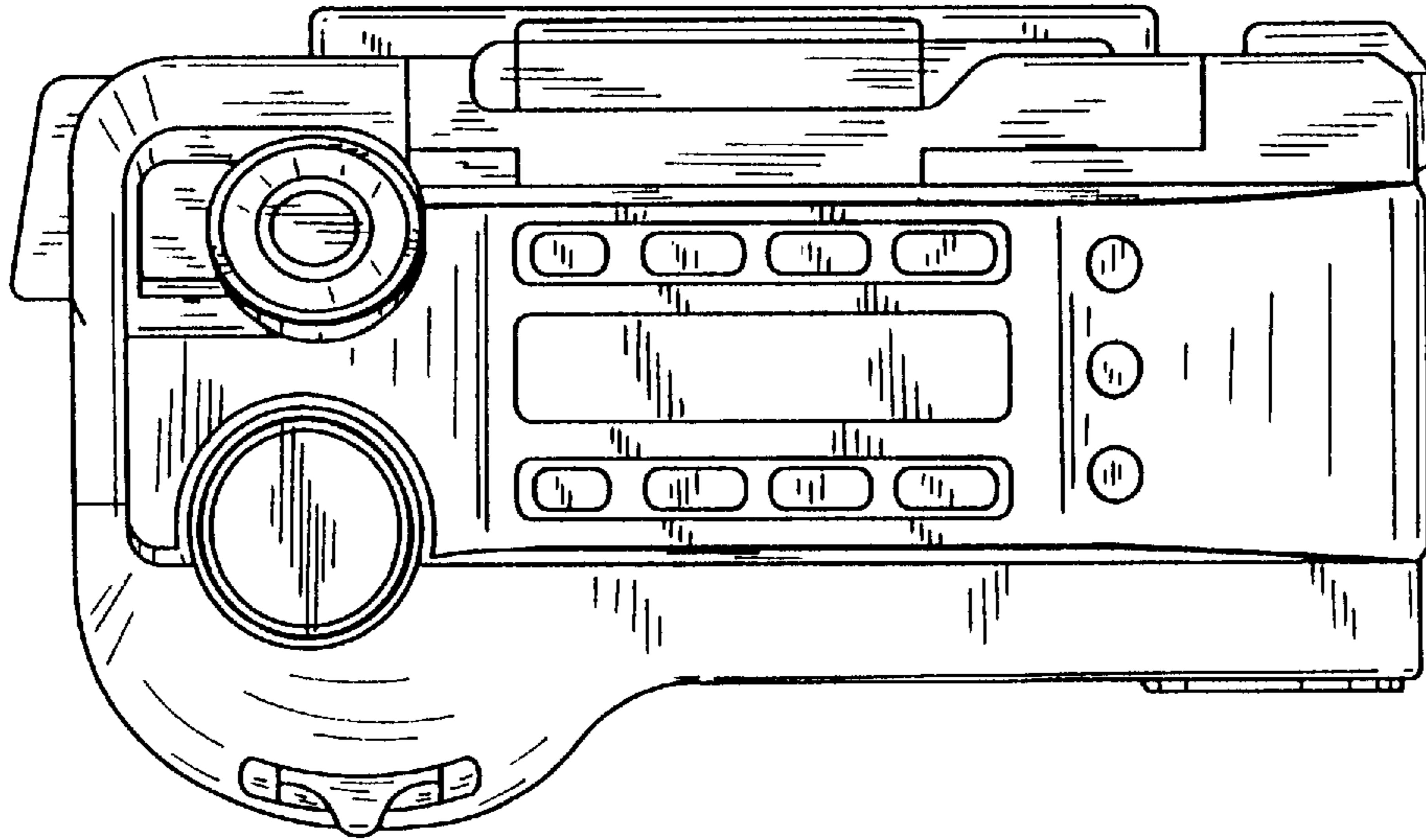


FIG.9

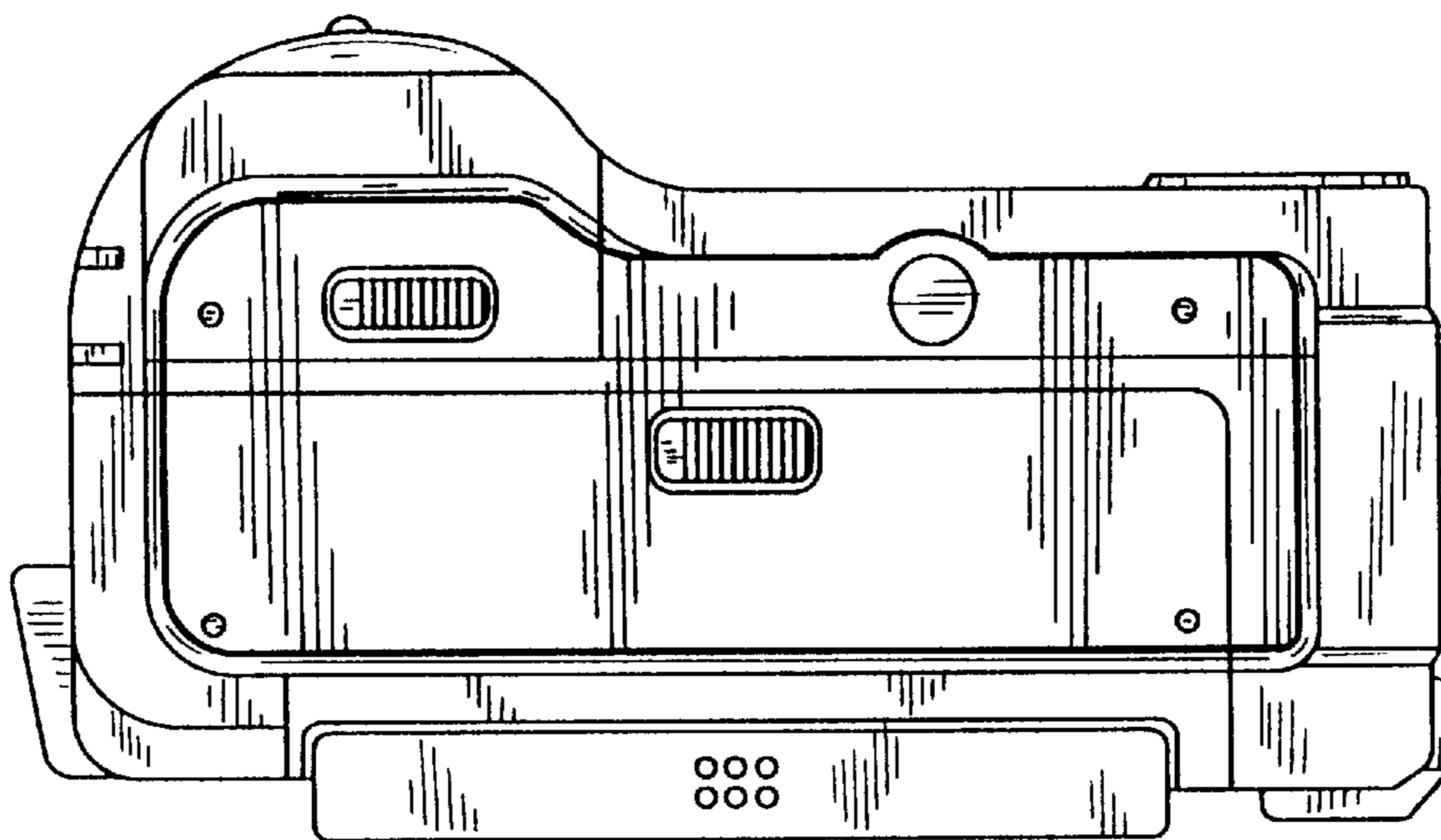


FIG.5

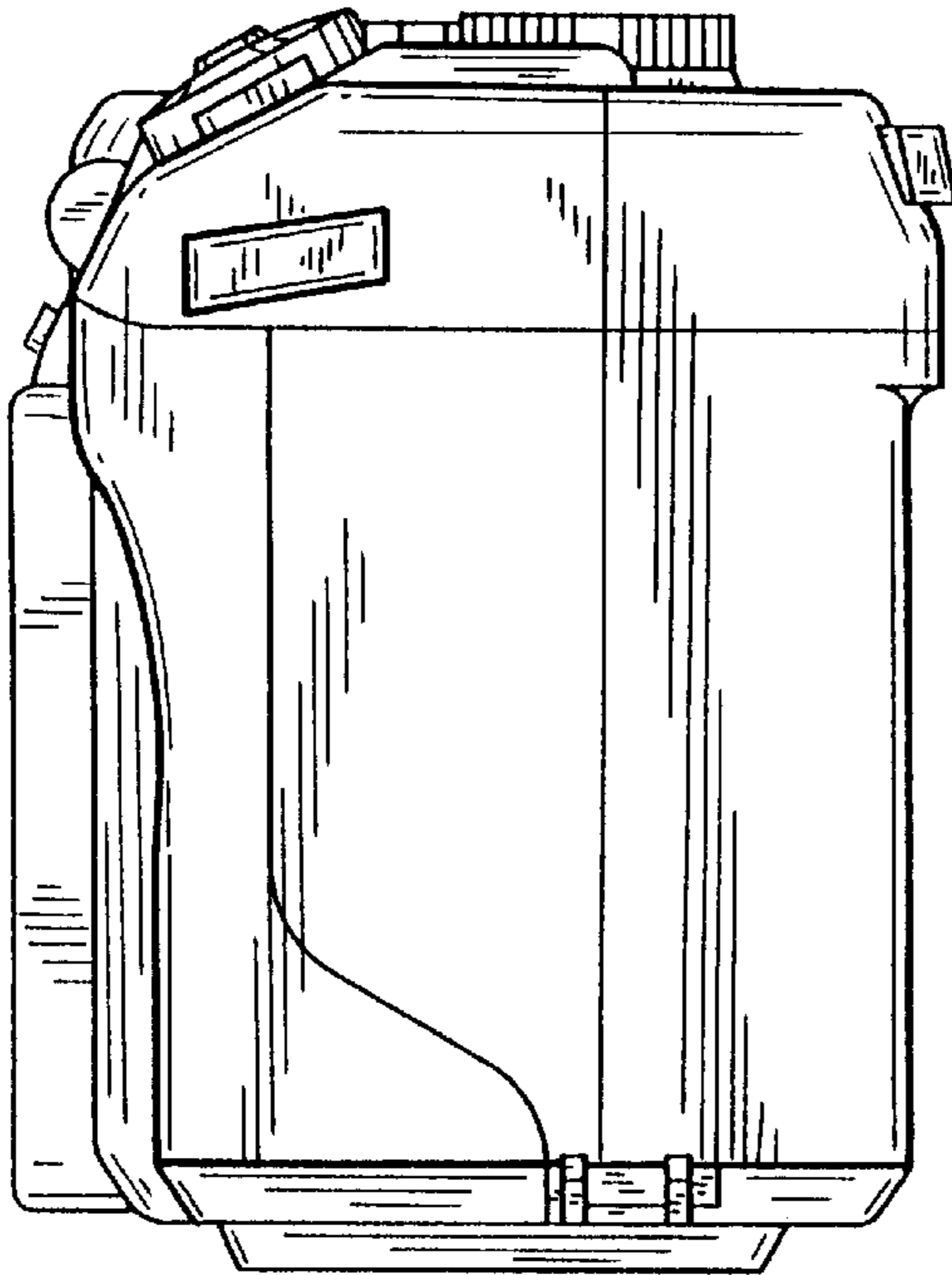


FIG.7

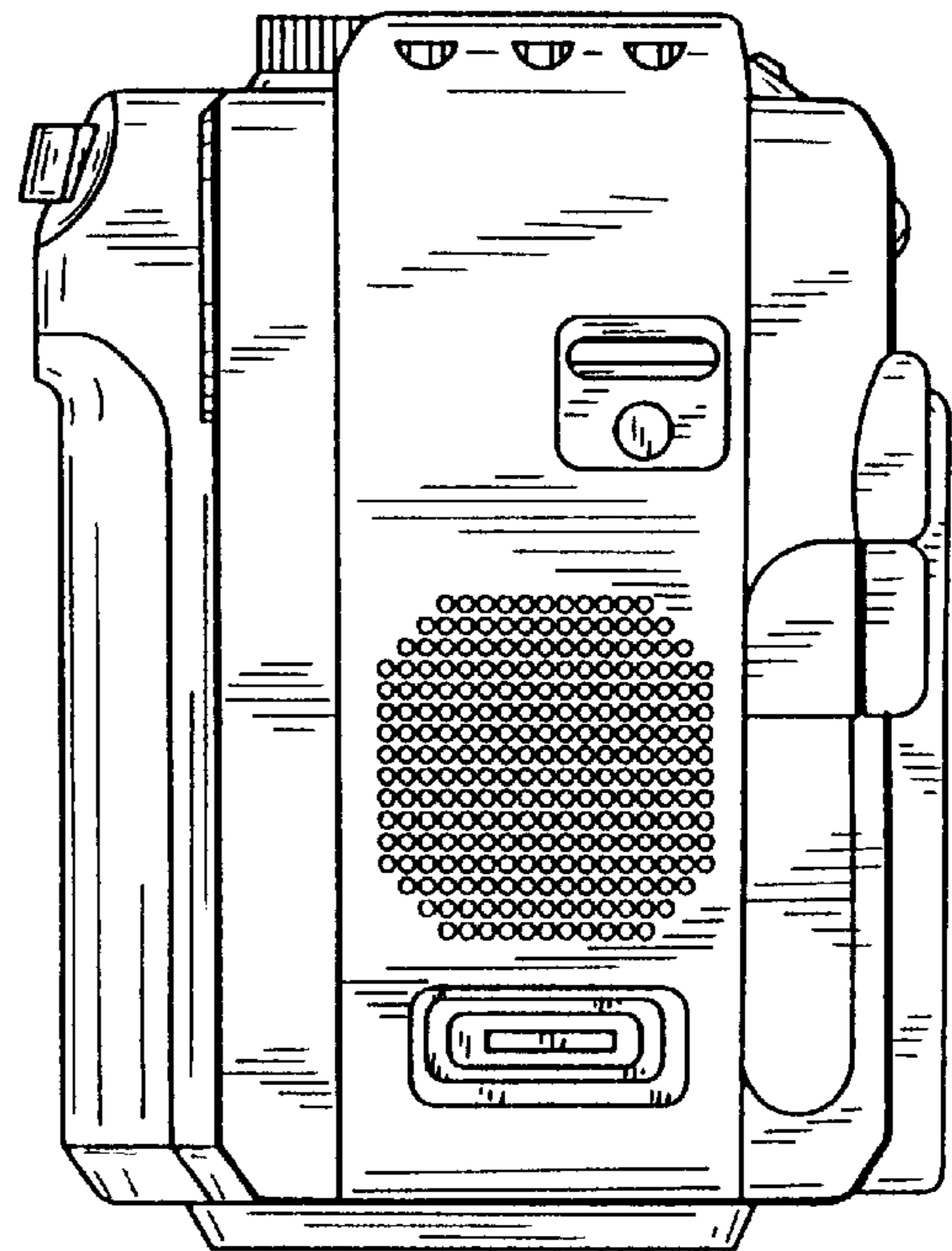


FIG.6

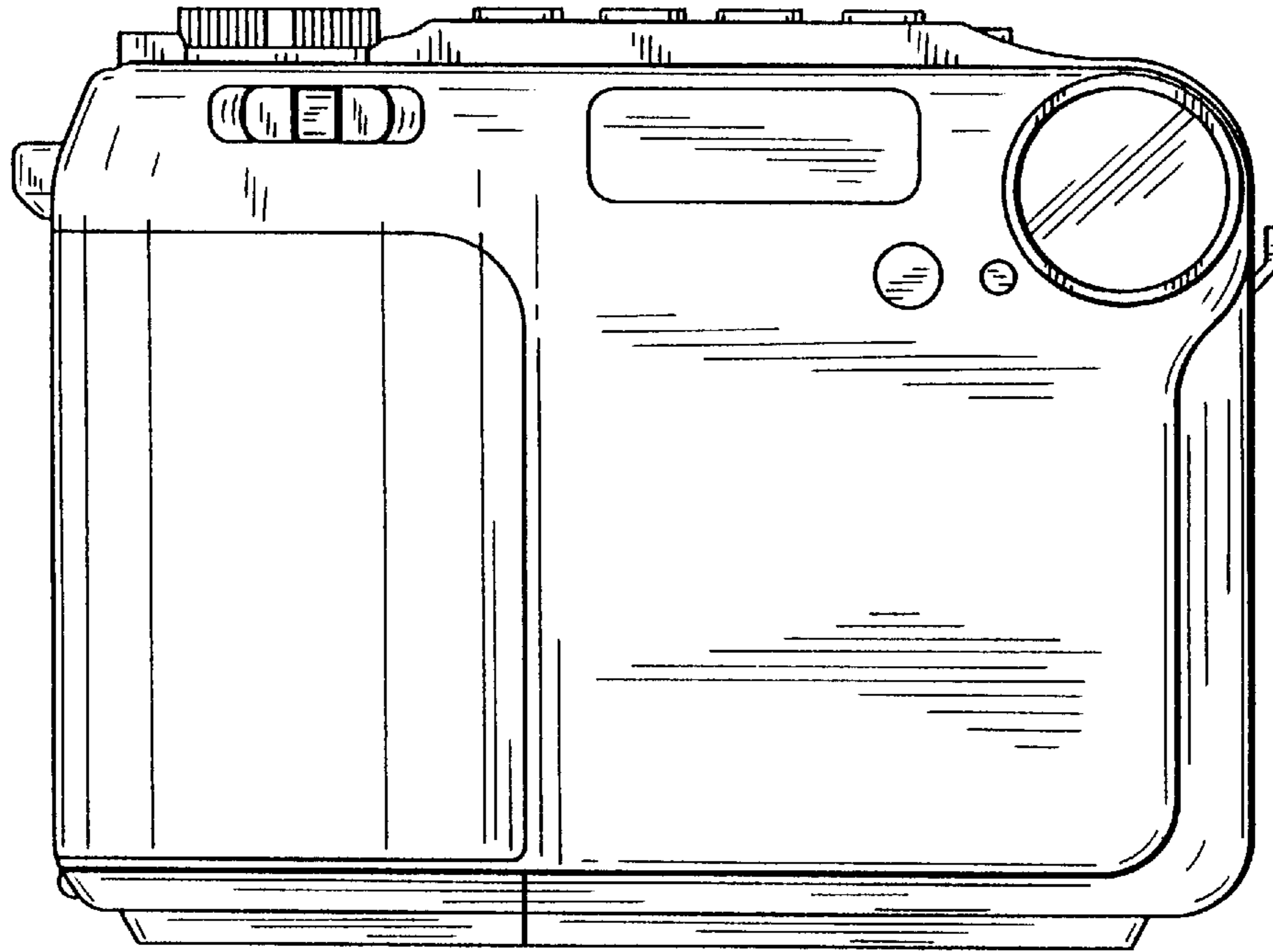


FIG.8

