



US00D403684S

# United States Patent [19] Oishi

[11] **Patent Number: Des. 403,684**

[45] **Date of Patent: \*\*Jan. 5, 1999**

[54] **OUTBOARD MOTOR**

[75] Inventor: **Yoshihiro Oishi**, Hamamatsu, Japan

[73] Assignee: **Suzuki Kabushiki Kaisha**, Japan

[\*\*] Term: **14 Years**

[21] Appl. No.: **66,174**

[22] Filed: **Feb. 4, 1997**

[30] **Foreign Application Priority Data**

Oct. 25, 1996 [JP] Japan ..... 8-32236

[51] **LOC (6) Cl.** ..... **15-01**

[52] **U.S. Cl.** ..... **D15/4**

[58] **Field of Search** ..... D15/1, 4-5; 440/53,  
440/57, 61, 495, 900; 248/640-643

[56] **References Cited**

**U.S. PATENT DOCUMENTS**

- D. 272,357 1/1984 Hall et al. .
- D. 272,358 1/1984 Hall et al. .
- D. 274,909 7/1984 Ferguson et al. .
- D. 275,394 9/1984 Ferguson et al. .
- D. 275,487 9/1984 Ferguson et al. .
- D. 286,157 10/1986 Mikado et al. .
- D. 289,170 4/1987 Mikado et al. .
- D. 323,508 1/1992 Hirshberg et al. .
- D. 332,265 1/1993 Osumi .

- D. 359,290 6/1995 Takeuchi ..... D15/1
- 4,177,747 12/1979 Pichl ..... 248/642 X
- 4,352,666 10/1982 McGowan .
- 4,395,238 7/1983 Payne .
- 5,201,680 4/1993 Binversie et al. .

**OTHER PUBLICATIONS**

Catalog: Suzuki DF 15/9.9 published Sep. 1994.

*Primary Examiner*—Ted Shooman

*Assistant Examiner*—Nanda Bondade

*Attorney, Agent, or Firm*—Gary M. Nath; Nath & Associates

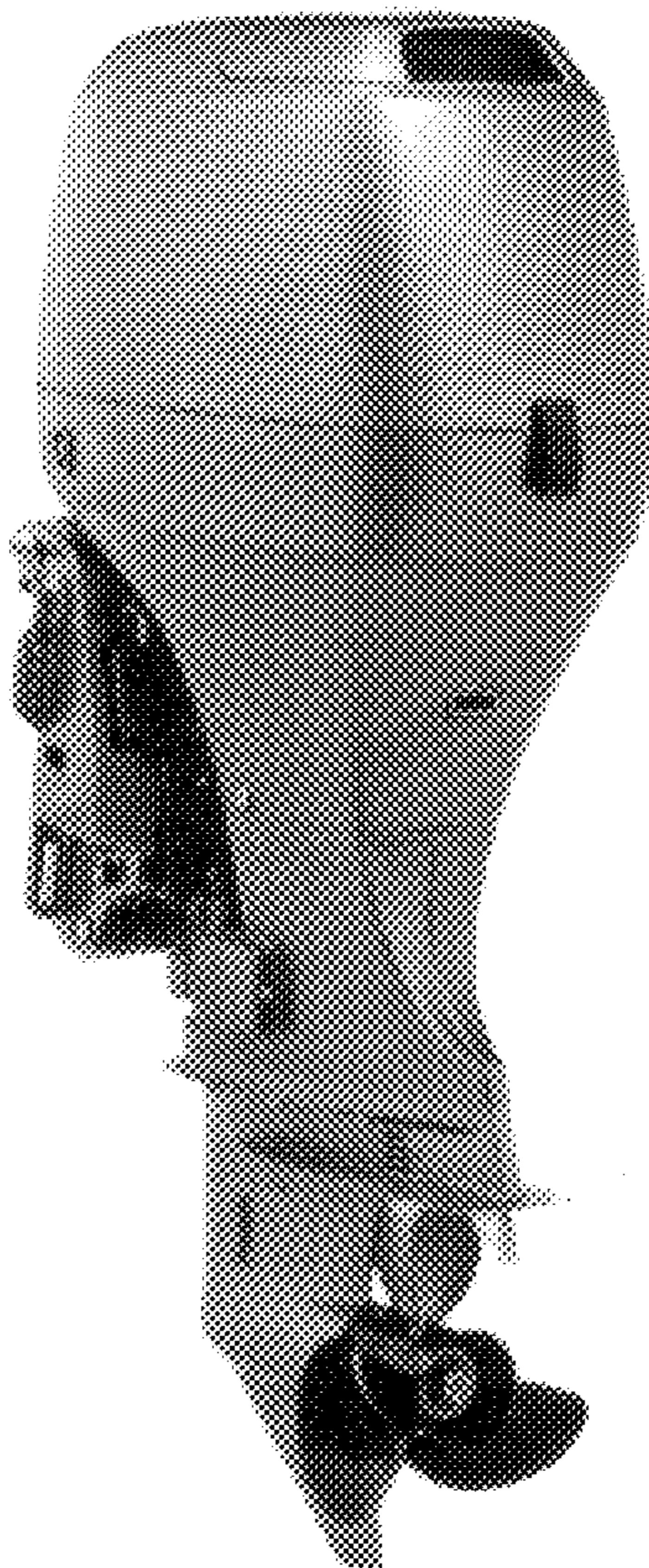
[57] **CLAIM**

The ornamental design for a outboard motor, as shown and described.

**DESCRIPTION**

FIG. 1 is a front and left side perspective view of an outboard motor showing my new design;  
 FIG. 2 is a rear and right side perspective view thereof;  
 FIG. 3 is a front elevational view thereof;  
 FIG. 4 is a rear elevational view thereof;  
 FIG. 5 is a top plan view thereof;  
 FIG. 6 is a bottom plan view thereof;  
 FIG. 7 is a right side elevational view thereof; and,  
 FIG. 8 is a left side elevational view thereof.

**1 Claim, 8 Drawing Sheets**



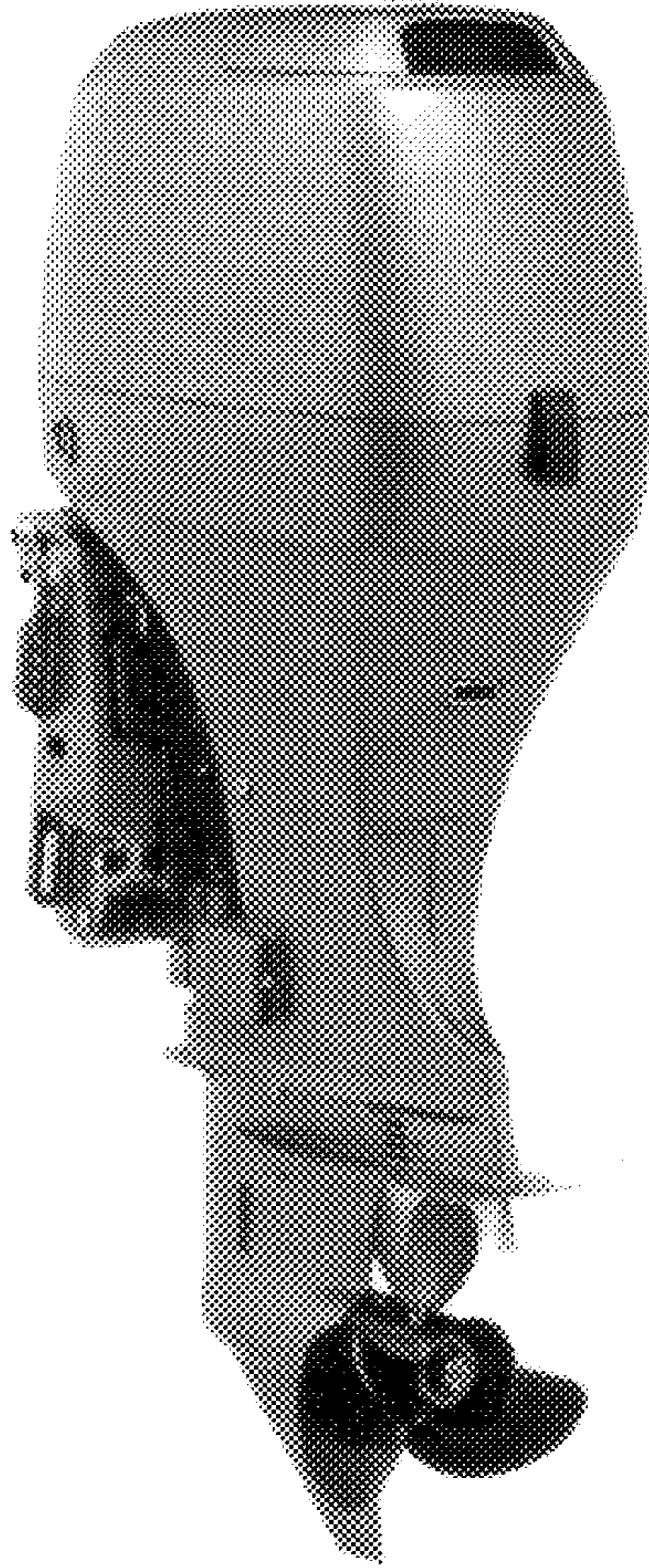


FIG. 1

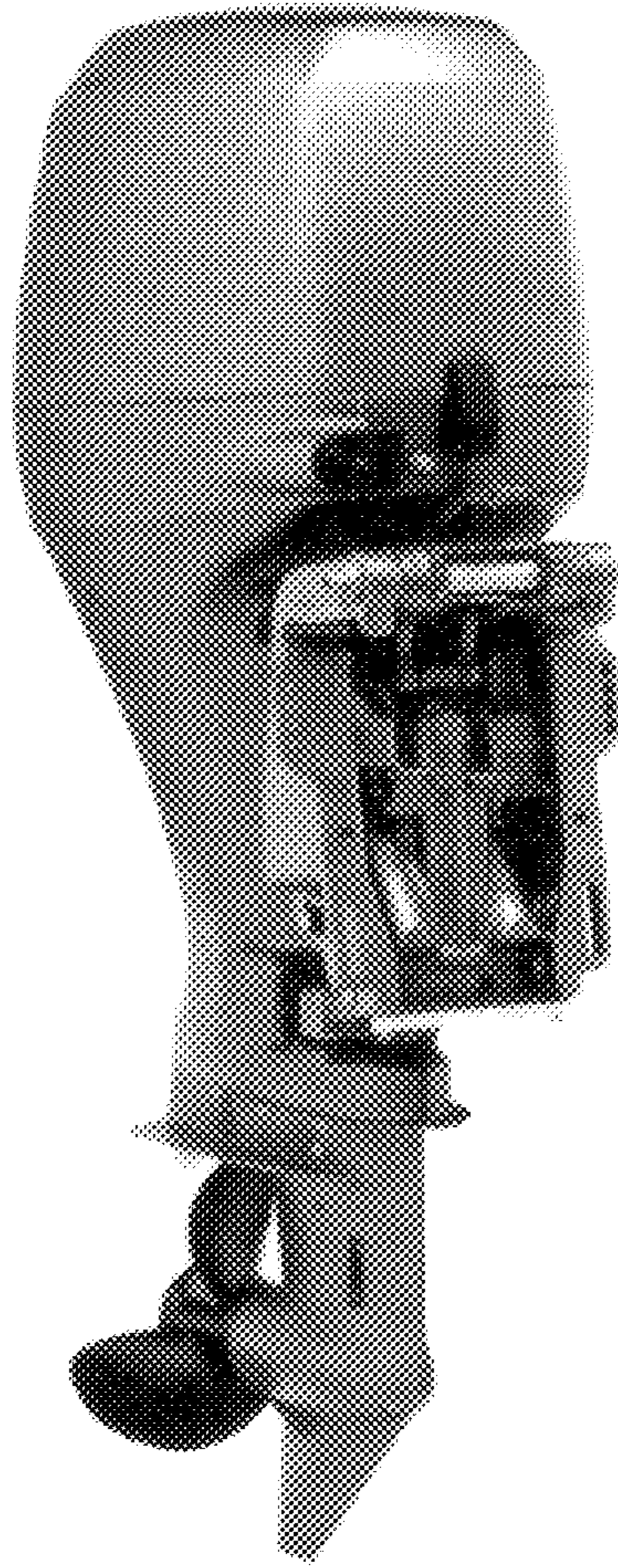


FIG. 2

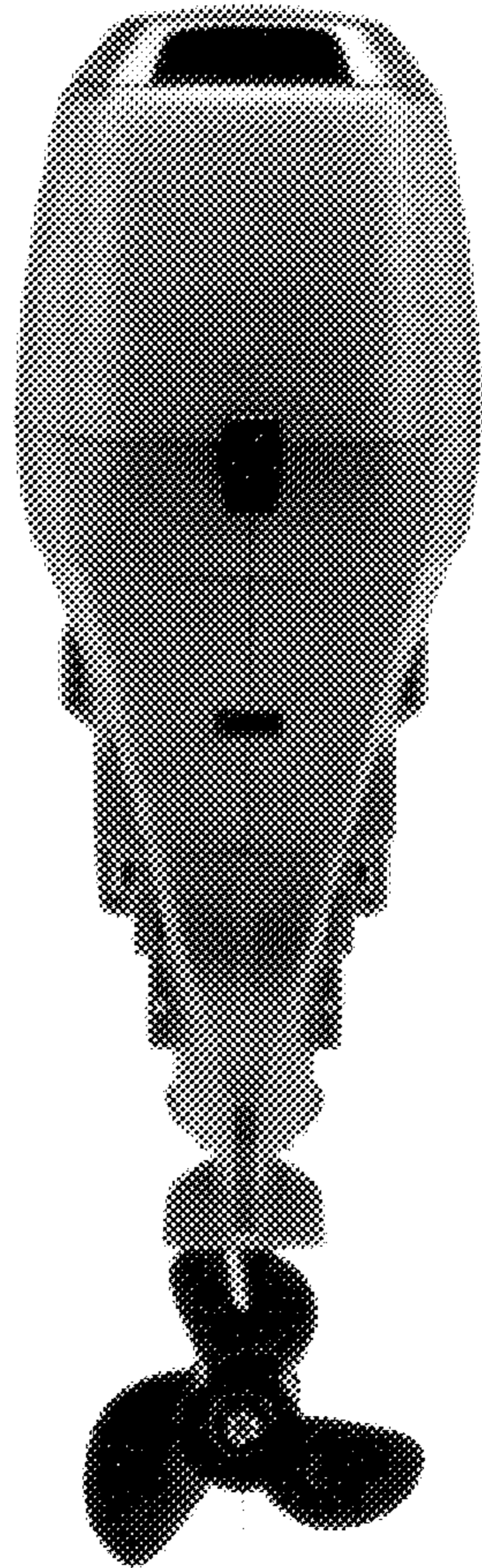


FIG. 3

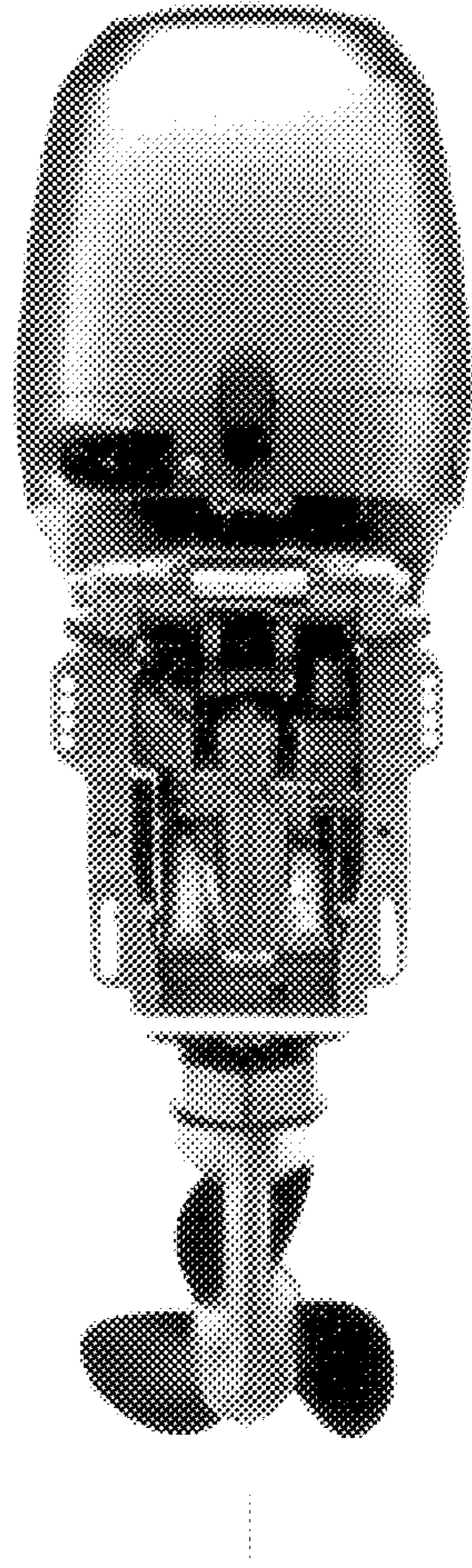


FIG. 4

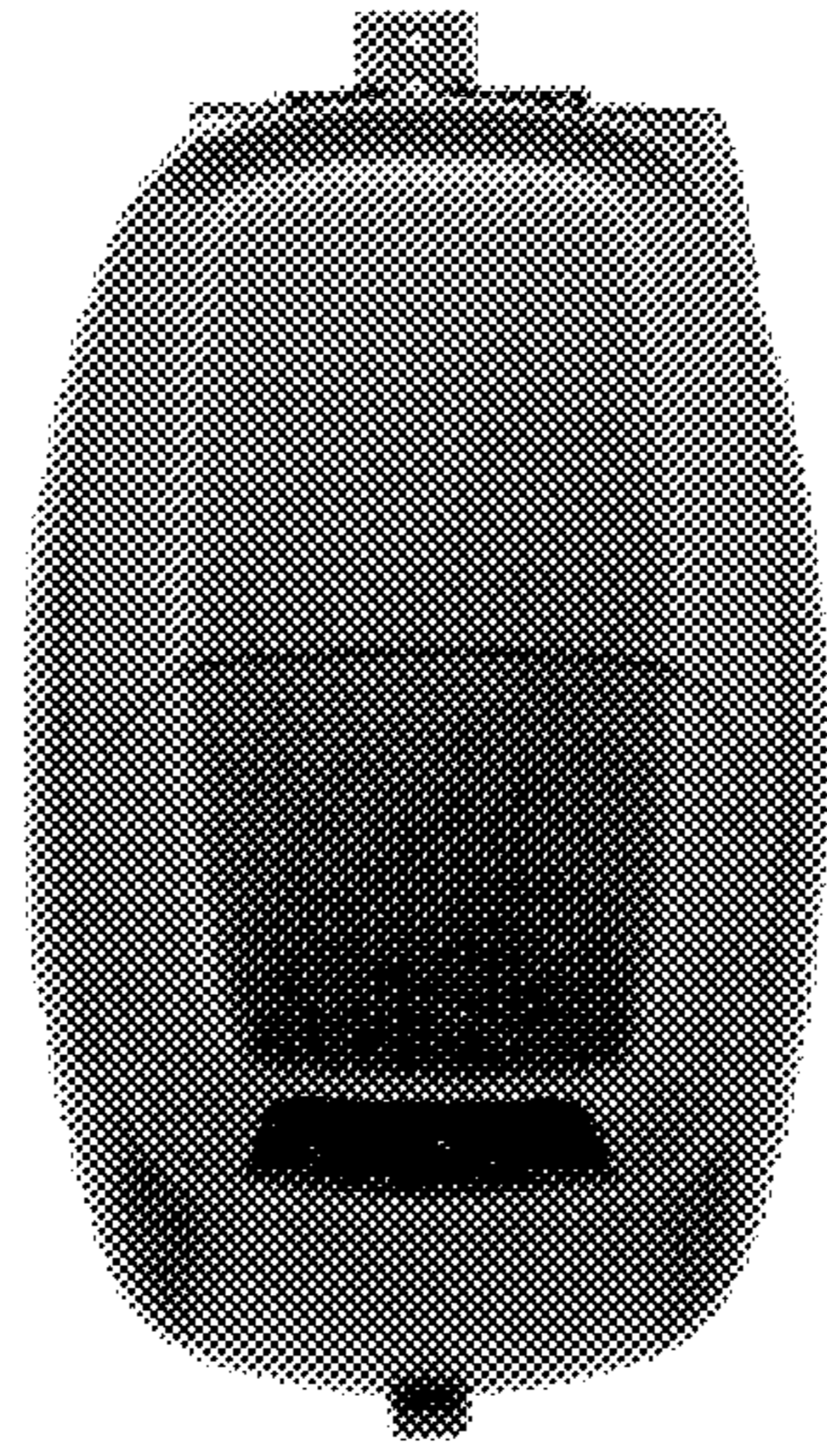


FIG. 5

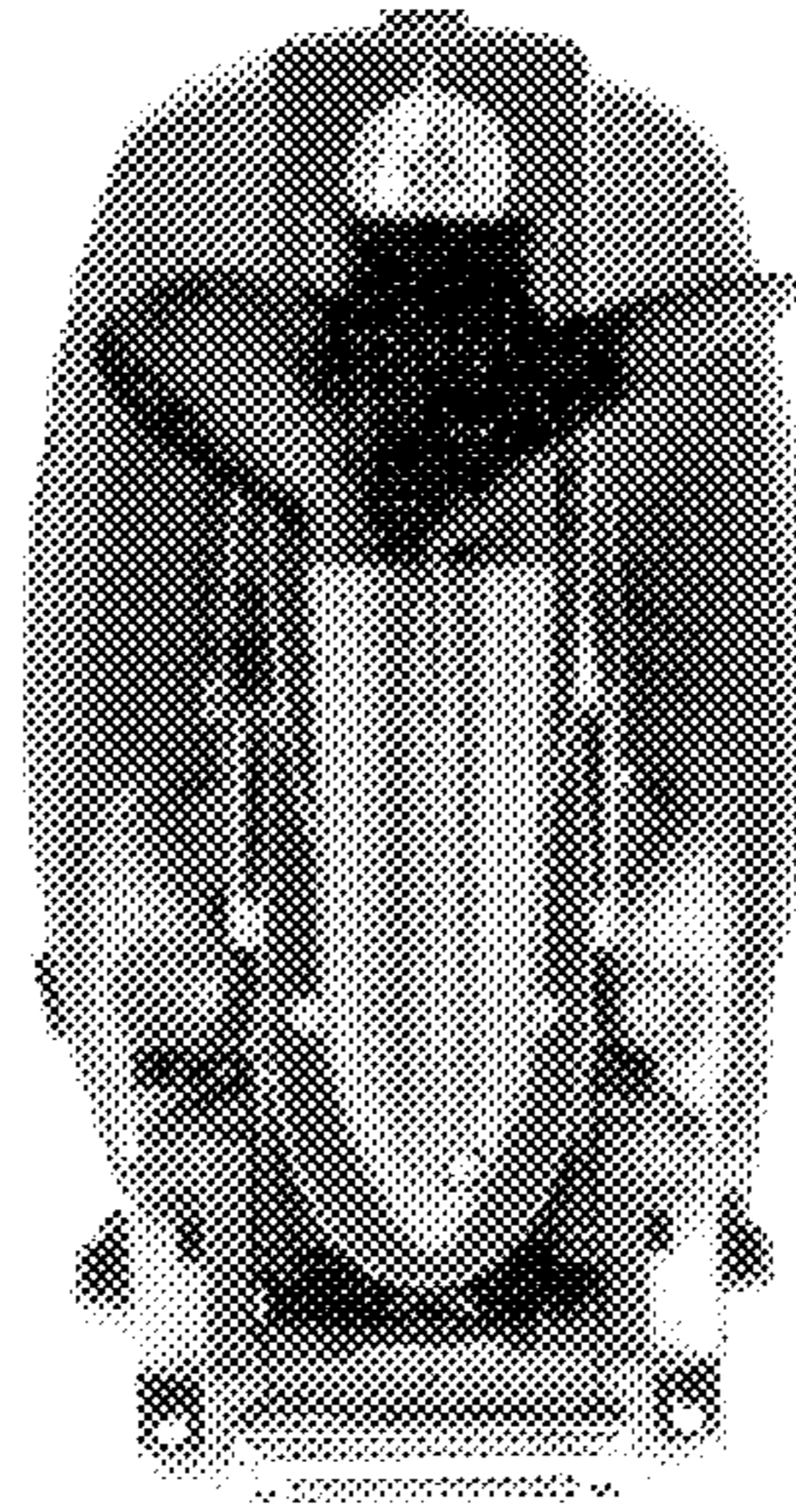


FIG. 6

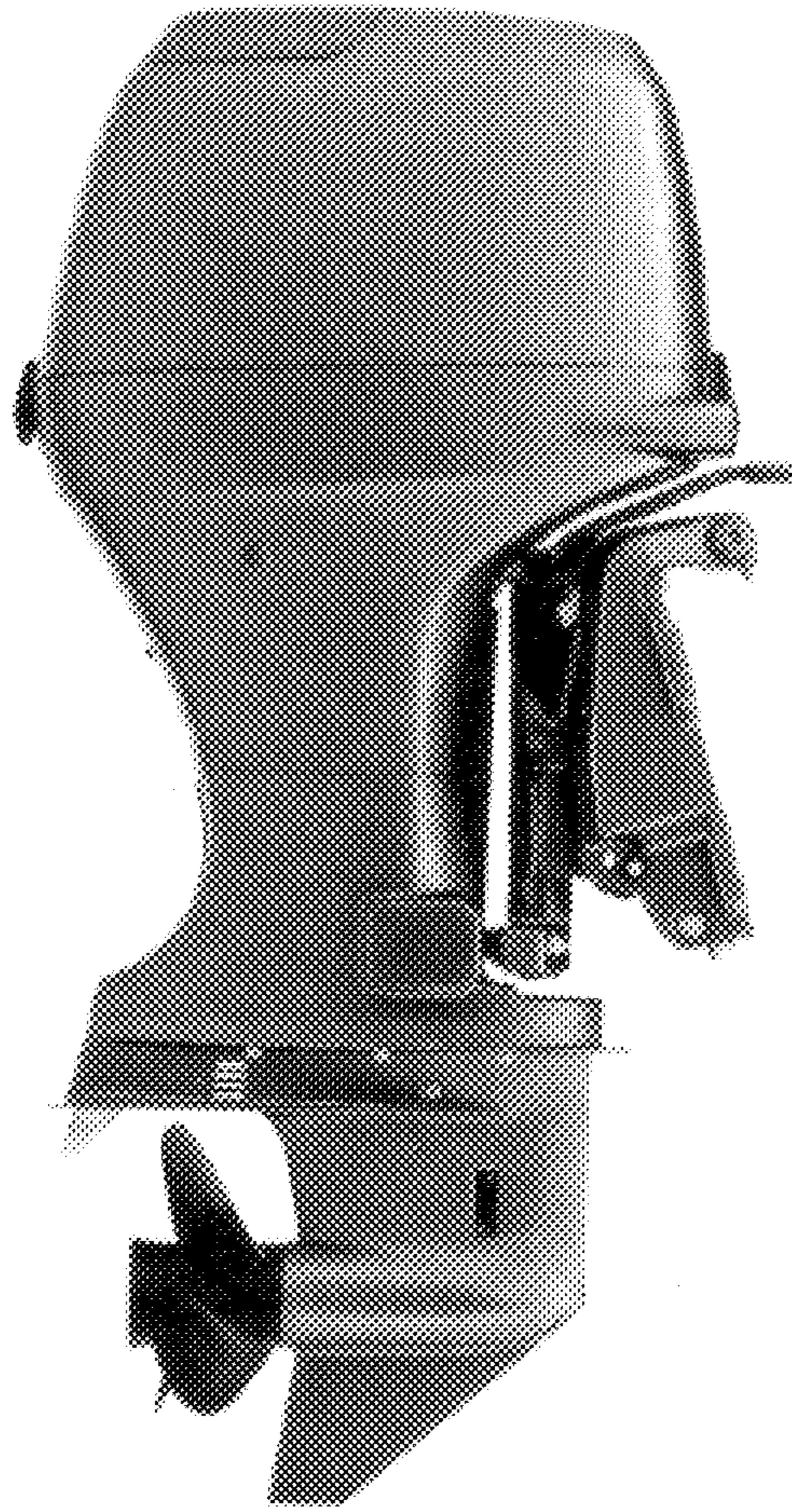


FIG. 7



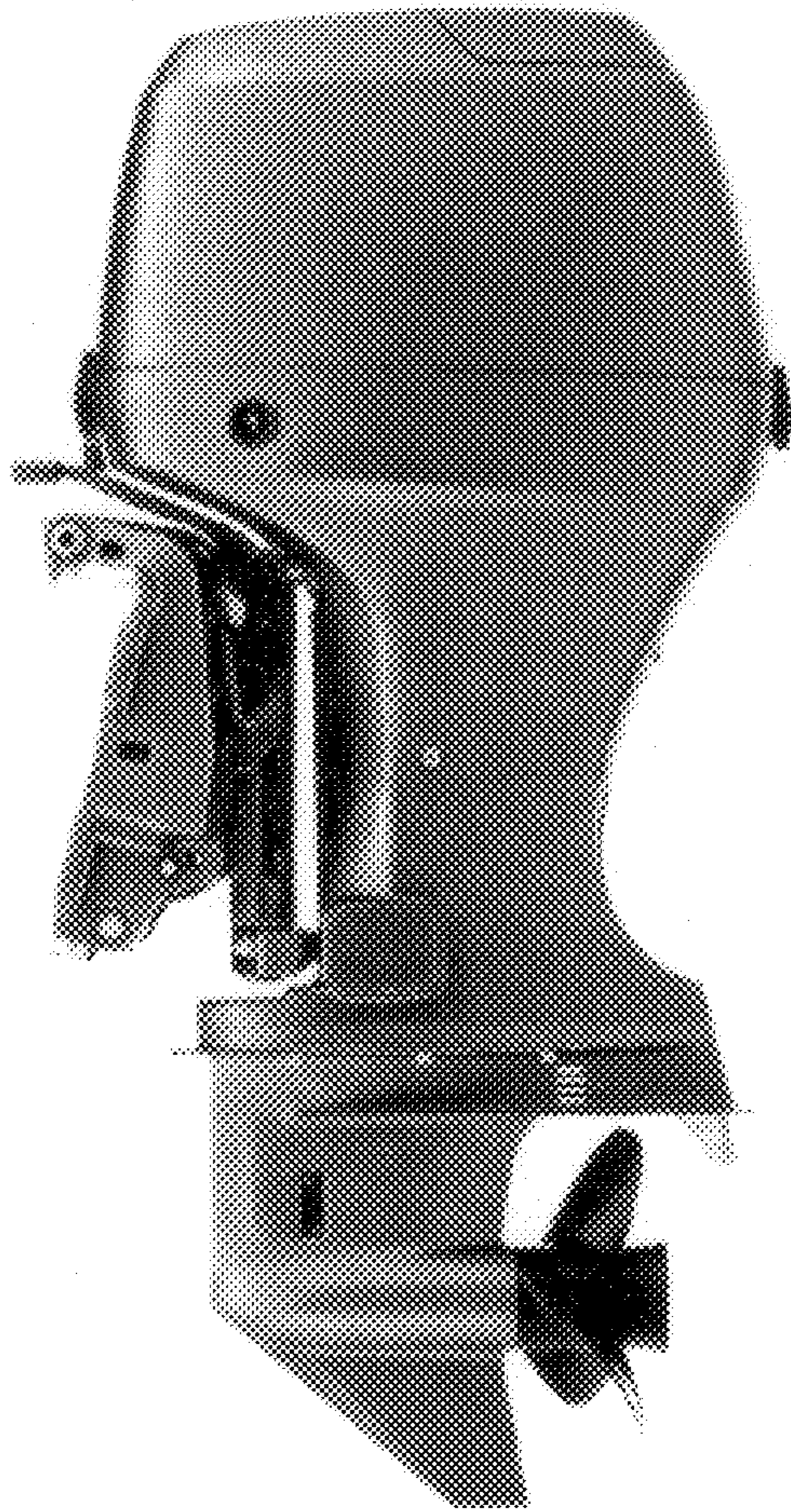


FIG. 8