



US00D403682S

United States Patent [19]

Brehmer et al.

[11] Patent Number: **Des. 403,682**

[45] Date of Patent: ****Jan. 5, 1999**

[54] MICROWAVE ANTENNA COVER

[75] Inventors: **Todd G. Brehmer**, San Jose; **John M. Wachsman**, Pleasanton, both of Calif.

[73] Assignee: **Pacific Monolithics, Inc.**, Sunnyvale, Calif.

[**] Term: **14 Years**

[21] Appl. No.: **66,558**

[22] Filed: **Feb. 11, 1997**

[51] LOC (6) Cl. **14-03**

[52] U.S. Cl. **D14/230**

[58] Field of Search D14/230-238, D14/299; D6/610-611; 52/222, 149; 150/154-155, 901, 158; 254/222-223; 343/704, 720, 781 R, 840-842, 824, 851, 866, 872-873, 907-908, 767, 770-771

[56] References Cited

U.S. PATENT DOCUMENTS

- D. 99,977 6/1936 Smith D14/234
- D. 122,926 10/1940 Lear D14/234
- D. 128,025 7/1941 Emde D14/230

- D. 184,470 2/1959 Zucconi D14/230
- D. 353,819 12/1994 Klarich D14/230
- D. 391,577 7/1996 Brehmer et al. D14/230
- 2,361,953 11/1944 McDonald, Jr. D14/230
- 2,627,026 1/1953 Kandoian et al. D14/230
- 2,755,465 7/1956 Ramsay D14/236

Primary Examiner—Ruth McInroy
Attorney, Agent, or Firm—Anderson & Adamson

[57] CLAIM

The ornamental design for a microwave antenna cover, as shown and described.

DESCRIPTION

FIG. 1 is a top plan view of a microwave antenna cover, showing our new design, the bottom being a mirror image; FIG. 2 is a front elevational view thereof, the rear being a mirror image; FIG. 3 is a right side elevational view thereof; FIG. 4 is a left side elevational view thereof; and, FIG. 5 is a top right isometric view thereof. The details shown in broken lines in FIGS. 1, 2, 4 and 5 are shown for illustrative purposes only and form no part of the claimed design.

1 Claim, 2 Drawing Sheets

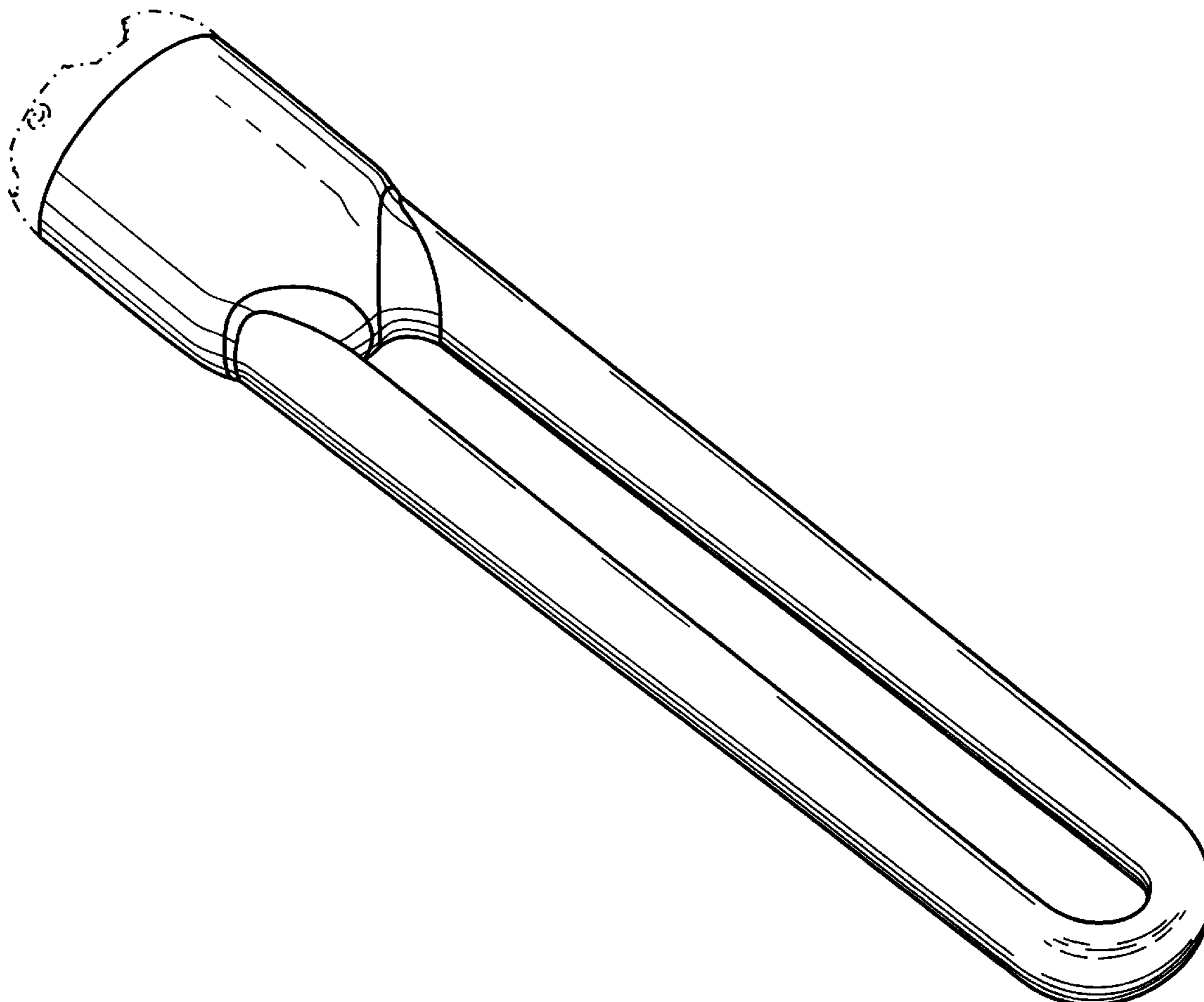


Fig. 1

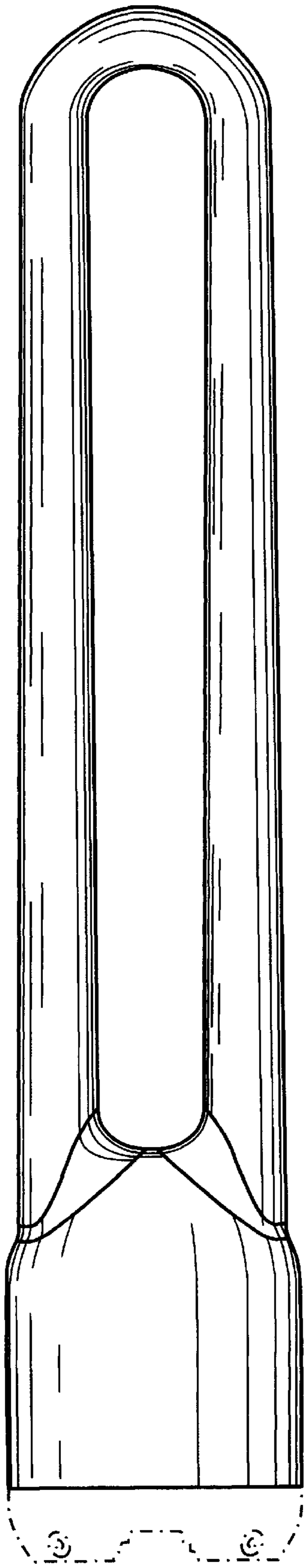
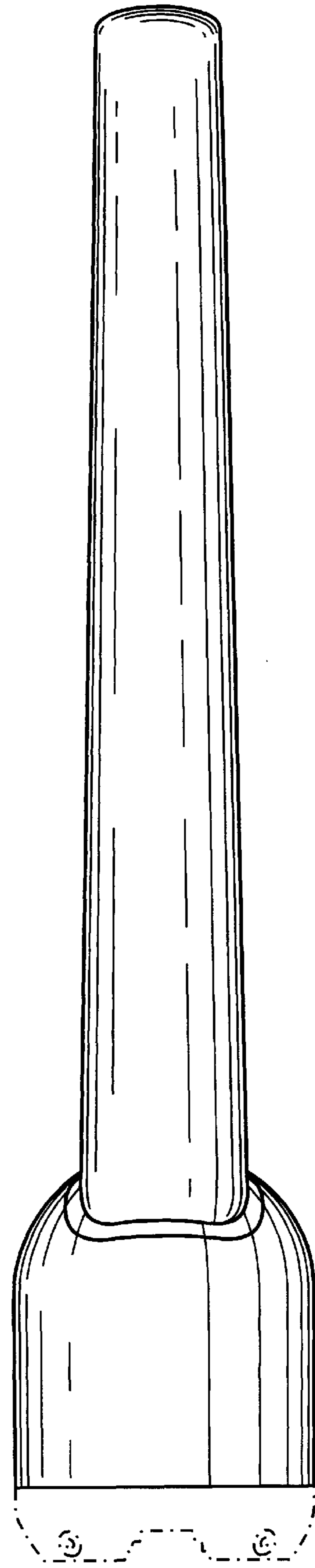


Fig. 2



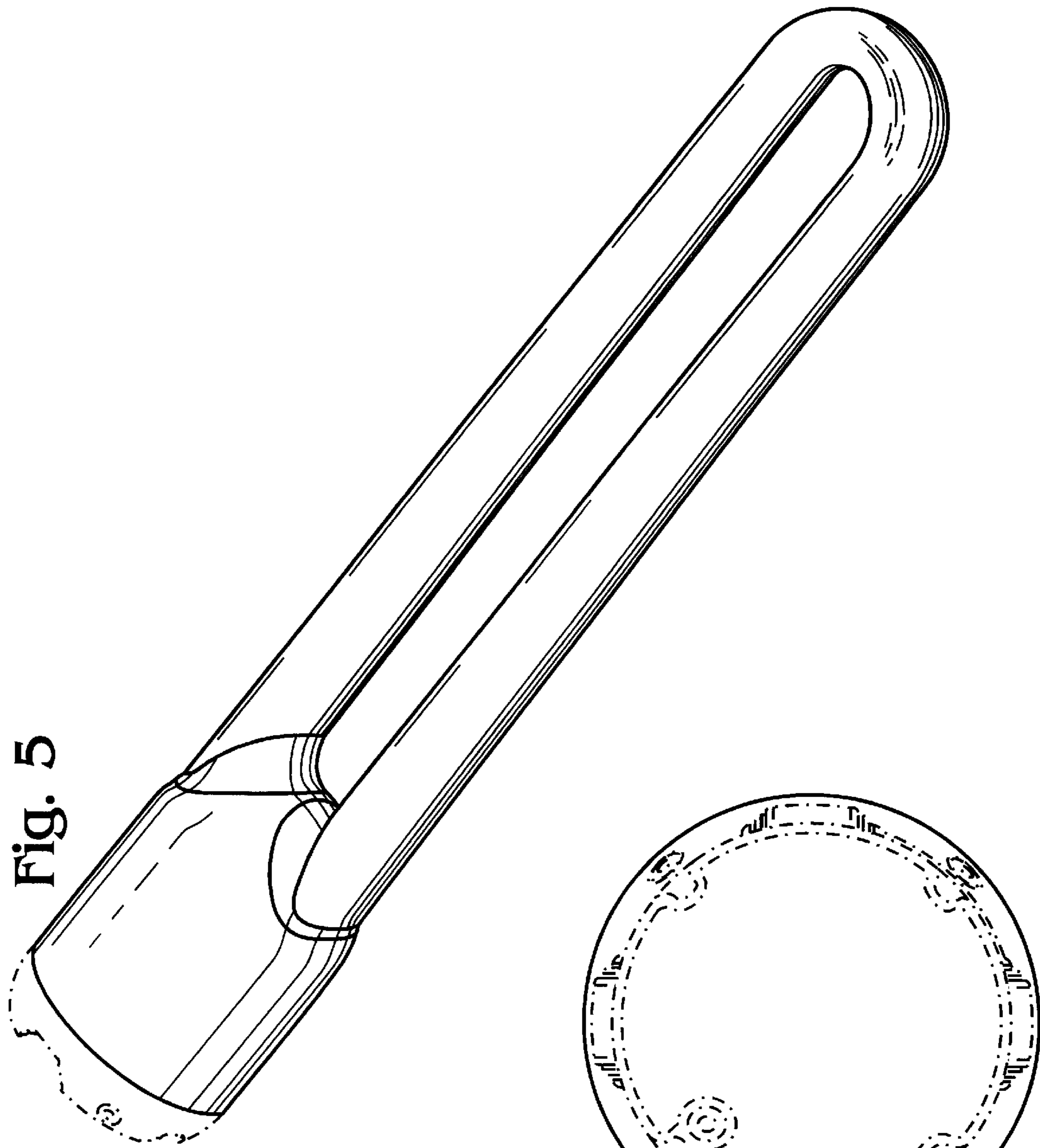


Fig. 5

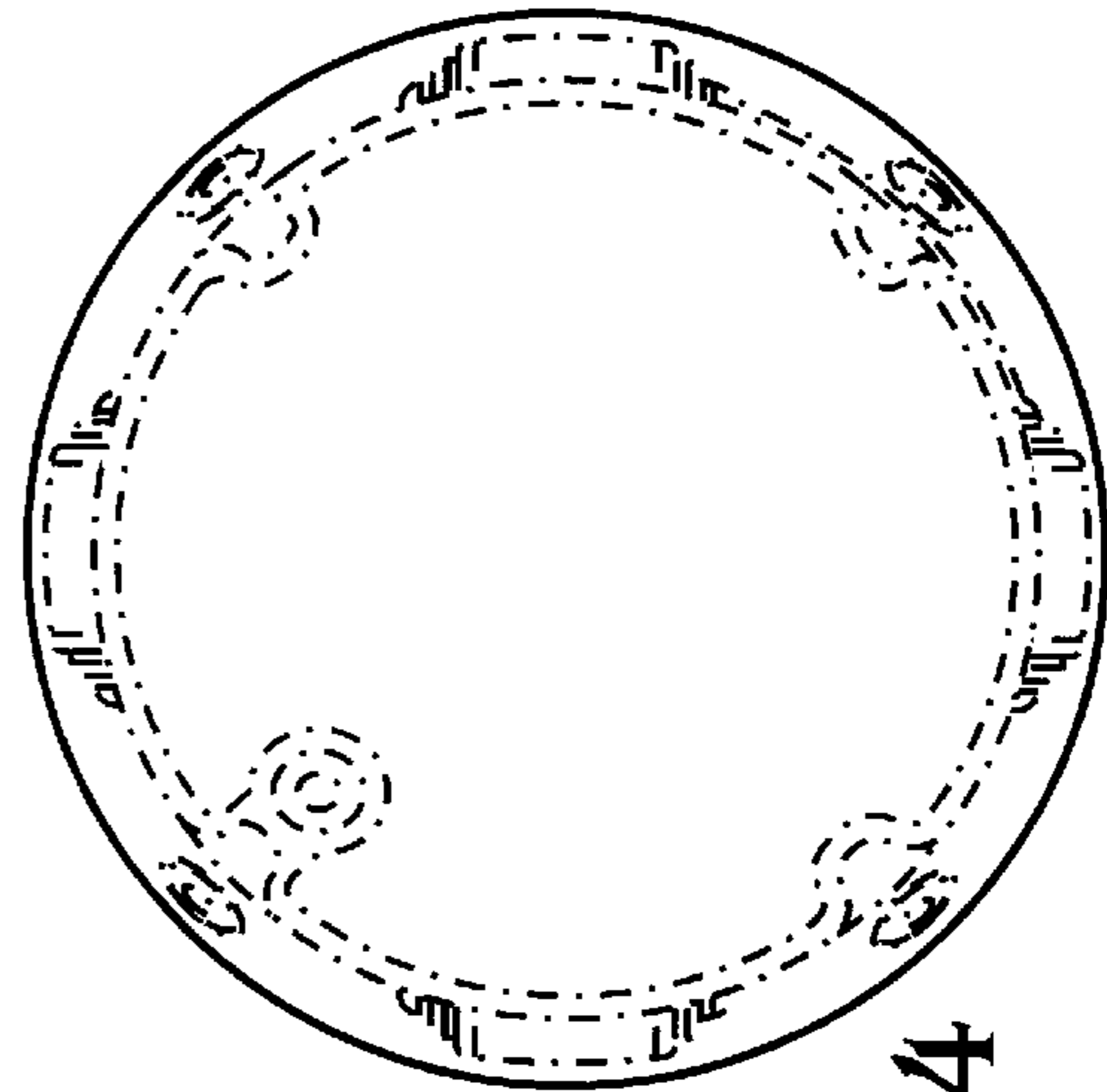


Fig. 4

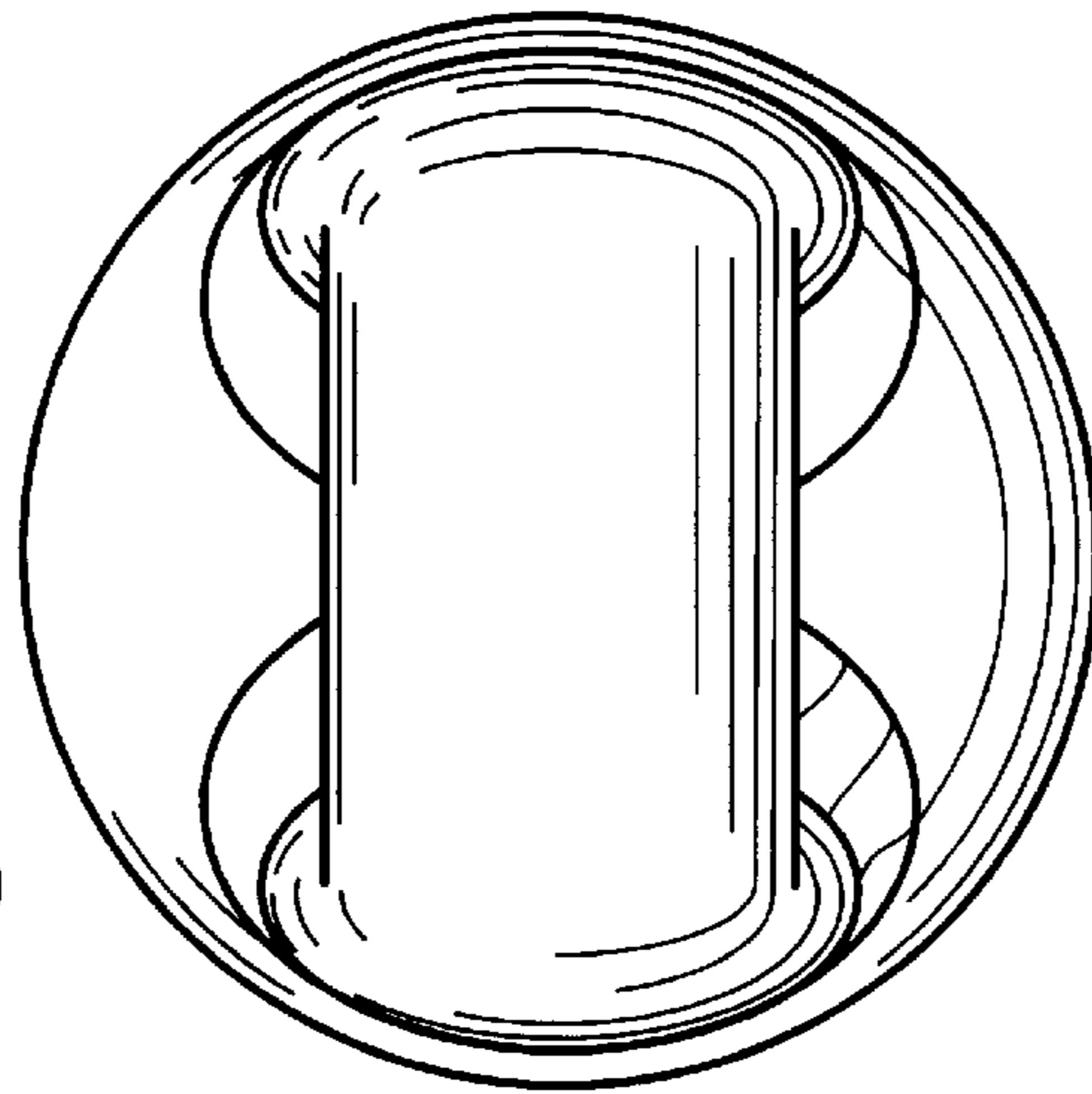


Fig. 3