



US00D403681S

United States Patent [19] Lam

[11] **Patent Number:** **Des. 403,681**

[45] **Date of Patent:** ****Jan. 5, 1999**

[54] **HEADPHONE**

[76] **Inventor:** **Calvin Lam**, 14415 Don Julian Rd.,
City of Industry, Calif. 91746

[**] **Term:** **14 Years**

[21] **Appl. No.:** **84,034**

[22] **Filed:** **Feb. 23, 1998**

[51] **LOC (6) Cl.** **14-01**

[52] **U.S. Cl.** **D14/223; D14/206**

[58] **Field of Search** **D14/137, 138,**
D14/140, 142, 147, 148, 205, 206, 223,
249; 181/129, 135; 379/430, 433; 381/183,
187, 188

[56] **References Cited**

U.S. PATENT DOCUMENTS

D. 231,613	5/1974	Sarber .	
D. 339,355	9/1993	Burris et al.	D14/249
D. 361,066	8/1995	Langhorn et al. .	
D. 364,617	11/1995	Fitzgerald	D14/206 X
D. 375,313	11/1996	Jensen et al. .	
1,354,524	10/1920	Timmons .	
2,566,313	9/1951	Cates .	
3,280,273	10/1966	Flygstad et al. .	
4,654,883	3/1987	Iwata .	
4,754,484	6/1988	Larkin et al.	379/430
5,113,428	5/1992	Fitzgerald .	

5,457,751 10/1995 Such .
5,613,222 3/1997 Guenther .
5,673,438 10/1997 Lambert .

Primary Examiner—Ted Shooman
Assistant Examiner—Nanda Bondade
Attorney, Agent, or Firm—Raymond Sun

[57] **CLAIM**

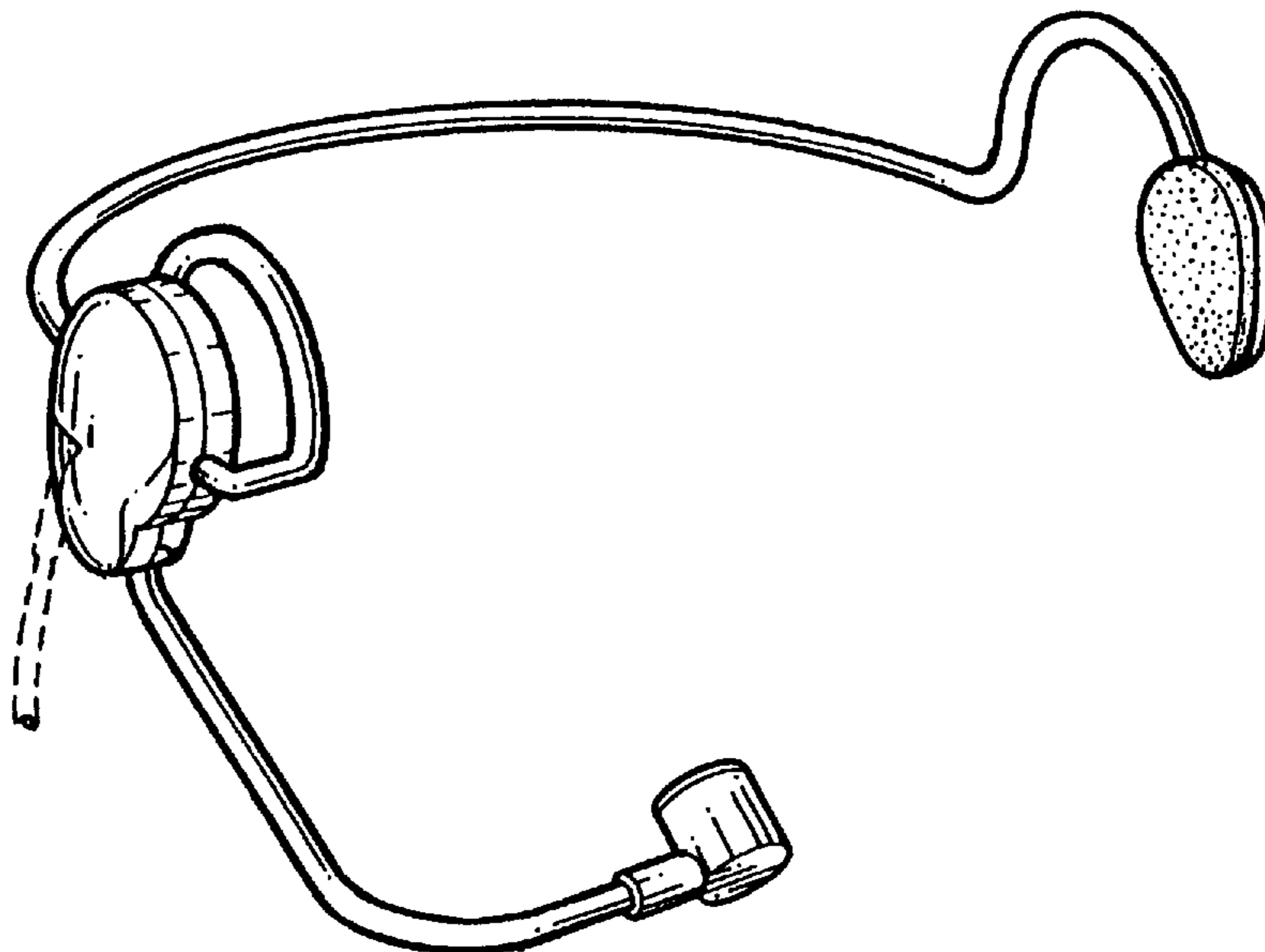
The ornamental design for the headphone, as shown and described.

DESCRIPTION

FIG. 1 is a perspective view of a headphone showing my new design;
FIG. 2 is a perspective view of the headphone of FIG. 1;
FIG. 3 is a front elevational view of the headphone of FIG. 1;
FIG. 4 is a rear elevational view of the headphone of FIG. 1;
FIG. 5 is a bottom plan of the headphone of FIG. 1;
FIG. 6 is a top plan view of the headphone of FIG. 1;
FIG. 7 is a left side elevational view of the headphone of FIG. 1; and,
FIG. 8 is a right side elevational view of the headphone of FIG. 1.

The broken line showing of the human head on FIG. 1, and the wire on FIGS. 1-8 is for illustrative purposes only and forms no part of the claimed design.

1 Claim, 5 Drawing Sheets



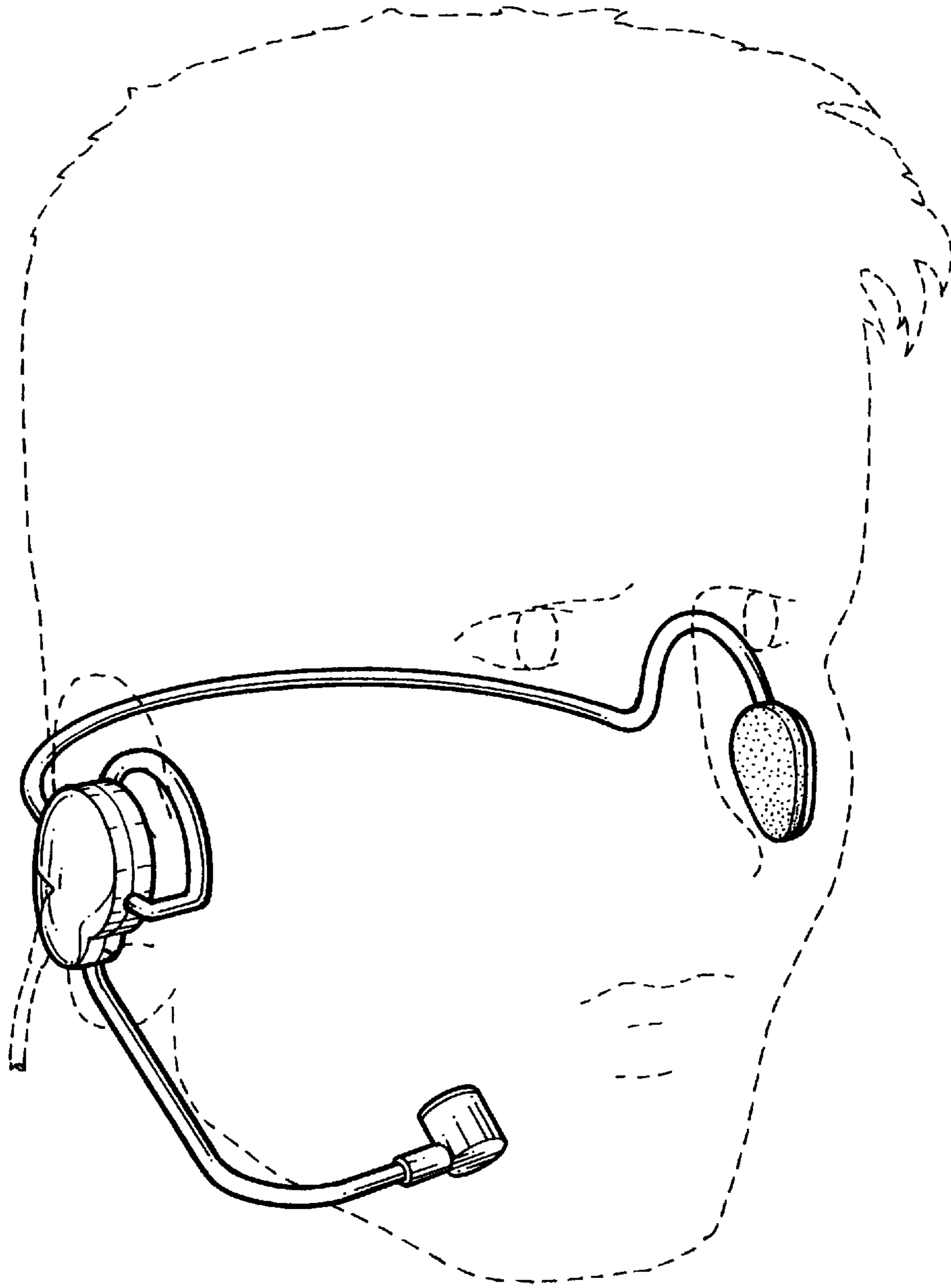


FIG. 1

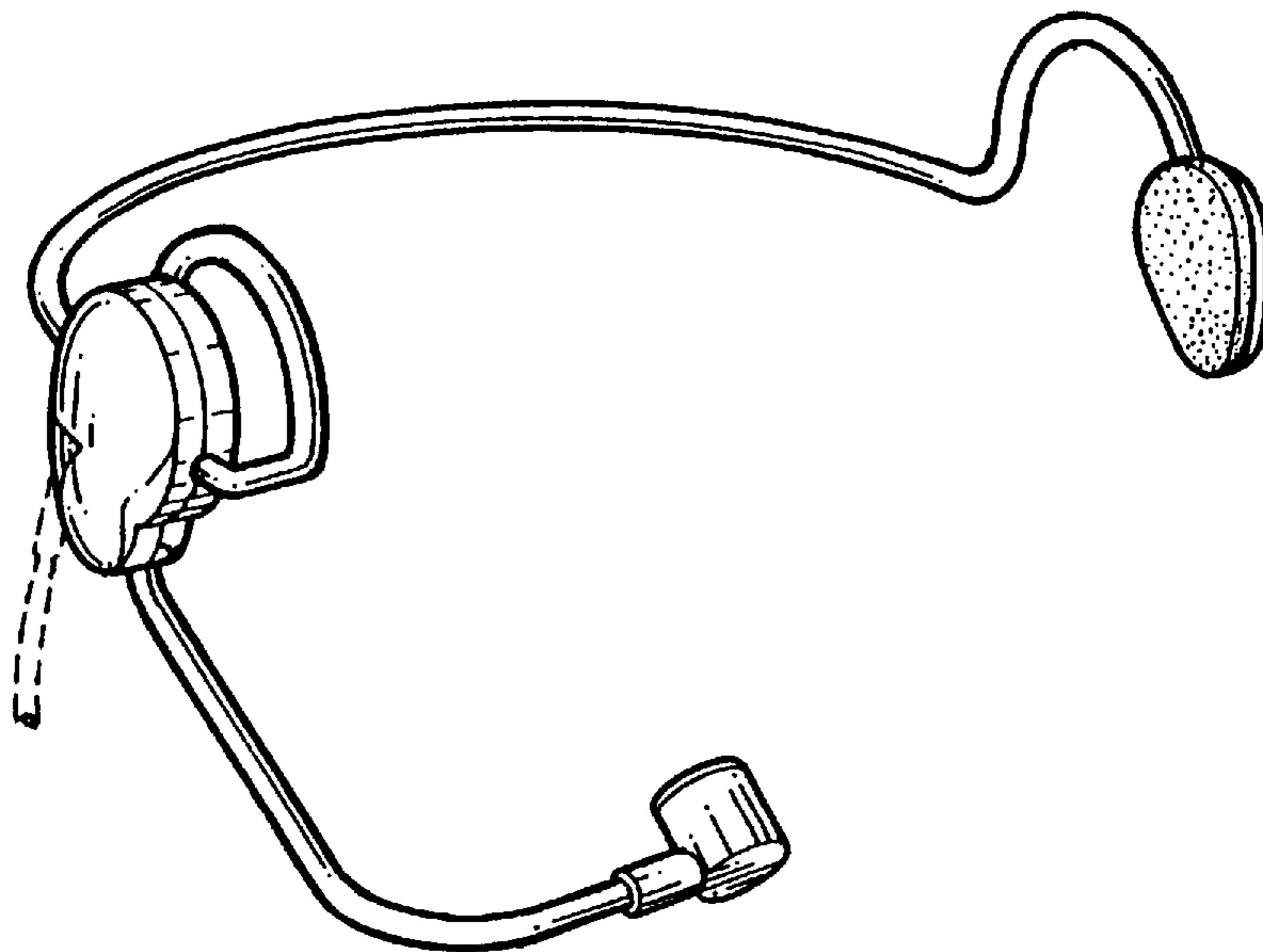


FIG. 2

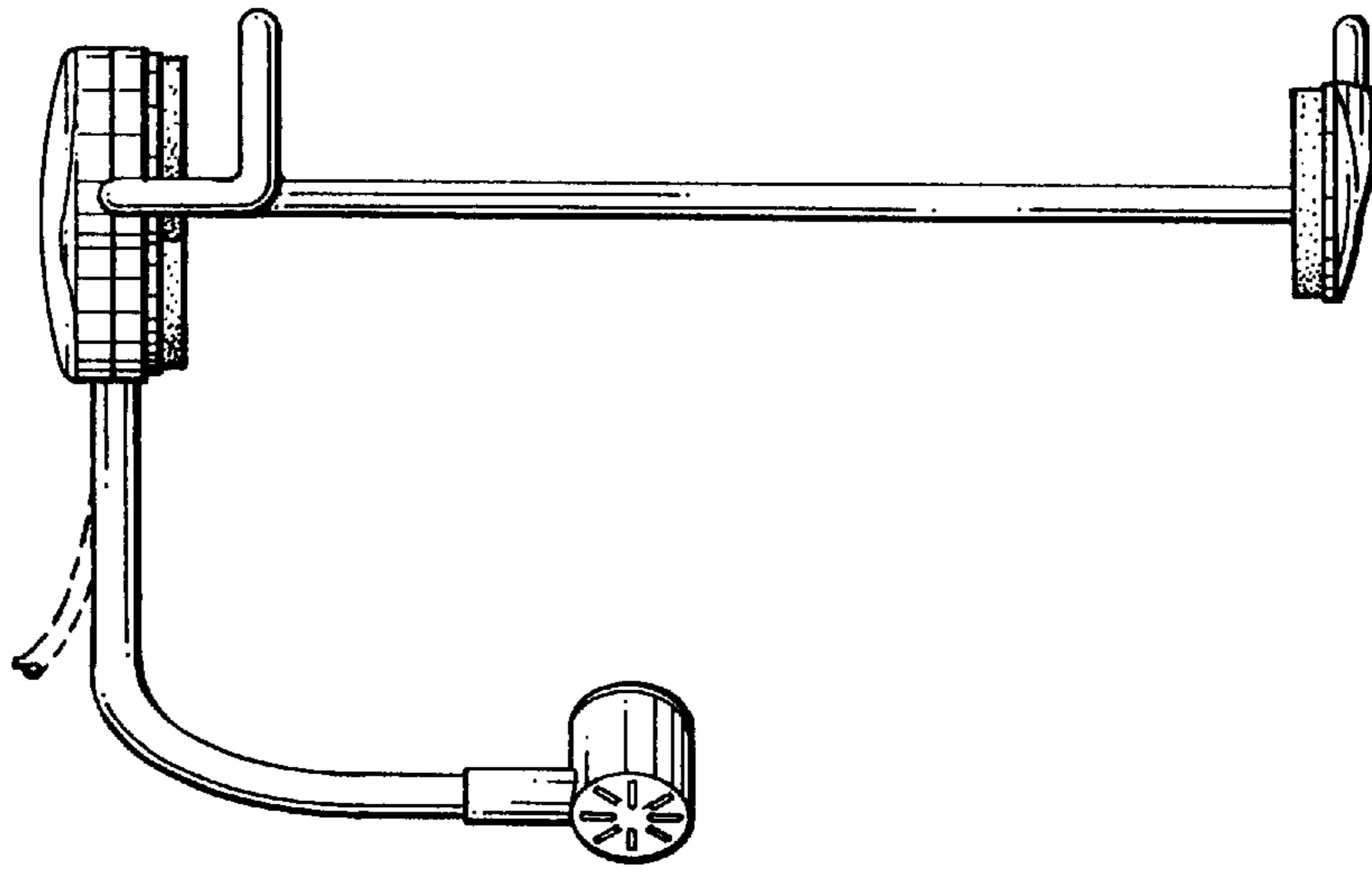


FIG. 3

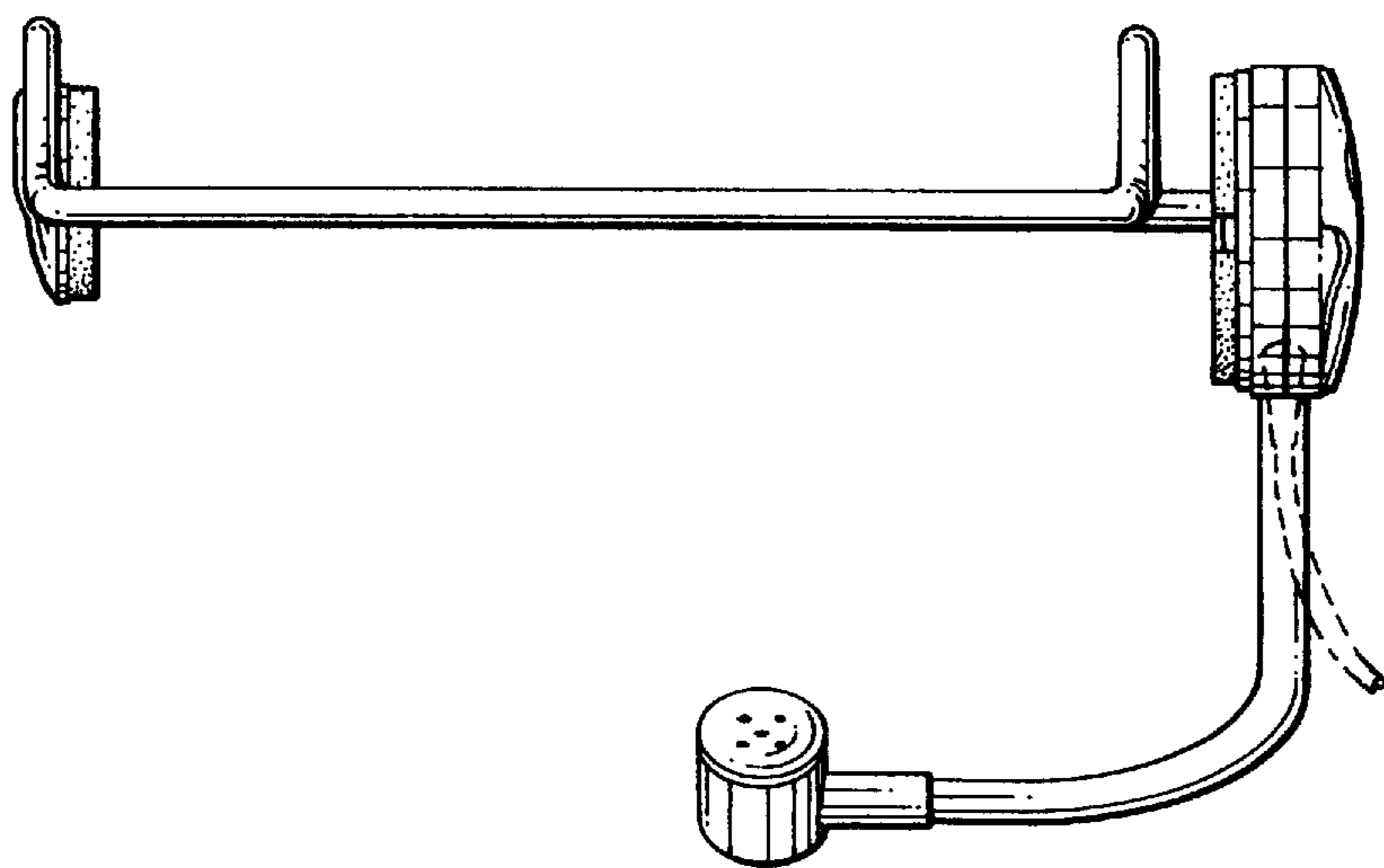


FIG. 4

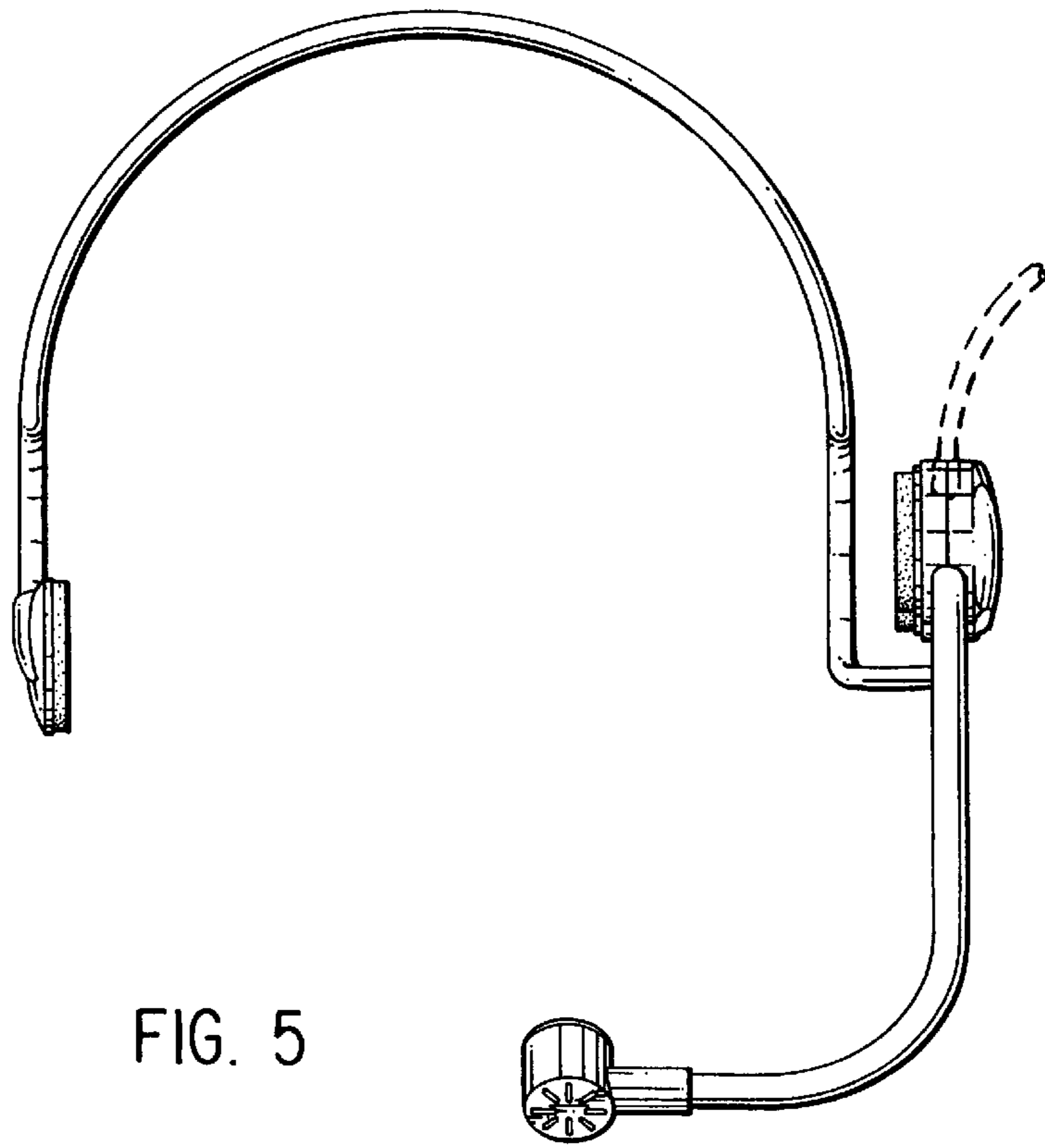


FIG. 5

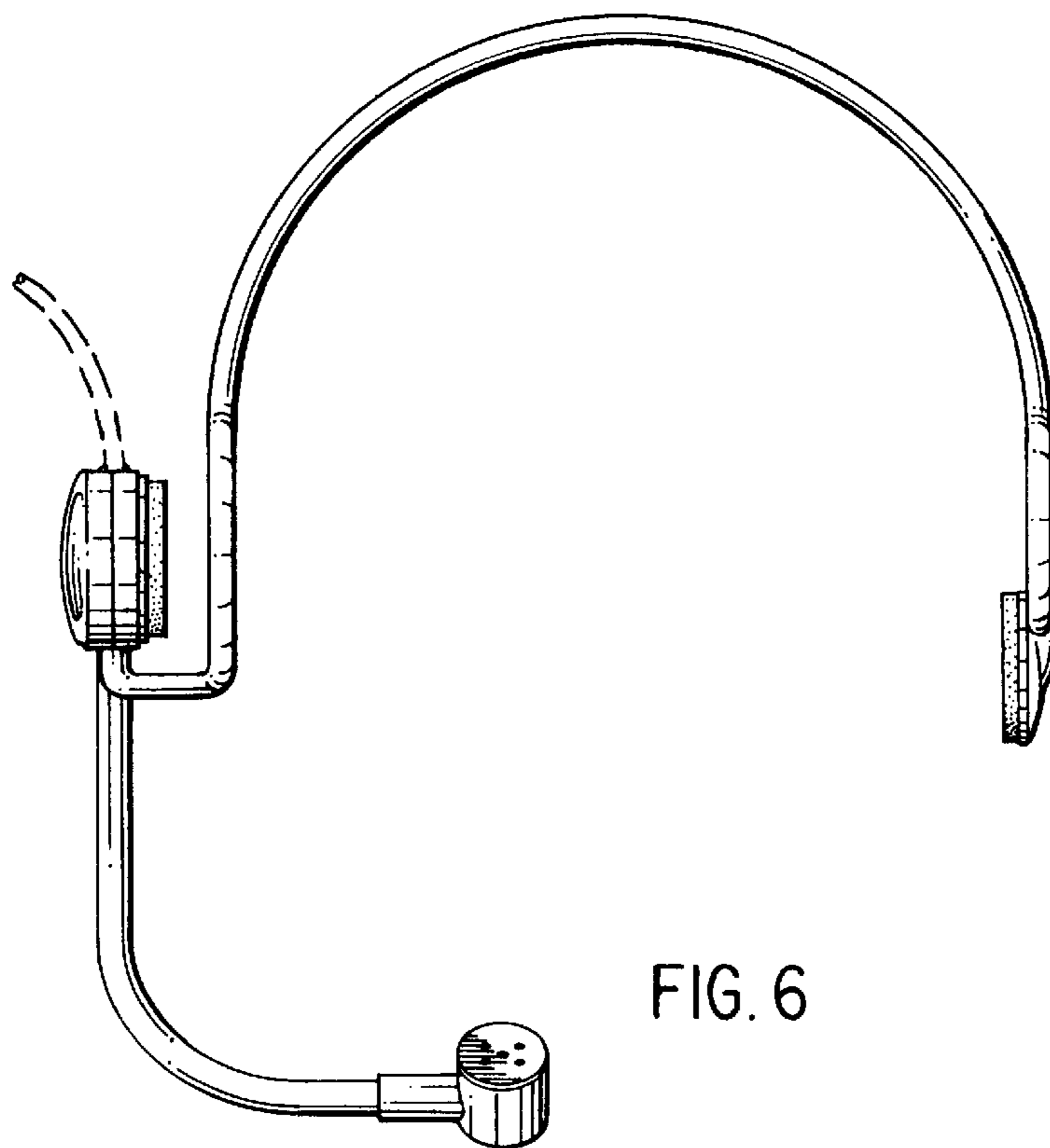


FIG. 6

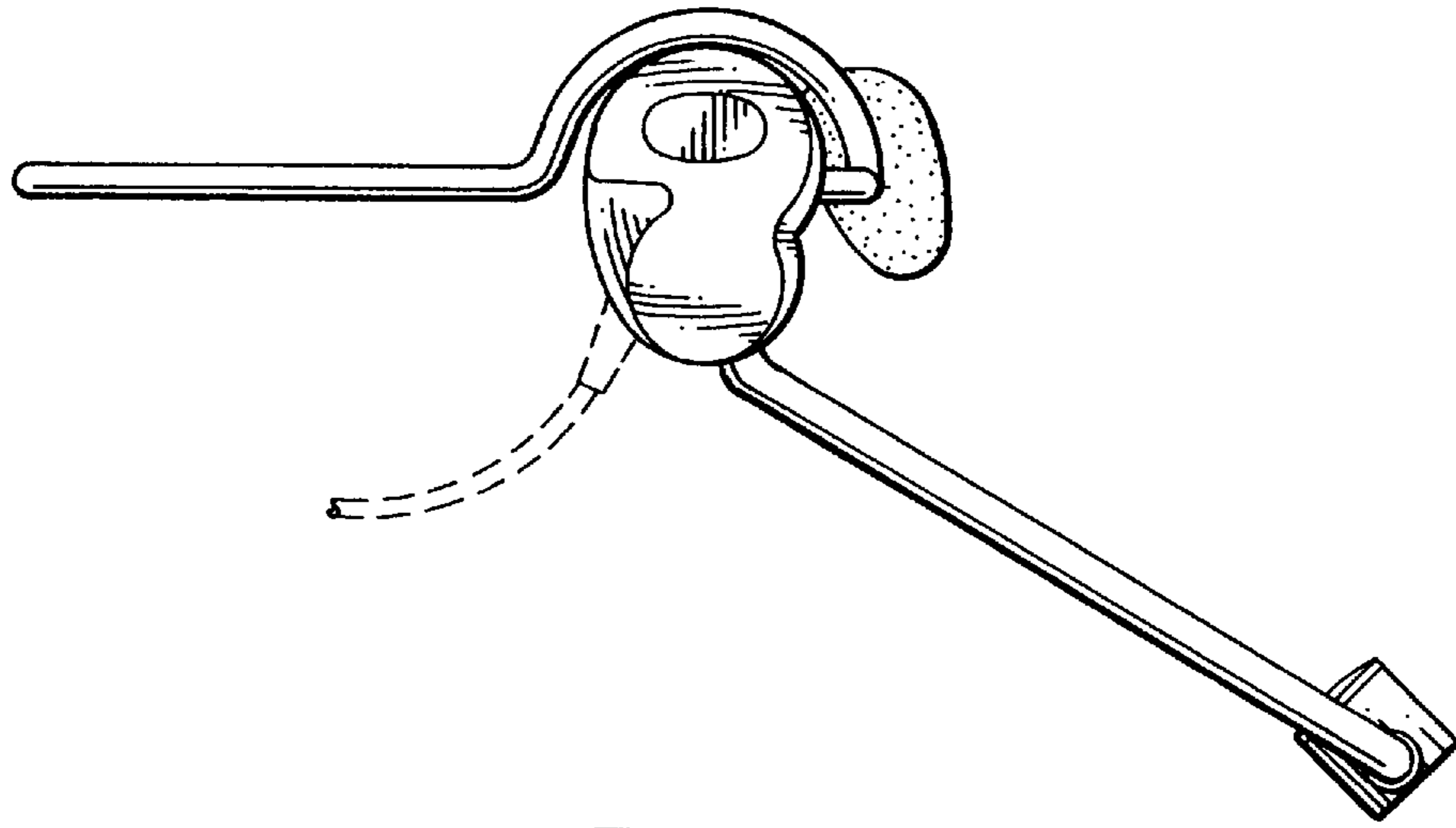


FIG. 7

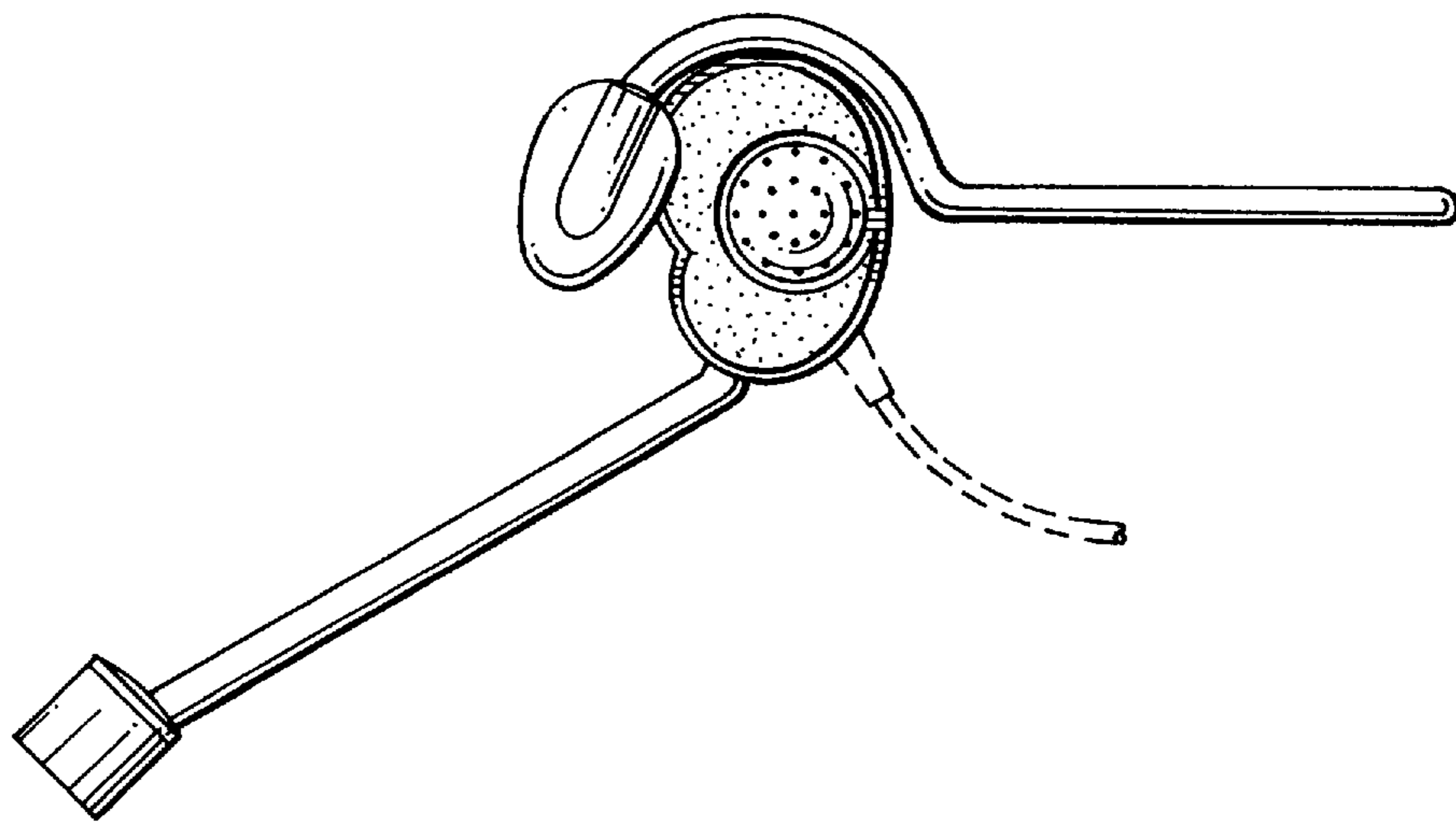


FIG. 8