



US00D403680S

United States Patent [19]
Gremchuck

[11] **Patent Number: Des. 403,680**

[45] **Date of Patent: ***Jan. 5, 1999**

[54] **SPEAKER**

[76] Inventor: **Alan Gremchuck**, 2455 Vista Wood Cir., No. 22, Thousand Oaks, Calif. 91362

[*] Notice: The portion of the term of this patent subsequent to Aug. 18, 2012, has been disclaimed.

[**] Term: **14 Years**

[21] Appl. No.: **48,635**

[22] Filed: **Jan. 5, 1996**

[51] **LOC (6) Cl. 14-01**

[52] **U.S. Cl. D14/212; D14/210**

[58] **Field of Search D14/204, 207-216, D14/219, 220; 181/144, 145, 148, 150, 153, 157, 198, 199; 381/24, 88, 90, 153, 159, 186, 188**

[56] **References Cited**

U.S. PATENT DOCUMENTS

D. 232,035	7/1974	Rigney, Jr.	D14/211
D. 347,224	5/1994	Faas	D14/212 X
D. 359,286	6/1995	Fujino	D14/214 X
D. 360,634	7/1995	Alleva	D14/211

OTHER PUBLICATIONS

Stereo Review, p. 34, Soundwave Point source speakers, Aug. 1994.

Newspaper ad, full sheet, date unknown.

Newspaper ad, 1/2 sheet, date unknown.

Infinity, Sterling and Crescendo Series Loudspeakers ad, Circuit City, 1994.

Cerwin-Vega Velocity Sensitive Louspeakers, 4 page brochure, 1995.

Primary Examiner—Ted Shooman

Assistant Examiner—Nanda Bondade

Attorney, Agent, or Firm—Merchant, Gould, Smith, Edell, Welter & Schmidt

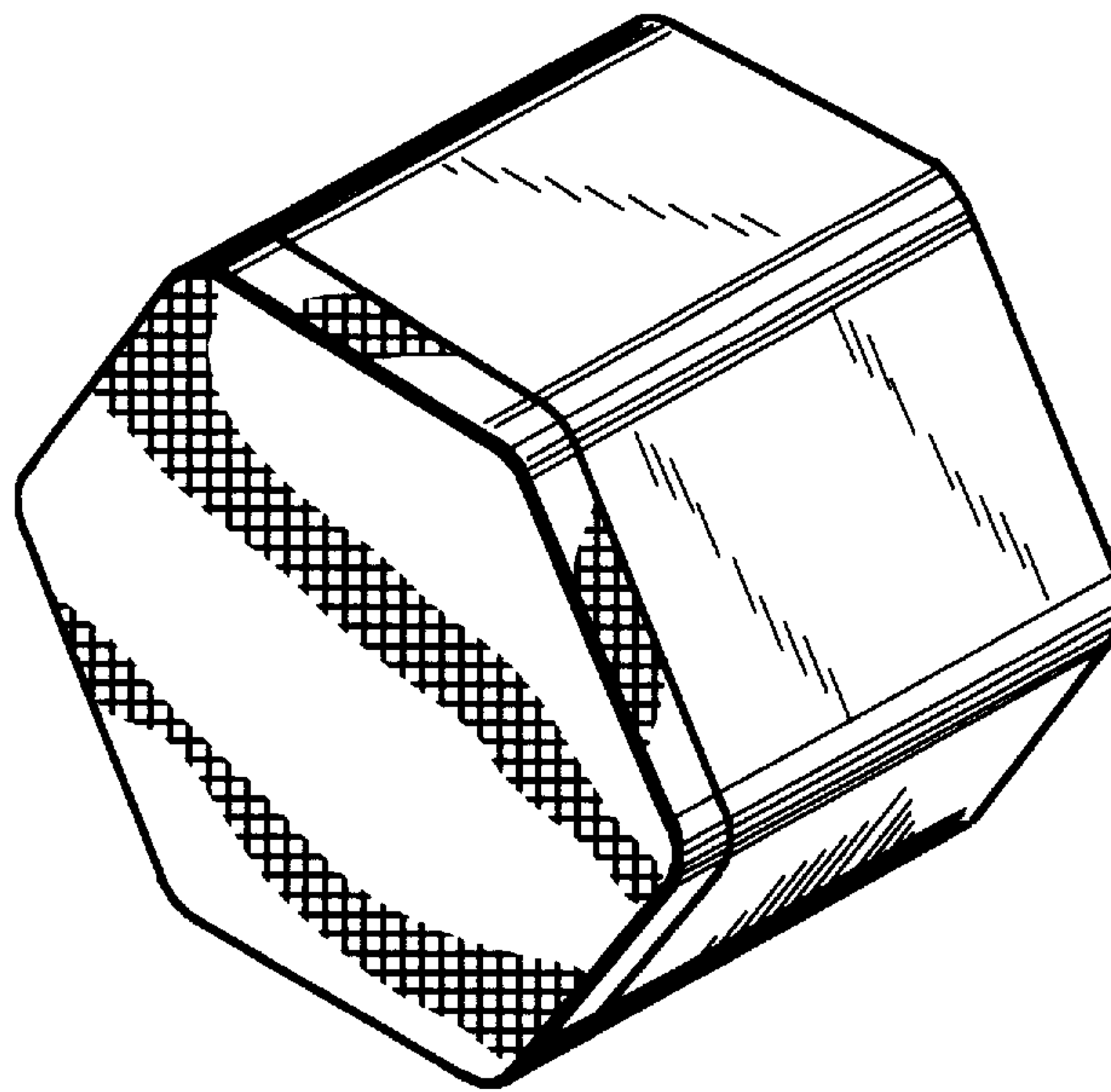
[57] **CLAIM**

The ornamental design for a speaker, as shown and described.

DESCRIPTION

FIG. 1 is a front, top and right side perspective view of a speaker showing my new design; and, FIG. 2 is a rear, top and left side perspective view thereof, wherein the bottom of the speaker is identical to the top of the speaker shown in the perspective views of FIGS. 1 and 2.

1 Claim, 1 Drawing Sheet



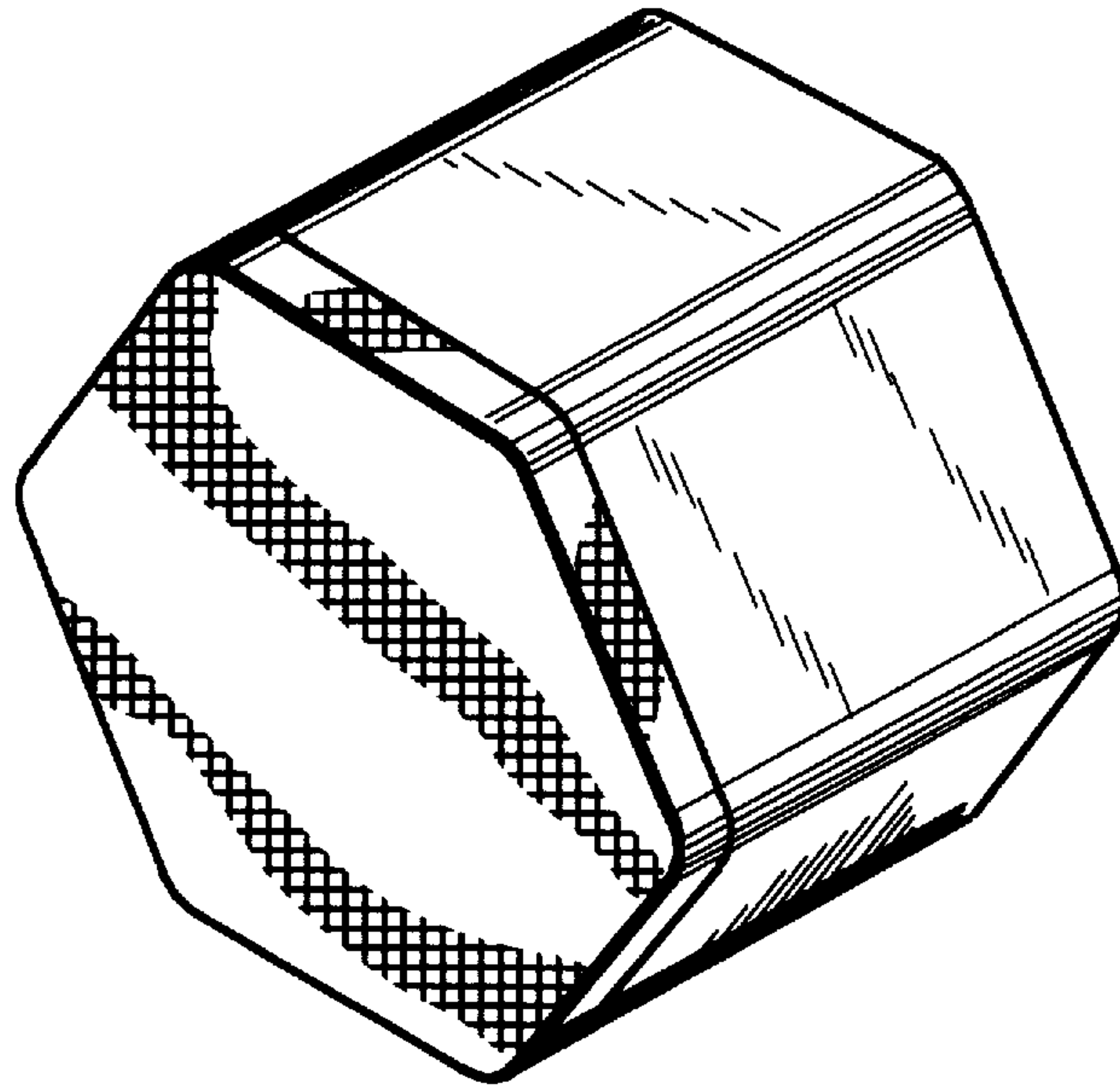


FIG. 1.

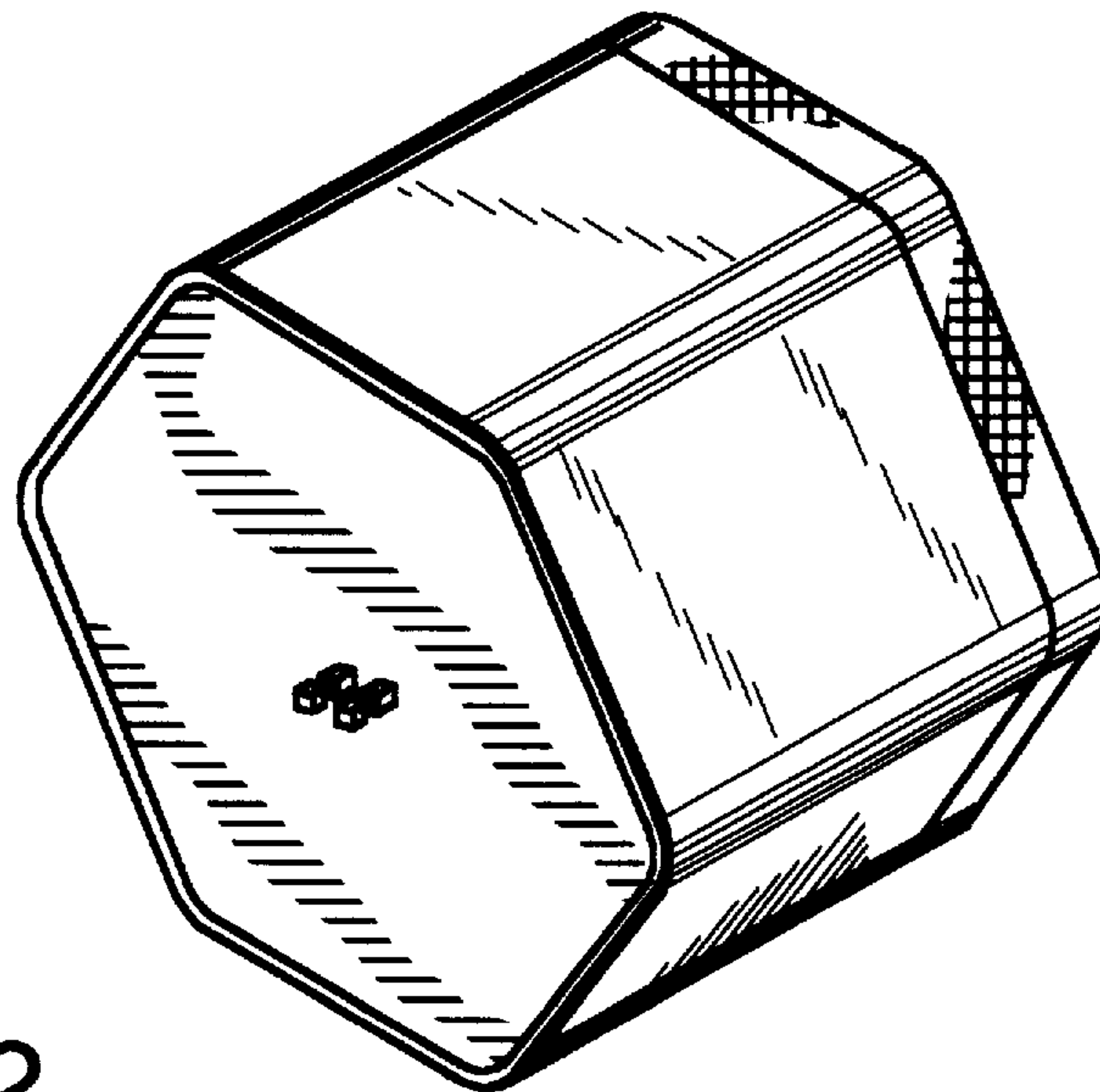


FIG. 2.