



US00D403678S

United States Patent [19]
Hawley et al.

[11] **Patent Number: Des. 403,678**
[45] **Date of Patent: **Jan. 5, 1999**

[54] **TELEPHONE**

[75] Inventors: **Miles Hawley**, London, England; **Steve Hughes**, West Sussex; **Rie Isono**, Surrey, both of United Kingdom

[73] Assignee: **Swatch AG (Swatch SA) (Swatch Ltd.)**, Bienne, Switzerland

[**] Term: **14 Years**

[21] Appl. No.: **70,892**

[22] Filed: **May 6, 1997**

[30] **Foreign Application Priority Data**

Nov. 6, 1996 [XH] Hague Agreement DM/038130

[51] **LOC (6) Cl.** **14-03**

[52] **U.S. Cl.** **D14/149; D14/148**

[58] **Field of Search** D14/137, 138, D14/147, 144, 148, 149-151, 240, 243, 140-142; 379/433-436, 419, 420, 428, 440

[56] **References Cited**

U.S. PATENT DOCUMENTS

- D. 263,046 2/1982 Genaro et al. D14/149
- D. 275,853 10/1984 Marshall D14/149
- D. 278,531 4/1985 Megarvey D14/149
- D. 287,964 1/1987 Perkins D14/149
- D. 291,305 8/1987 Harrison et al. D14/148

- D. 297,732 9/1988 Chan D14/149
- D. 300,317 3/1989 Yoshiharu D14/150 X
- D. 313,800 1/1991 Appleby D14/148 X
- D. 324,682 3/1992 Renard et al. D14/142 X
- D. 331,056 11/1992 Yu D14/151
- D. 357,251 4/1995 Watanabe et al. D14/149

OTHER PUBLICATIONS

B.A Pargh catalog, p. 323, Universal Trim Style Phone, Spring, 1992.

Hello-Direct, SW Bell Sleekline Telephone, www.Hello-direct.com, Feb. 1998.

Primary Examiner—Jeffrey Asch
Attorney, Agent, or Firm—McGlew and Tuttle

[57] **CLAIM**

The ornamental design for a telephone, as shown and described.

DESCRIPTION

FIG. 1 is top view of my new and ornamental design for a telephone;

FIG. 2 is a bottom view thereof;

FIG. 3 is a left side view, the right side view being substantially a mirror image thereof;

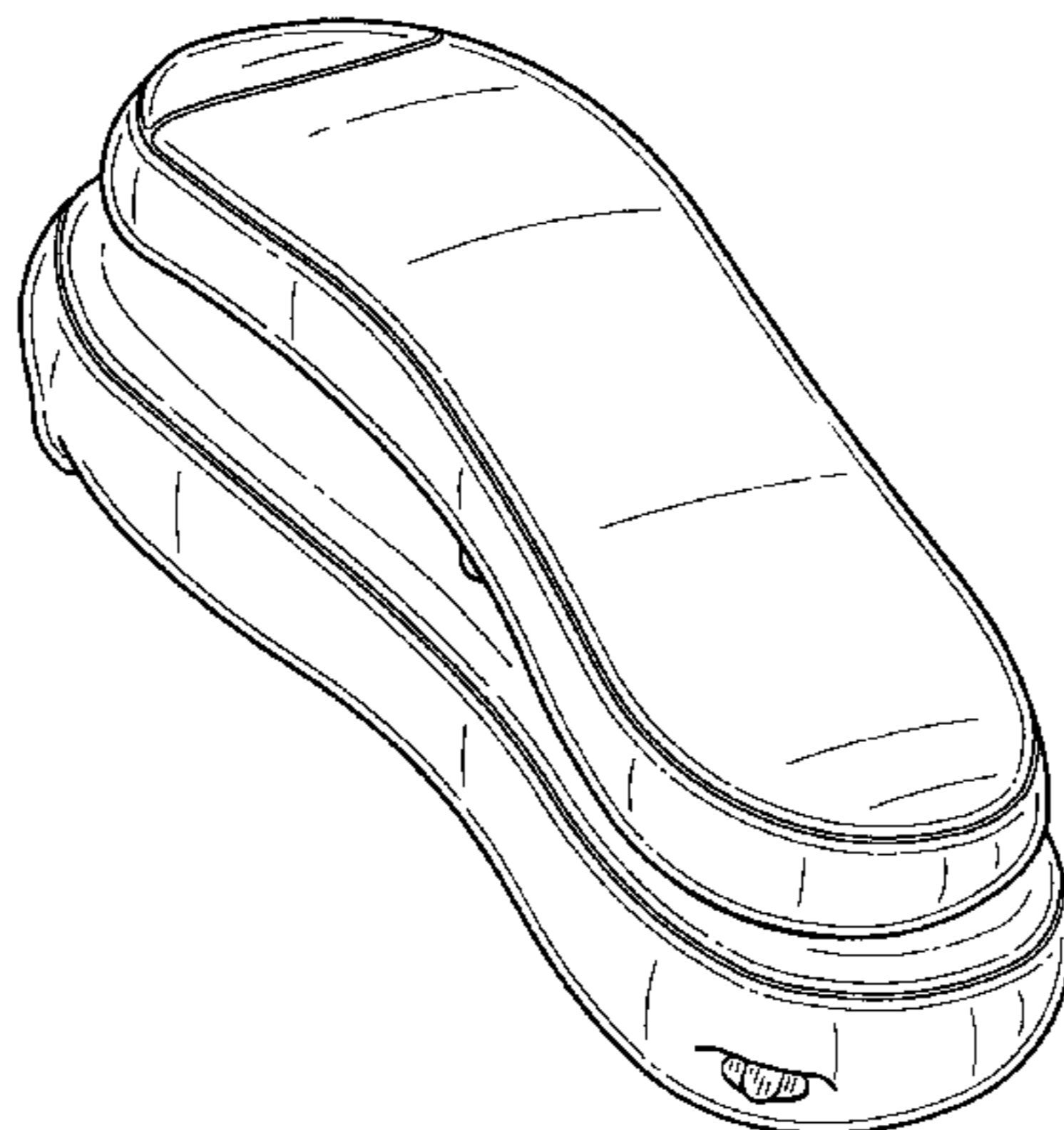
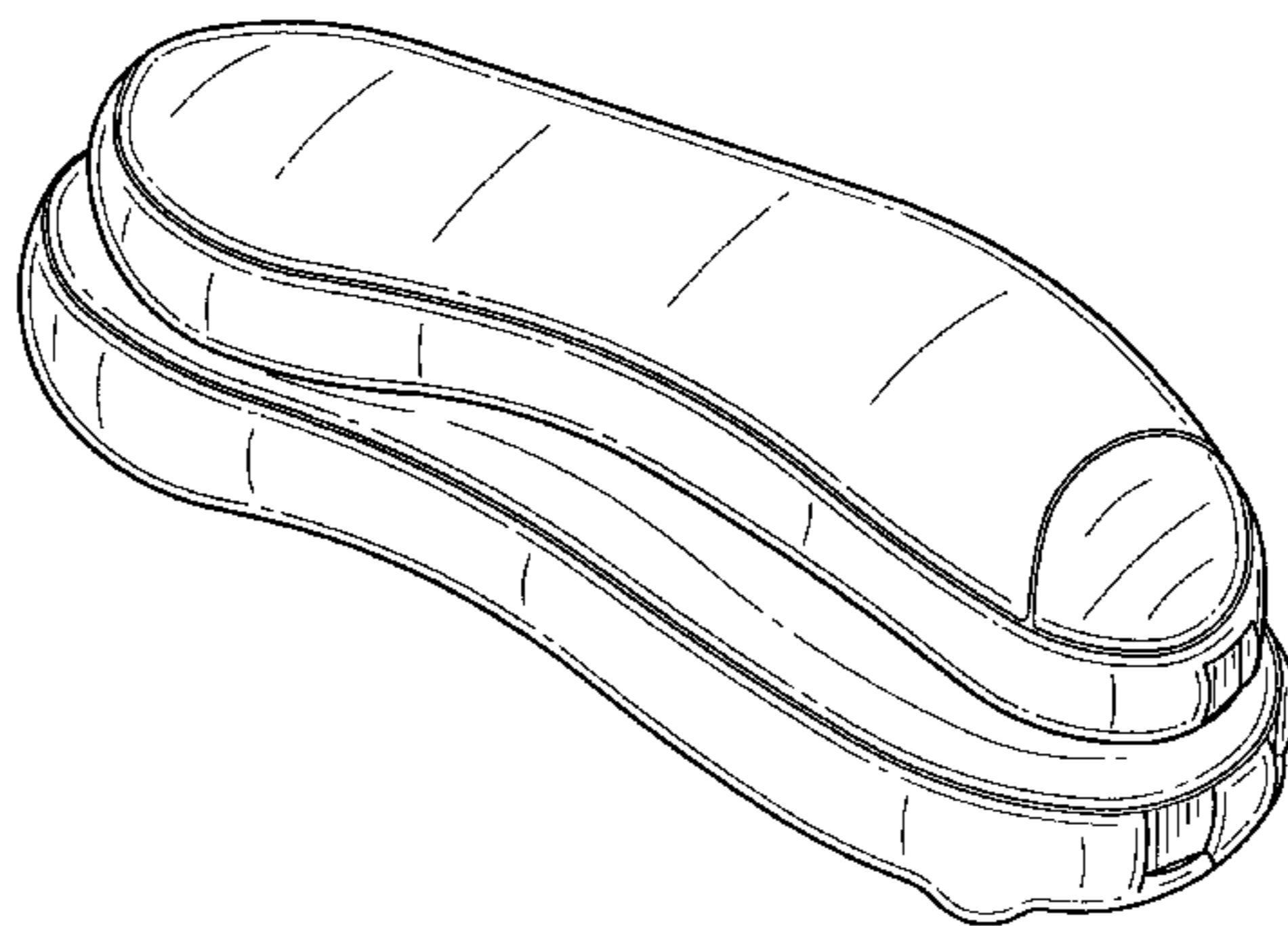
FIG. 4 is a front view thereof;

FIG. 5 is a rear view thereof;

FIG. 6 is a top, left, rear perspective view thereof; and,

FIG. 7 is a top, right, front perspective view thereof.

1 Claim, 6 Drawing Sheets



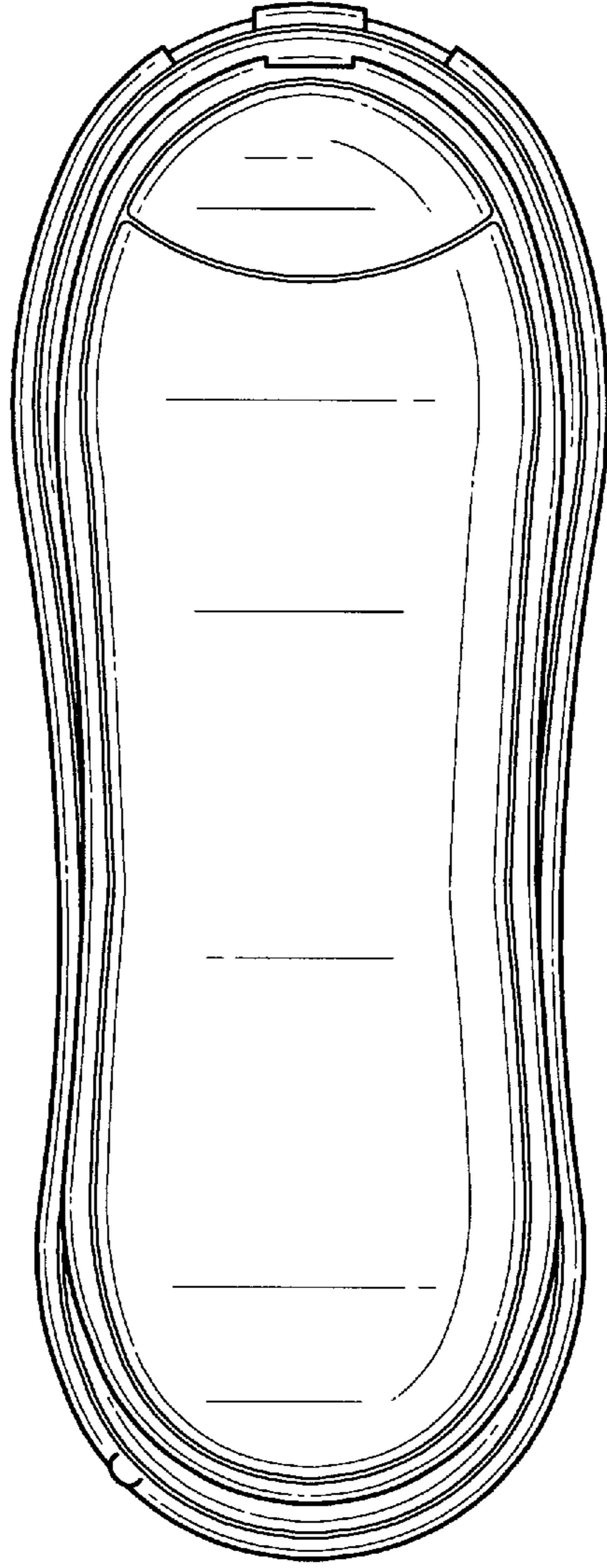


FIG-1

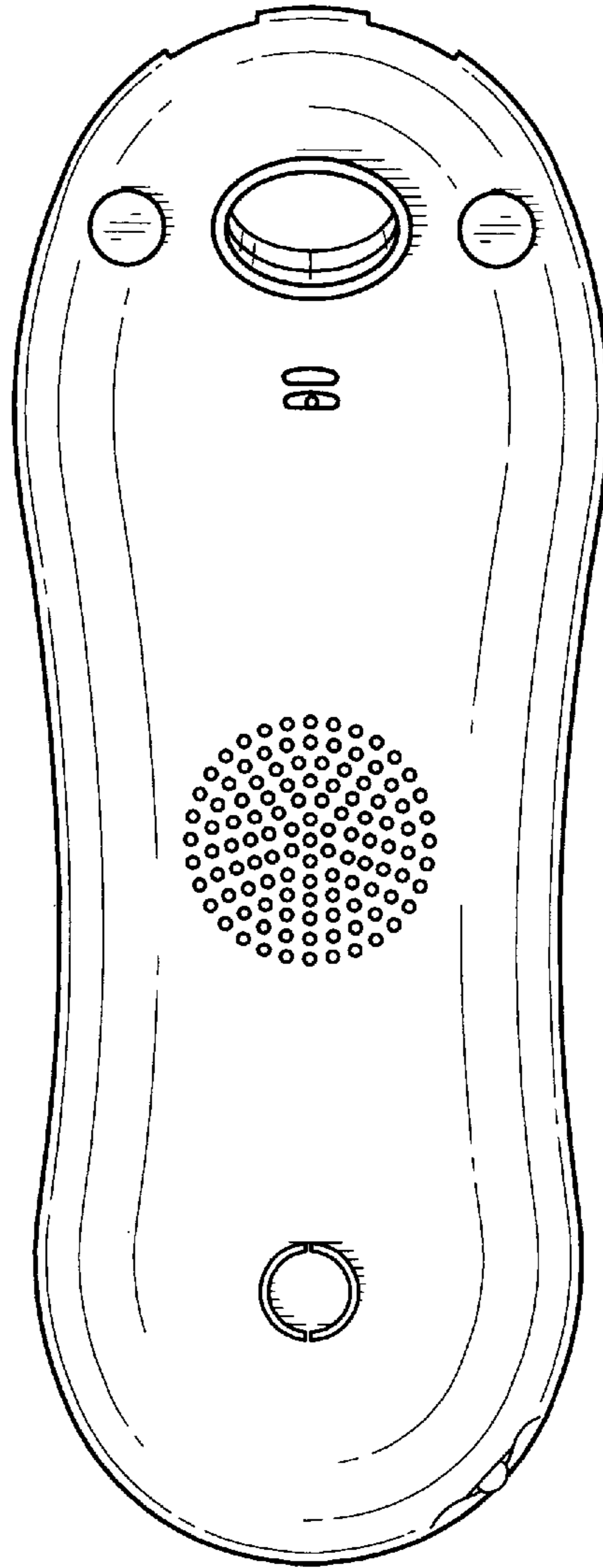


FIG-2

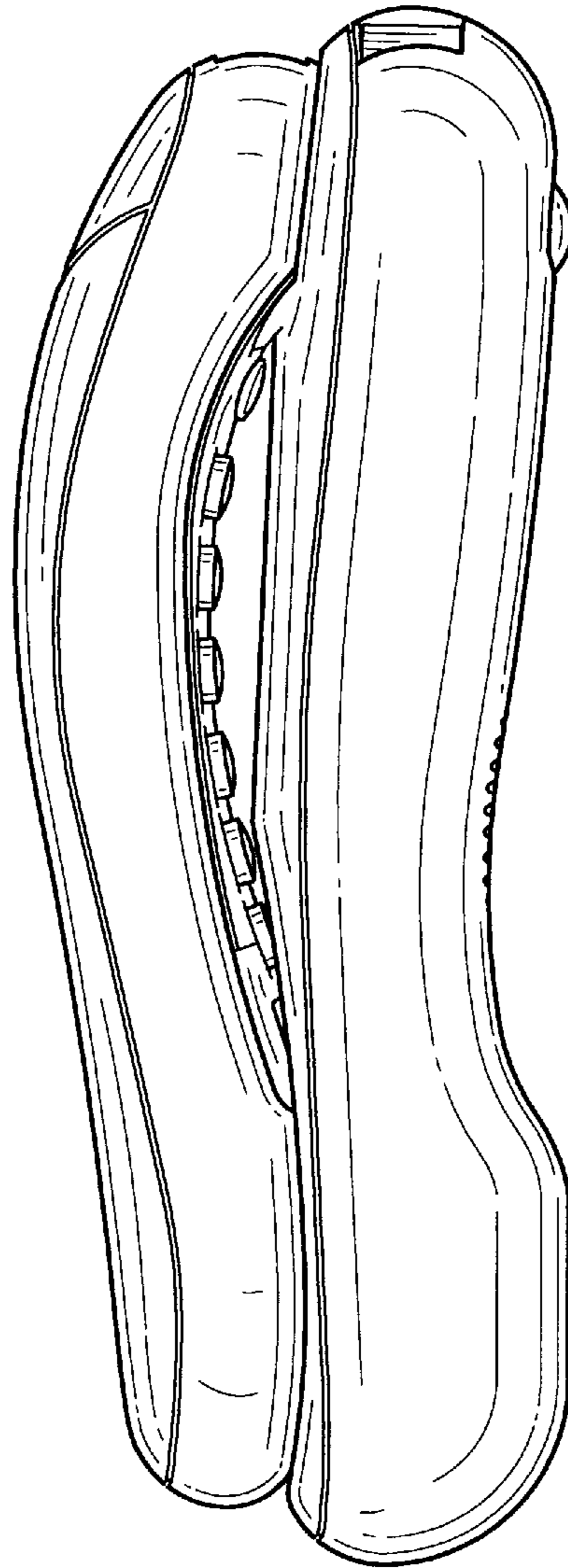


FIG-3

FIG-5

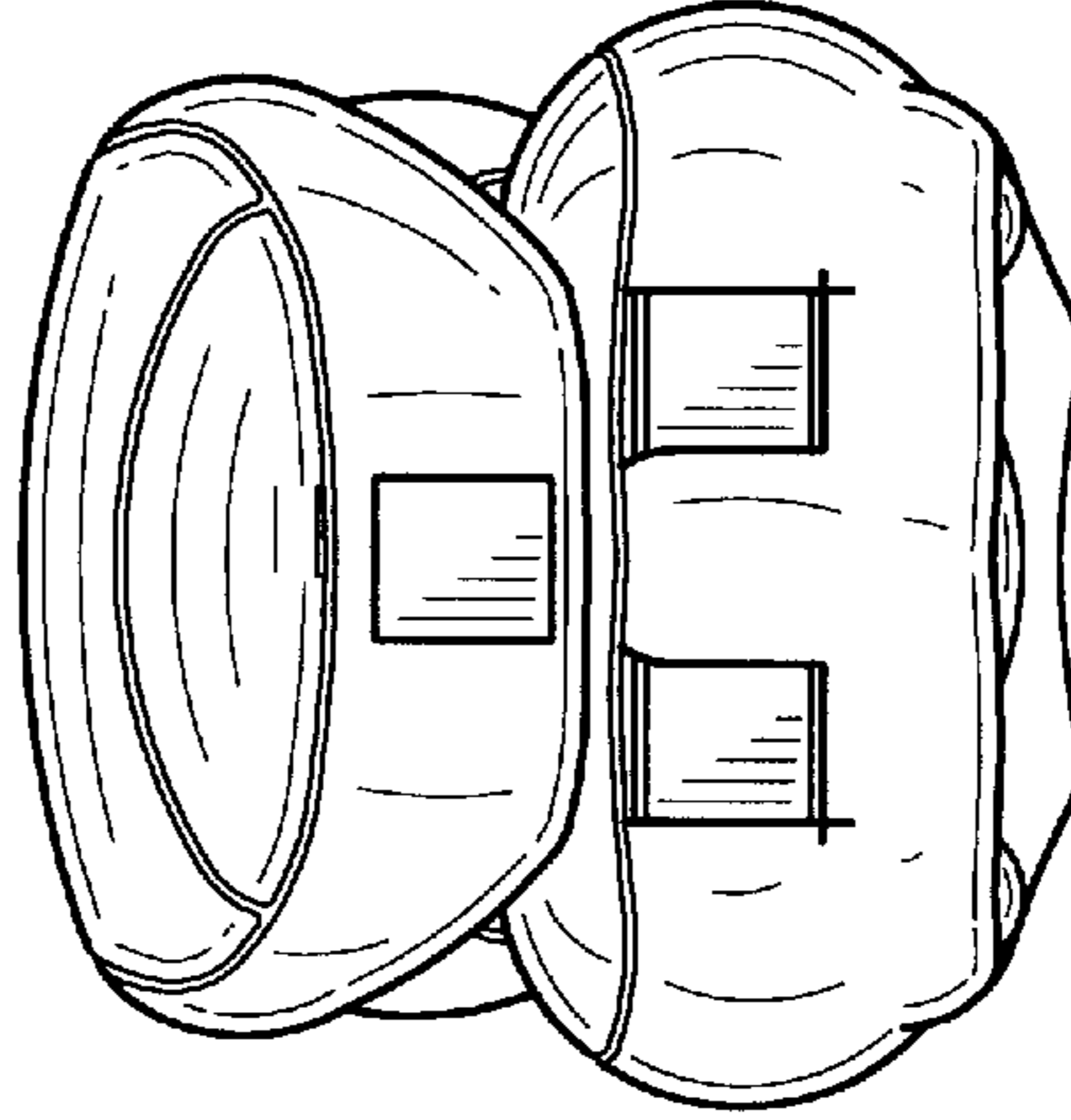
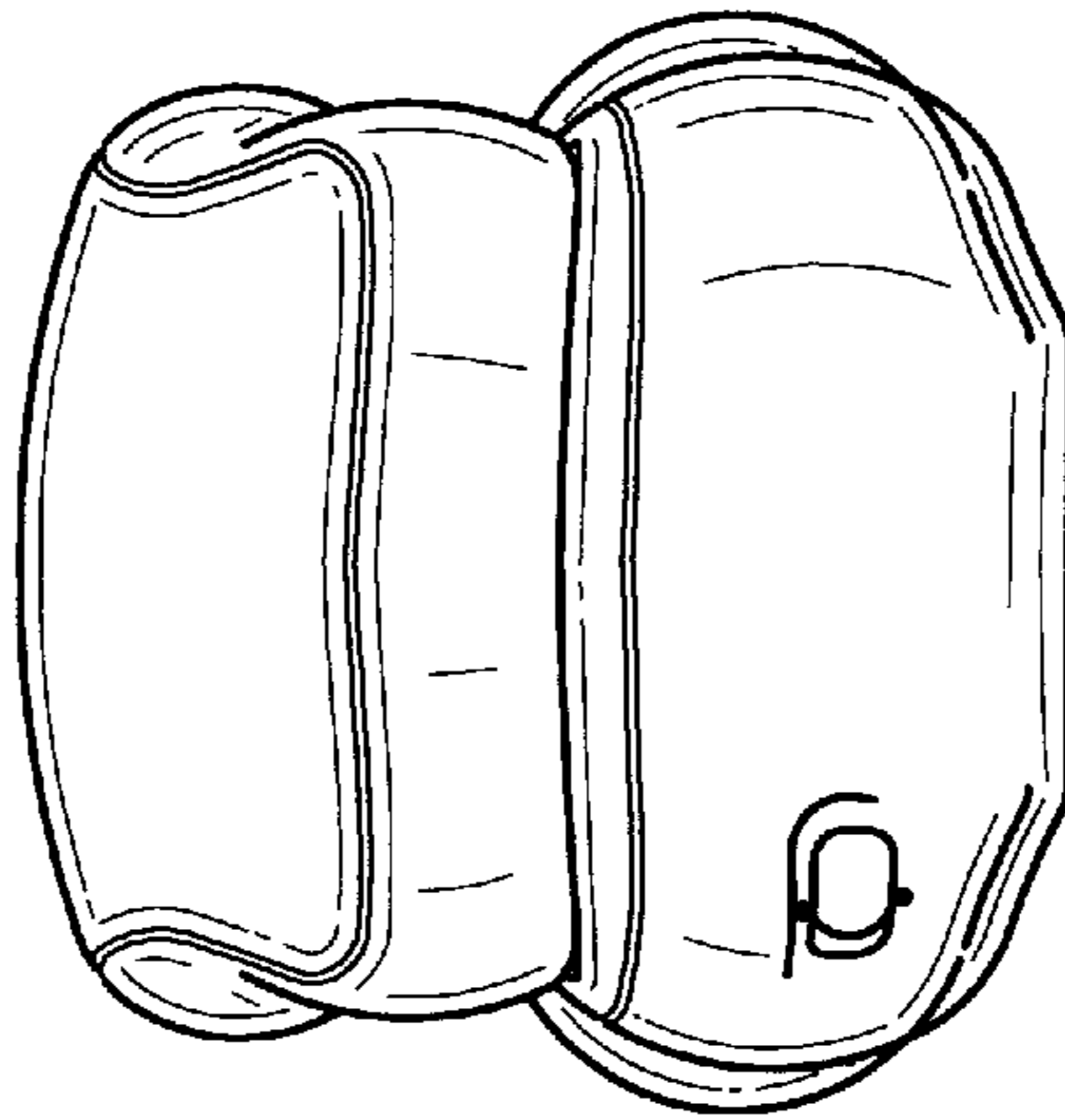


FIG-4



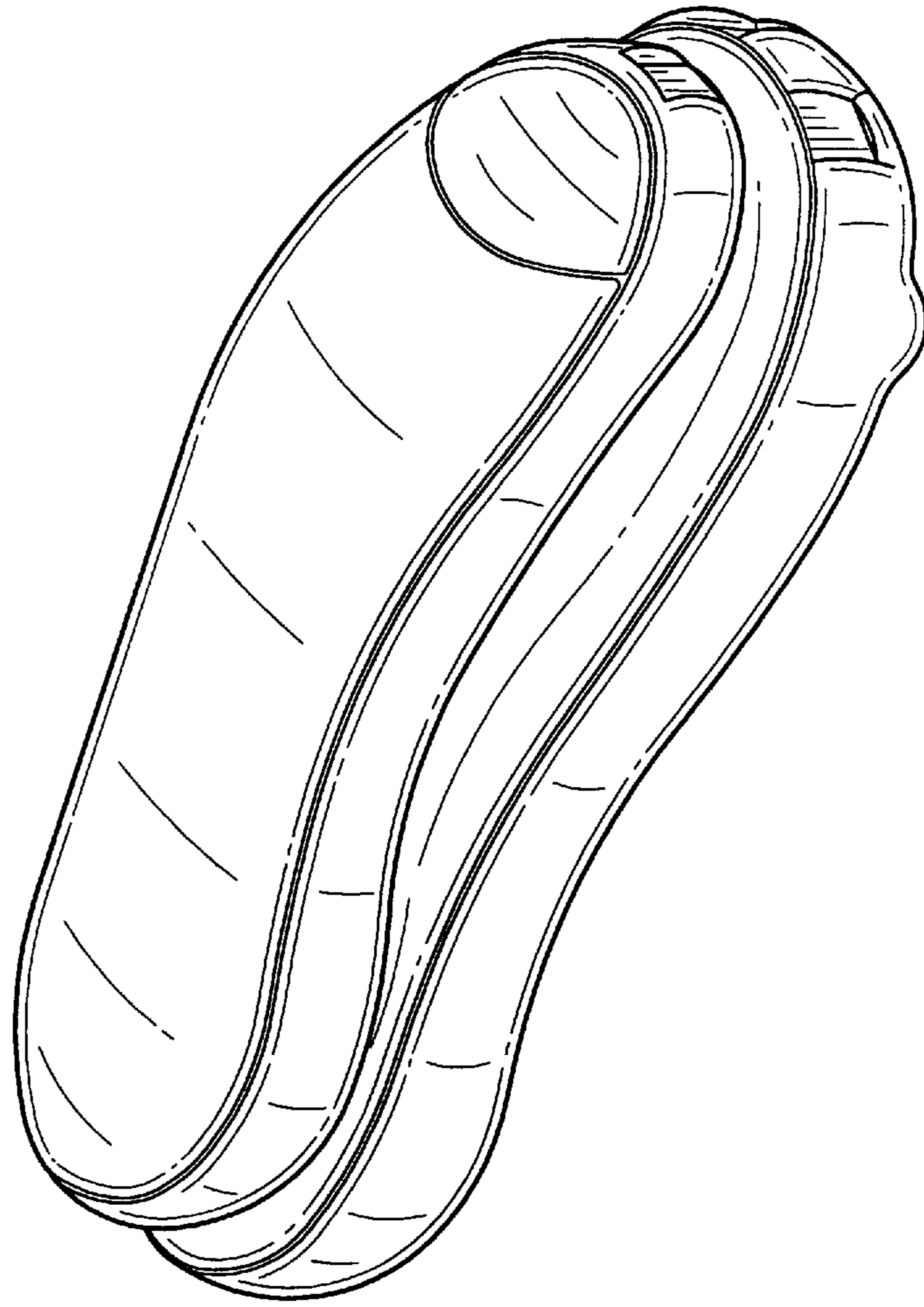


FIG-6

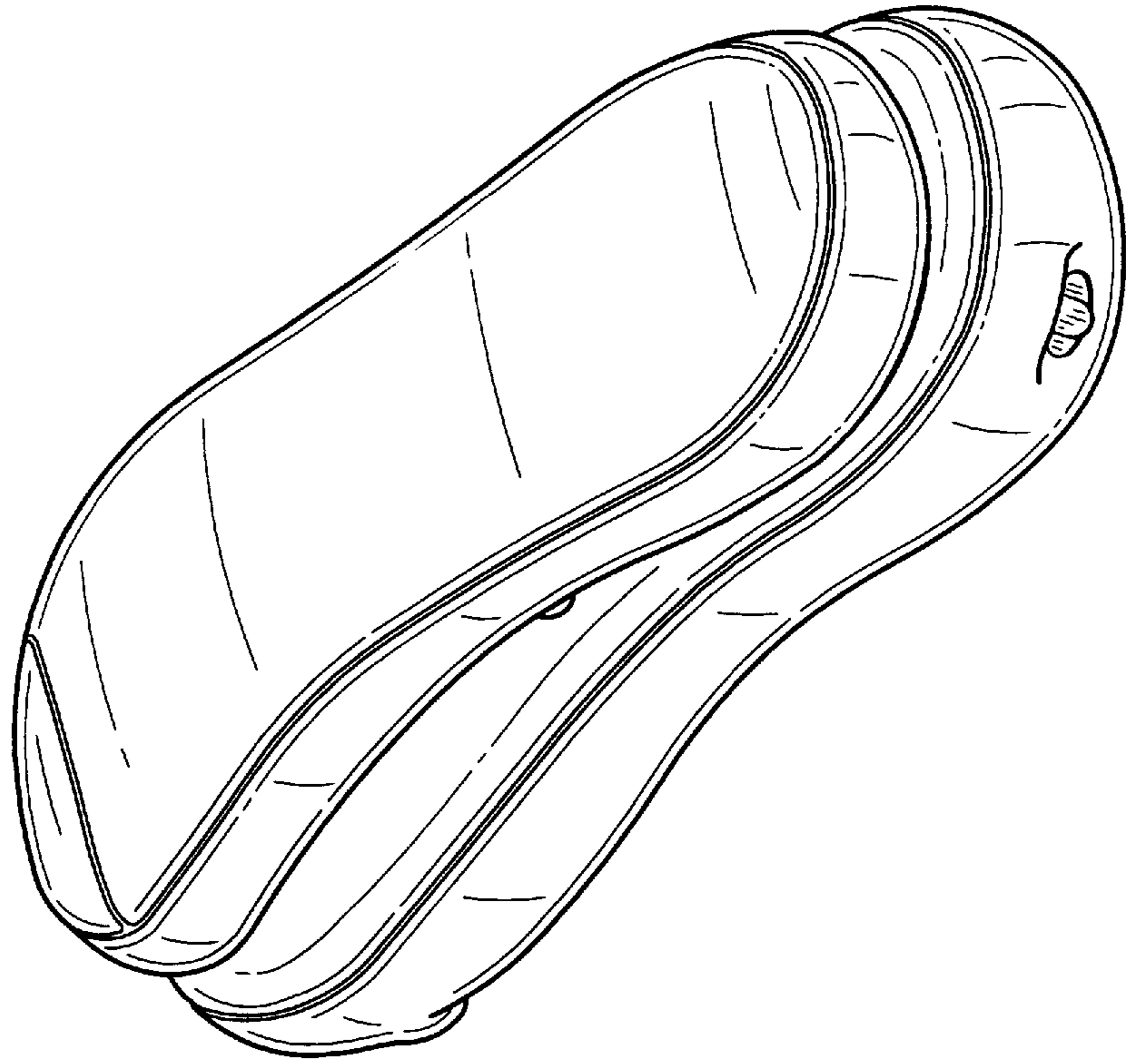


FIG-7