



US00D403676S

United States Patent [19]

Scheid et al.

[11] **Patent Number:** **Des. 403,676**

[45] **Date of Patent:** ****Jan. 5, 1999**

[54] **COMMUNICATION DEVICE**

[75] Inventors: **William Joseph Scheid**, Coral Springs;
Emory Douglas Carroll, Boynton Beach, both of Fla.

[73] Assignee: **Motorola, Inc.**, Schaumburg, Ill.

[**] Term: **14 Years**

[21] Appl. No.: **72,492**

[22] Filed: **Jun. 17, 1997**

[51] **LOC (6) Cl.** **14-03**

[52] **U.S. Cl.** **D14/191**

[58] **Field of Search** D14/124, 188,
D14/191, 192, 299; 340/311.1; 455/92,
100, 128, 344

[56] **References Cited**

U.S. PATENT DOCUMENTS

- D. 342,736 12/1993 Scheid et al. D14/191
- D. 364,870 12/1995 Scheid et al. D14/191

- D. 374,441 10/1996 Castilla et al. D14/191
- D. 377,019 12/1996 Nagano et al. D14/191

Primary Examiner—Ted Shooman
Assistant Examiner—Nanda Bondade
Attorney, Agent, or Firm—James A. Lamb

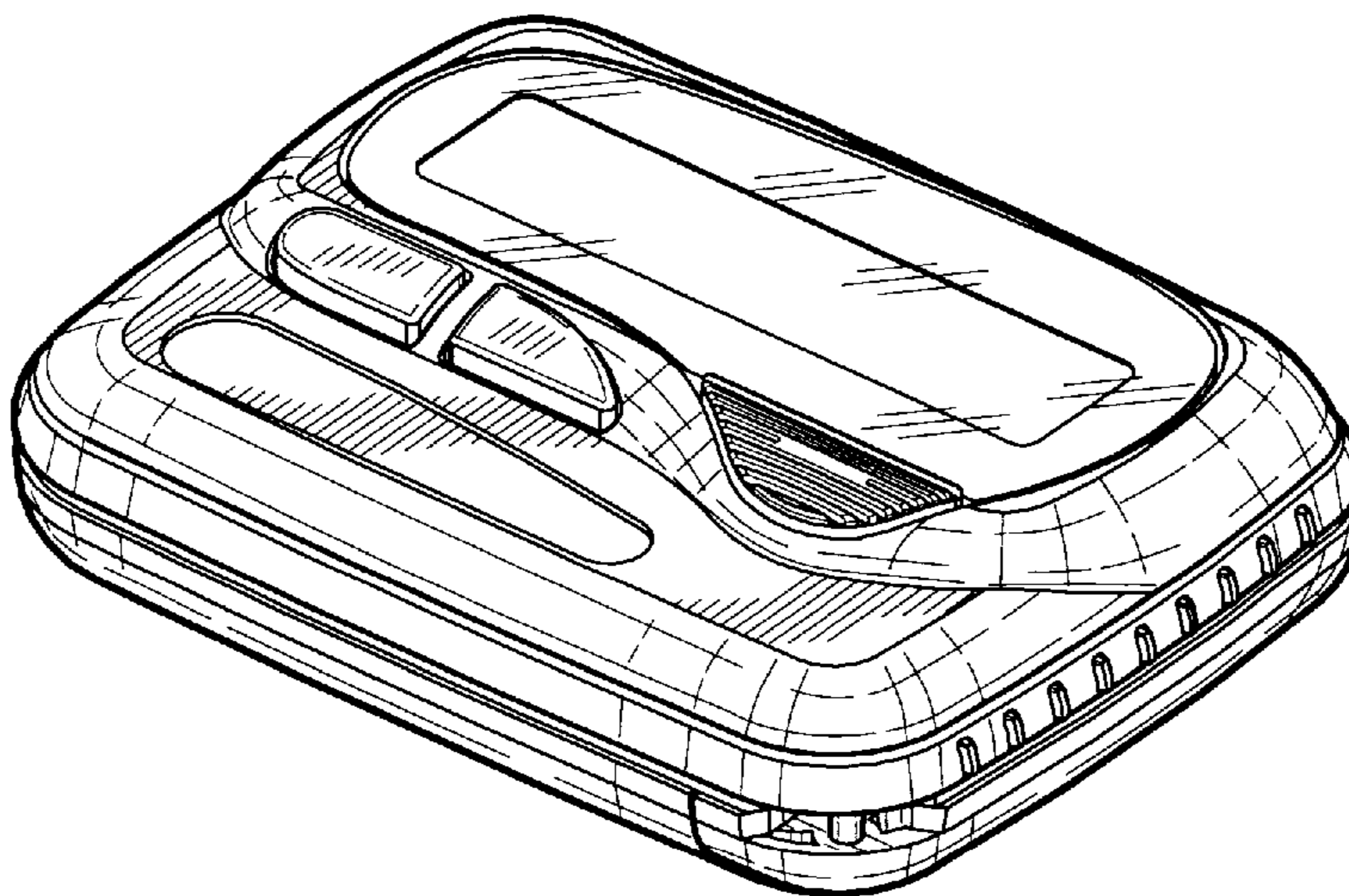
[57] **CLAIM**

The ornamental design for a communication device, as shown and described.

DESCRIPTION

FIG. 1 is a front view of the preferred embodiment of a communication device showing our new design; FIG. 2 is a top view thereof; FIG. 3 is a rear view thereof; FIG. 4 is a left side view thereof; FIG. 5 is a right side elevational view thereof; FIG. 6 is a bottom view thereof; and, FIG. 7 is a front, bottom, and right side perspective view thereof.

1 Claim, 3 Drawing Sheets



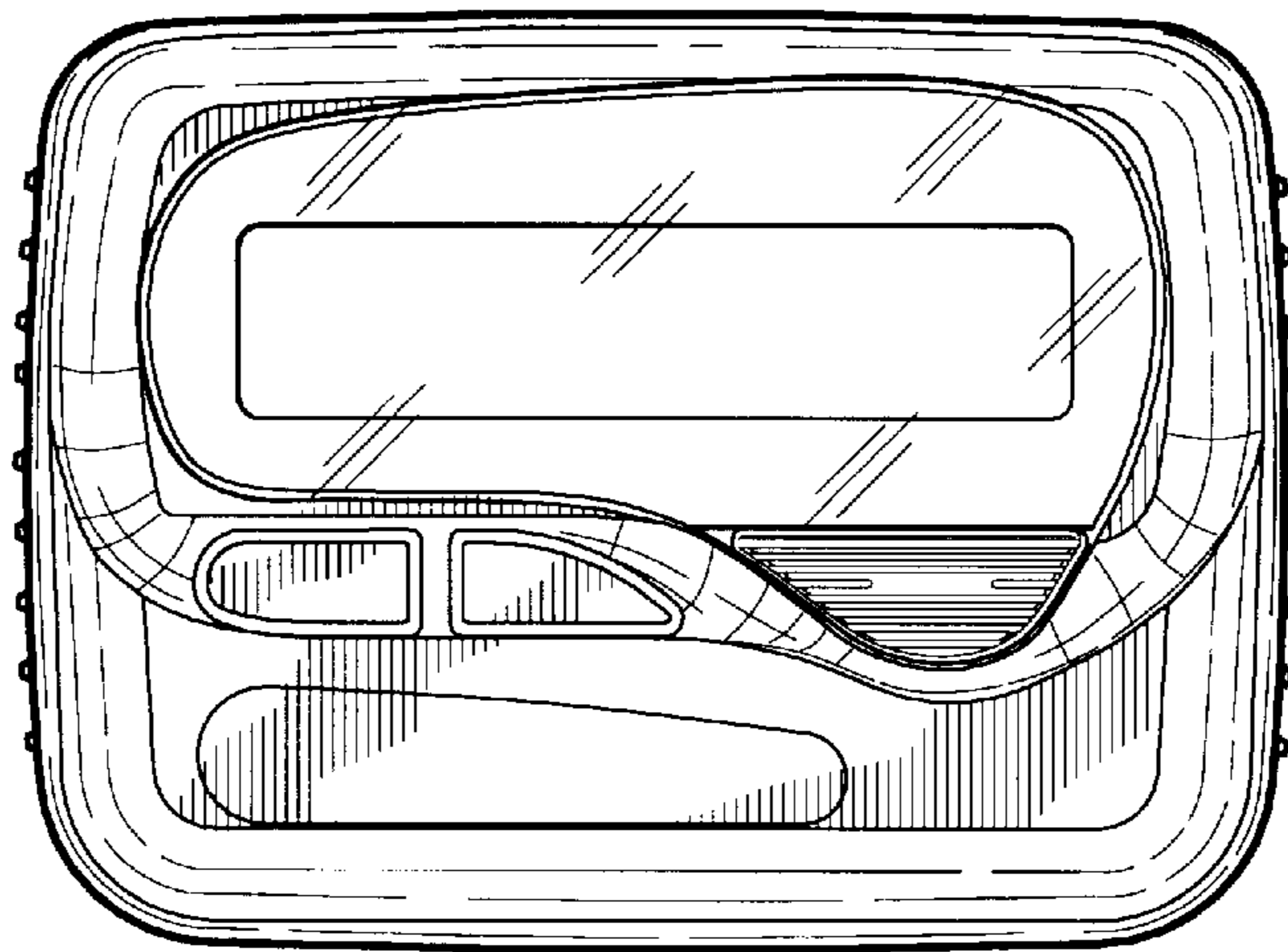


FIG. 1

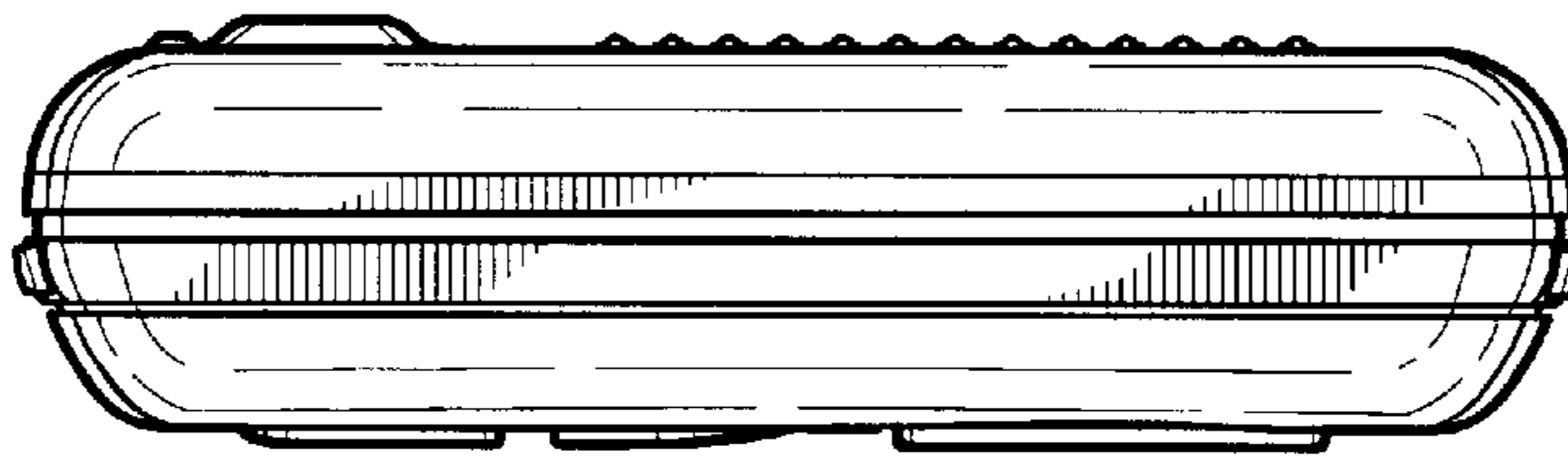


FIG. 2

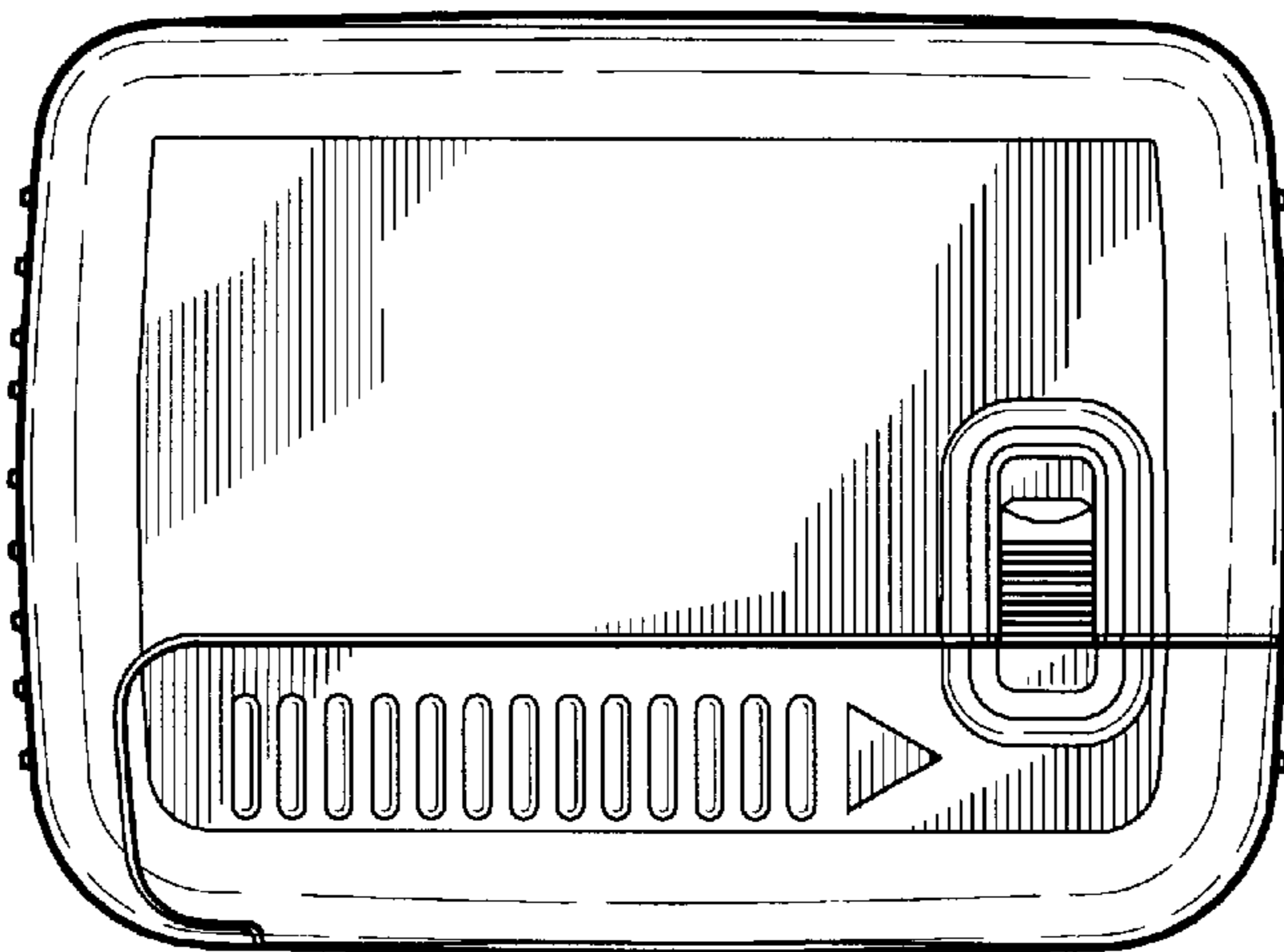


FIG. 3

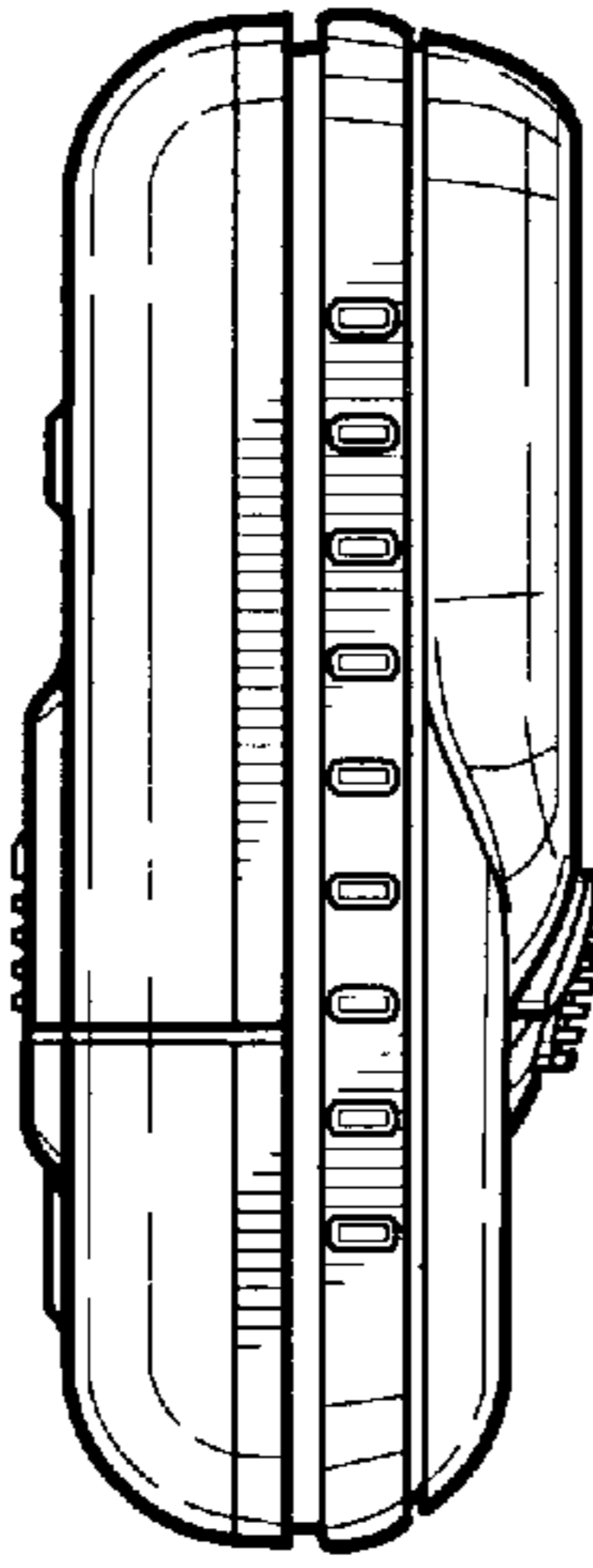


FIG. 4

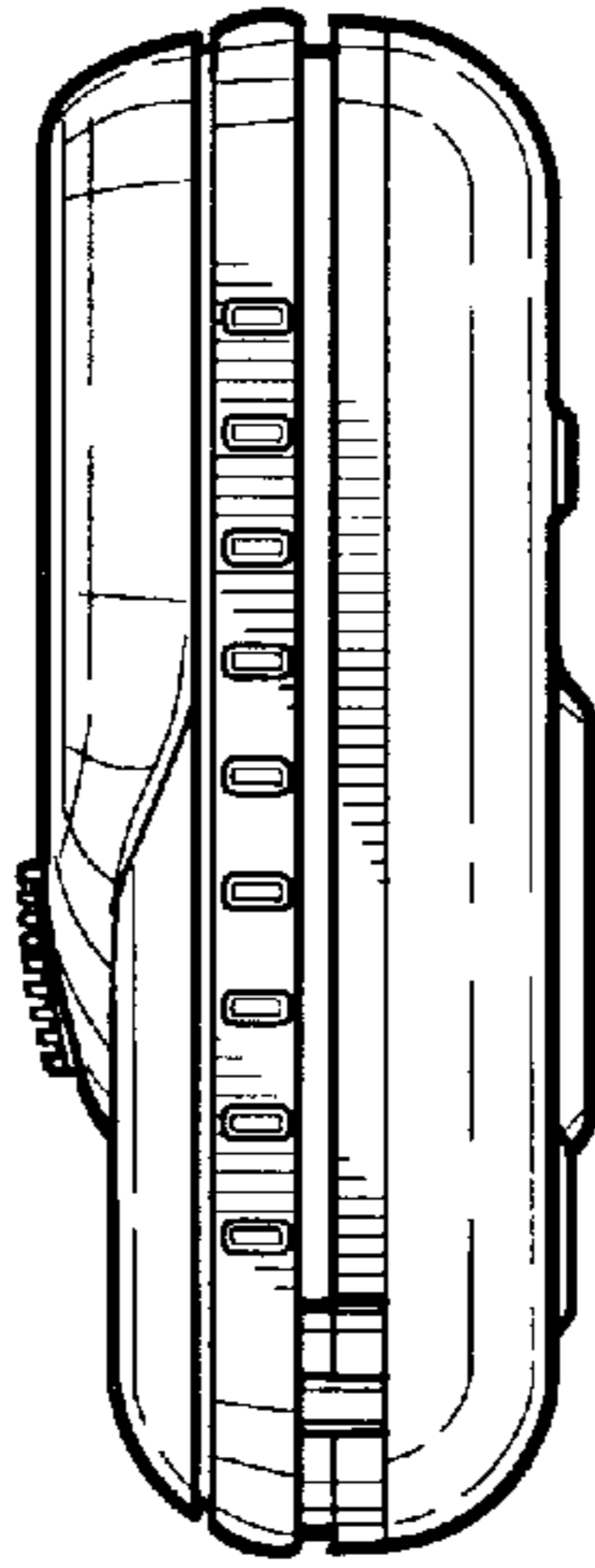


FIG. 5

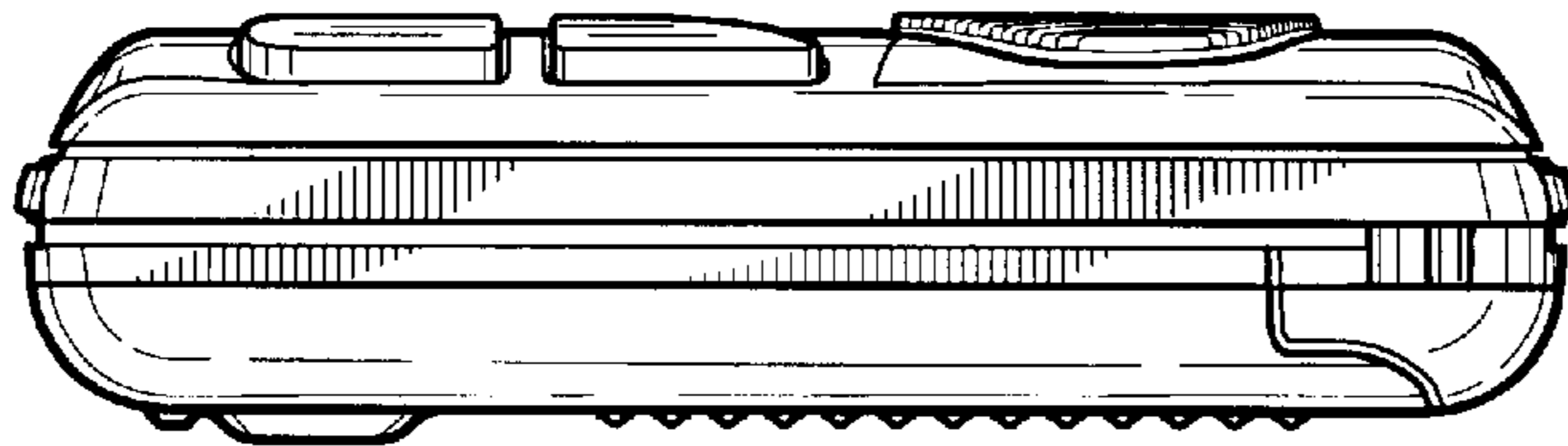


FIG. 6

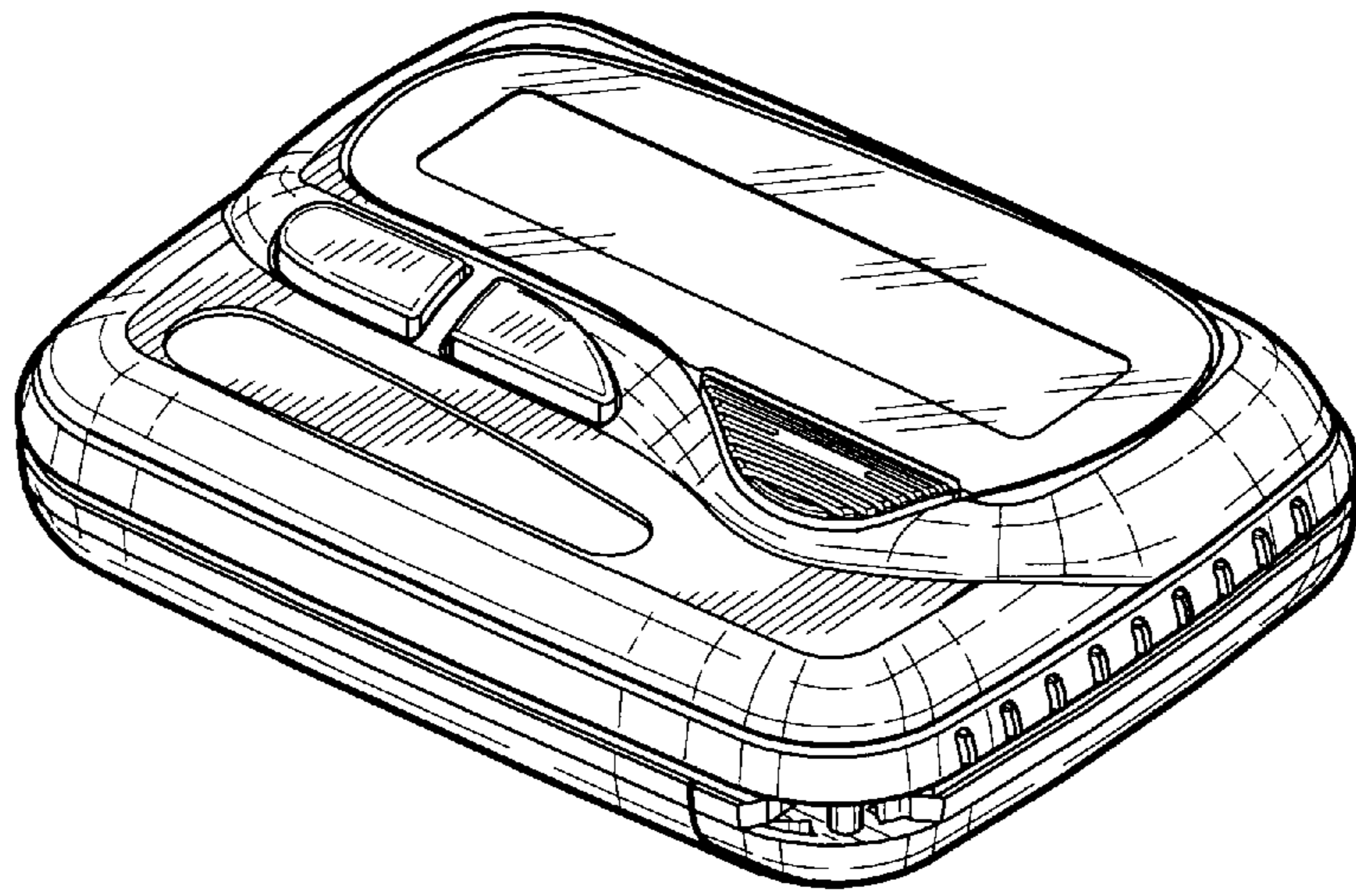


FIG. 7