



US00D403670S

# United States Patent [19] Liao

[11] **Patent Number: Des. 403,670**

[45] **Date of Patent: \*\*Jan. 5, 1999**

[54] **LIQUID CRYSTAL DISPLAY**

[76] Inventor: **Chun-Chi Liao**, No. 9, Lane 126, Min Sheng Road, Taichung City, Taiwan

[\*\*] Term: **14 Years**

[21] Appl. No.: **80,442**

[22] Filed: **Dec. 9, 1997**

[51] **LOC (6) Cl. .... 14-02**

[52] **U.S. Cl. .... D14/113; D14/126**

[58] **Field of Search** ..... D14/100, 101, D14/113, 106, 124-129; 248/917-924; 345/104, 133, 156, 168, 87, 173, 901-905; 348/180, 184, 325, 739

[56] **References Cited**

### U.S. PATENT DOCUMENTS

D. 354,952 1/1995 Rodd ..... D14/113  
D. 360,196 7/1995 Cox et al. .... D14/105

D. 363,468 10/1995 Miki et al. .... D14/100  
D. 387,040 12/1997 Iino ..... D14/113

*Primary Examiner*—Freda Nunn

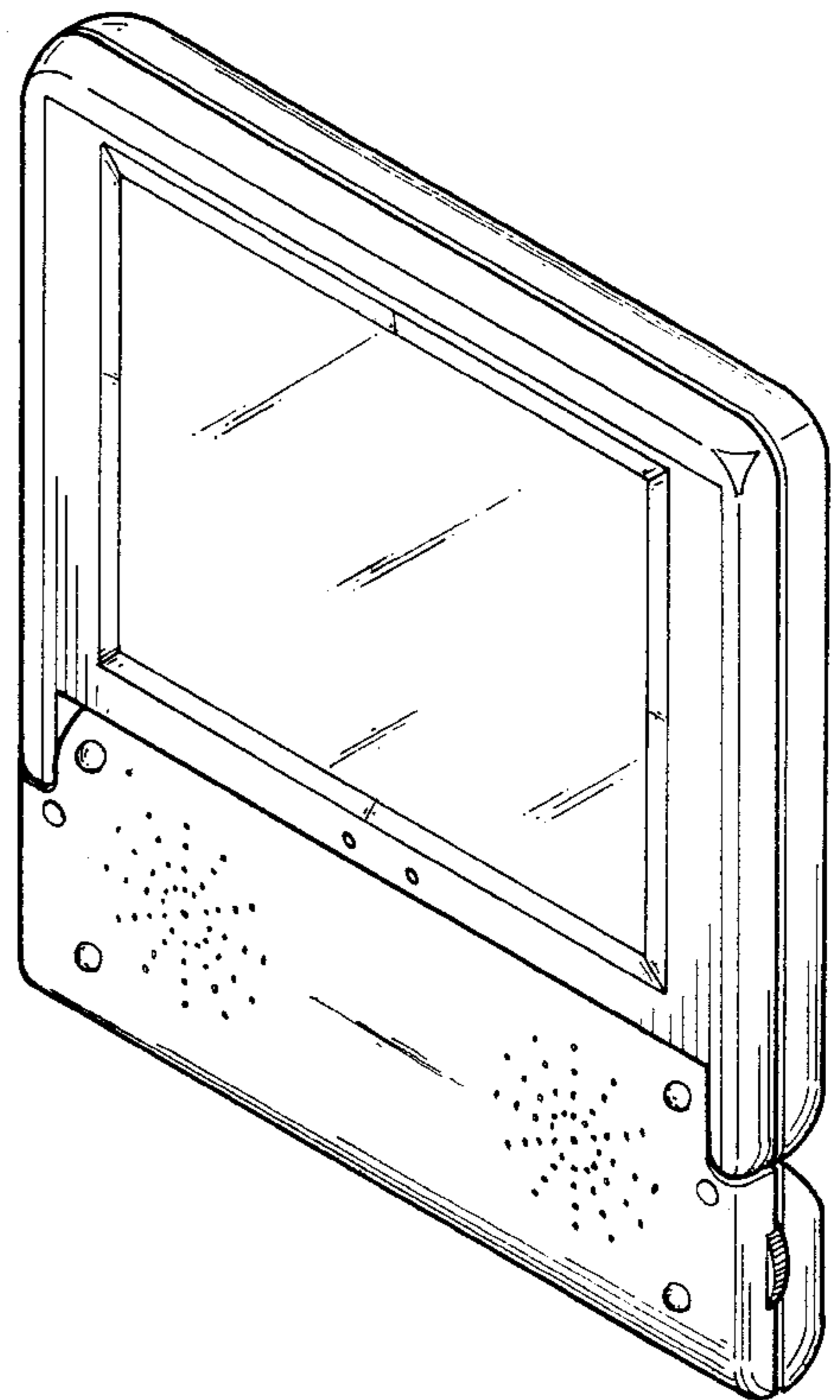
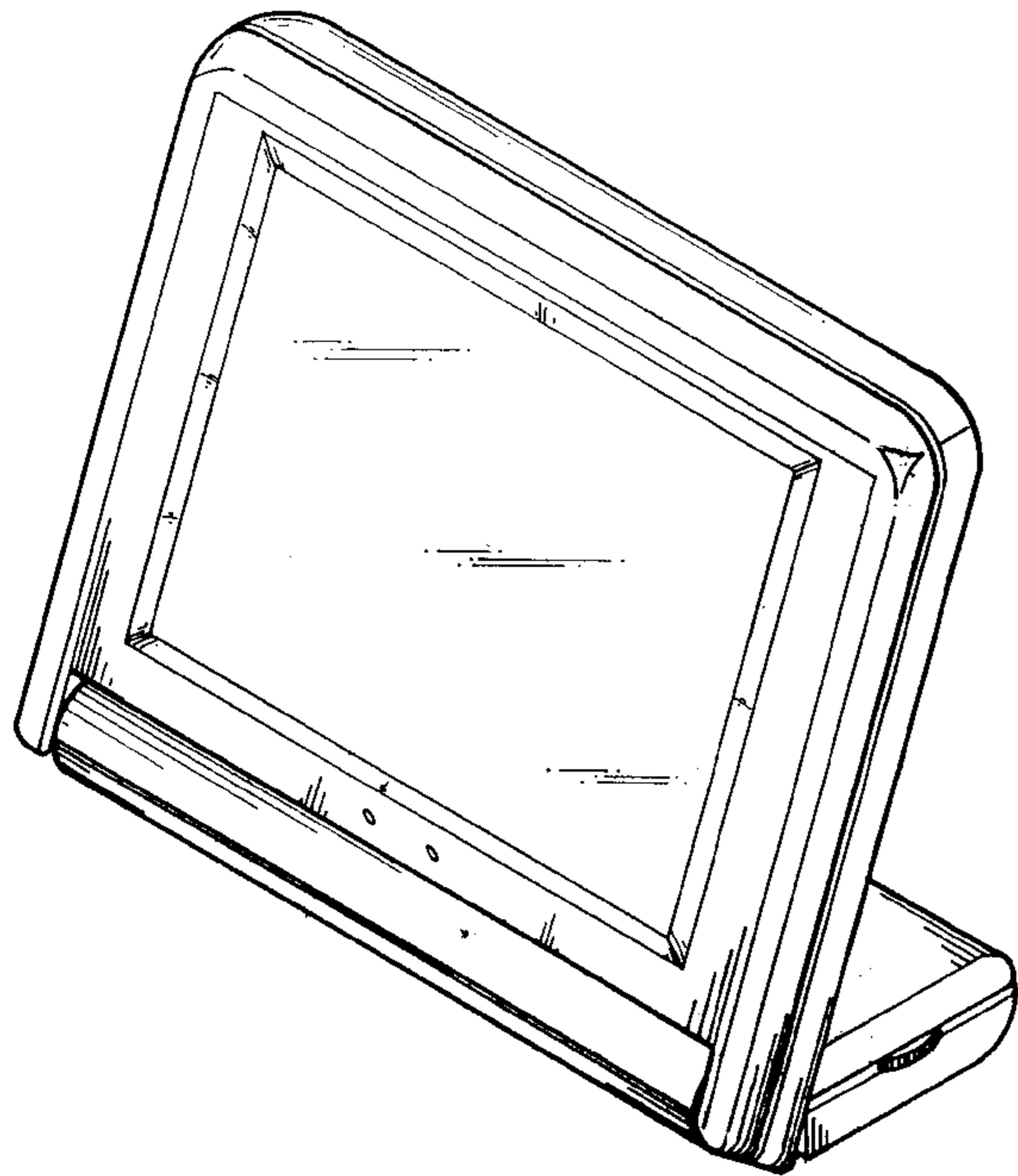
[57] **CLAIM**

The ornamental design for a liquid crystal display, as shown and described.

### DESCRIPTION

FIG. 1 is a perspective view of liquid crystal display showing my new design;  
FIG. 2 is a front elevational view thereof;  
FIG. 3 is a rear elevational view thereof;  
FIG. 4 is a left side elevational view thereof;  
FIG. 5 is a right side elevational view thereof;  
FIG. 6 is a top view thereof;  
FIG. 7 is a bottom view thereof; and,  
FIG. 8 is a perspective view showing operation of liquid crystal display.

**1 Claim, 7 Drawing Sheets**



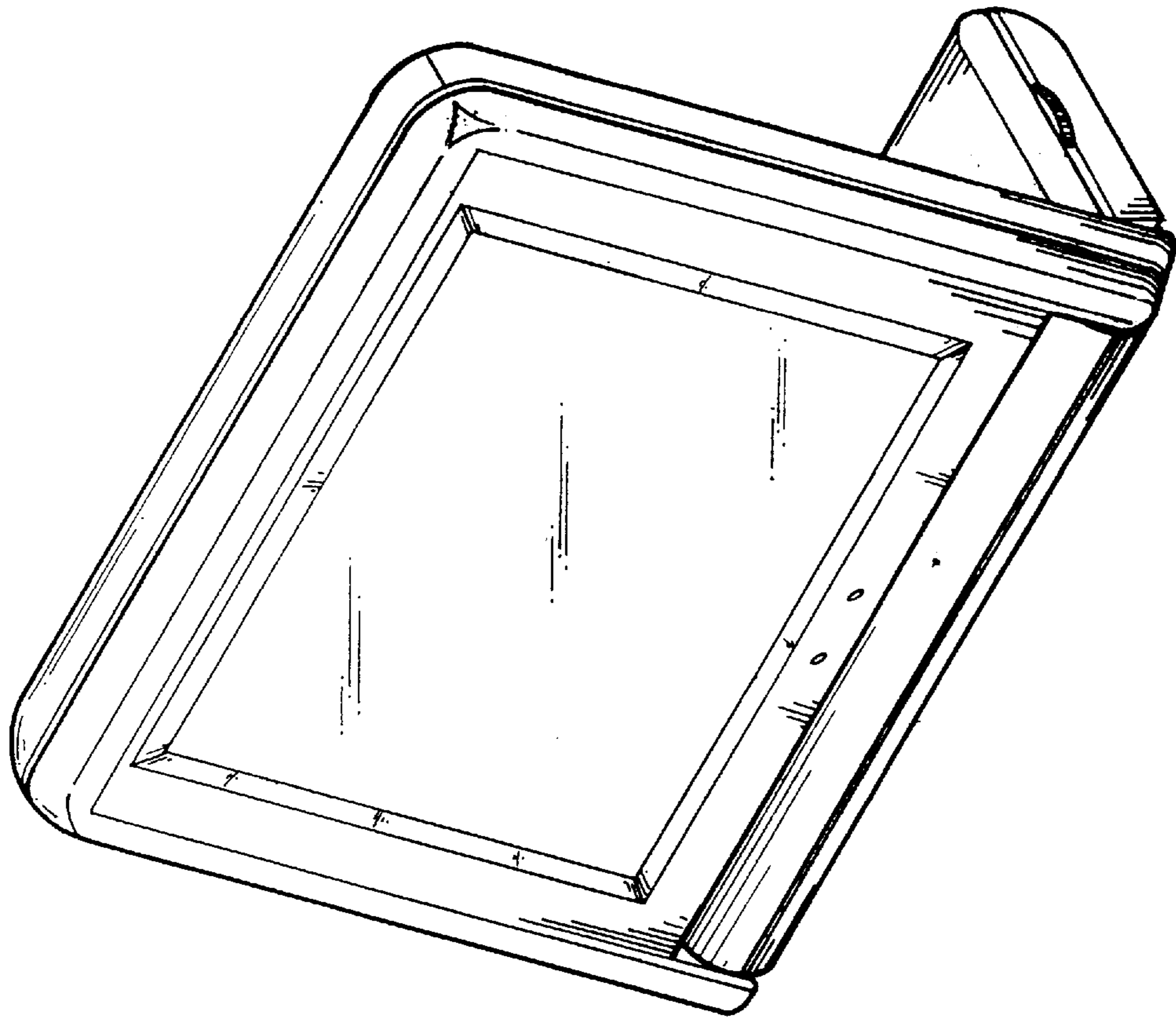


FIG 1

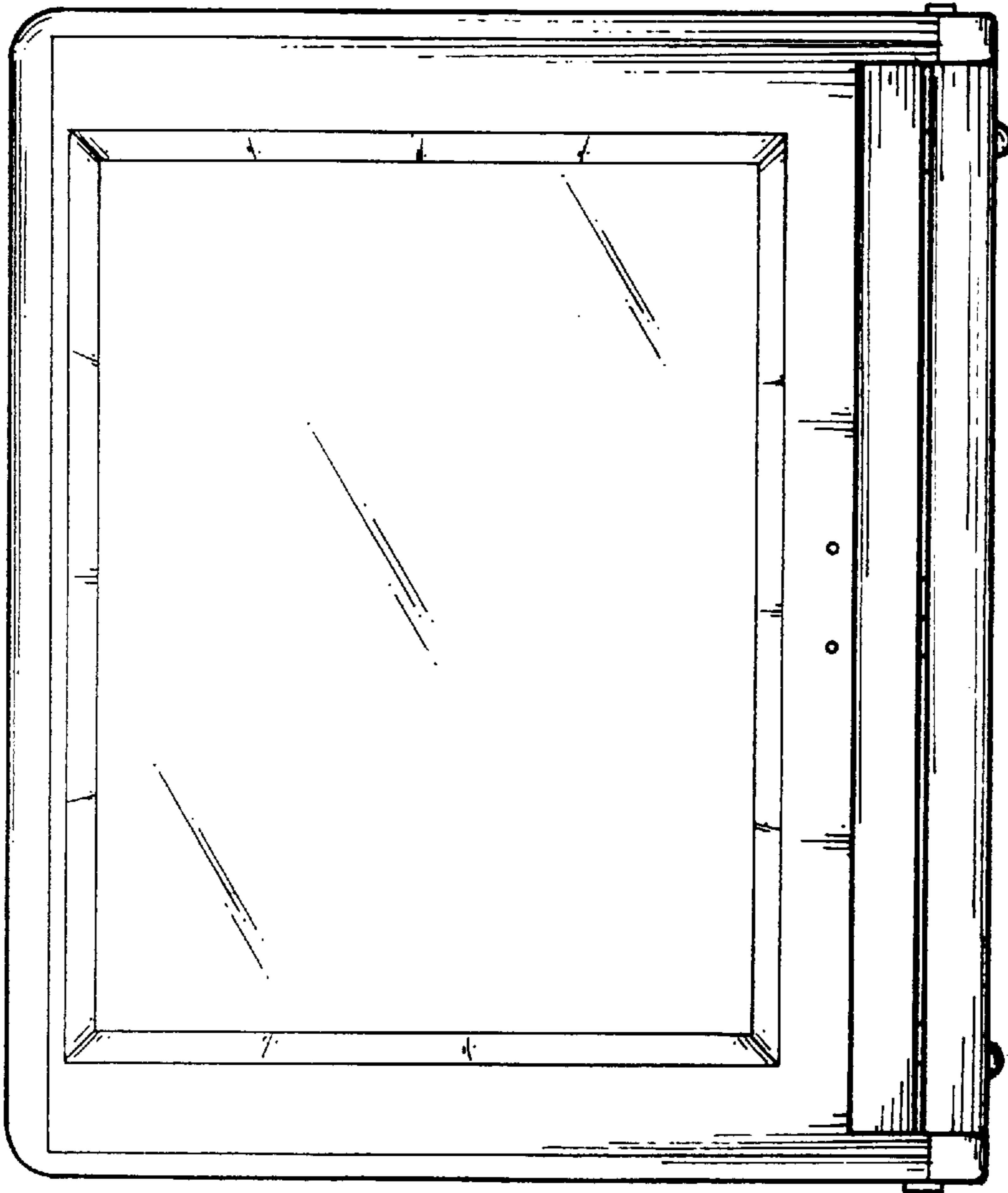


FIG 2

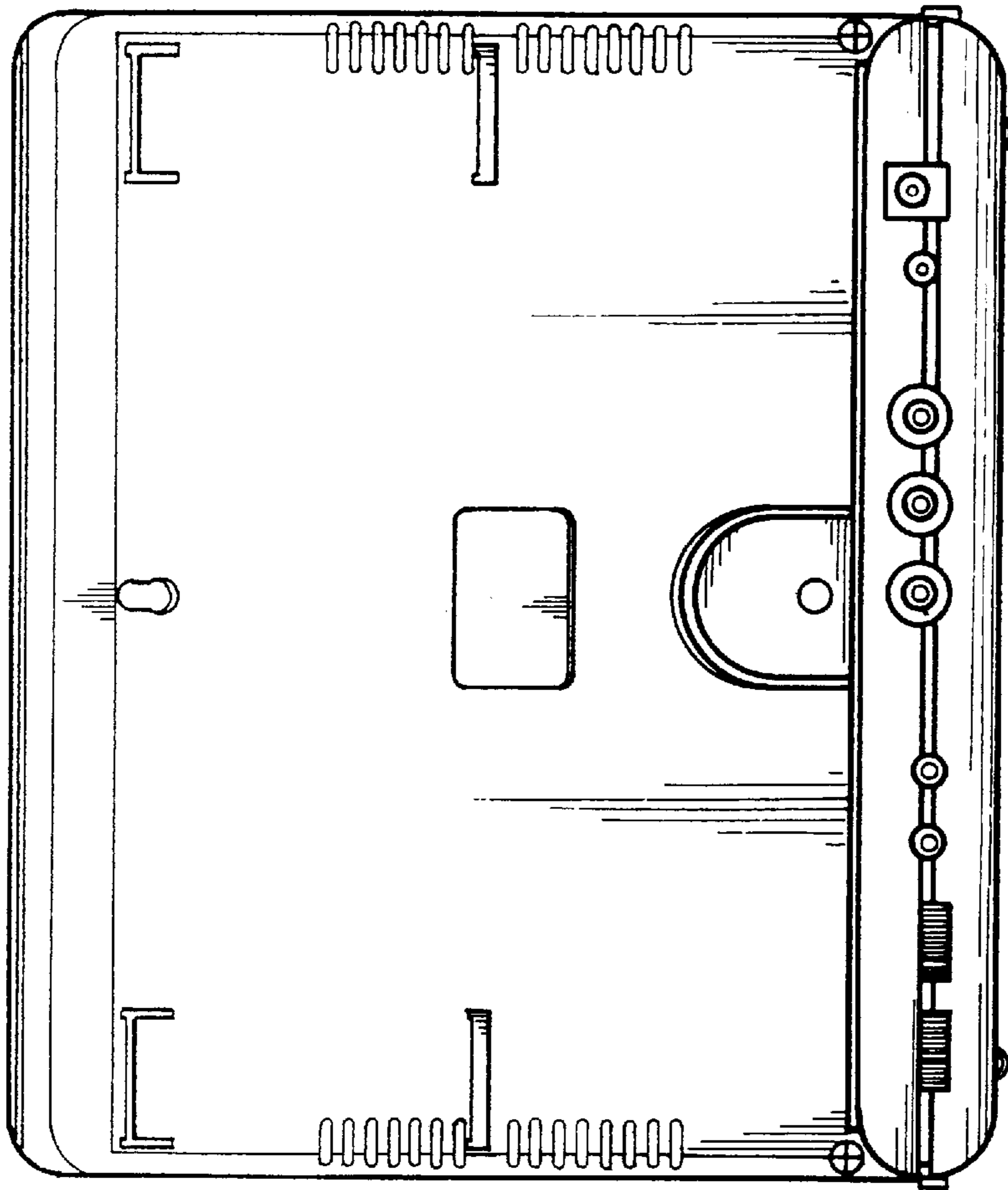


FIG 3

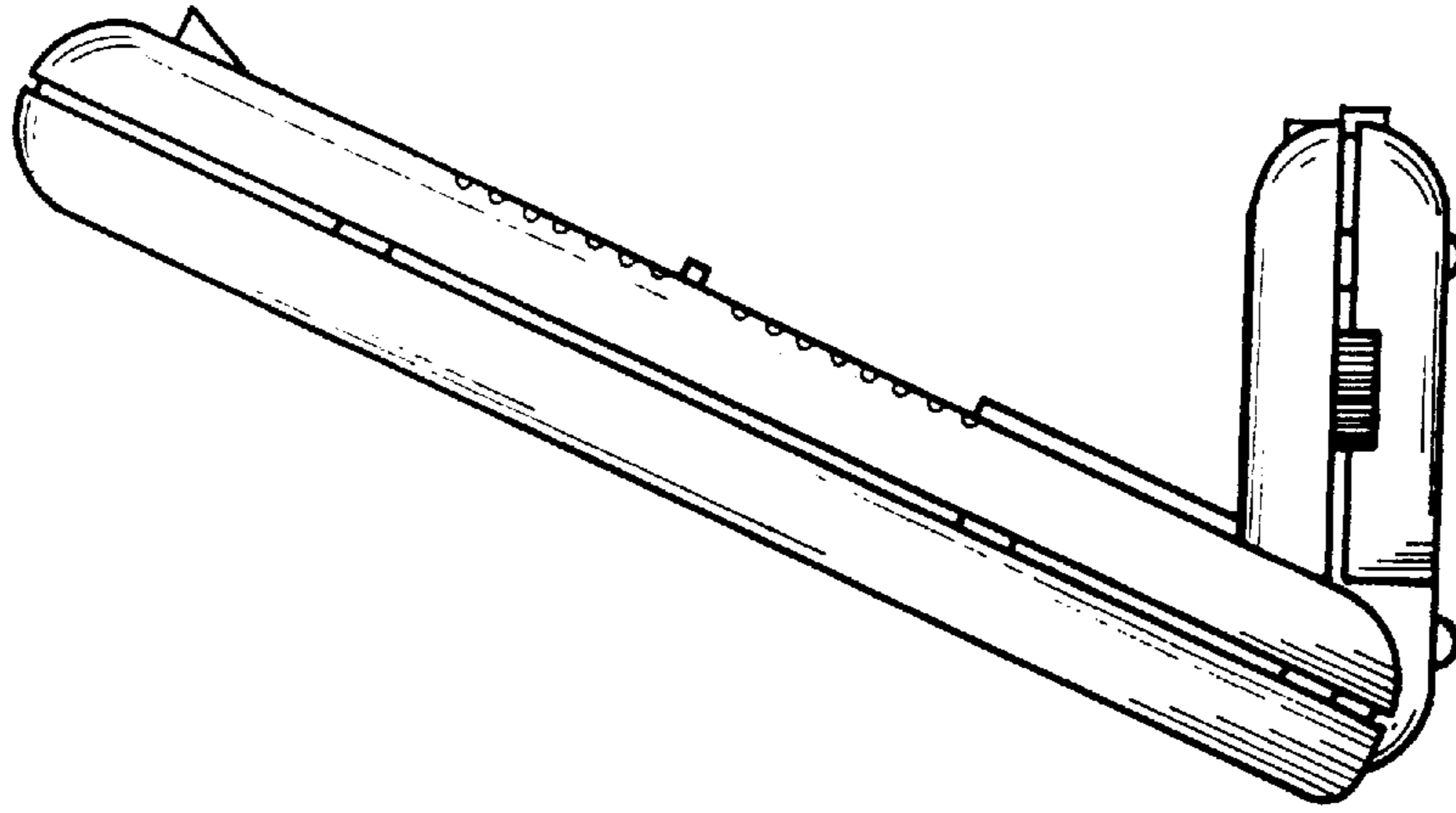


FIG 5

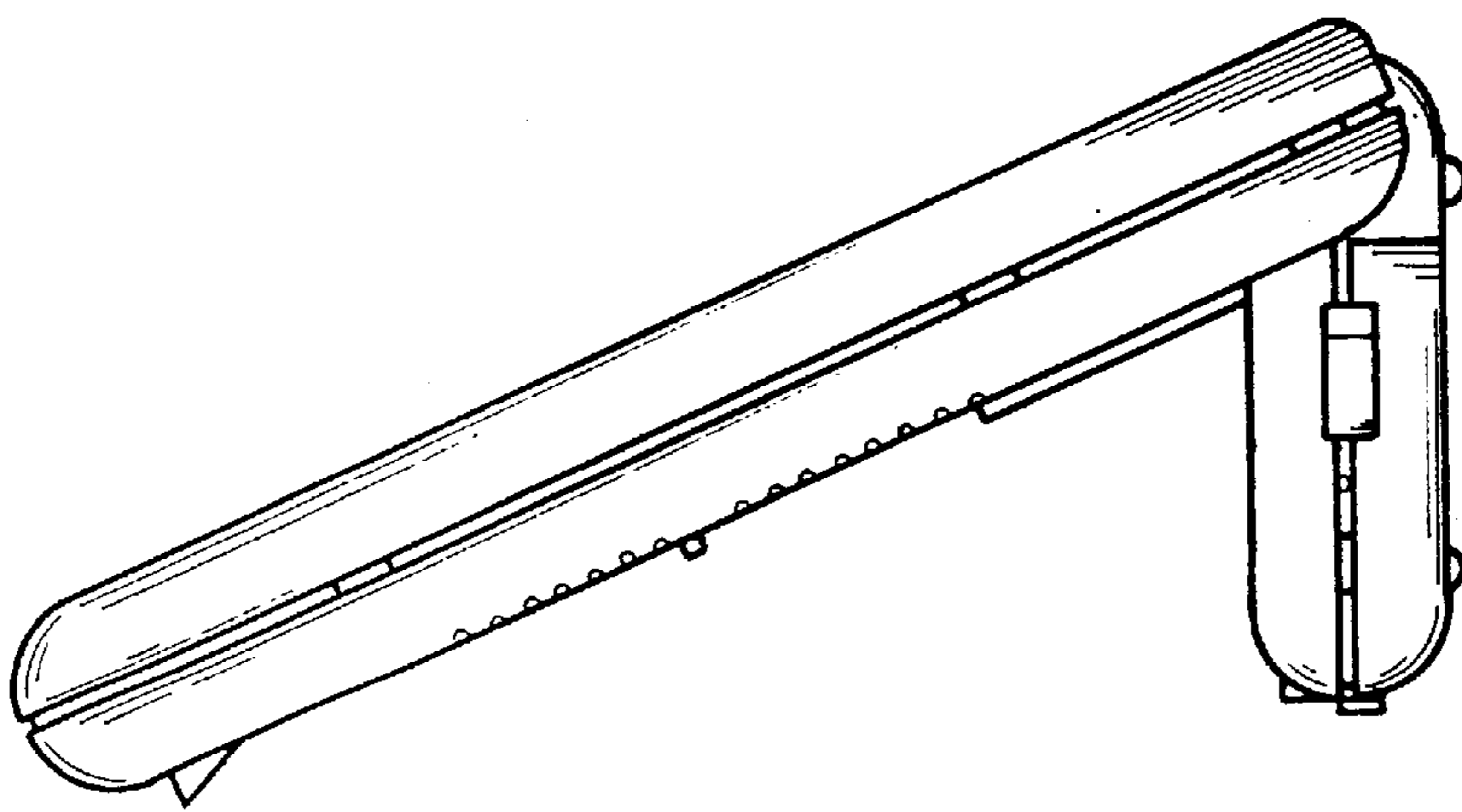


FIG 4

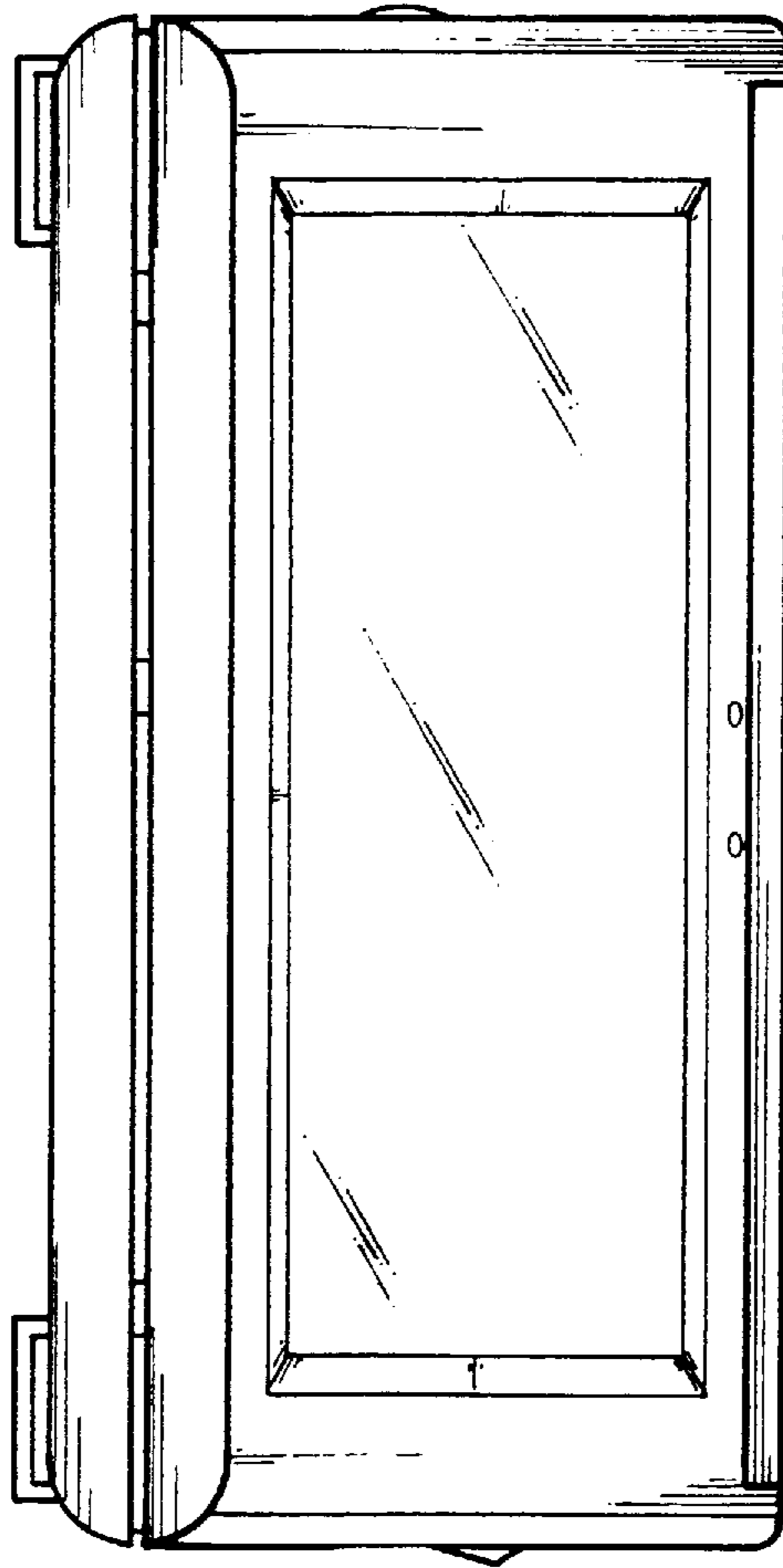


FIG 6

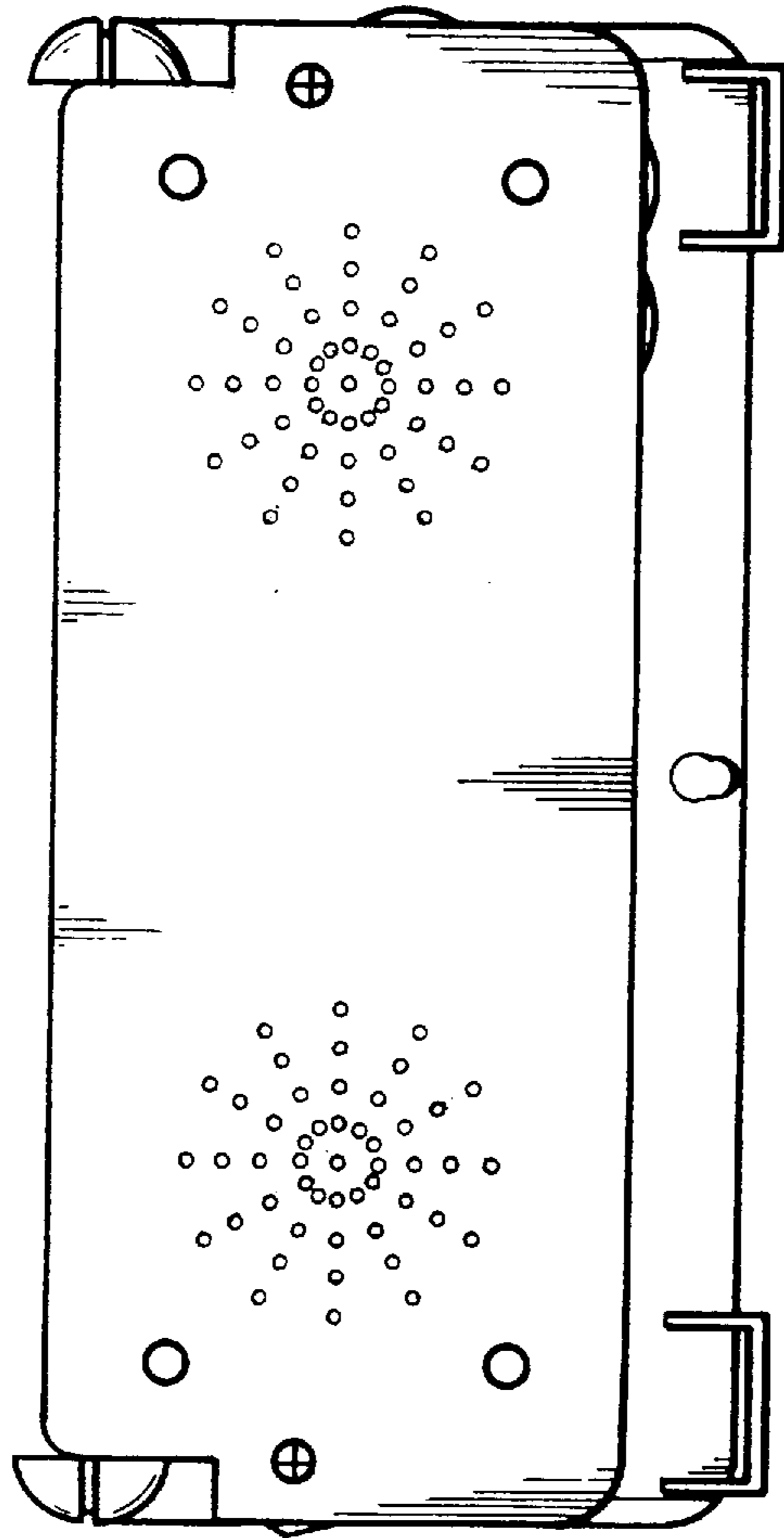


FIG 7

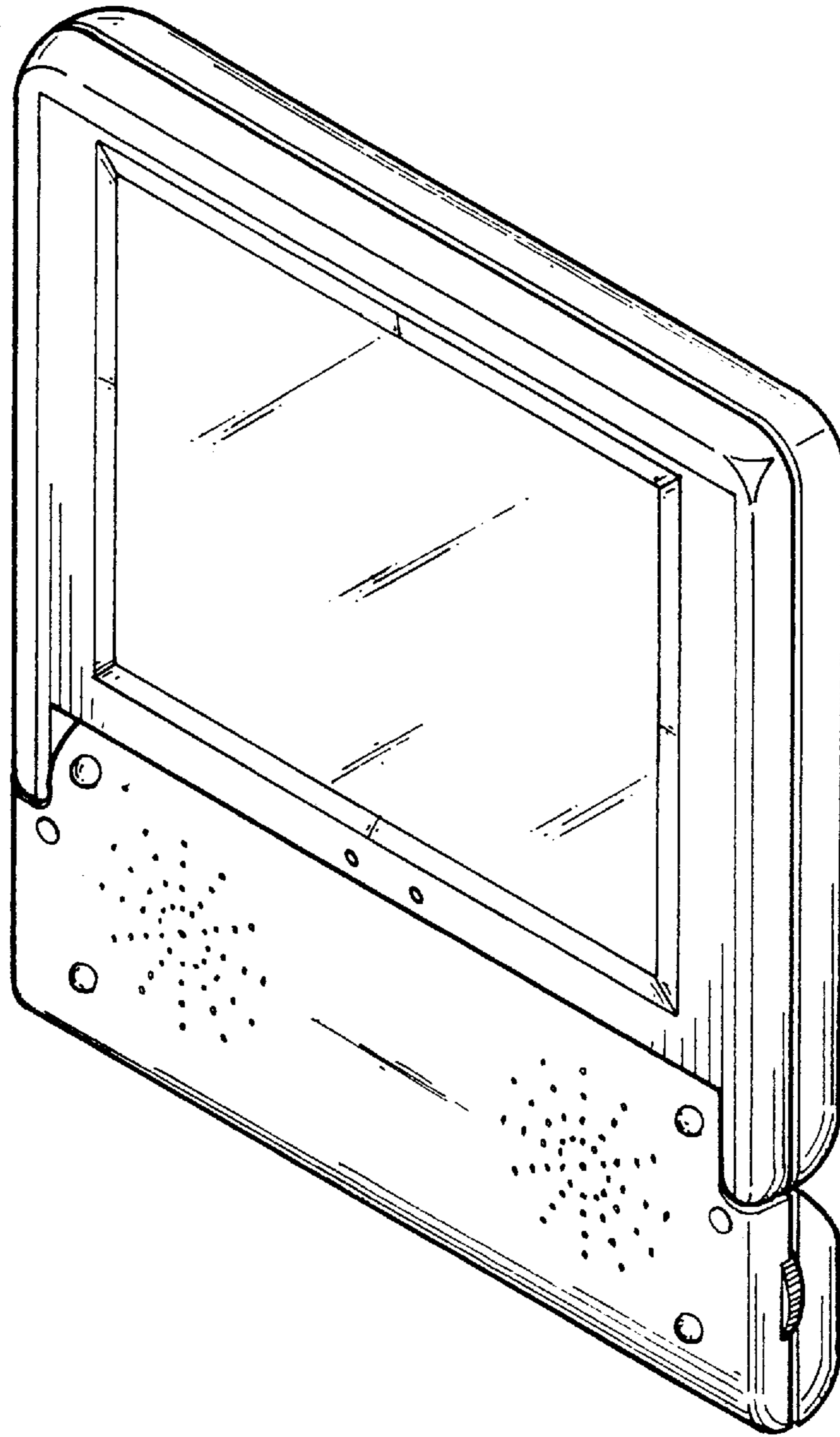


FIG 8