



US00D403668S

United States Patent [19]

Parent

[11] **Patent Number:** **Des. 403,668**

[45] **Date of Patent:** ****Jan. 5, 1999**

[54] **DATA COMMUNICATIONS DEVICE**

[75] Inventor: **Charles L. Parent**, Eatontown, N.J.

[73] Assignee: **Paradyne Corporation**, Largo, Fla.

[**] Term: **14 Years**

[21] Appl. No.: **80,113**

[22] Filed: **Oct. 22, 1997**

[51] **LOC (6) Cl.** **14-02**

[52] **U.S. Cl.** **D14/100; D14/109**

[58] **Field of Search** D14/100, 102,
D14/107-109; D13/162, 184, 199; D6/432,
436, 445, 448; 312/208.1; 360/97.01, 97.04,
99.12; 361/694, 696, 730, 732; 369/34,
36

[56] **References Cited**

U.S. PATENT DOCUMENTS

D. 295,178 4/1988 Pedinielli et al. D14/107

D. 367,852 3/1996 Iino et al. D14/107
D. 367,854 3/1996 Iino et al. D14/107
D. 371,789 7/1996 Weissberg et al. D14/188

Primary Examiner—Freda Nunn
Attorney, Agent, or Firm—Thomas, Kayden, Horstemeyer
& Riskey, L.L.P.

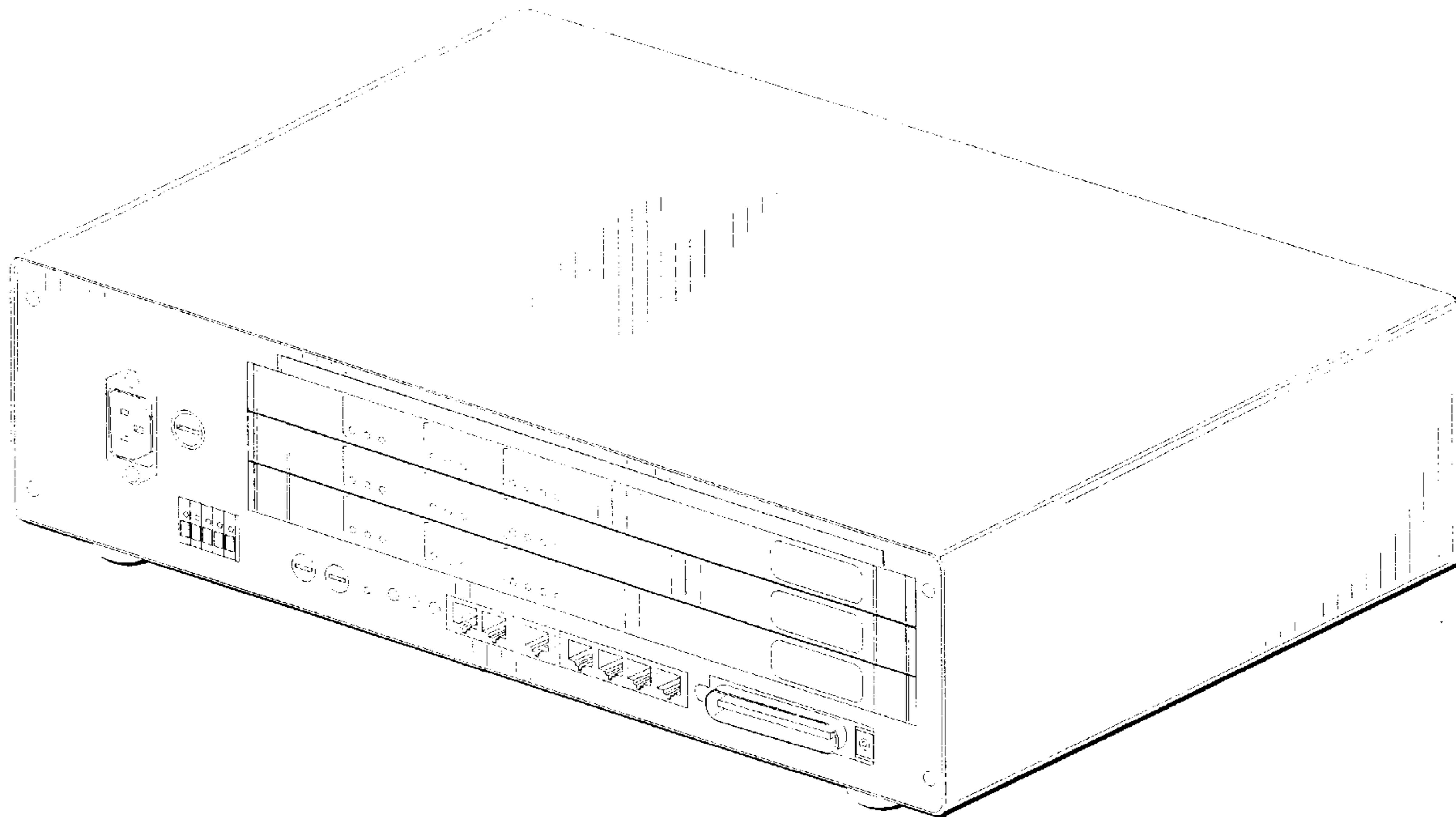
[57] **CLAIM**

The ornamental design for a data communications device, as shown and described.

DESCRIPTION

FIG. 1 is a perspective view showing my new data communications device;
FIG. 2 is a front view thereof;
FIG. 3 is a back side view thereof;
FIG. 4 is a right side view thereof, the left side view thereof being a mirror image of that which is shown;
FIG. 5 is a top view thereof; and,
FIG. 6 is a bottom view thereof.

1 Claim, 2 Drawing Sheets



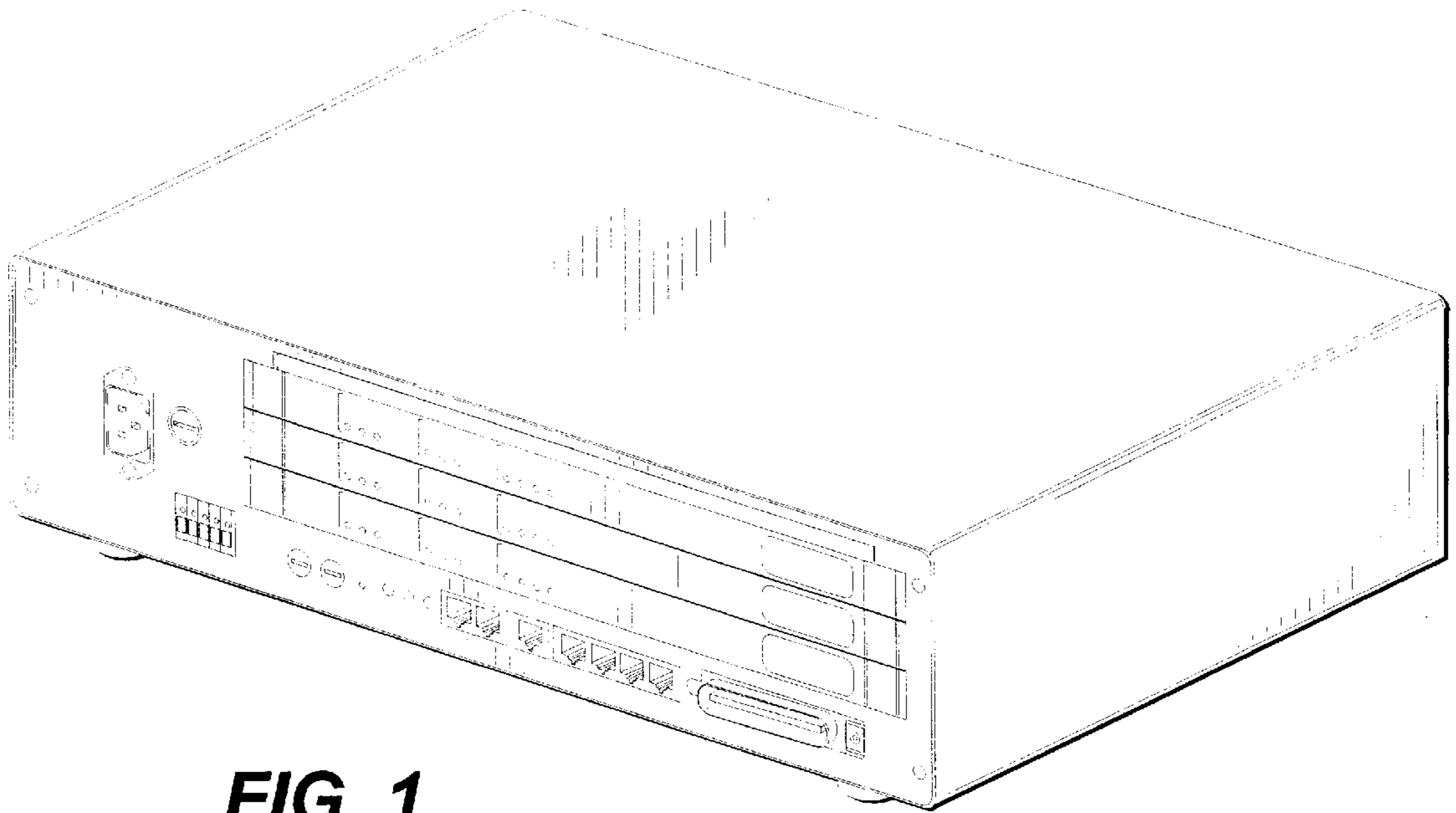


FIG. 1

FIG. 2

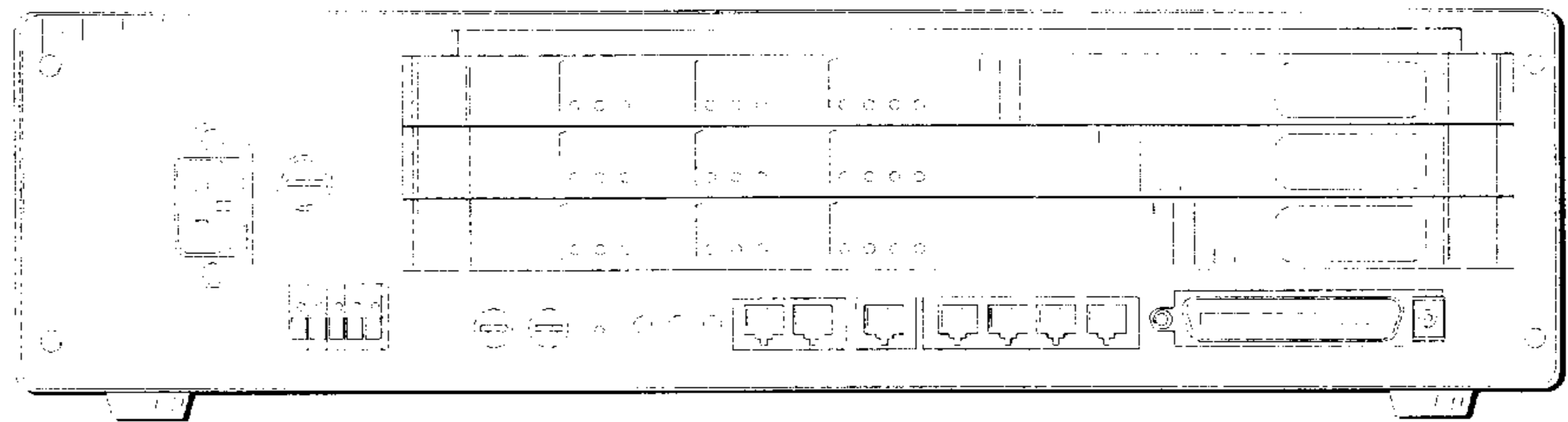


FIG. 3

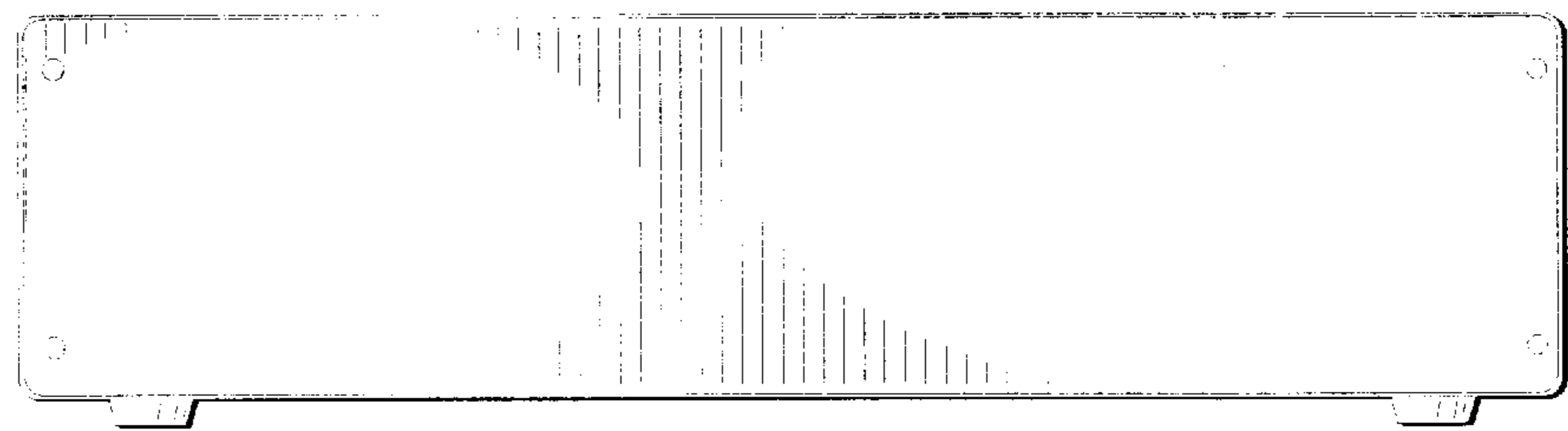
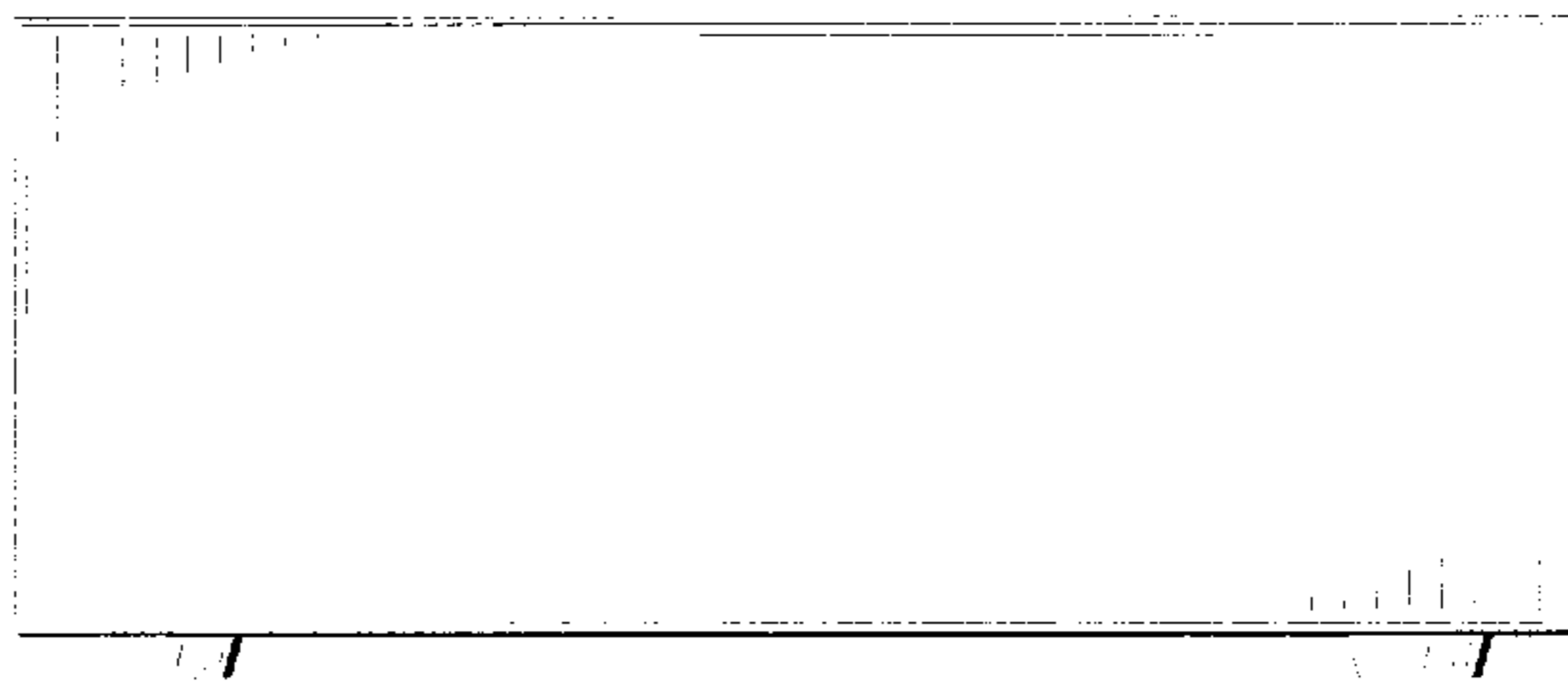


FIG. 4



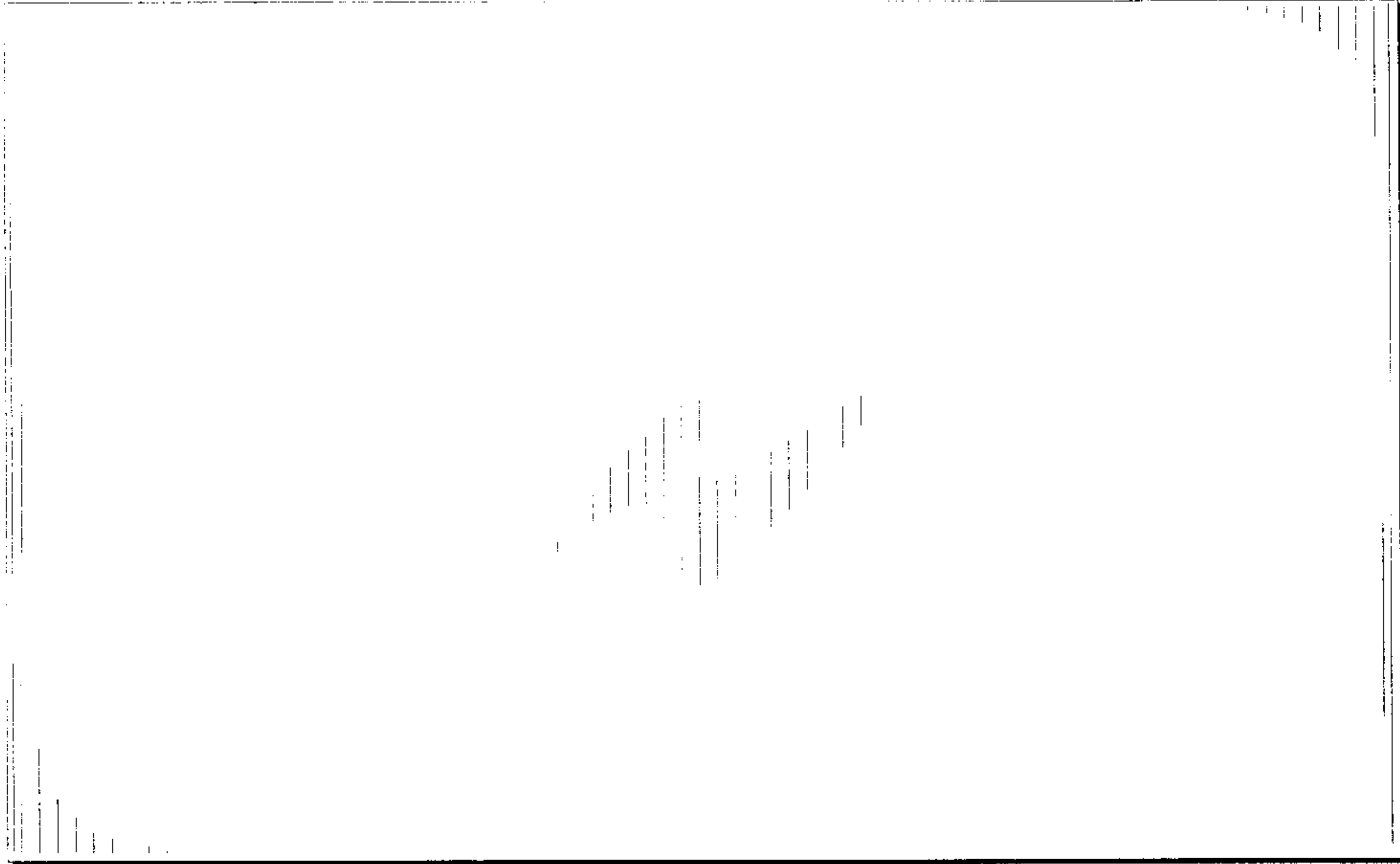


FIG. 5

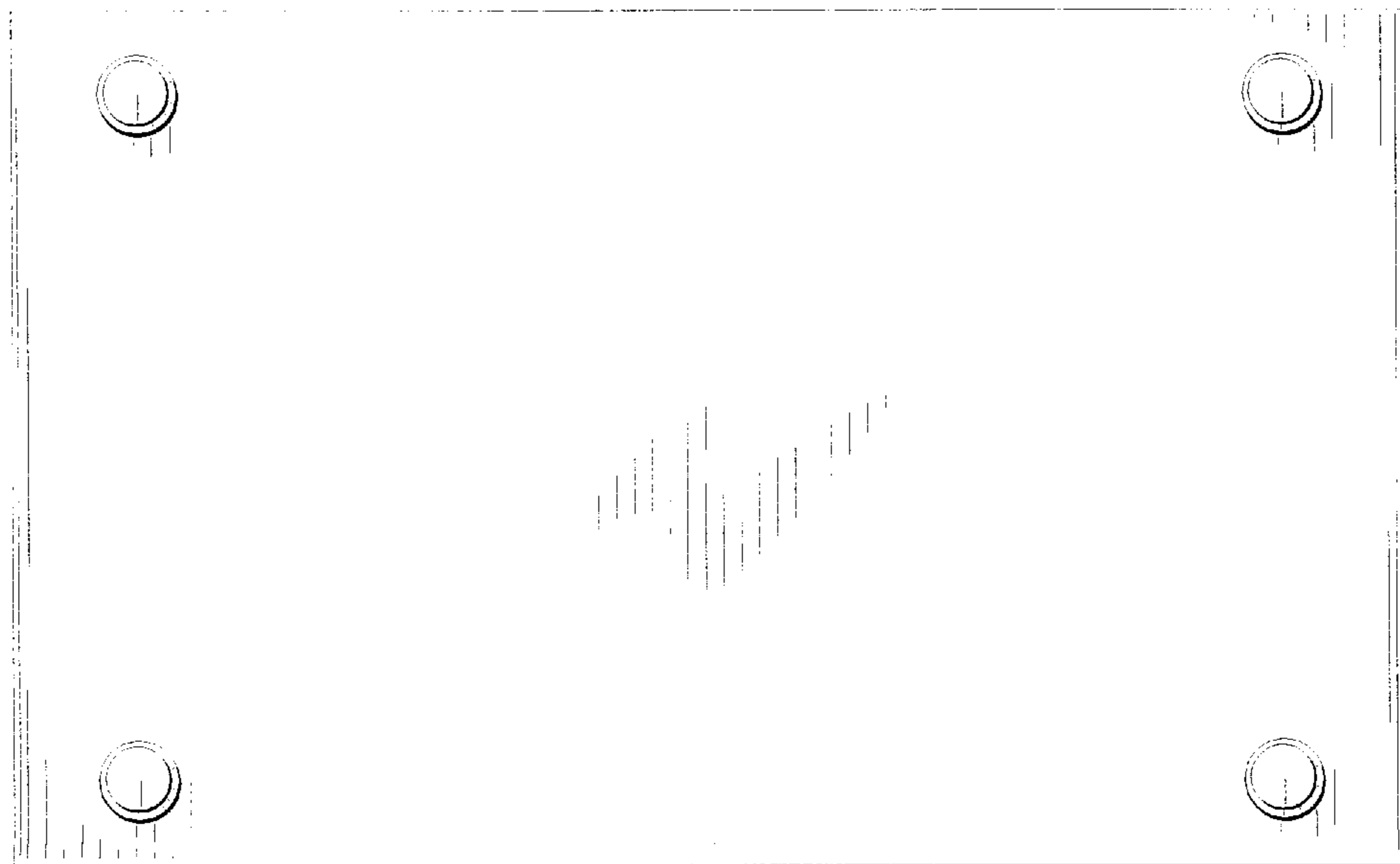


FIG. 6