



US00D403666S

# United States Patent [19]

Maack et al.

[11] **Patent Number:** **Des. 403,666**

[45] **Date of Patent:** **\*\*Jan. 5, 1999**

[54] **HEAT SINK**

D. 368,253	3/1996	Graves	.....	D13/179
5,335,722	8/1994	Wu	.....	145/122
5,504,652	4/1996	Foster et al.	.....	361/704

[75] Inventors: **Timothy R. Maack**, Mesa, Ariz.;  
**David Serpell-Morris**, Thousand Oaks,  
Calif.; **J. Carroll Mays**, Woodland  
Hills, Calif.; **Bob Duane Wake**,  
Altadena, Calif.

*Primary Examiner*—James Gandy  
*Assistant Examiner*—Cathron B. Matta  
*Attorney, Agent, or Firm*—Warner Norcross & Judd LLP

[73] Assignee: **Rockford Corporation**, Tempe, Ariz.

[57] **CLAIM**

[\*\*] Term: **14 Years**

The ornamental design for heat sink, as shown and described.

[21] Appl. No.: **85,928**

### DESCRIPTION

[22] Filed: **Apr. 1, 1998**

### Related U.S. Application Data

[62] Division of Ser. No. 67,375, Feb. 27, 1997.

[51] **LOC (6) Cl.** ..... **13-03**

[52] **U.S. Cl.** ..... **D13/179**

[58] **Field of Search** ..... D13/179; 174/15.1,  
174/16.3; 257/718, 719, 722, 736, 796;  
165/80.2, 80.3, 185; 361/704, 709, 710,  
110

FIG. 1 is a perspective view of the heat sink embodying the new design;

FIG. 2 is a top plan view thereof;

FIG. 3 is a rear elevational view thereof;

FIG. 4 is a front elevational view thereof; and,

FIG. 5 is a right side elevational view thereof, the left side being a mirror image thereof.

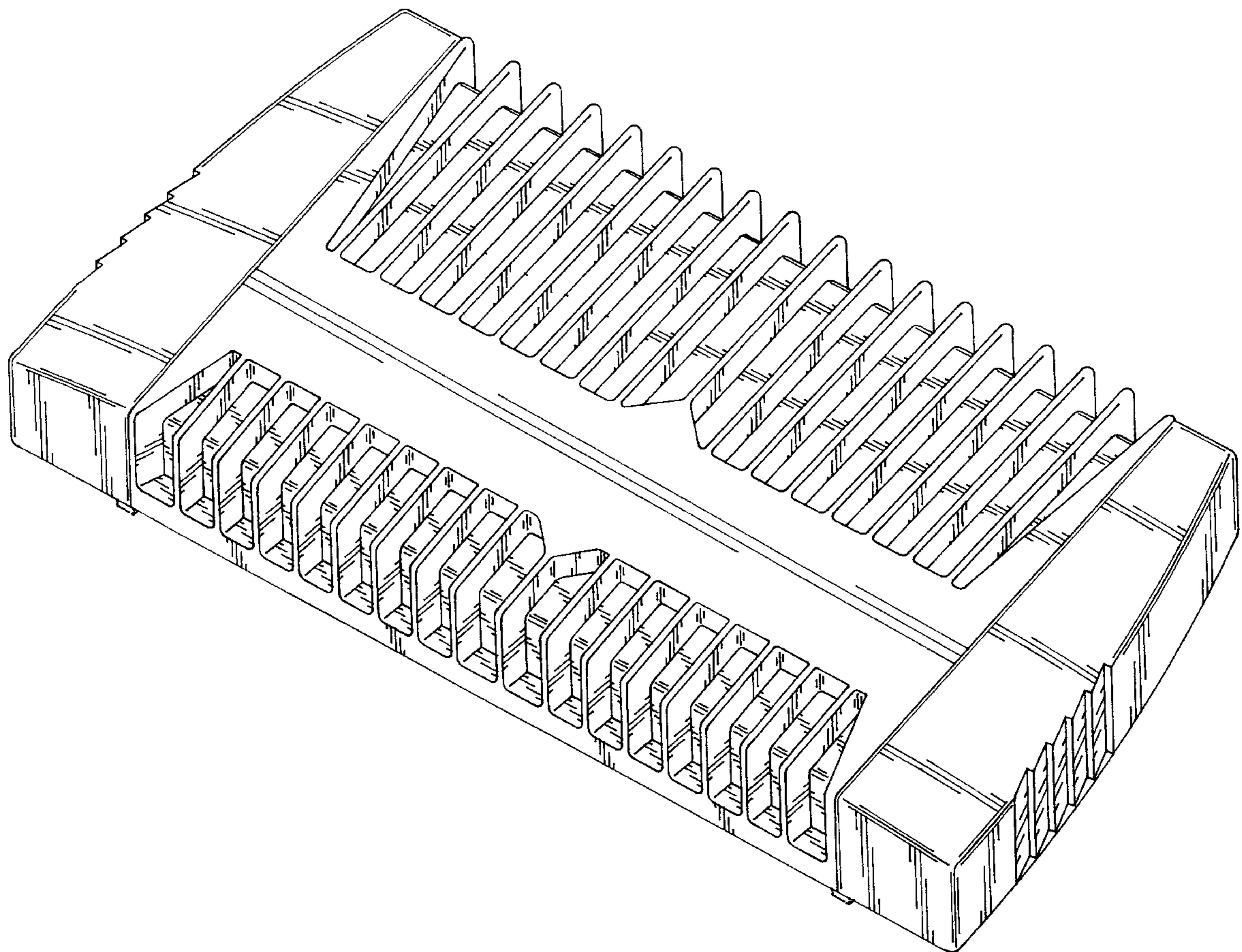
The bottom of the heat sink forms no part of the claimed design. The broken line showing of supports in FIGS. 3-5 is for illustrative purposes only and forms no part of the claimed design.

### [56] **References Cited**

#### U.S. PATENT DOCUMENTS

D. 260,513 9/1981 Comstock ..... D13/179 X

**1 Claim, 3 Drawing Sheets**



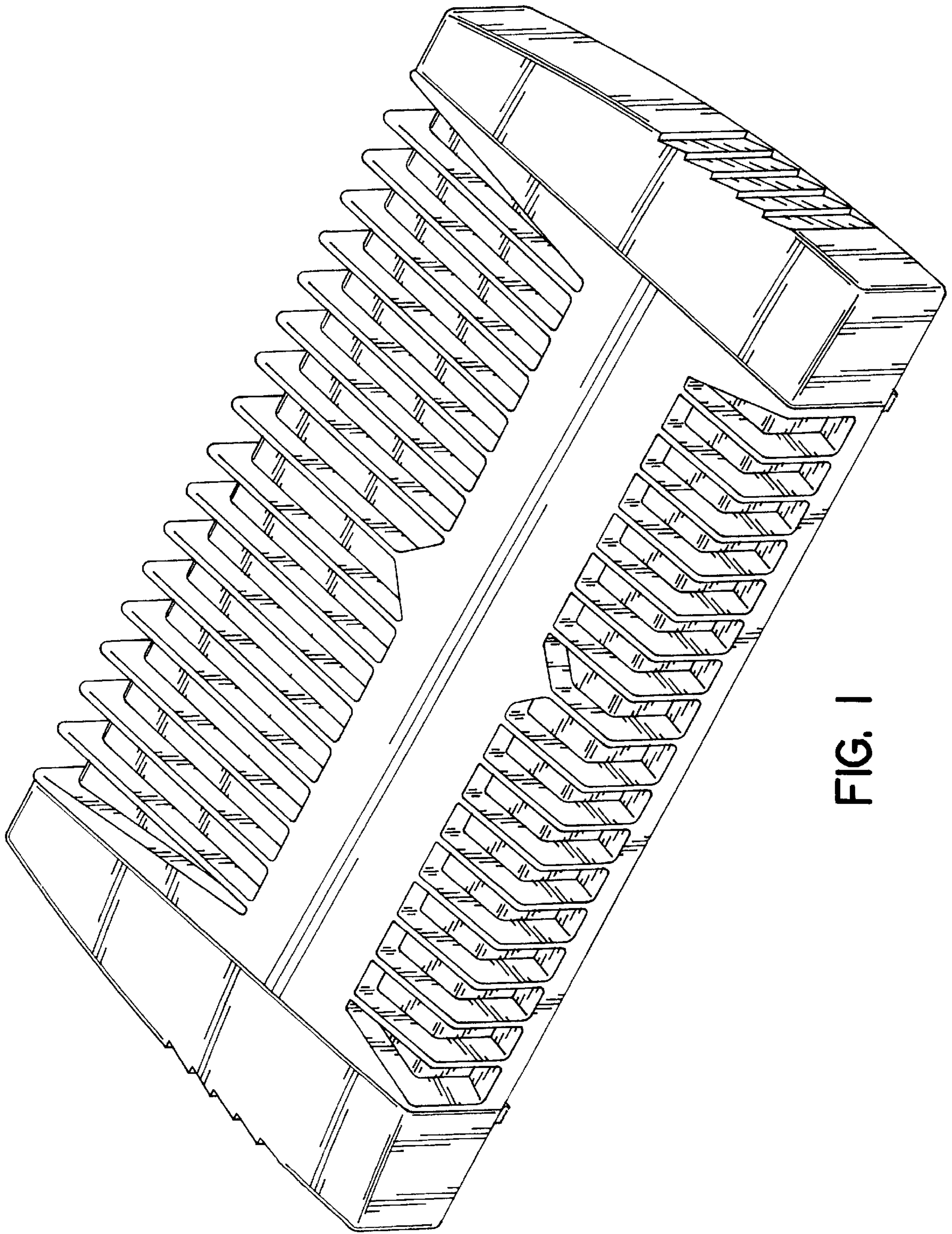


FIG. 1

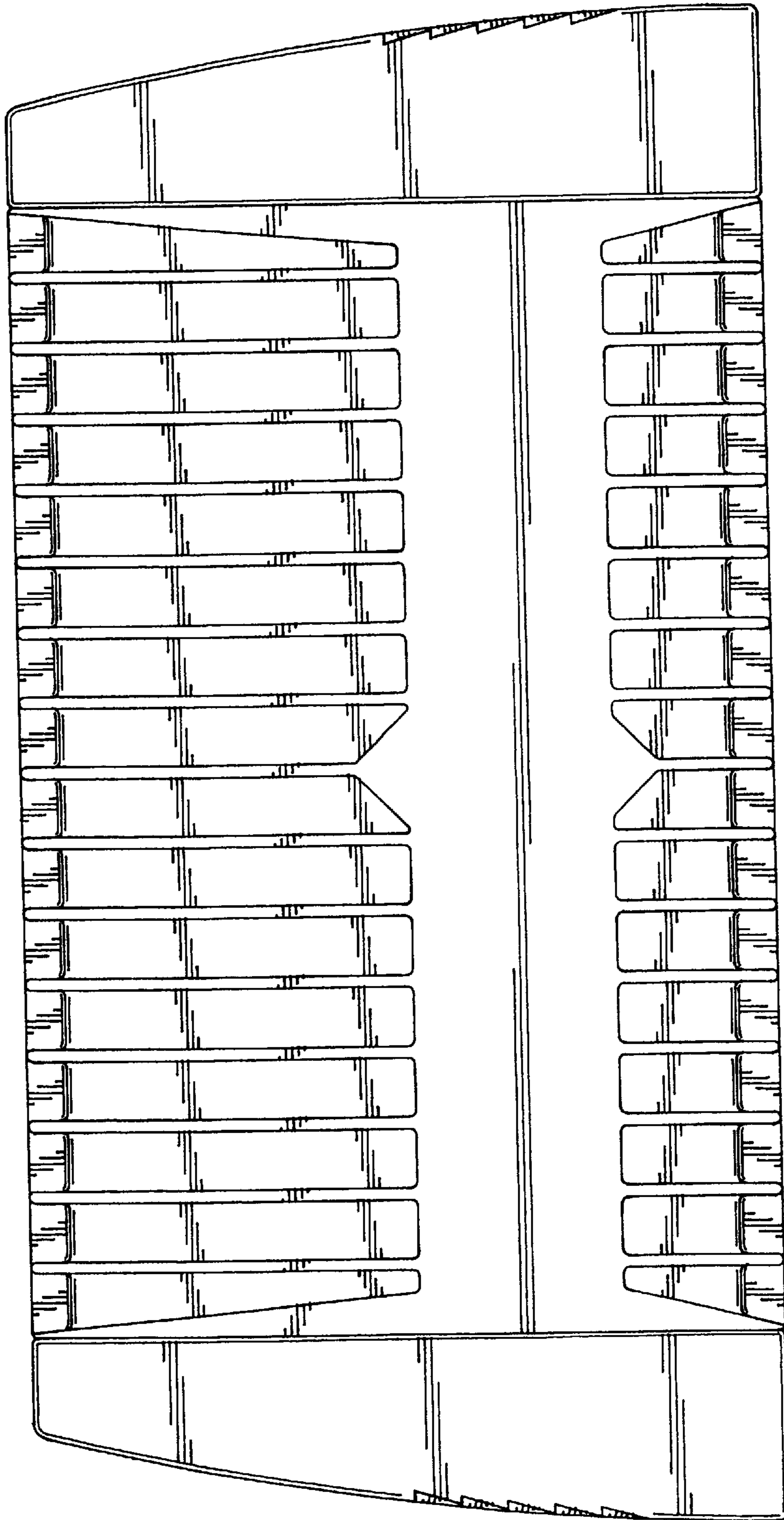


FIG. 2

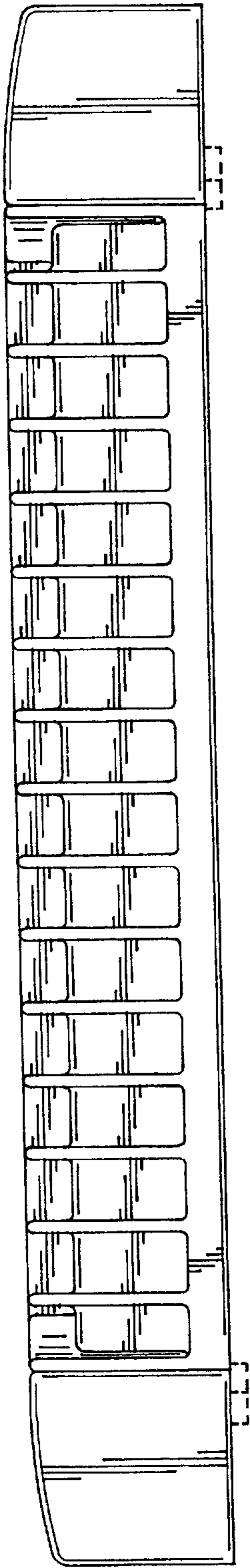


FIG. 3

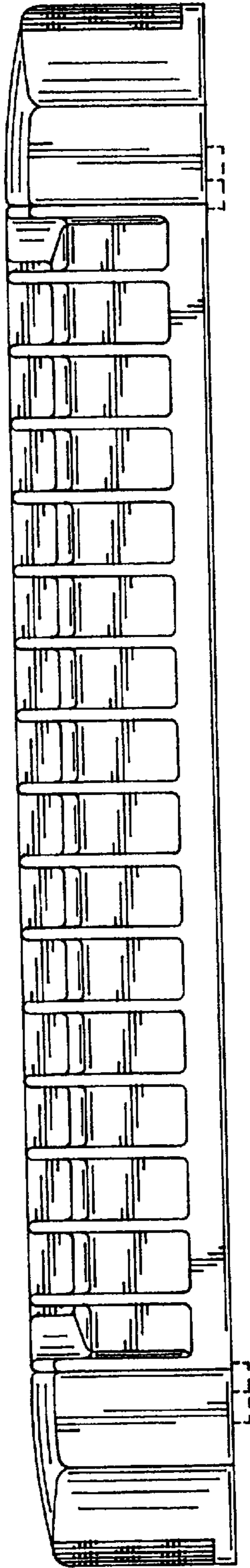


FIG. 4

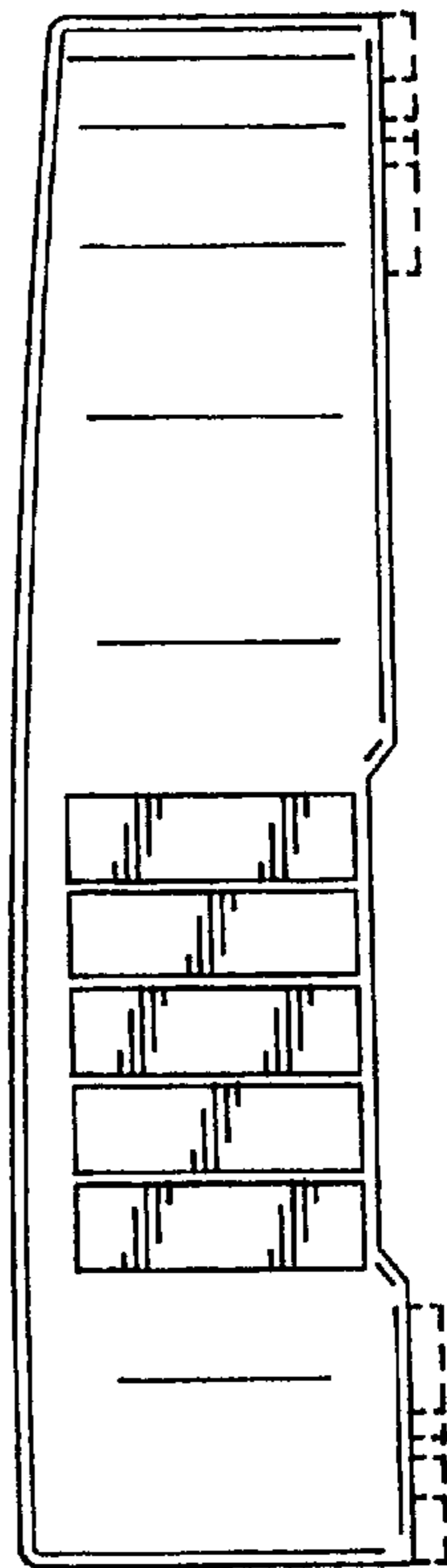


FIG. 5