



US00D403662S

United States Patent [19]

Caldes et al.

[11] Patent Number: Des. 403,662

[45] Date of Patent: **Jan. 5, 1999

[54] UNINTERRUPTIBLE POWER SUPPLY

[75] Inventors: **Douglas G. Caldes**, Orlando; **William B. Hawkins, III**, Winter Springs; **Jeffrey L. Woodard**, Orlando, all of Fla.

[73] Assignee: **XS Technologies, Inc.**, Orlando, Fla.

[**] Term: **14 Years**

[21] Appl. No.: **63,973**

[22] Filed: **Dec. 19, 1996**

[51] LOC (6) Cl. **12-02**

[52] U.S. Cl. **D13/110**

[58] Field of Search D13/110, 184, D13/123; 307/64, 66

[56] References Cited

U.S. PATENT DOCUMENTS

D. 314,183	1/1991	Wong	D13/123	X
D. 381,637	7/1997	Haider et al.	D13/184	
4,267,555	5/1981	Boyd et al.	340/748	
4,283,796	8/1981	Hughes	455/349	
4,384,790	5/1983	Nakazawa	368/29	
4,481,512	11/1984	Tscheulin et al.	340/825.25	
4,542,377	9/1985	Hagen et al.	430/727	
4,673,825	6/1987	Raddi et al.	307/66	
4,760,277	7/1988	Vurpillat	307/64	
4,785,197	11/1988	Bezos et al.	307/116	
4,853,838	8/1989	Westermann	361/725	
4,856,088	8/1989	Oliwa et al.	455/349	
4,935,861	6/1990	Johnson, Jr. et al.	363/132	
4,940,414	7/1990	Lee	439/131	
5,134,390	7/1992	Kishimoto et al.	430/727	
5,185,804	2/1993	Watanabe	381/86	
5,189,404	2/1993	Masimo et al.	340/720	
5,200,685	4/1993	Sakamoto	307/66	X
5,202,585	4/1993	Aoyagi et al.	307/116	
5,306,986	4/1994	Ikeda et al.	307/66	X
5,341,434	8/1994	Kawamoto	381/86	
5,369,549	11/1994	Kopp et al.	361/679	
5,444,868	8/1995	Reynolds et al.	455/89	

5,450,285	9/1995	Schlemmer	361/724	
5,479,525	12/1995	Nakamura et al.	382/297	
5,533,185	7/1996	Lentz et al.	395/162	
5,575,544	11/1996	Hasegawa et al.	312/7.1	

FOREIGN PATENT DOCUMENTS

4-4092	2/1992	Japan	.
4-159593	6/1992	Japan	.
5-80703	4/1993	Japan	.
683571	3/1994	Switzerland	.

Primary Examiner—Joel Sincavage
Attorney, Agent, or Firm—Allen, Dyer, Doppelt, Milbrath & Gilchrist, P.A.

[57] CLAIM

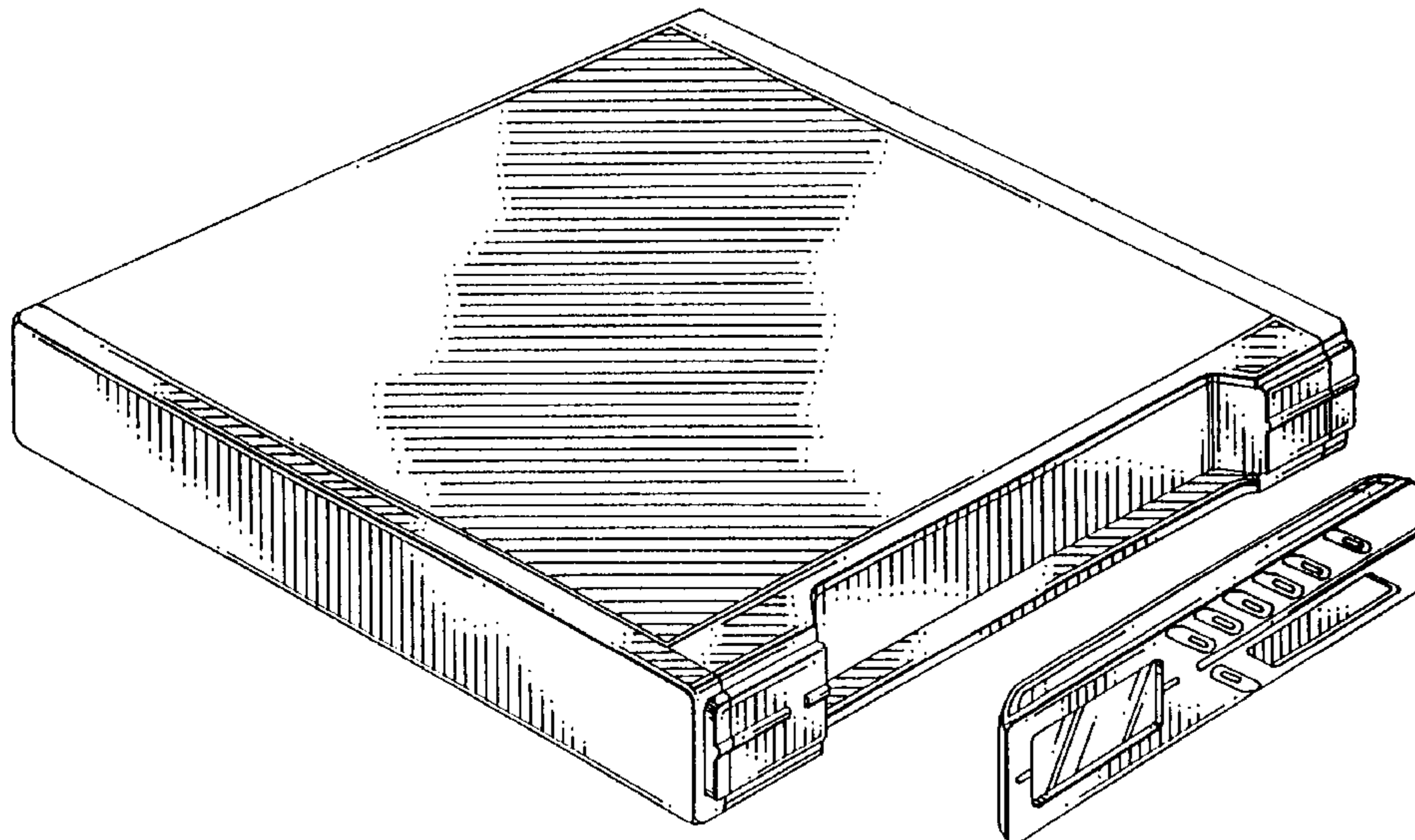
The ornamental design for an uninterruptible power supply, as shown and described.

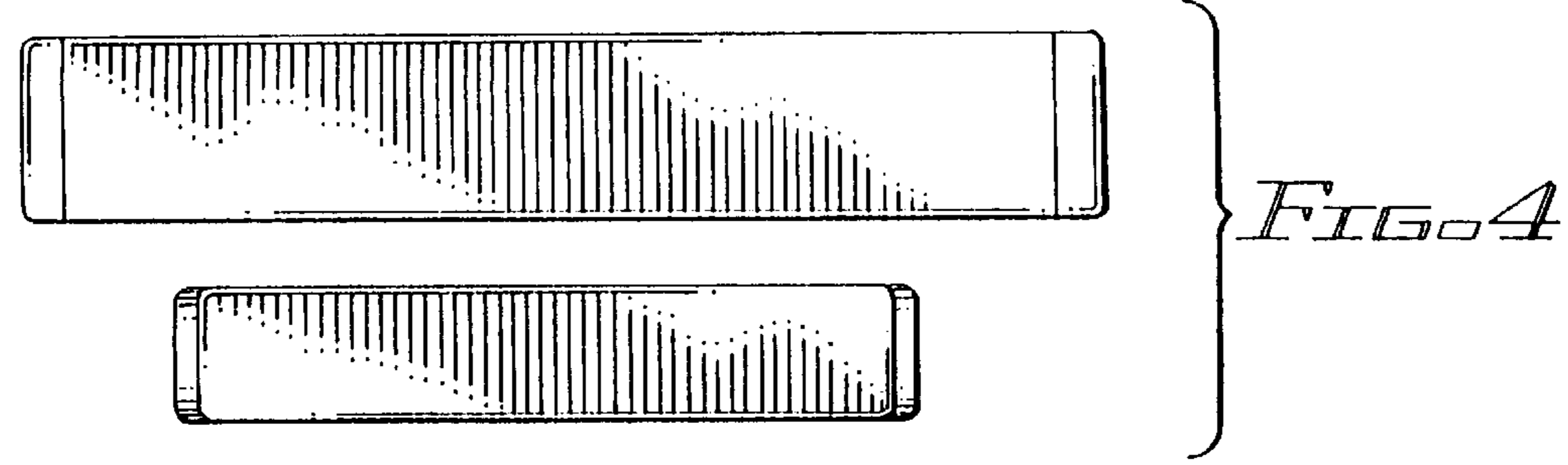
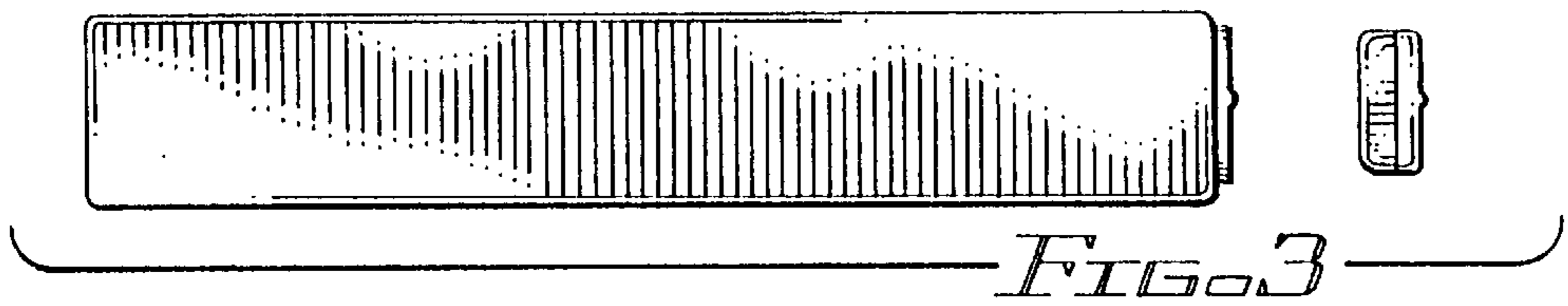
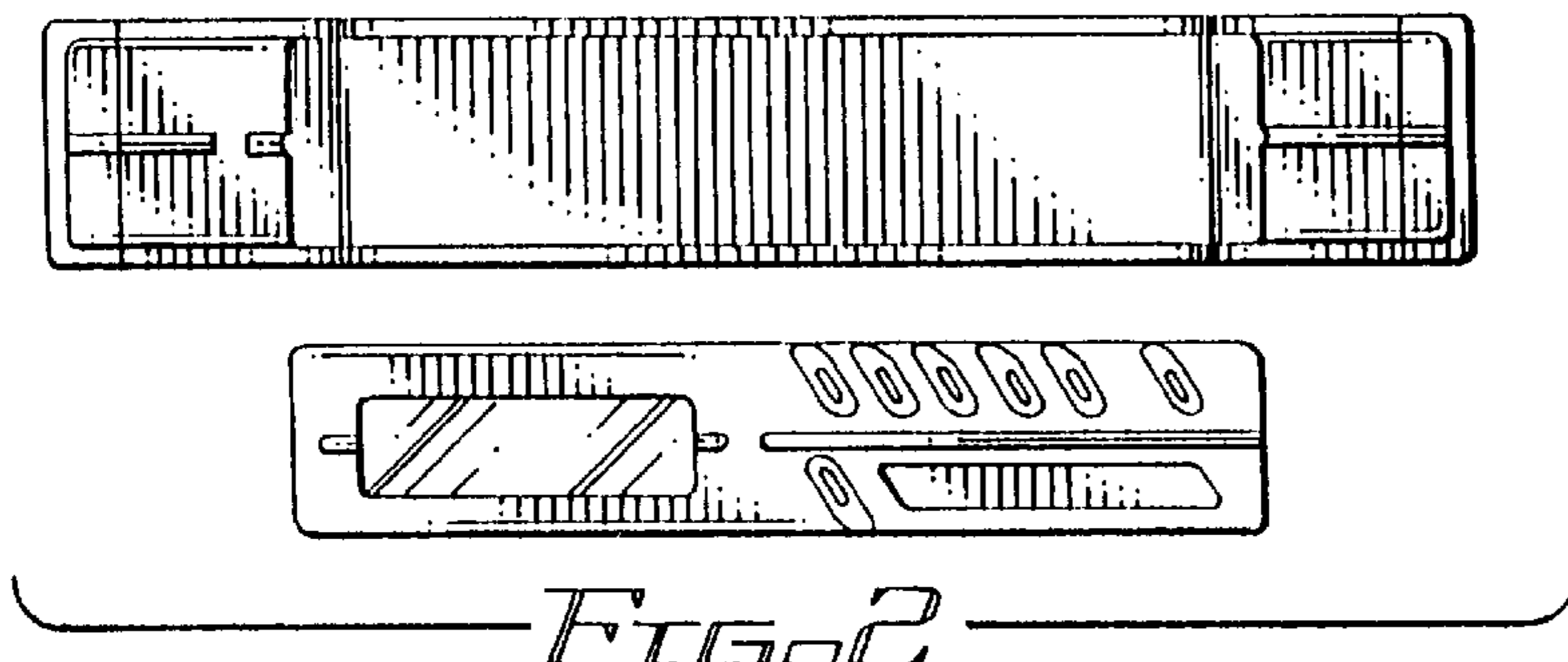
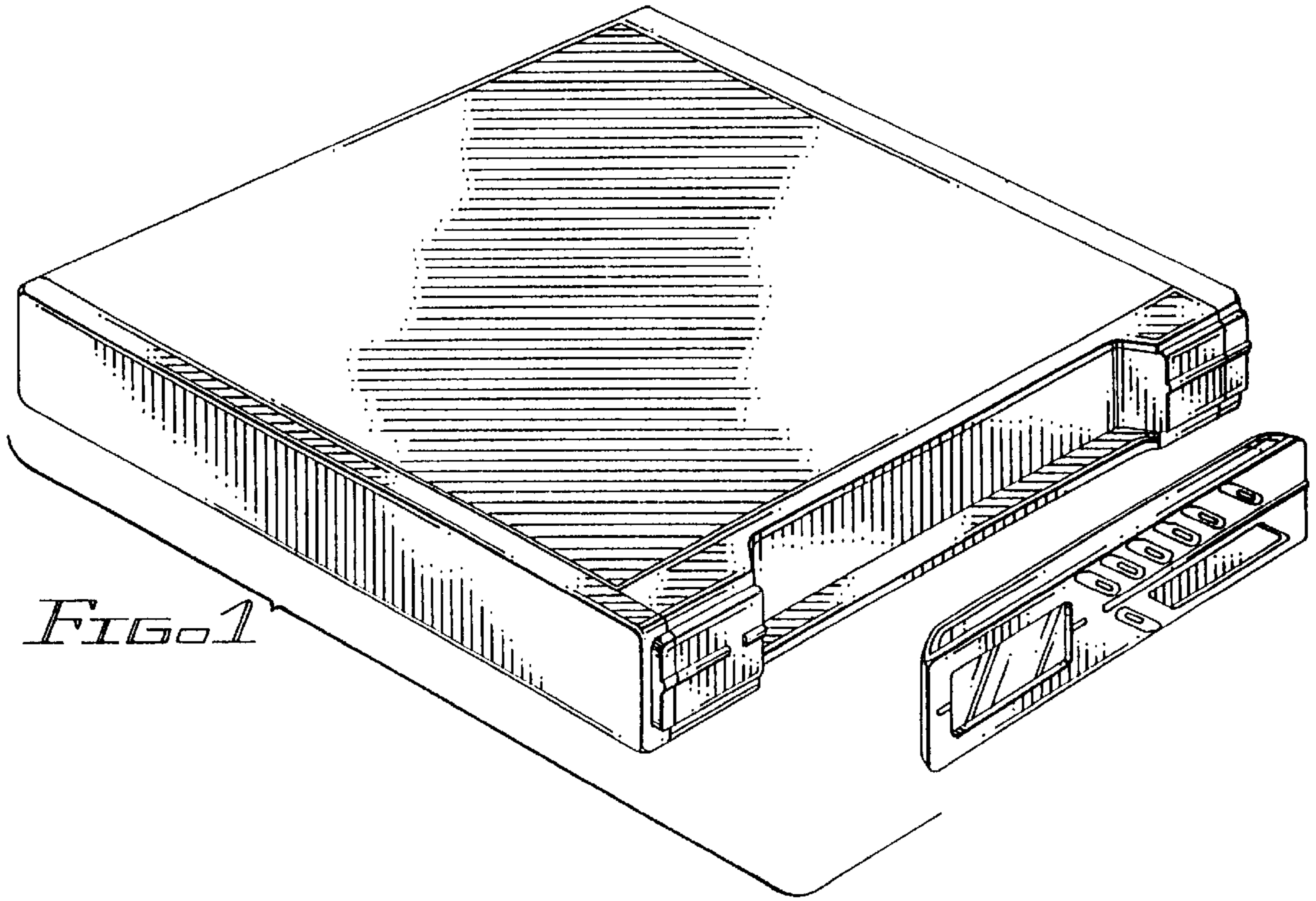
DESCRIPTION

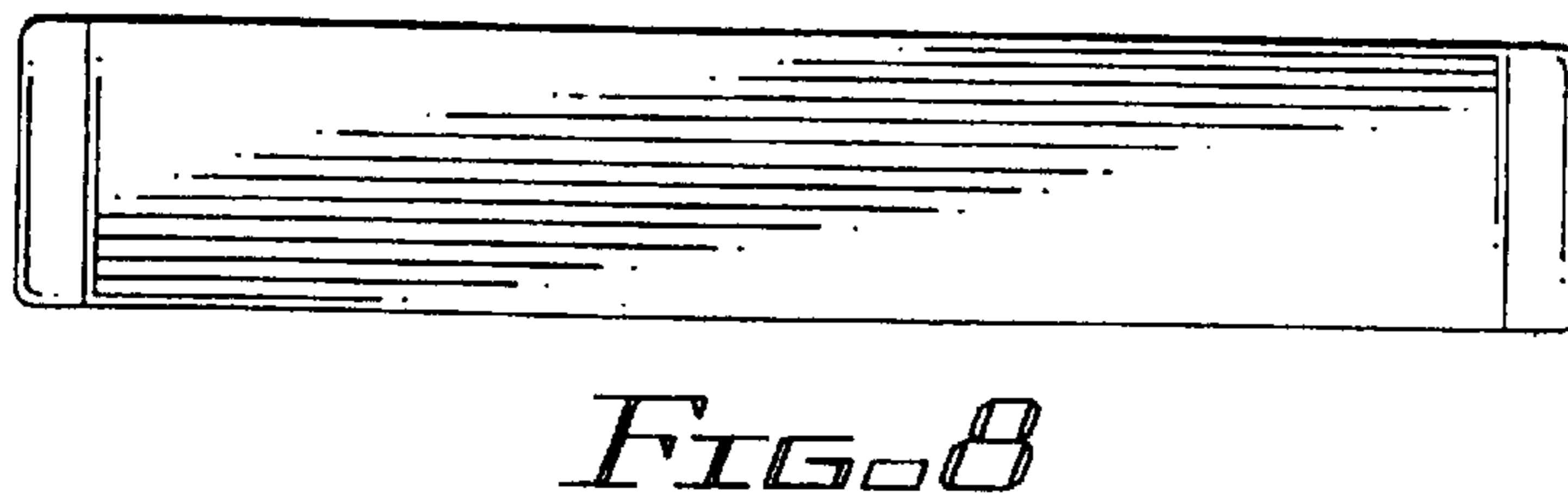
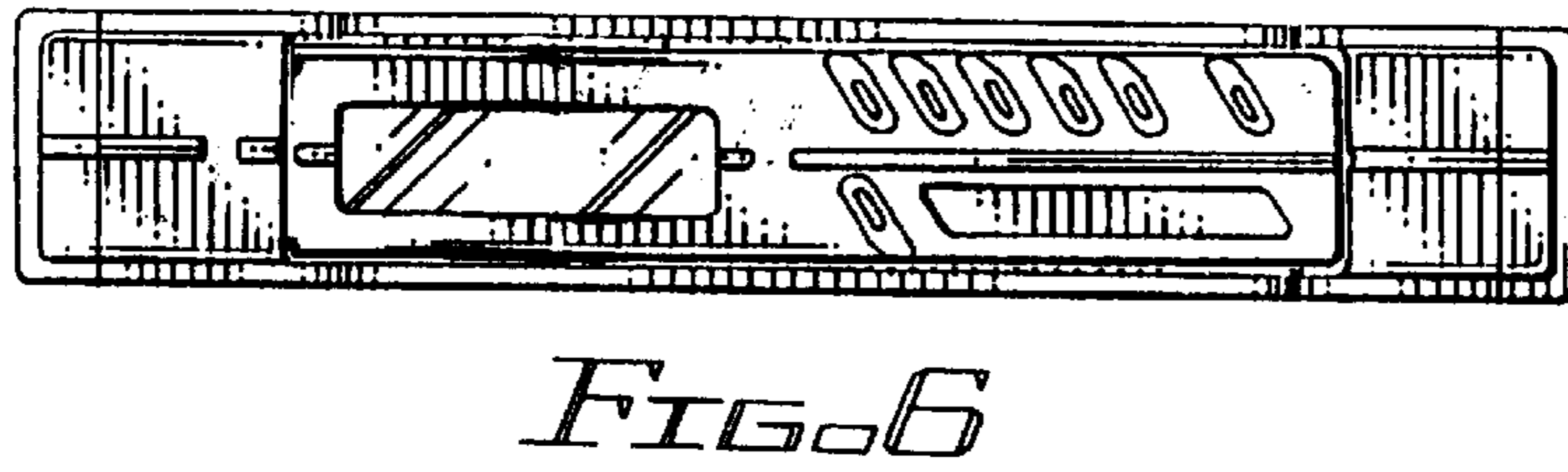
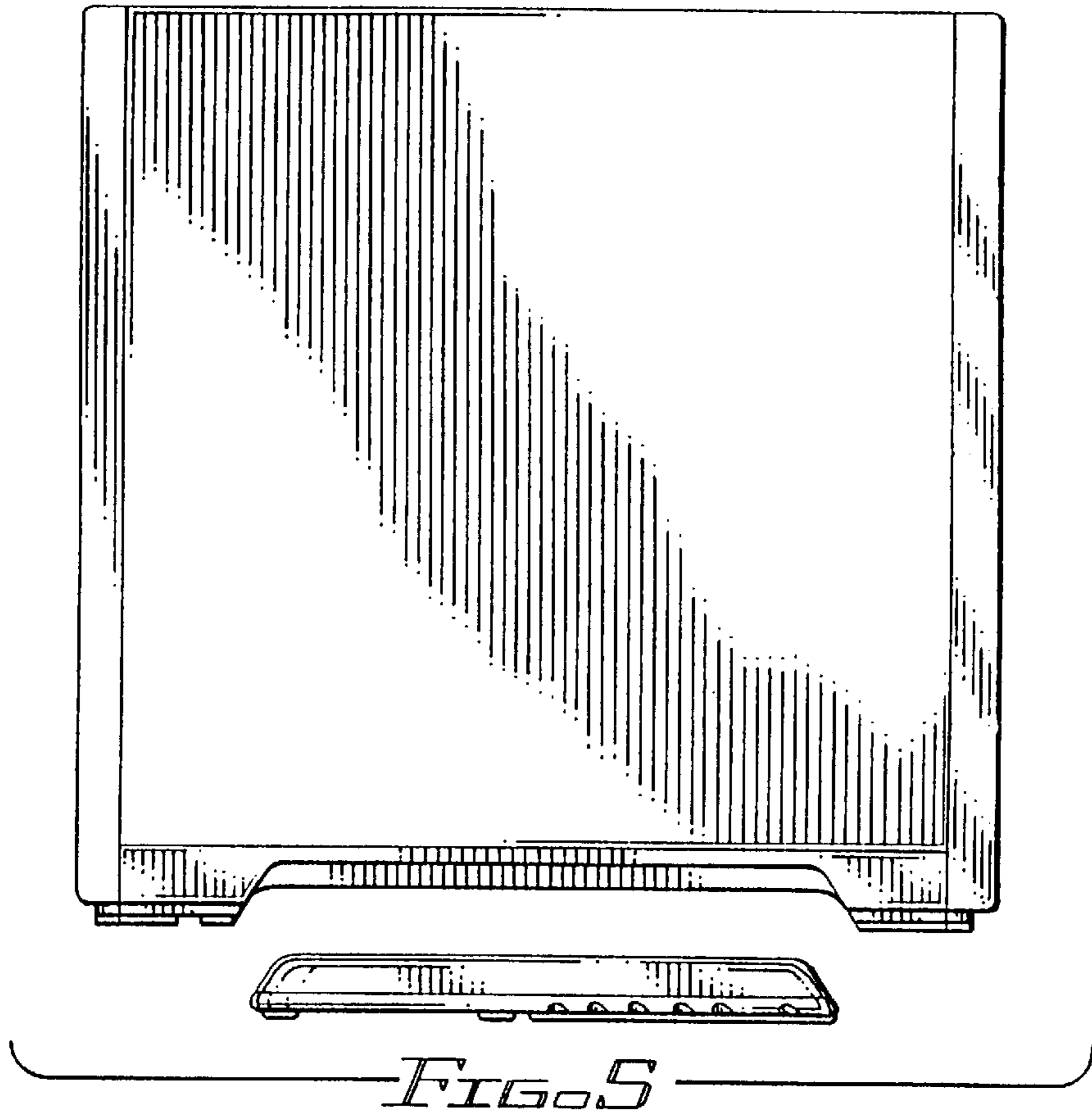
FIG. 1 is a top, front, and left perspective and exploded view of an uninterruptible power supply showing our new design; FIG. 2 is a front elevation view thereof; FIG. 3 is a left side elevation view thereof, the right side view being a mirror image; FIG. 4 is a rear elevation view thereof; FIG. 5 is a top plan view thereof; FIG. 6 is a front assembled view thereof; FIG. 7 is a left side assembled view thereof, the right side assembled view being a mirror image; FIG. 8 is a rear assembled view thereof; FIG. 9 is a top assembled view thereof; FIG. 10 is a bottom assembled view thereof; FIG. 11 is a front, top, and left perspective and exploded view of a second embodiment of our new design; FIG. 12 is a front elevation view thereof; FIG. 13 is a front, top, and right perspective and exploded view of a third embodiment of our new design; and, FIG. 14 is a front elevation view thereof.

Except for the appearance of the front panel, all other views of the second and third embodiments are the same as those shown of the first.

1 Claim, 5 Drawing Sheets







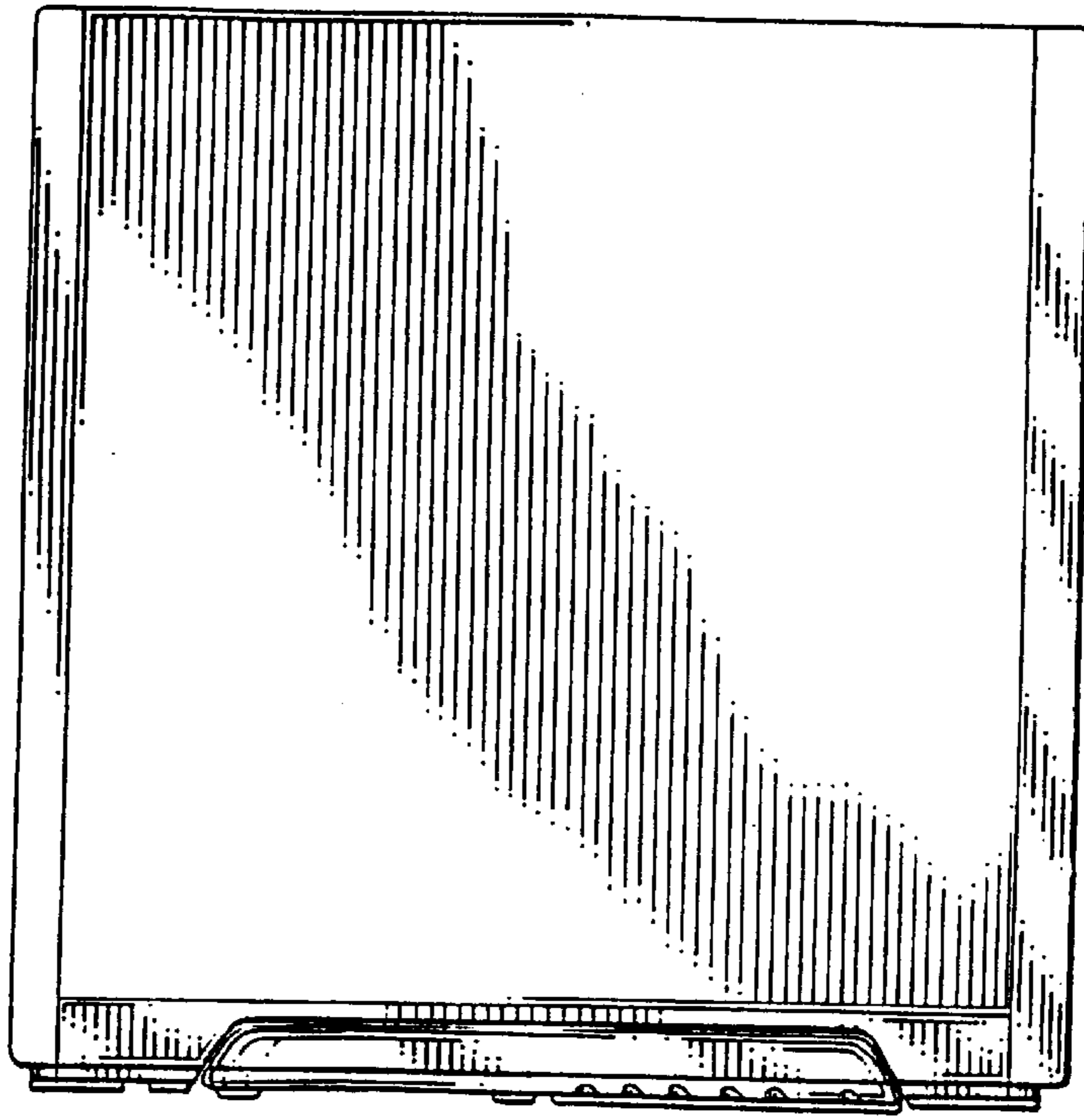


FIG. 9

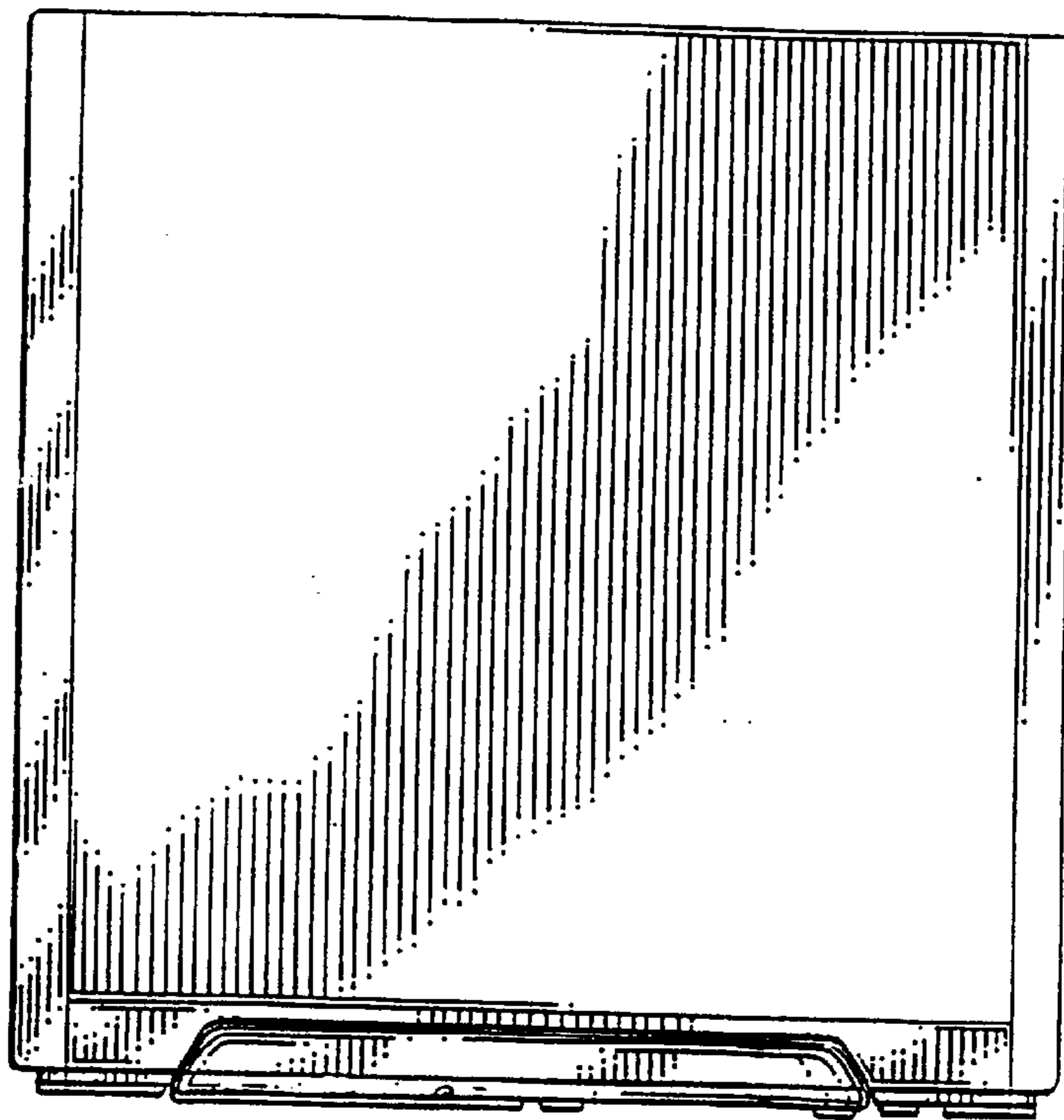


FIG. 10

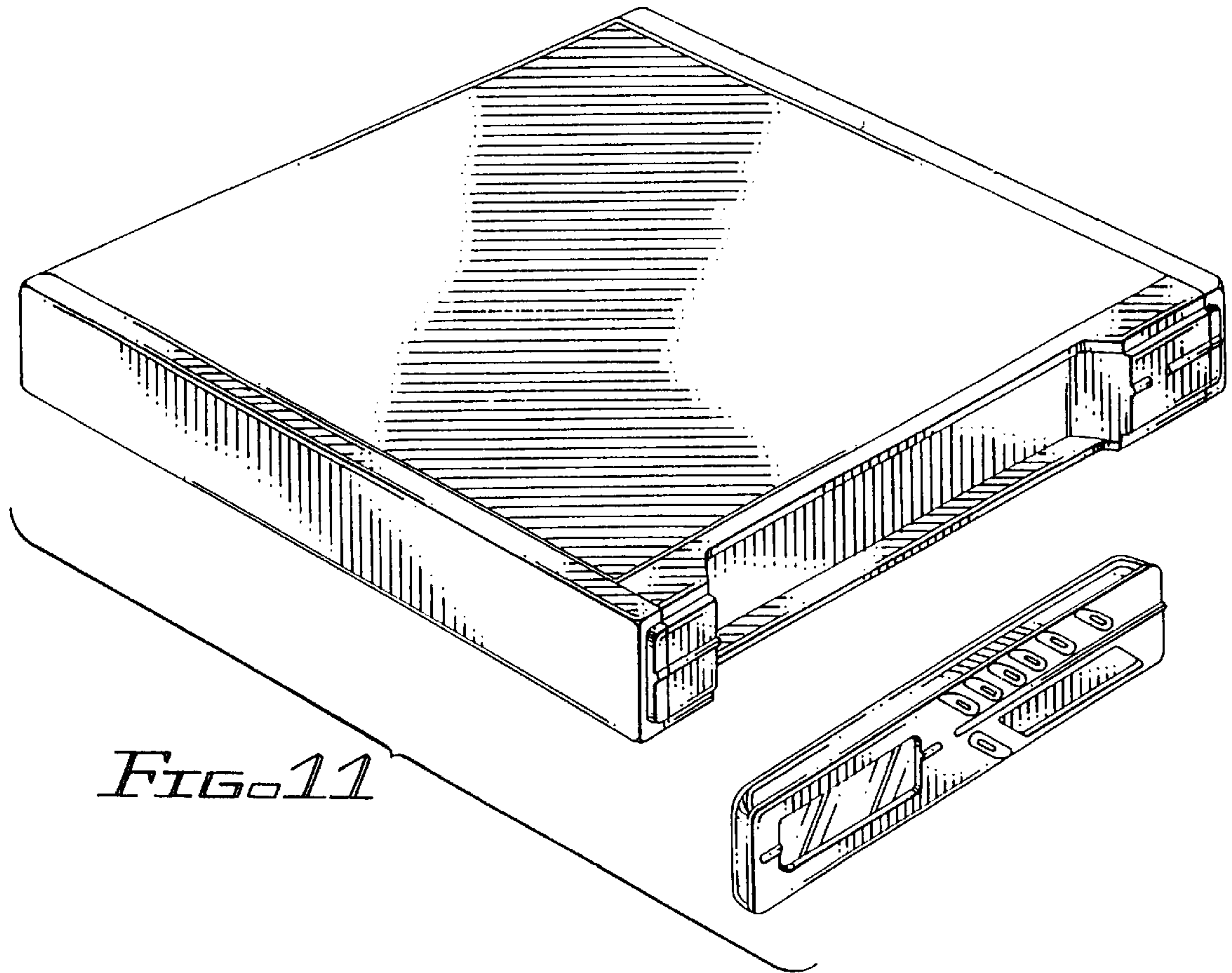


FIG. 11

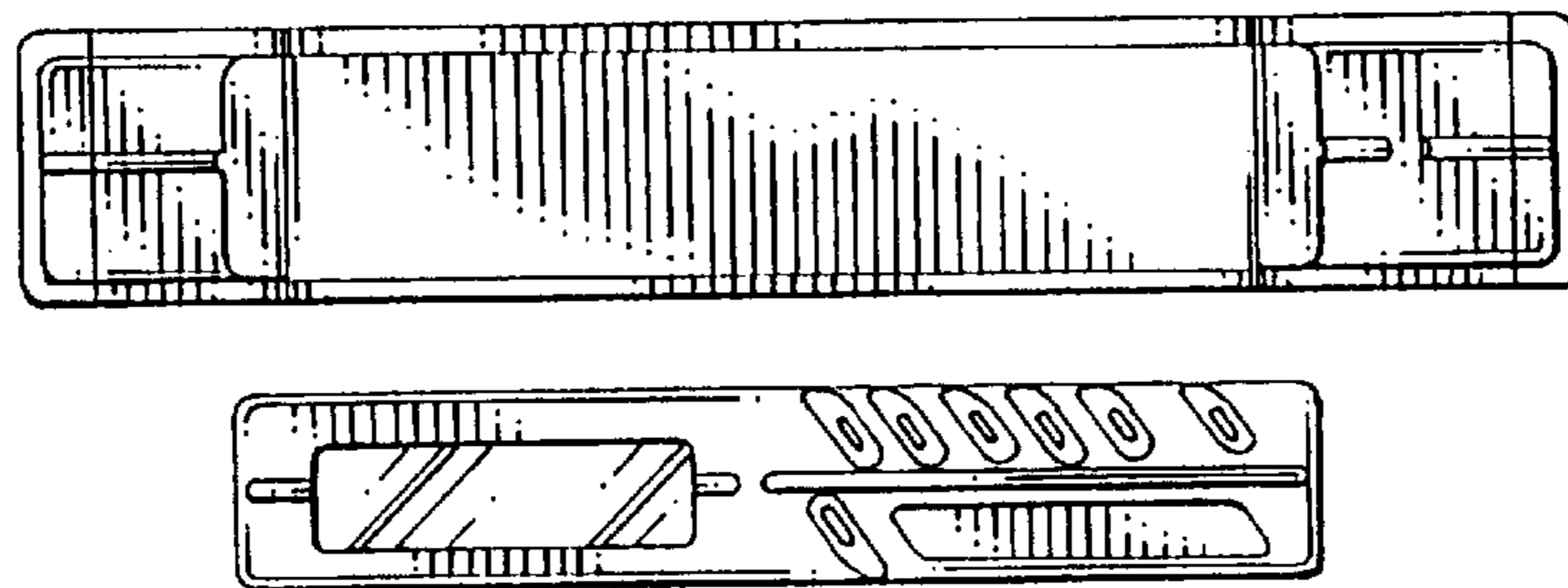


FIG. 12

