



US00D403661S

United States Patent [19]
Mariani

[11] **Patent Number: Des. 403,661**

[45] **Date of Patent: **Jan. 5, 1999**

[54] **RECHARGEABLE POWER PACK**

[75] Inventor: **Henry J. Mariani**, Little Rock, Ark.

[73] Assignee: **Nite Lite Company, Inc.**, Little Rock, Ark.

[**] Term: **14 Years**

[21] Appl. No.: **80,943**

[22] Filed: **Dec. 22, 1997**

[51] **LOC (6) Cl.** **13-02**

[52] **U.S. Cl.** **D13/106**

[58] **Field of Search** D13/103, 106;
429/96-100, 163, 176

[56] **References Cited**

U.S. PATENT DOCUMENTS

D. 159,170	6/1950	Stamper	D13/106
D. 204,798	5/1966	Lozeau	D13/106
D. 334,560	4/1993	Wilson	D13/106

OTHER PUBLICATIONS

NITE LITE Products Catalog, pp. 7, 8 and 14. 1996.

Primary Examiner—Joel Sincavage

Attorney, Agent, or Firm—Robert R. Keegan; Head,
Johnson & Kachigian

[57] **CLAIM**

The ornamental design for a rechargeable power pack, as shown and described.

DESCRIPTION

FIG. 1 is a front perspective view of a rechargeable power pack showing my new design with a lamp shown in broken lines representing visible environmental structure not part of the design;

FIG. 2 is a front elevational view thereof;

FIG. 3 is a left side elevational view thereof;

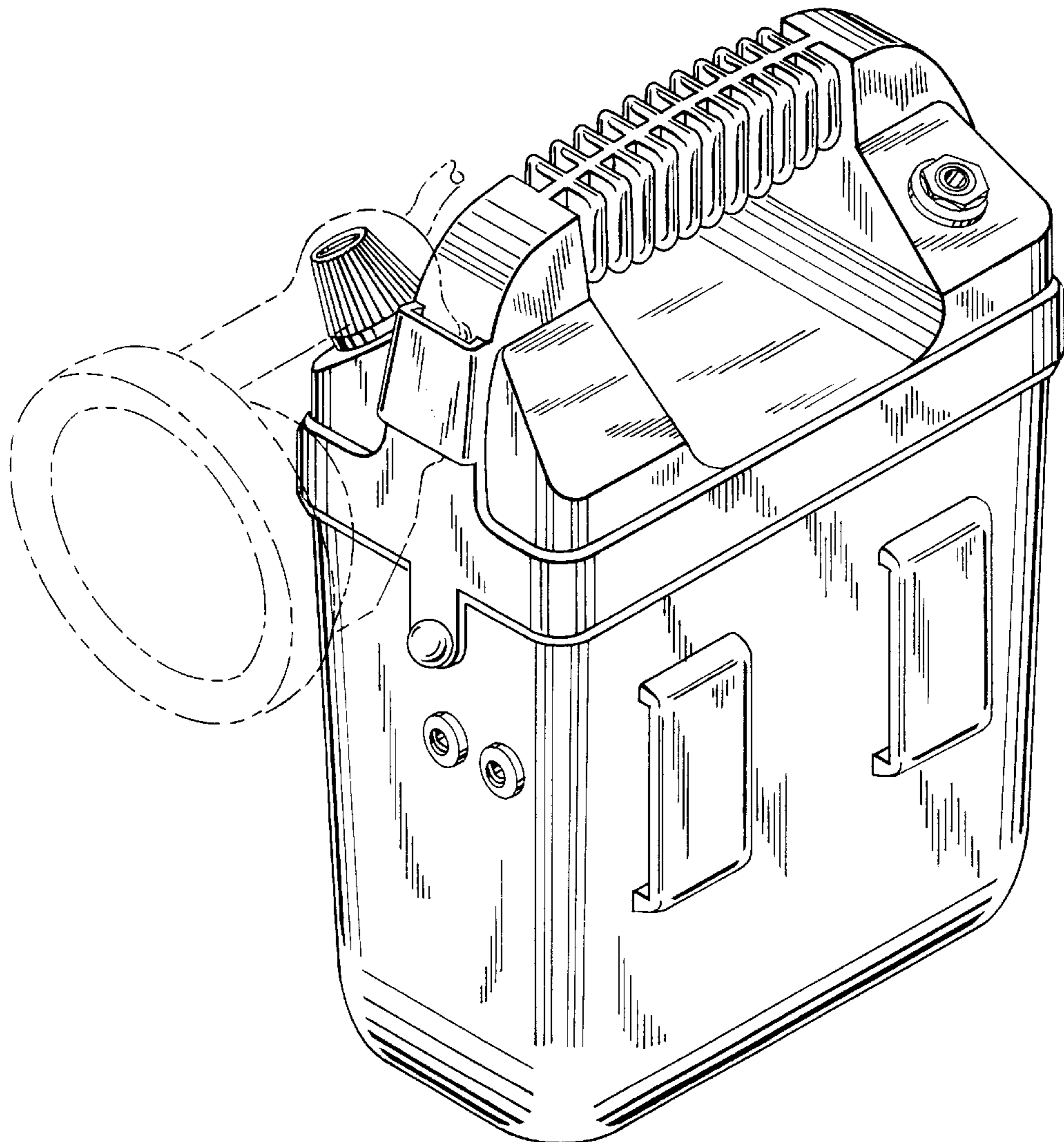
FIG. 4 is a rear elevational view thereof;

FIG. 5 is a right side elevational view thereof;

FIG. 6 is a top plan view thereof; and,

FIG. 7 is a bottom plan view thereof.

1 Claim, 4 Drawing Sheets



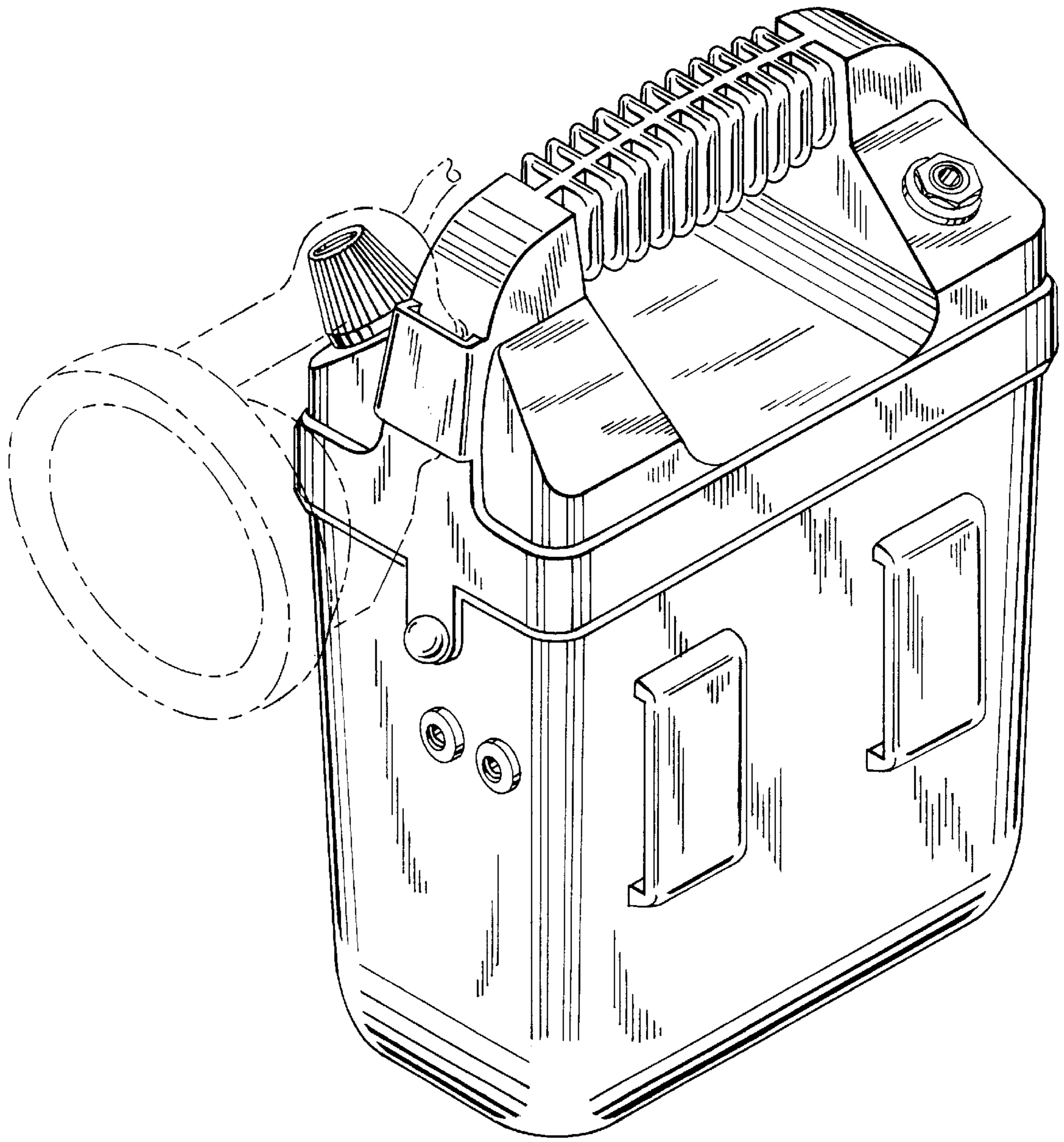


FIG. 1

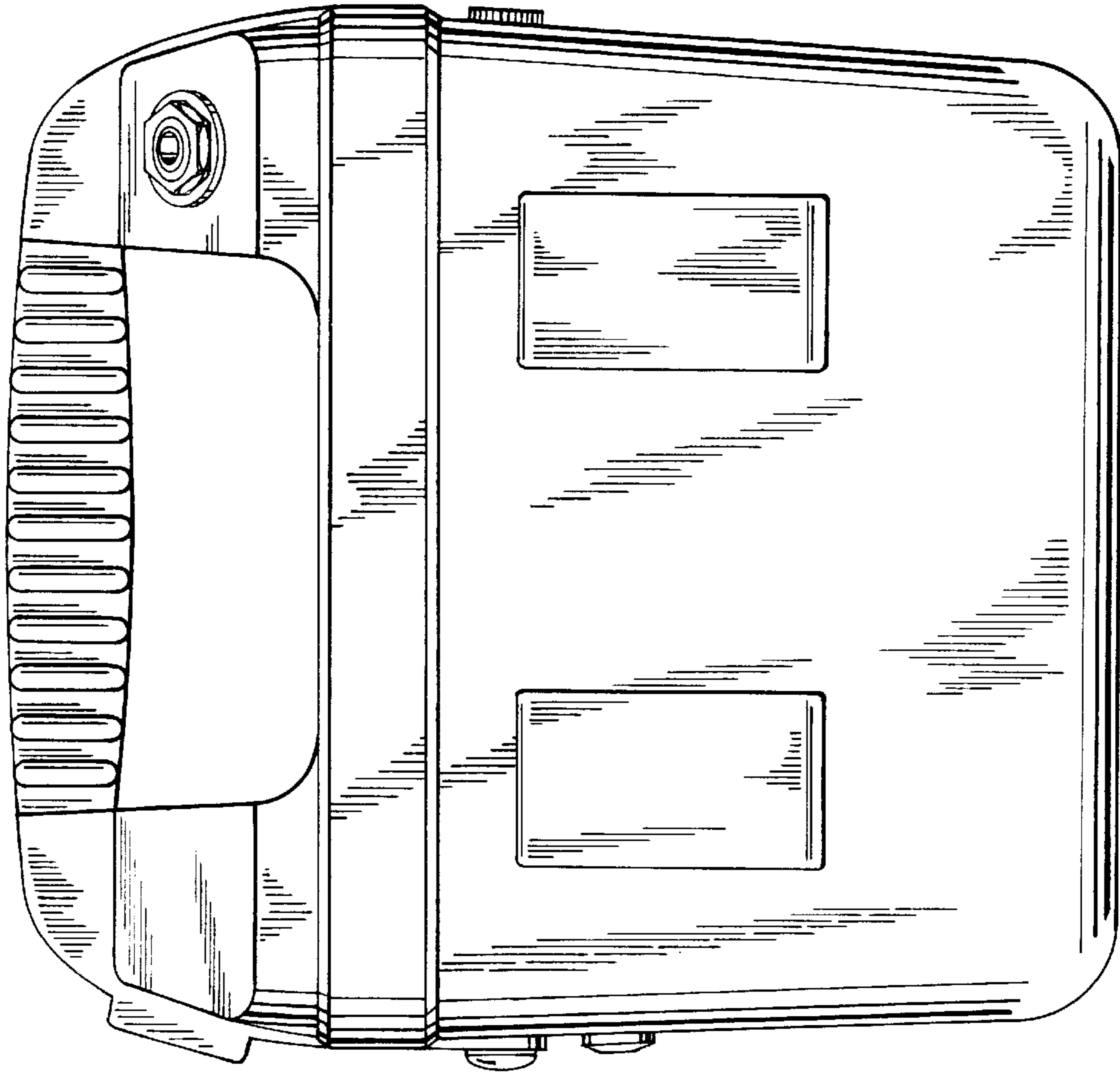


FIG. 2

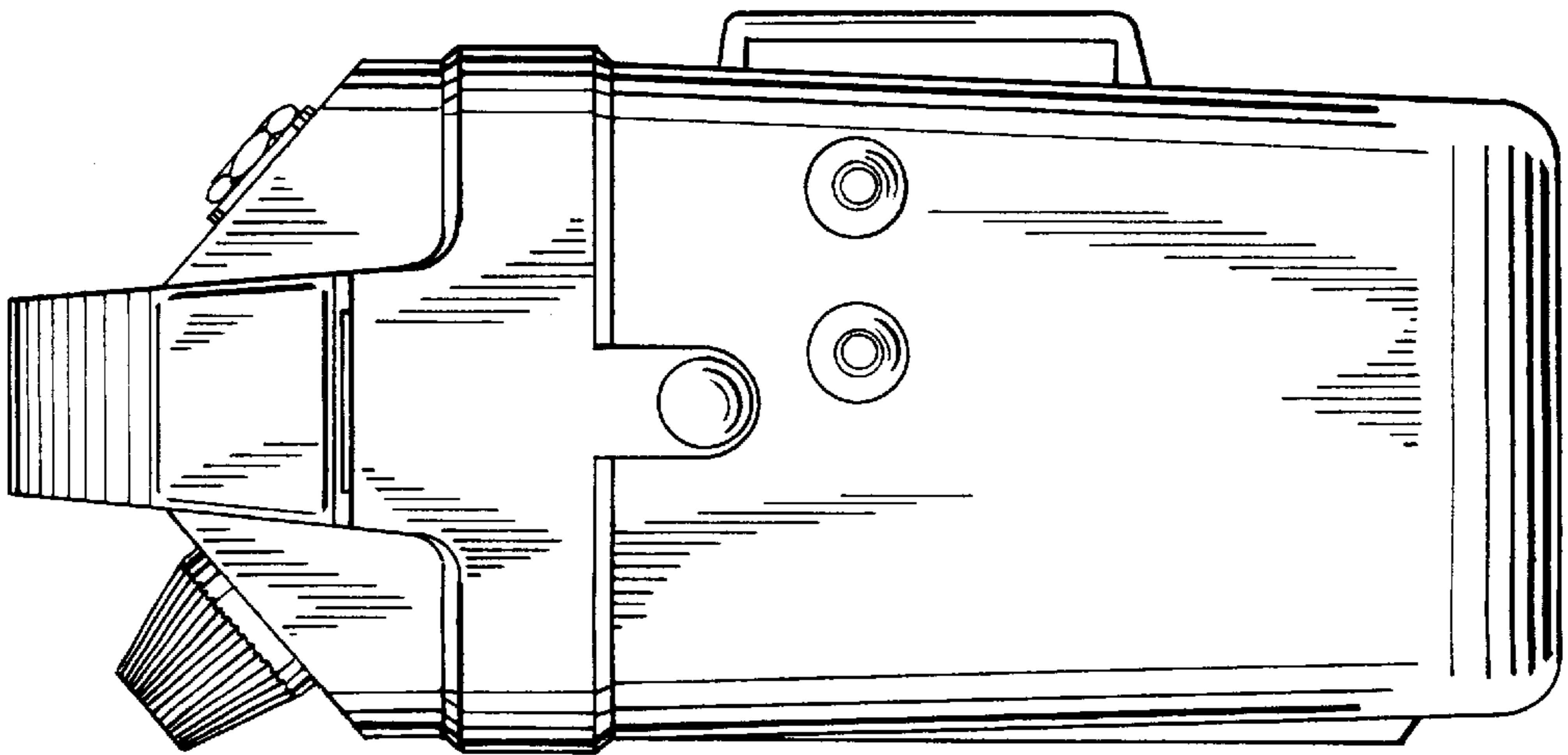


FIG. 3

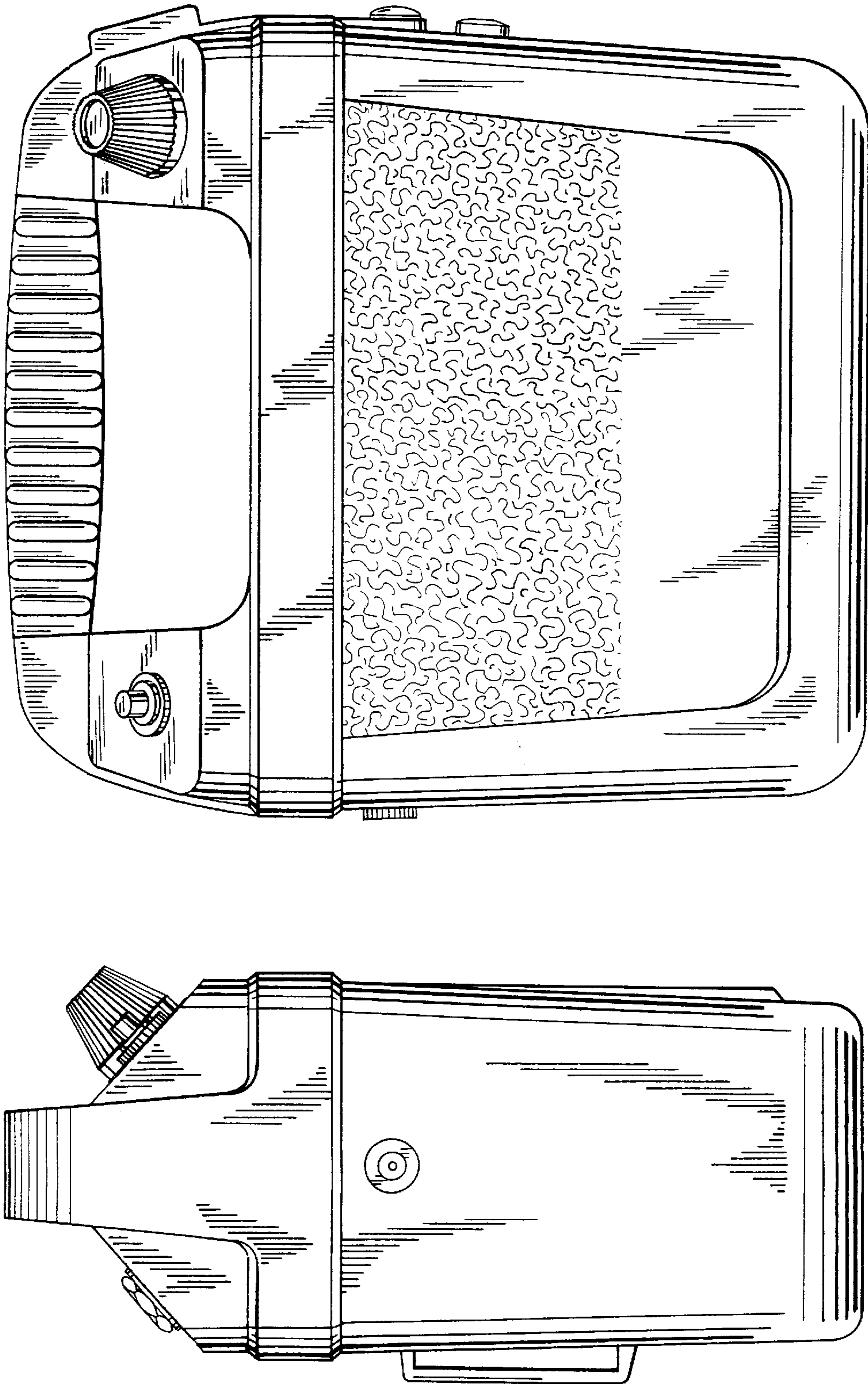


FIG. 4

FIG. 5

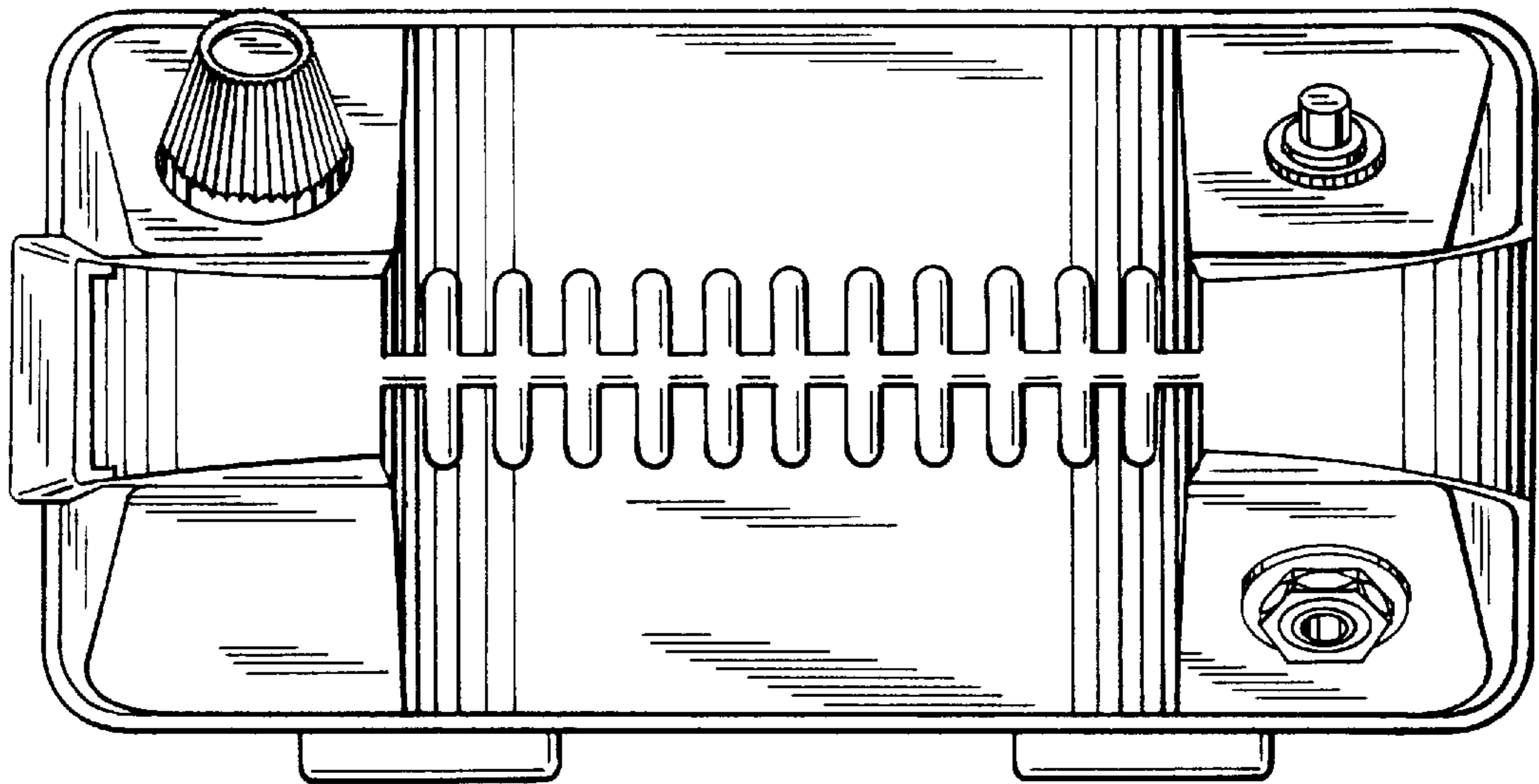


FIG. 6

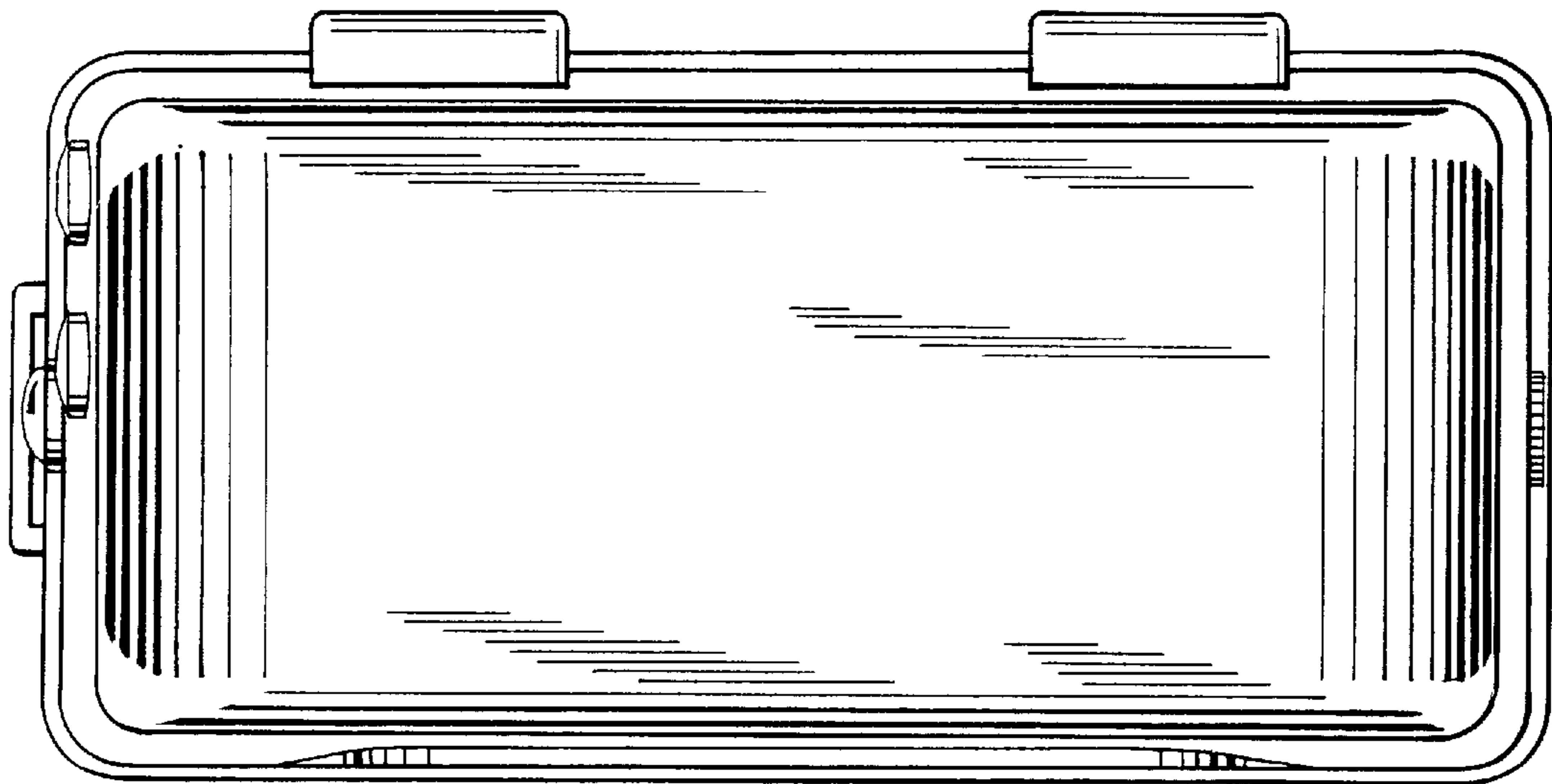


FIG. 7