



US00D403660S

United States Patent [19]
Poon

[11] **Patent Number:** **Des. 403,660**

[45] **Date of Patent:** ****Jan. 5, 1999**

[54] **PORTABLE RECHARGEABLE BATTERY PACK**

[75] Inventor: **Tit-ying Poon**, Shatin, Hong Kong

[73] Assignee: **Flying Dragon Development Ltd.**,
Hong Kong, Hong Kong

[**] Term: **14 Years**

[21] Appl. No.: **65,498**

[22] Filed: **Jan. 22, 1997**

[51] **LOC (6) Cl.** **13-02**

[52] **U.S. Cl.** **D13/106**

[58] **Field of Search** D13/103, 106;
429/96-100, 163, 176

[56] **References Cited**

U.S. PATENT DOCUMENTS

D. 354,729 1/1995 Poon D13/103

Primary Examiner—Joel Sincavage
Attorney, Agent, or Firm—Samuels, Gauthier, Stevens & Reppert

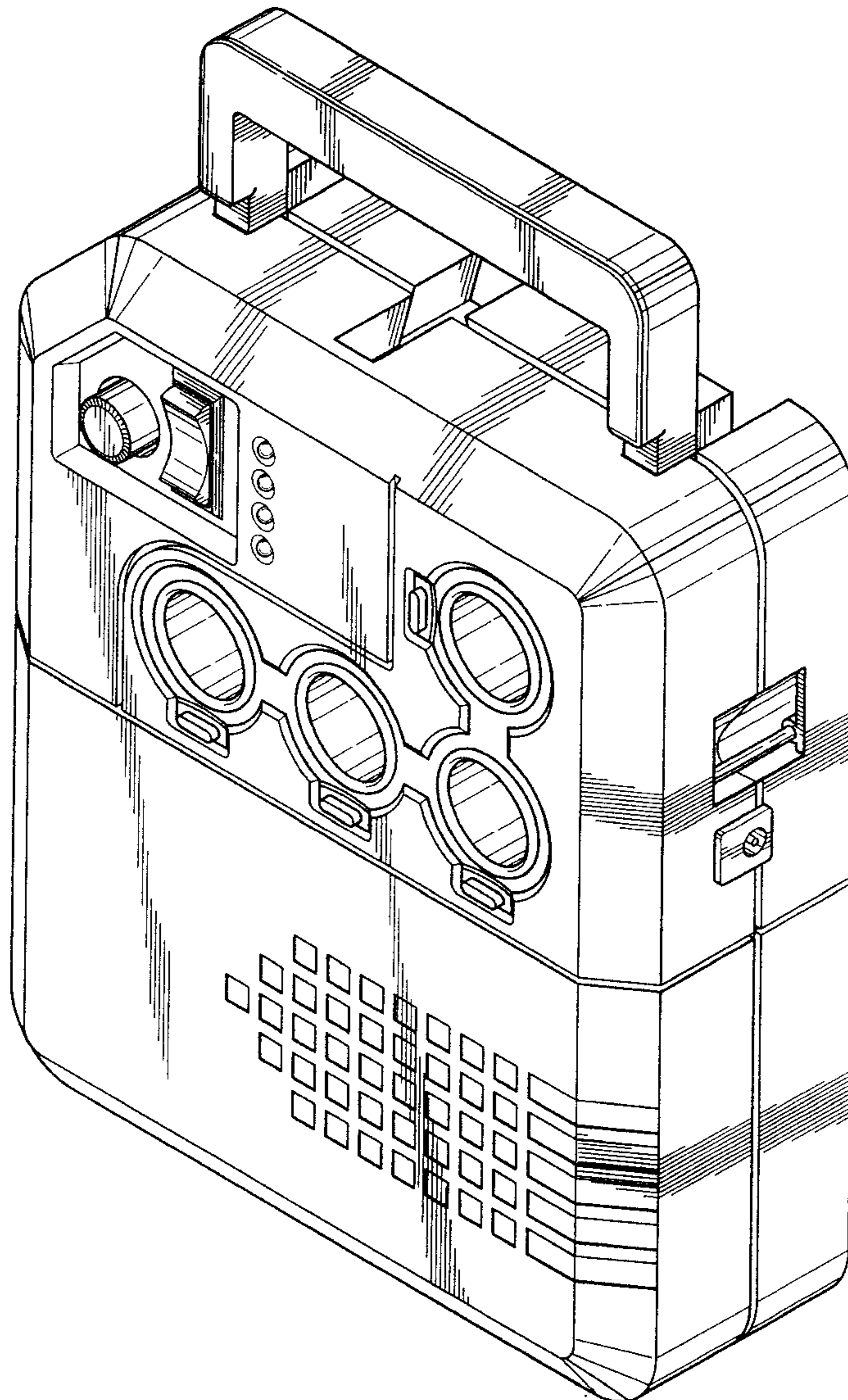
[57] **CLAIM**

The ornamental design for a portable, rechargeable battery pack, as shown and described.

DESCRIPTION

FIG. 1 is a perspective view of a portable, rechargeable battery pack showing my new design;
FIG. 2 is a perspective view with handle in storage condition;
FIG. 3 is a front elevational view with the handle in the extended condition;
FIG. 4 is a rear elevational view thereof;
FIG. 5 is a right side view thereof;
FIG. 6 is a left side view thereof;
FIG. 7 is a top plan view thereof; and,
FIG. 8 is a bottom plan view thereof.

1 Claim, 6 Drawing Sheets



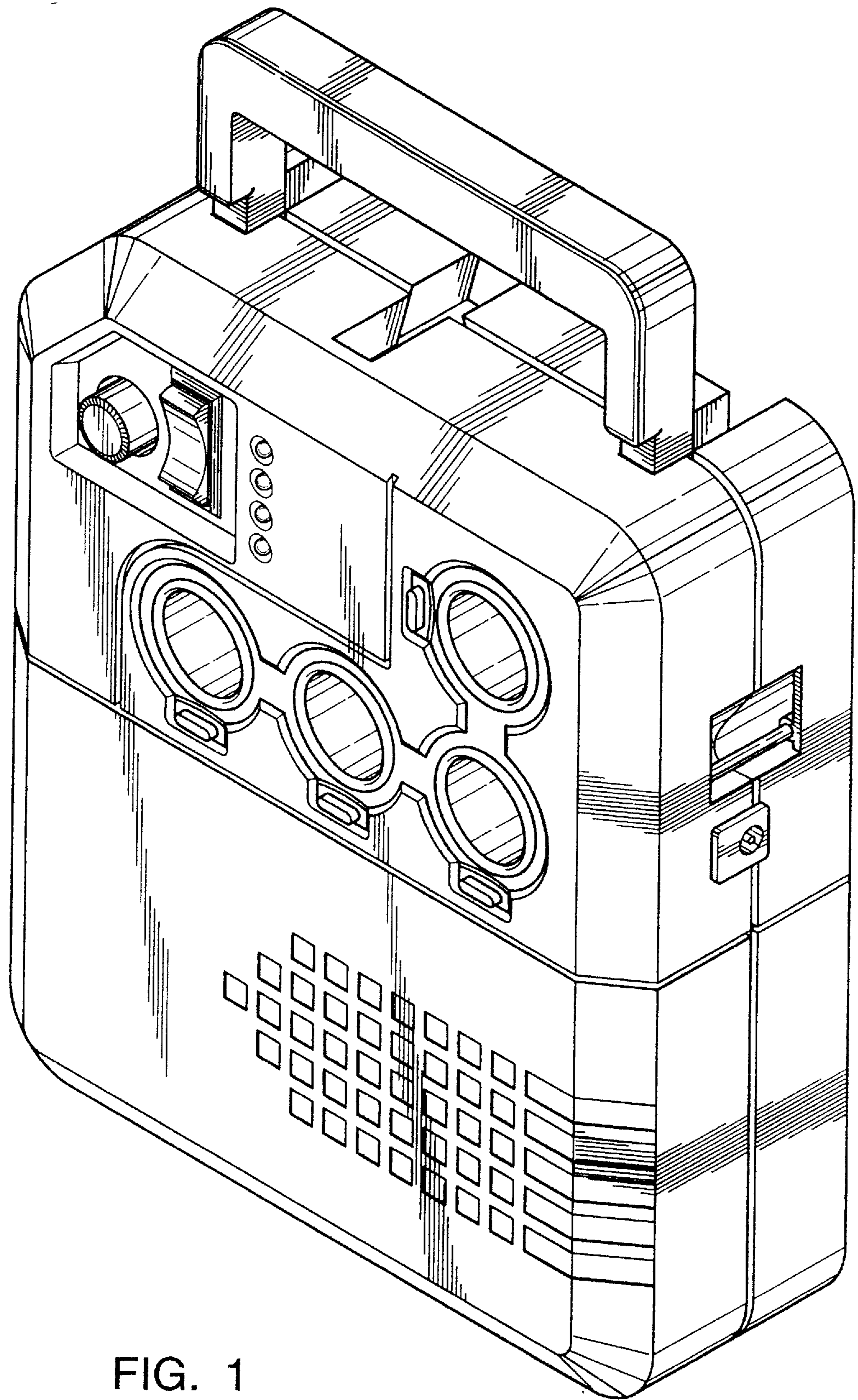


FIG. 1

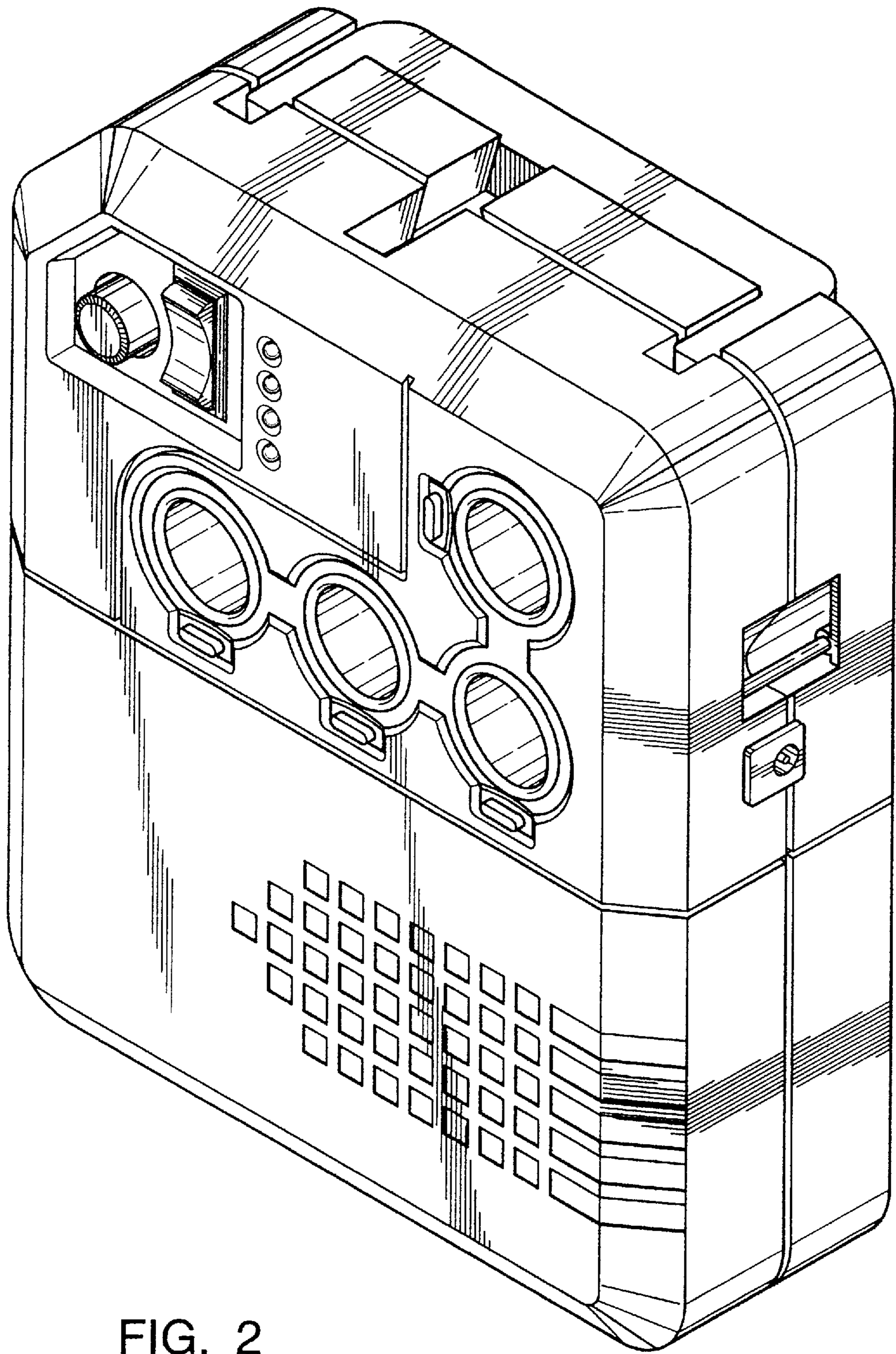


FIG. 2

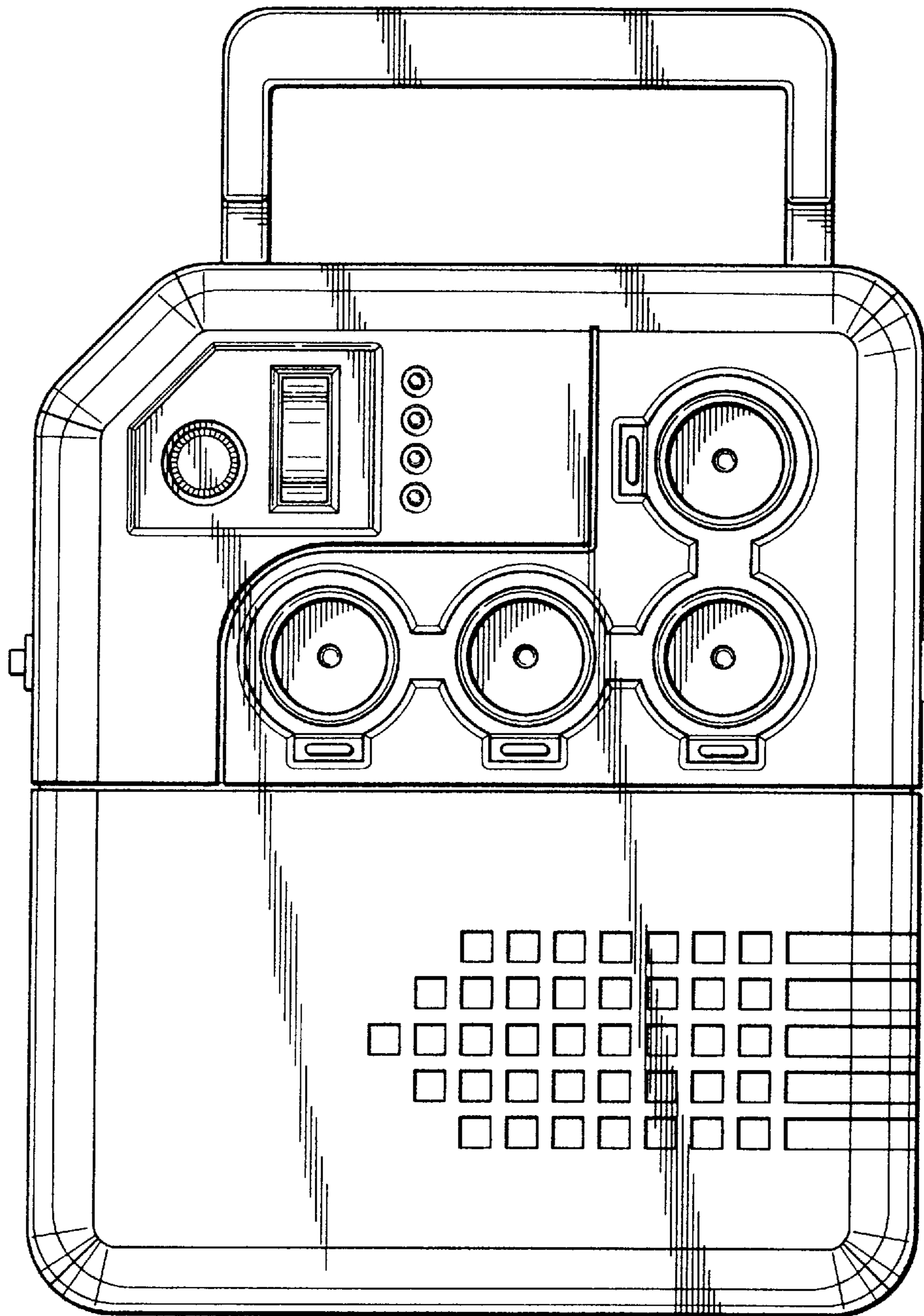


FIG. 3

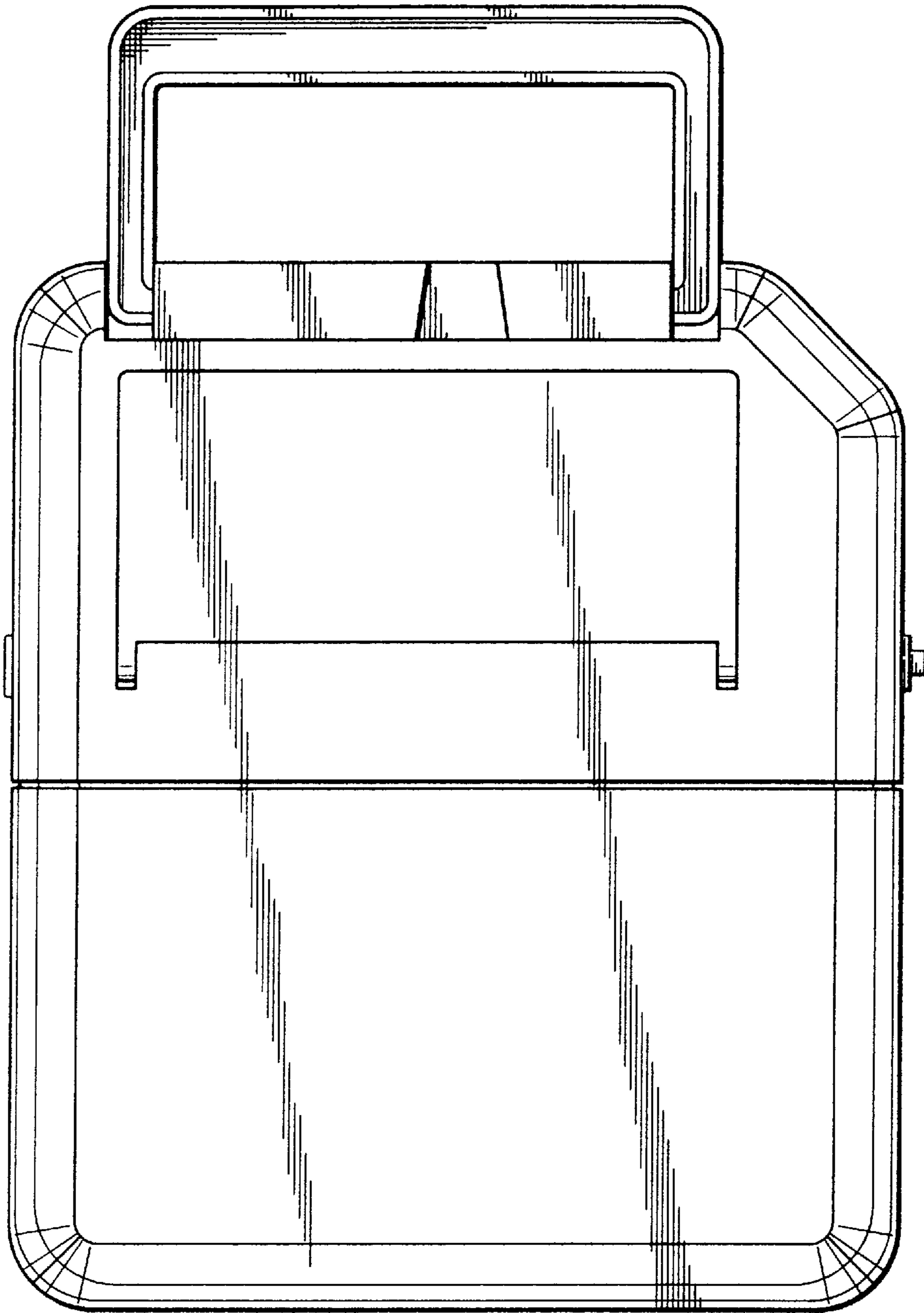


FIG. 4

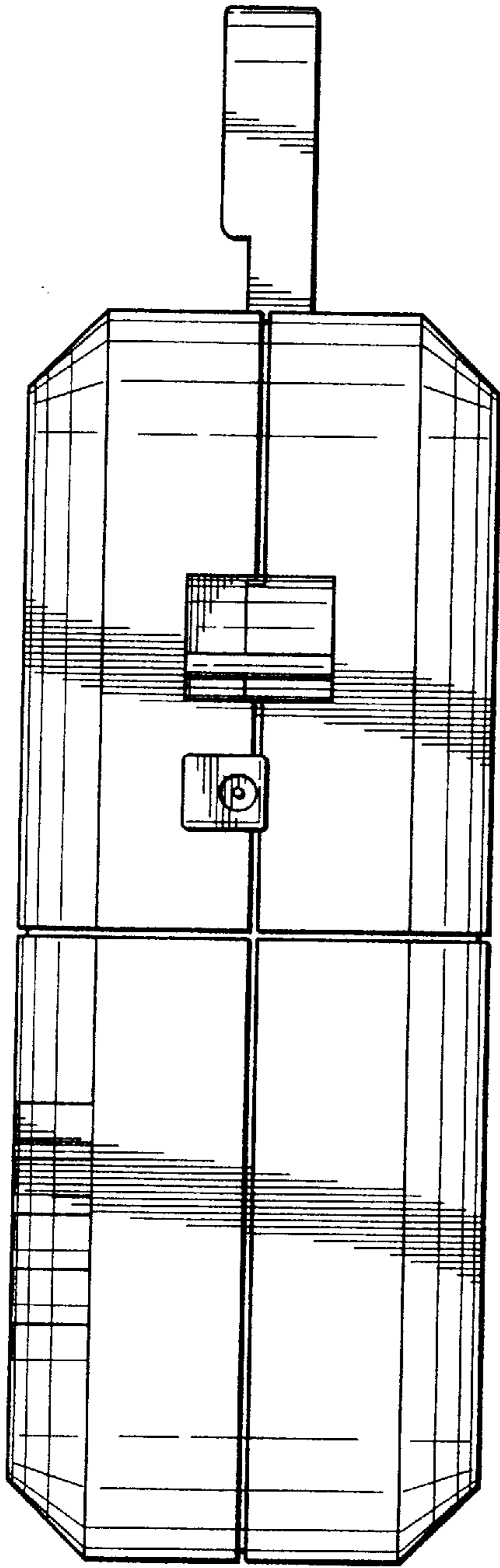


FIG. 5

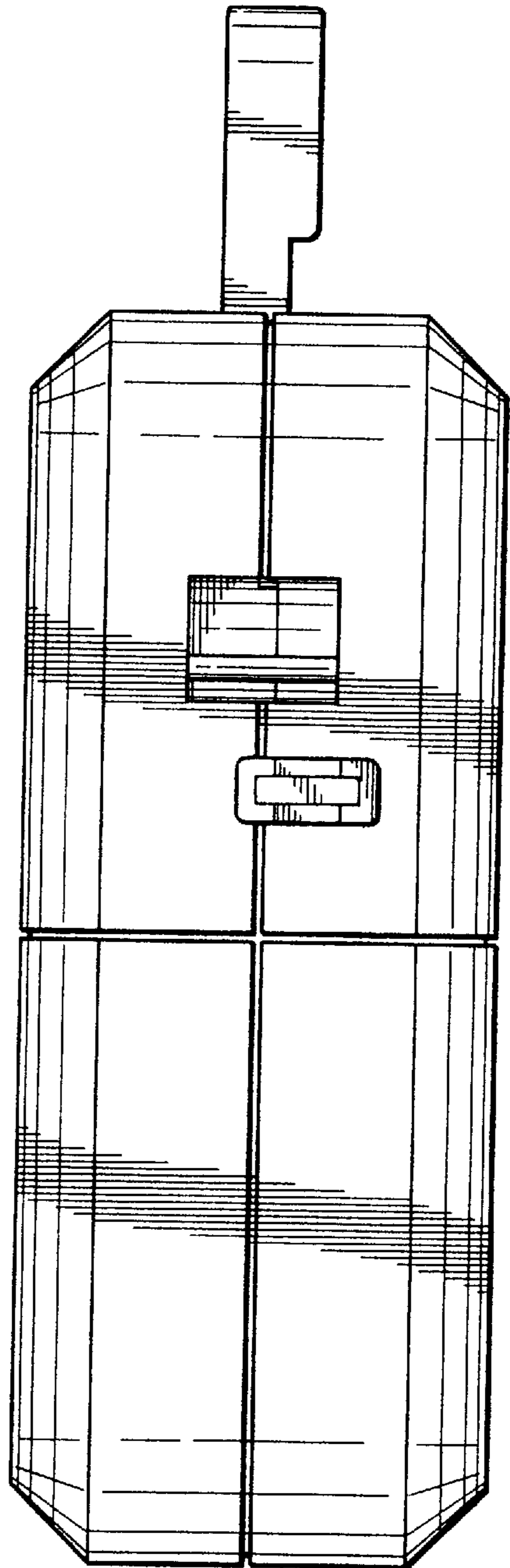


FIG. 6

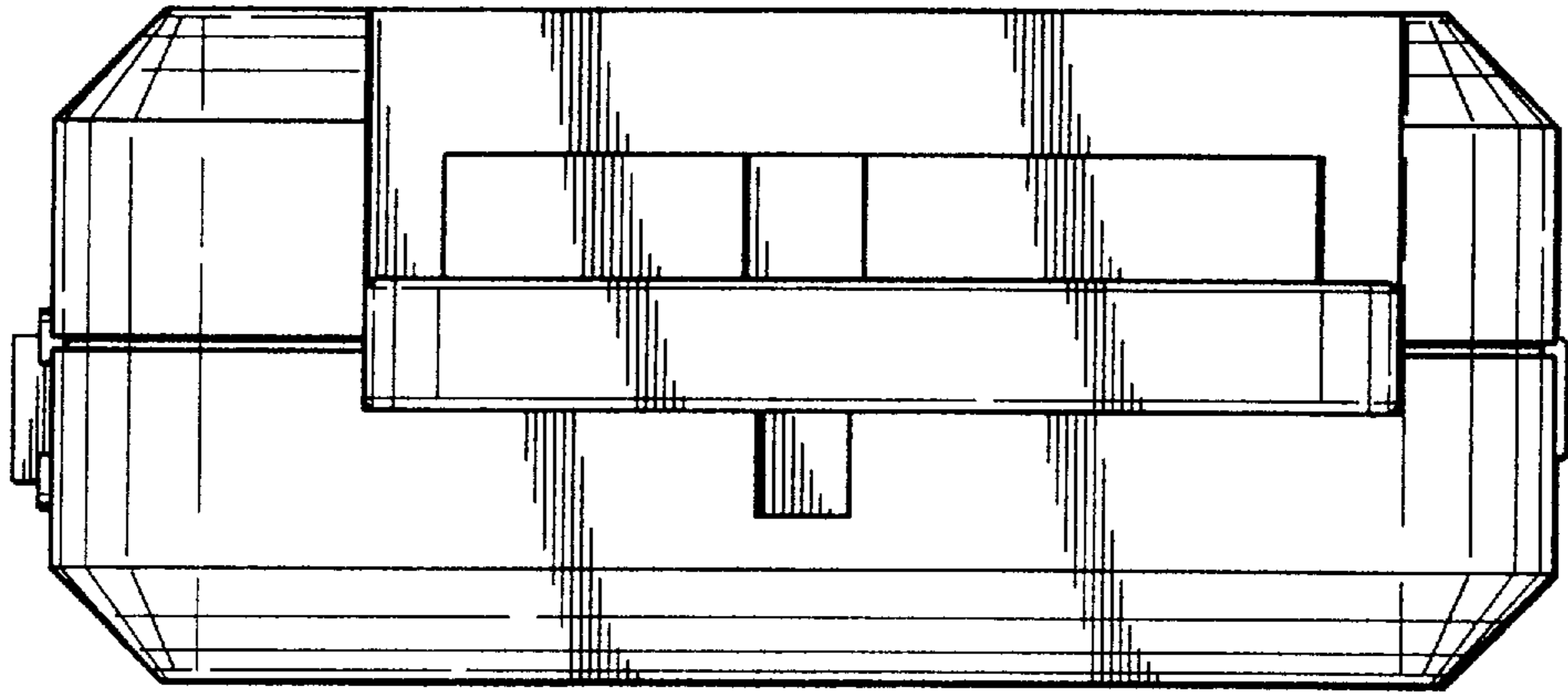


FIG. 7

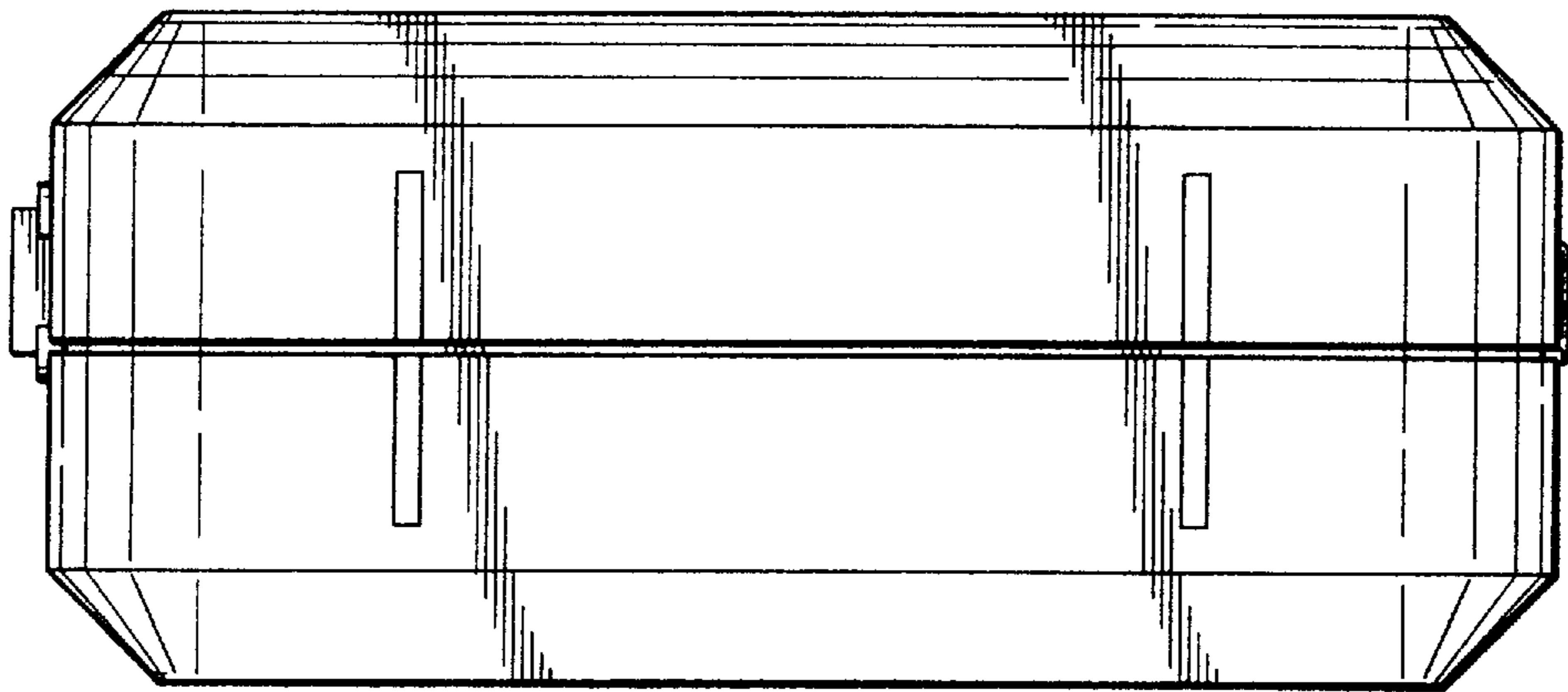


FIG. 8

UNITED STATES PATENT AND TRADEMARK OFFICE
CERTIFICATE OF CORRECTION

PATENT NO. : Des. 403,660

DATED : January 5, 1999

INVENTOR(S) : Tit-ying Poon

It is certified that error appears in the above-identified patent and that said Letters Patent is hereby corrected as shown below:

Title page, item [73] Assignee: Line 7, delete "Hong Kong"
(second occurrence).

Signed and Sealed this
Sixth Day of April, 1999



Q. TODD DICKINSON

Acting Commissioner of Patents and Trademarks

Attest:

Attesting Officer