



US00D403657S

United States Patent [19]

Nuovo et al.

[11] **Patent Number: Des. 403,657**

[45] **Date of Patent: **Jan. 5, 1999**

[54] **BATTERY FOR A PORTABLE ELECTRONIC APPARATUS**

[75] Inventors: **Frank Nuovo**, Los Angeles; **Gregor Magnusson**, Thousand Oaks; **Andy Vong**, Venice; **Sheldon Phillips**, Agoura, all of Calif.

[73] Assignee: **Nokia Mobile Phones Limited**, Espoo, Finland

[**] Term: **14 Years**

[21] Appl. No.: **66,788**

[22] Filed: **Feb. 21, 1997**

[51] **LOC (6) Cl.** **13-02**

[52] **U.S. Cl.** **D13/103**

[58] **Field of Search** D13/103, 118, D13/119; 429/96-100, 163, 176

[56] **References Cited**

U.S. PATENT DOCUMENTS

D. 328,733	8/1992	Seymour	D13/103
D. 329,040	9/1992	Seki et al.	D13/103
D. 331,566	12/1992	Seymour	D13/103
D. 331,906	12/1992	Mohri	D13/103
D. 346,580	5/1994	Tattari	D13/103
D. 346,581	5/1994	Tattari	D13/103
D. 349,882	8/1994	Johnson	D13/103

D. 350,110	8/1994	Johnson	D13/103
D. 357,896	5/1995	Berry	D13/103
D. 358,127	5/1995	Berry	D13/103
D. 358,128	5/1995	Berry et al.	D13/103
D. 359,267	6/1995	Berry et al.	D13/103
D. 360,184	7/1995	Richards et al.	D13/103
D. 361,309	8/1995	White	D13/103

OTHER PUBLICATIONS

SOWAH batteries on p. 481 of Hong Kong Enterprise, Jun. 19, 1995.

Primary Examiner—Joel Sincavage
Attorney, Agent, or Firm—Perman & Green, LLP

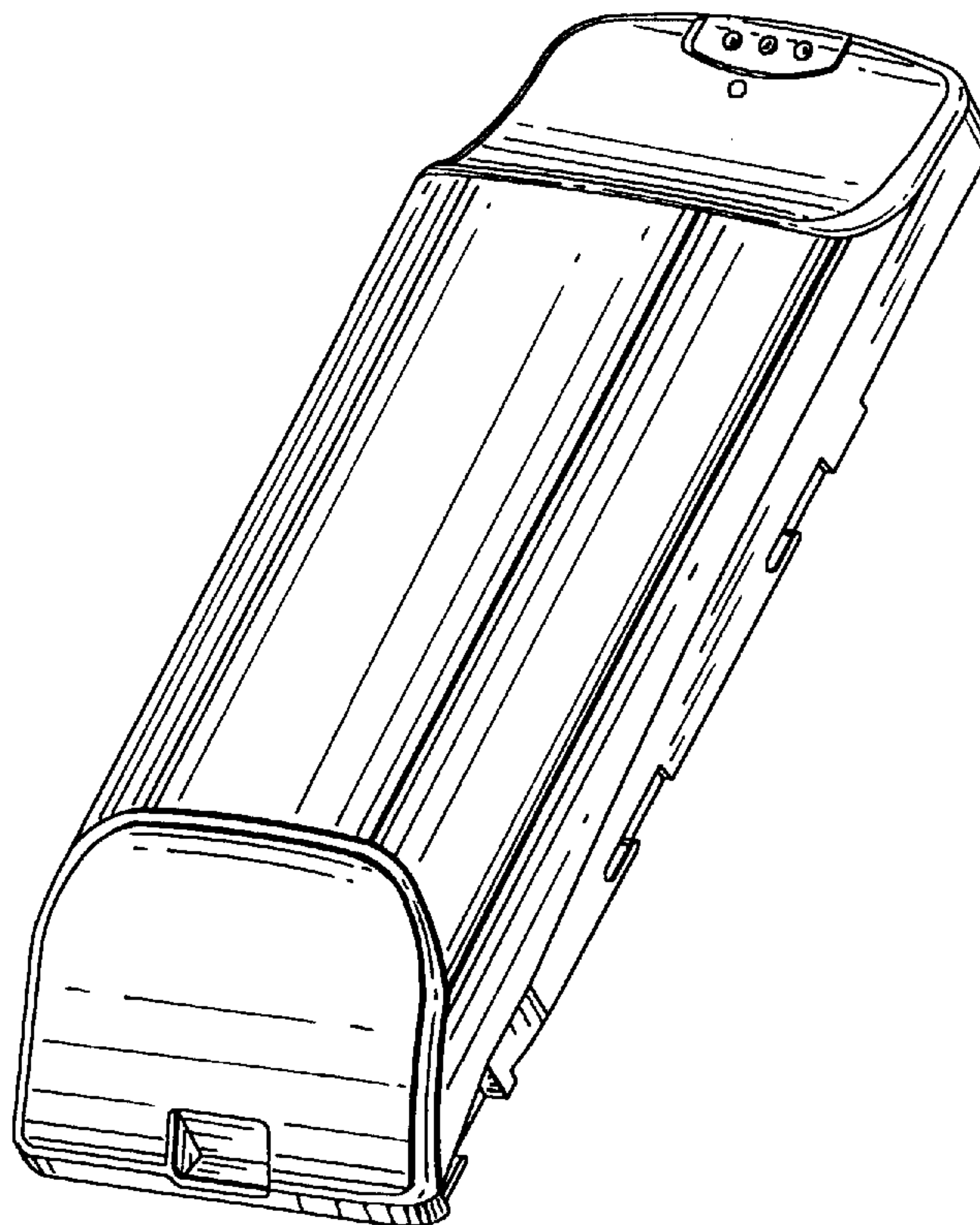
[57] **CLAIM**

We claim the ornamental design of a battery for a portable electronic apparatus, as shown and described.

DESCRIPTION

FIG. 1 is a bottom, front and right side perspective view showing our new design;
FIG. 2 is a top, rear and right side perspective view thereof;
FIG. 3 is a rear elevational view thereof;
FIG. 4 is a front elevational view thereof;
FIG. 5 is a right side elevational view thereof;
FIG. 6 is a left side elevational view thereof;
FIG. 7 is a plan bottom view thereof; and,
FIG. 8 is a plan top view thereof.

1 Claim, 2 Drawing Sheets



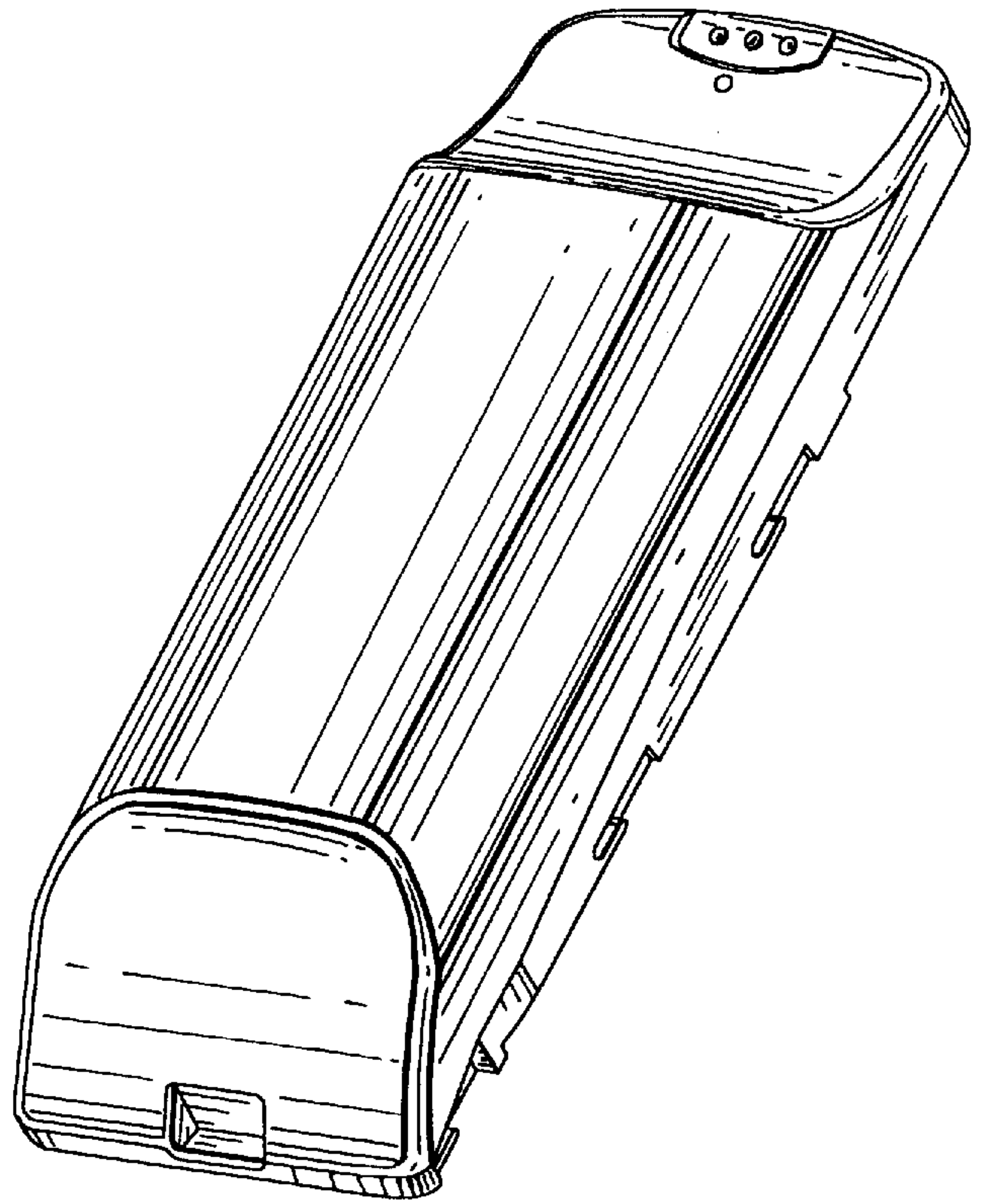


FIG. 1

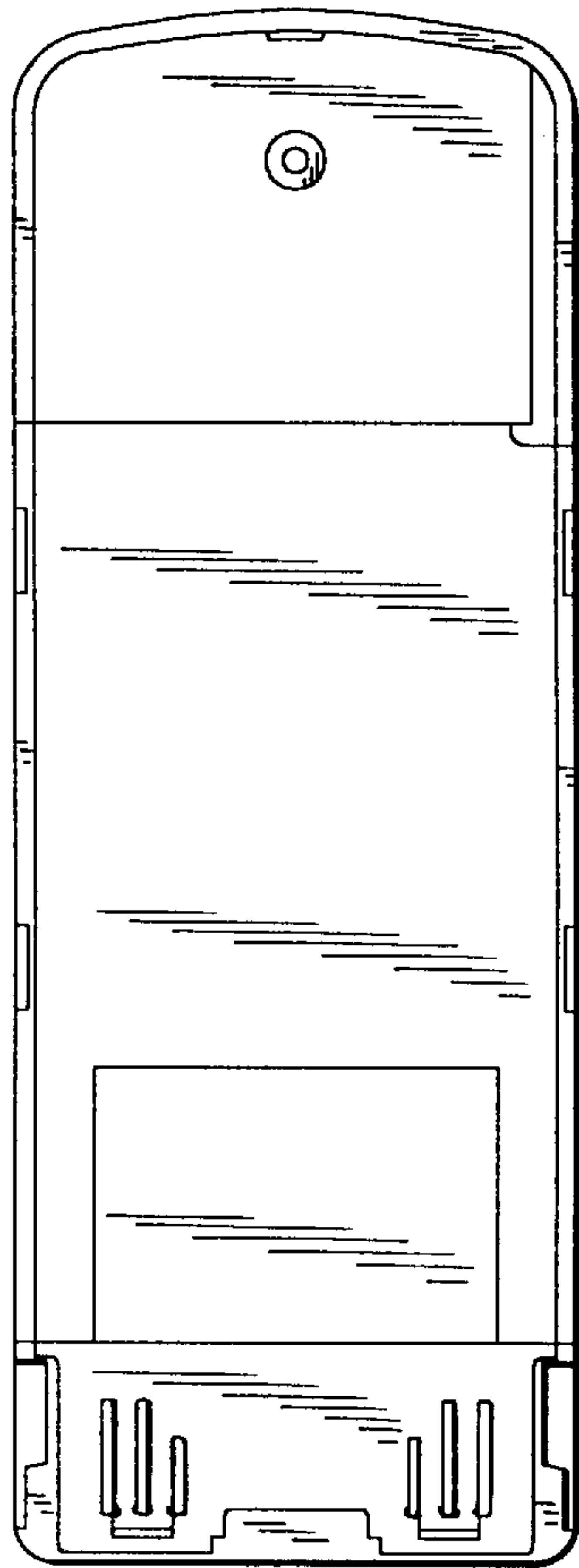


FIG. 3

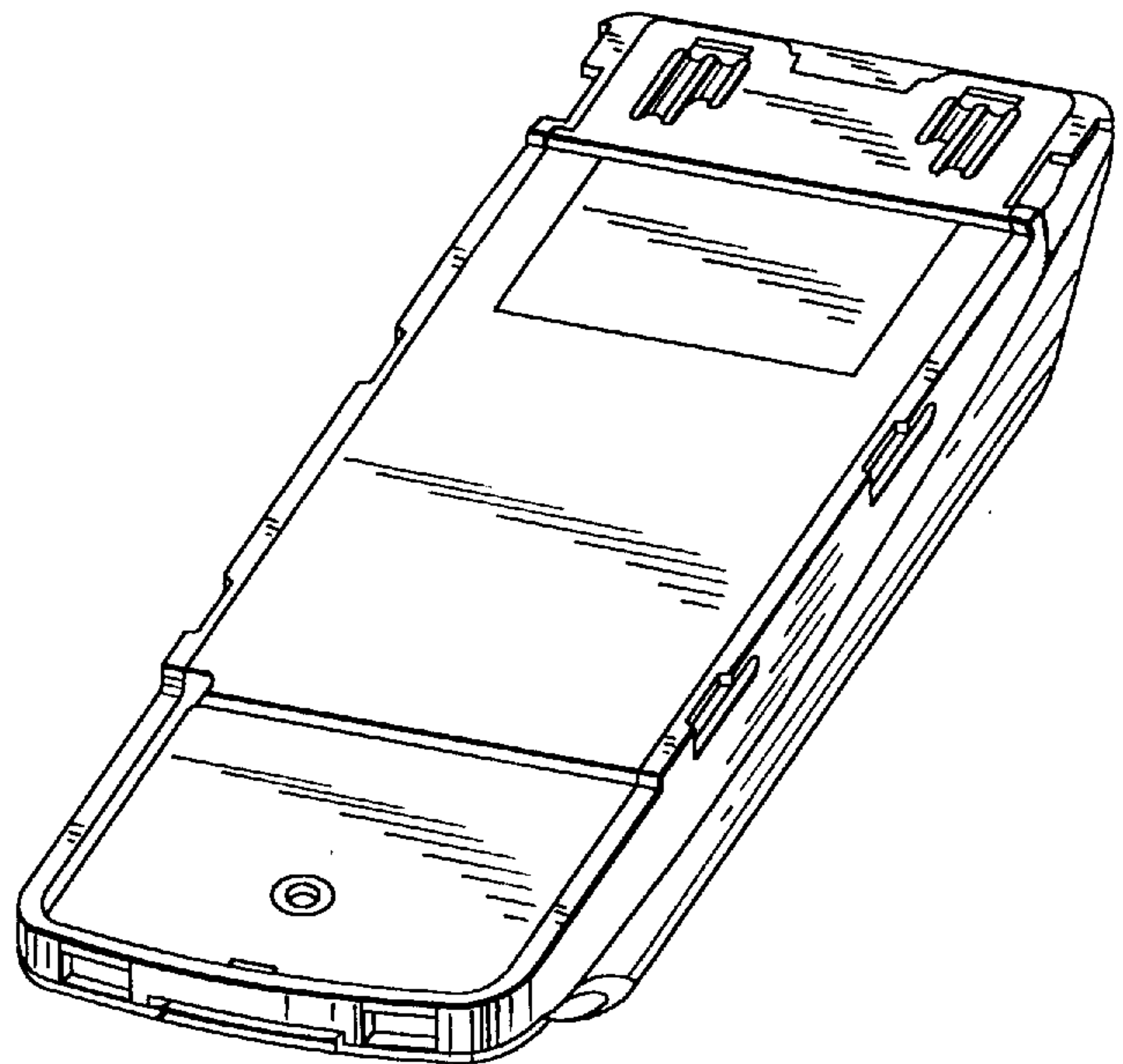


FIG. 2

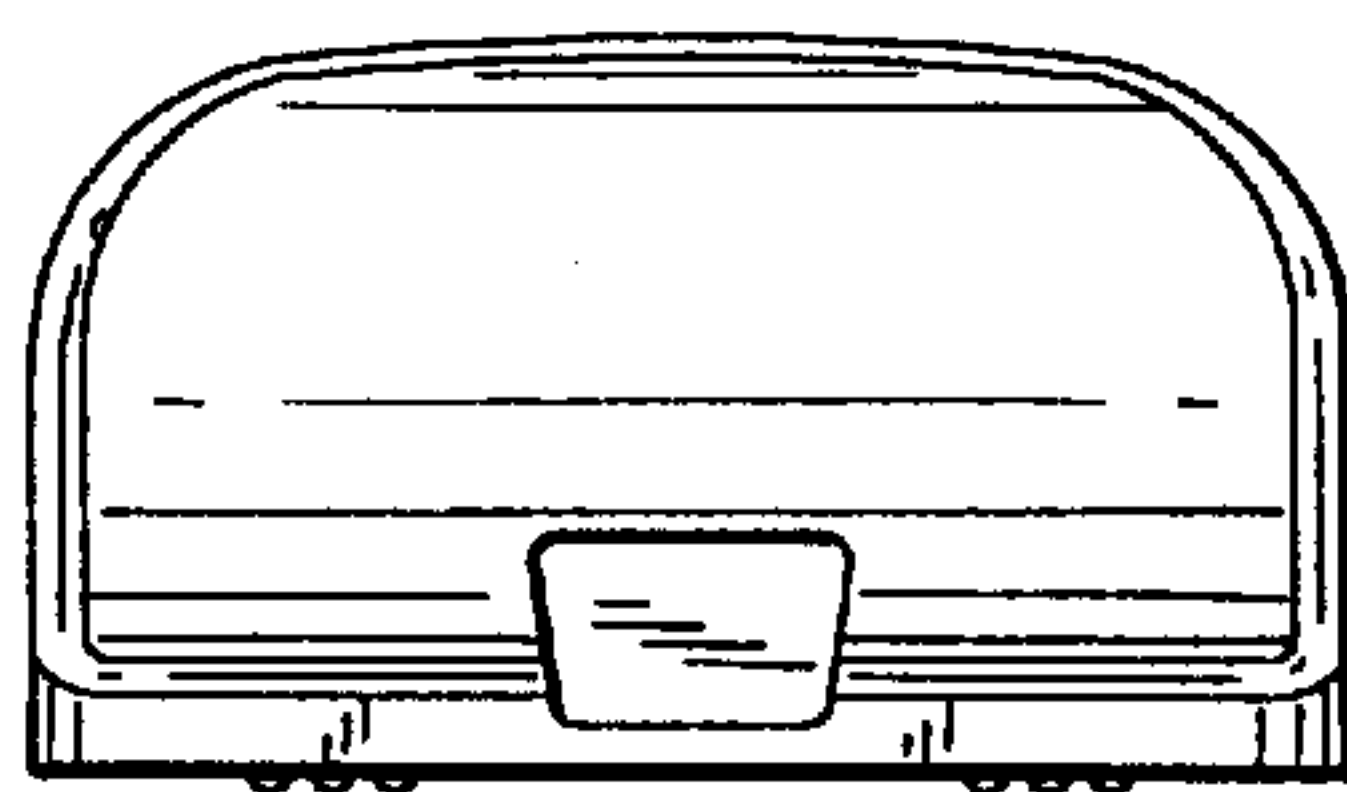


FIG. 7

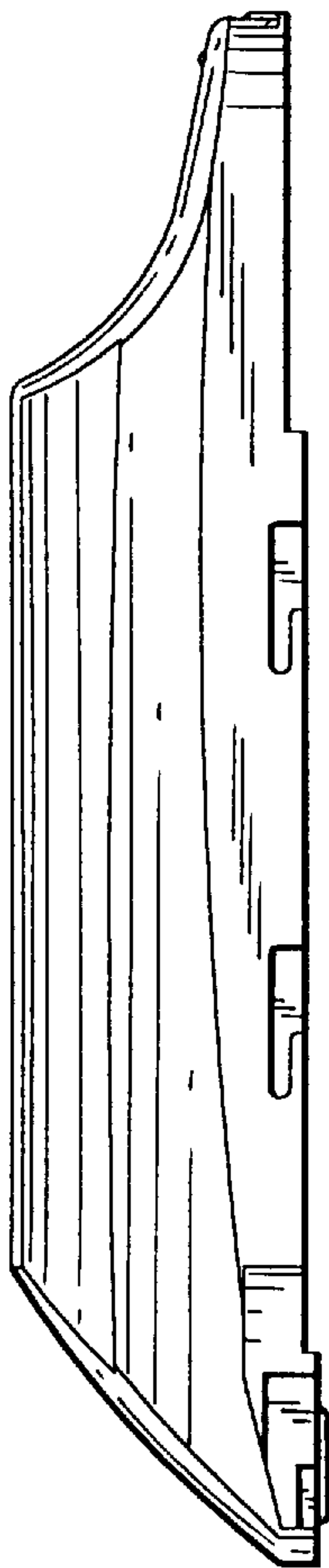


FIG. 5

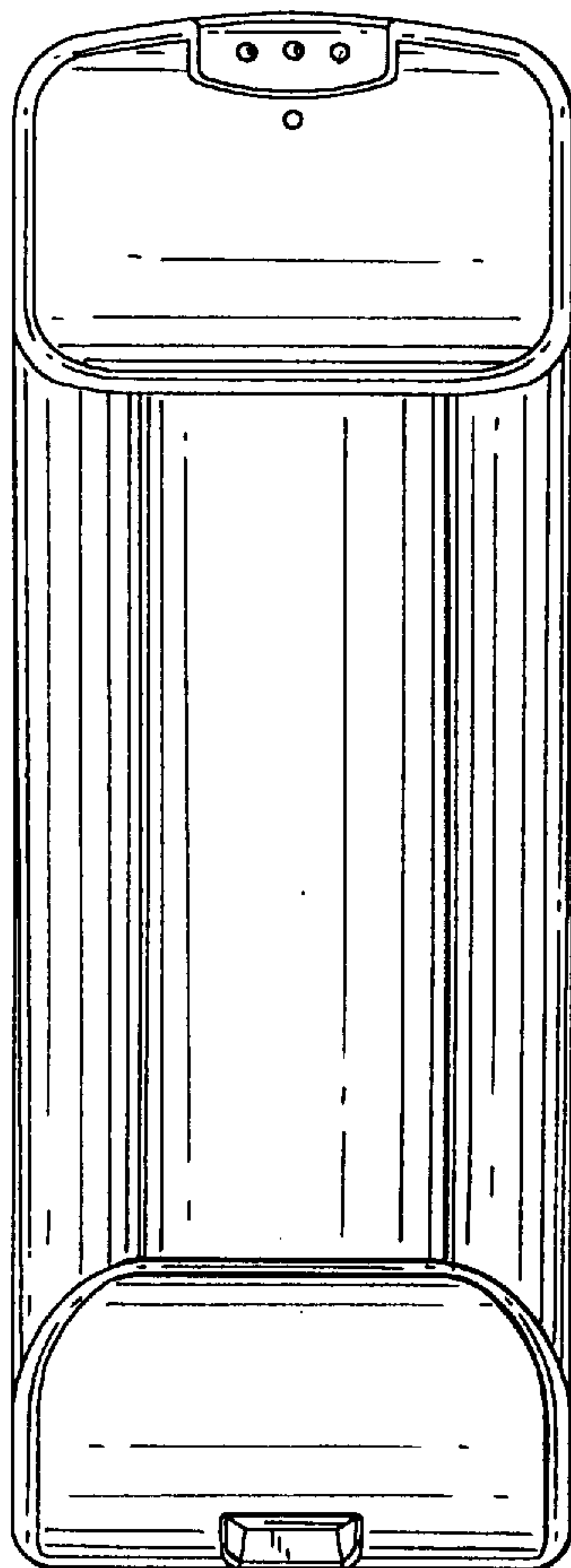


FIG. 4

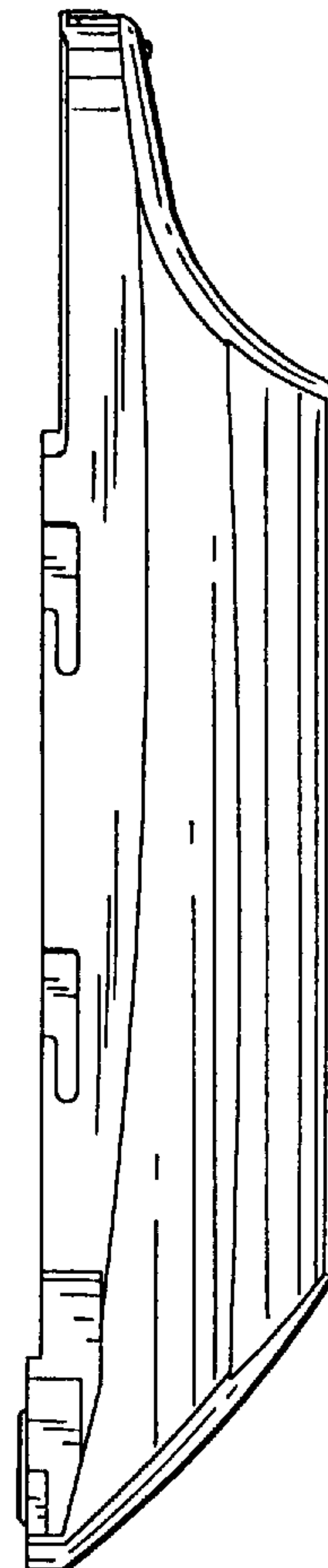


FIG. 6

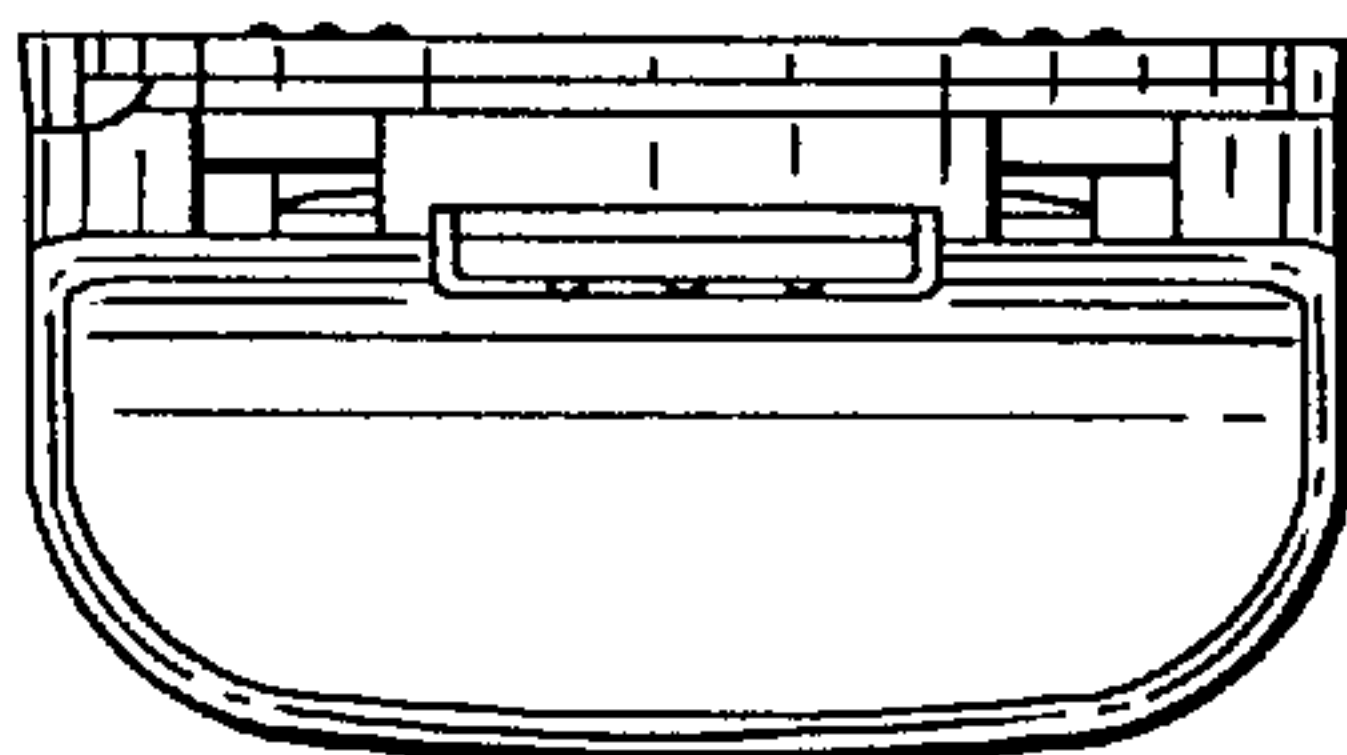


FIG. 8