



US00D403656S

# United States Patent [19] Ichikawa

[11] **Patent Number: Des. 403,656**

[45] **Date of Patent: \*\*Jan. 5, 1999**

[54] **RECHARGEABLE BATTERY**

[75] Inventor: **Toru Ichikawa**, Tokyo, Japan

[73] Assignee: **Sony Corporation**, Tokyo, Japan

[\*\*] Term: **14 Years**

[21] Appl. No.: **62,060**

[22] Filed: **Nov. 6, 1996**

[51] **LOC (6) Cl. .... 13-02**

[52] **U.S. Cl. .... D13/103**

[58] **Field of Search .... D13/103, 118,  
D13/119; 429/96-100, 163, 176**

### [56] **References Cited**

#### U.S. PATENT DOCUMENTS

D. 358,126	5/1995	Sakuma et al. ....	D13/103
D. 362,424	9/1995	Sumita et al. ....	D13/103
D. 363,055	10/1995	Kobayashi et al. ....	D13/103

#### FOREIGN PATENT DOCUMENTS

78849	5/1990	Japan .
78849-1	6/1990	Japan .
886392	12/1993	Japan .

#### OTHER PUBLICATIONS

Sony Corporation, "Sony Recording Media & Energy Company Product List" (May 1996).  
Sony Coporation, "Sony Accessory Collection 58", pp. 10-12, 16-20, 260 (Jul. 1996).

*Primary Examiner*—Joel Sincavage  
*Attorney, Agent, or Firm*—Foley & Lardner

### [57] **CLAIM**

The ornamental design for a rechargeable battery, as shown and described.

### **DESCRIPTION**

FIG. 1 is a perspective view of a first embodiment of a rechargeable battery showing my new design;  
FIG. 2 is a top plan view thereof;  
FIG. 3 is a left side elevational view thereof;  
FIG. 4 is a front elevational view thereof;  
FIG. 5 is a bottom plan view thereof;  
FIG. 6 is a right side elevational view thereof;  
FIG. 7 is a rear elevational view thereof;  
FIG. 8 is a perspective view of a second embodiment of a rechargeable battery showing my new design;  
FIG. 9 is a top plan view of the embodiment of FIG. 8;  
FIG. 10 is a left side elevational view of the embodiment of FIG. 8;  
FIG. 11 is a front elevational view of the embodiment of FIG. 8;  
FIG. 12 is a bottom plan view of the embodiment of FIG. 8;  
FIG. 13 is a right side elevational view of the embodiment of FIG. 8; and,  
FIG. 14 is a rear elevational view of the embodiment of FIG. 8.

**1 Claim, 6 Drawing Sheets**

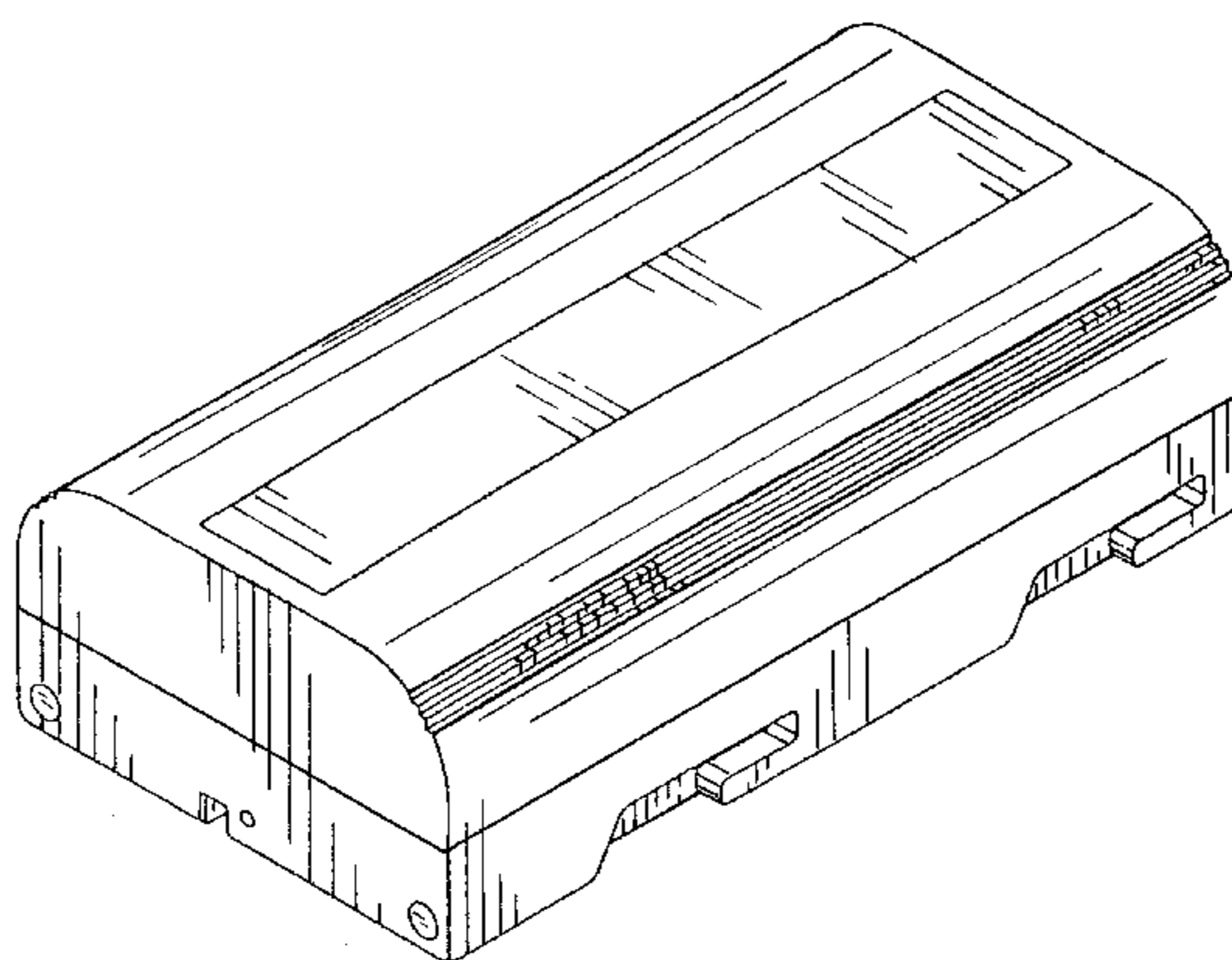
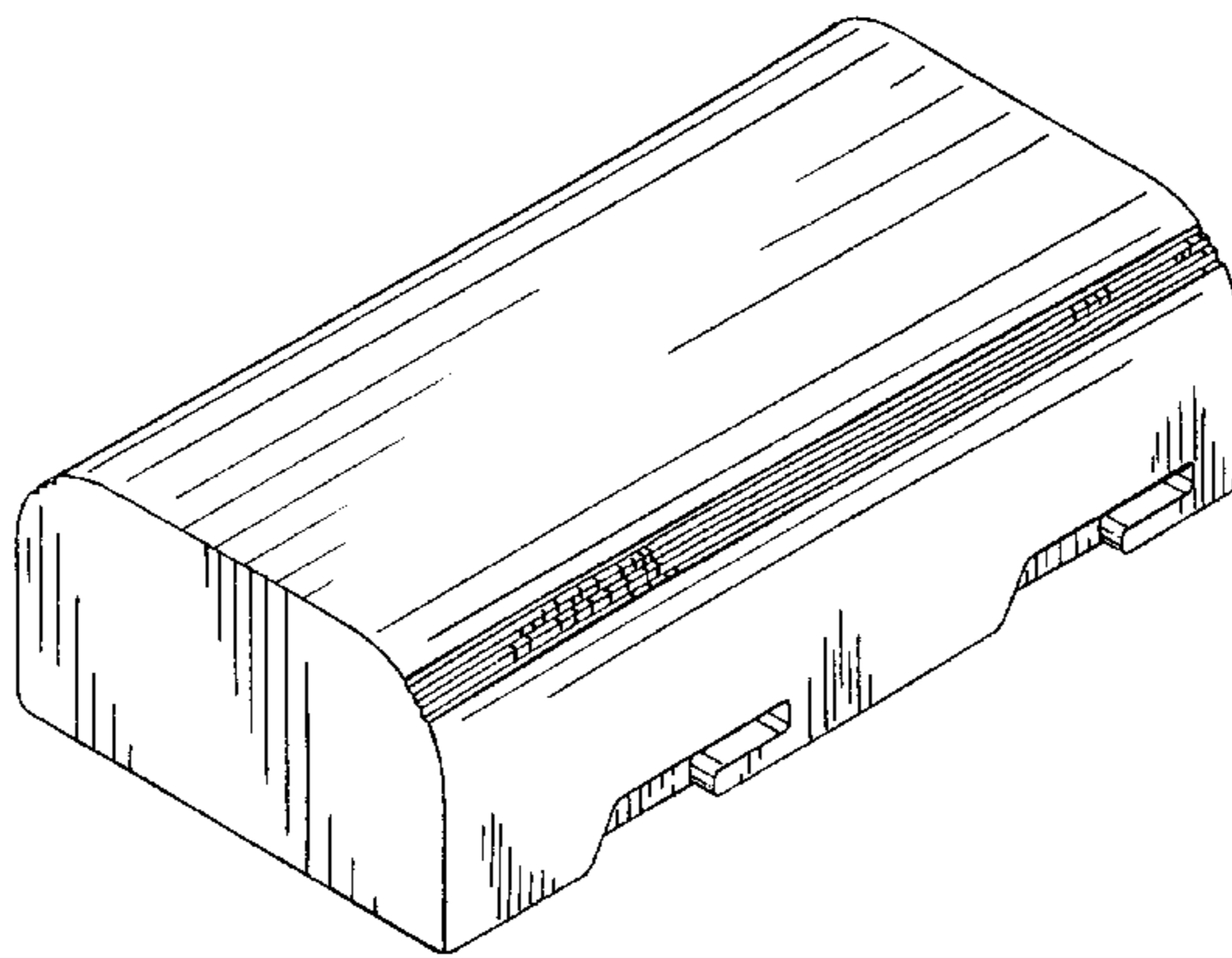


FIG. 1

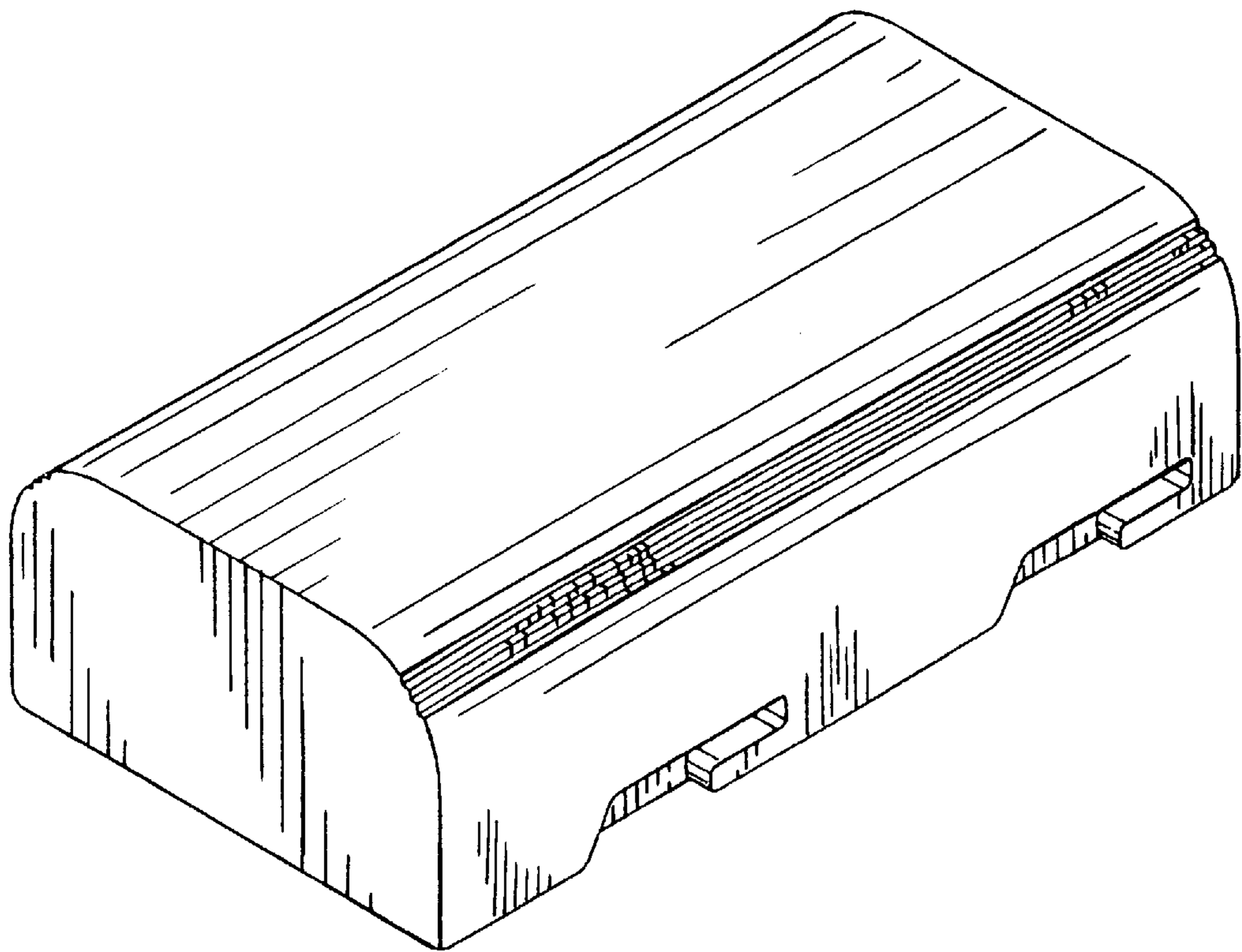


FIG. 2

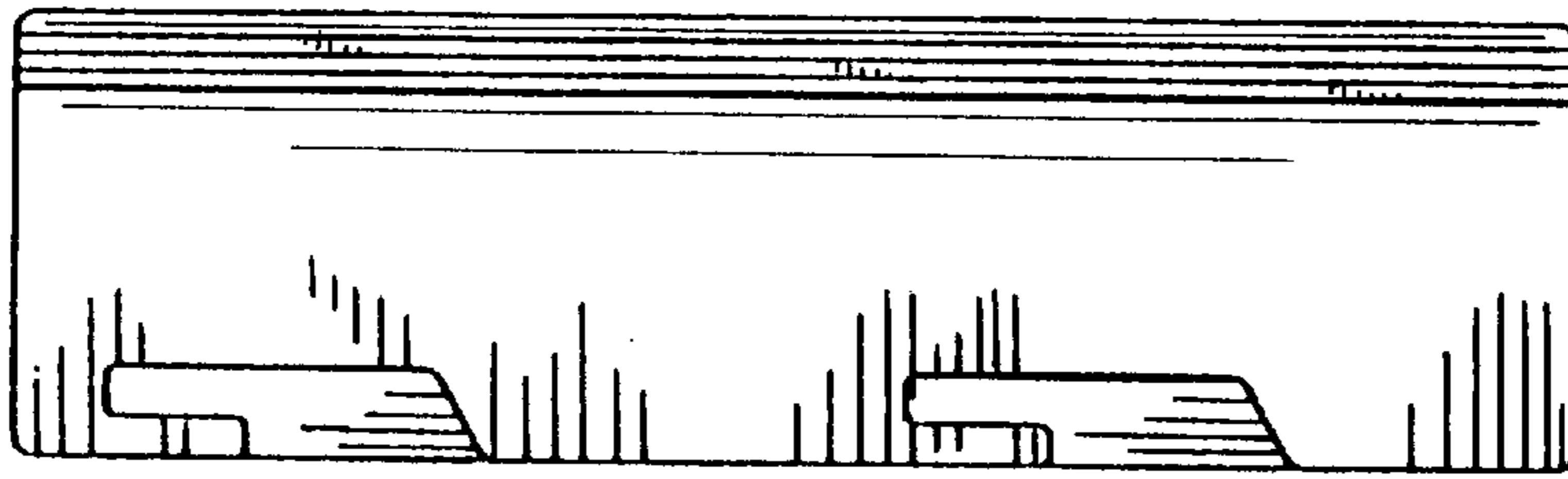


FIG. 3

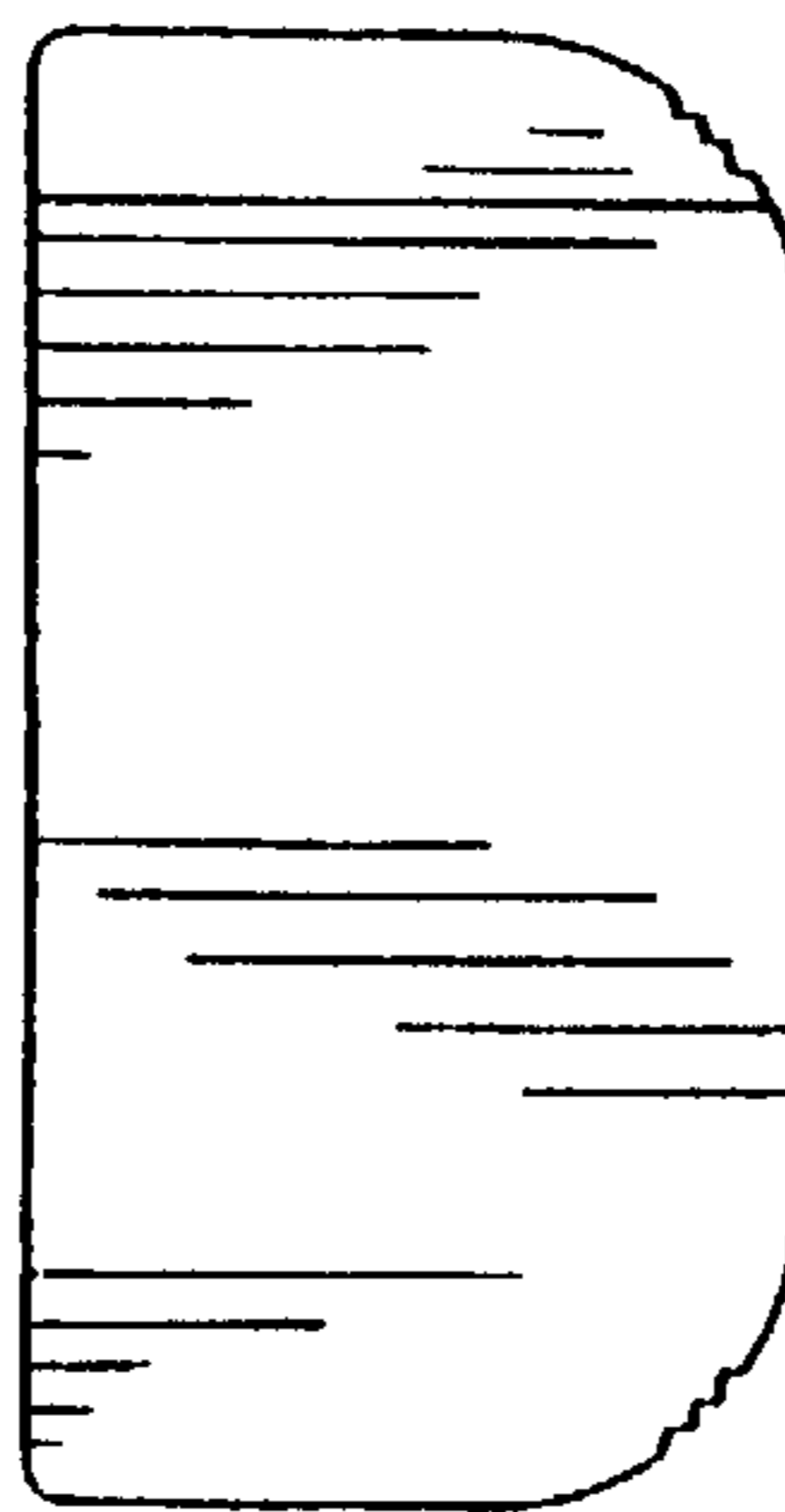


FIG. 4

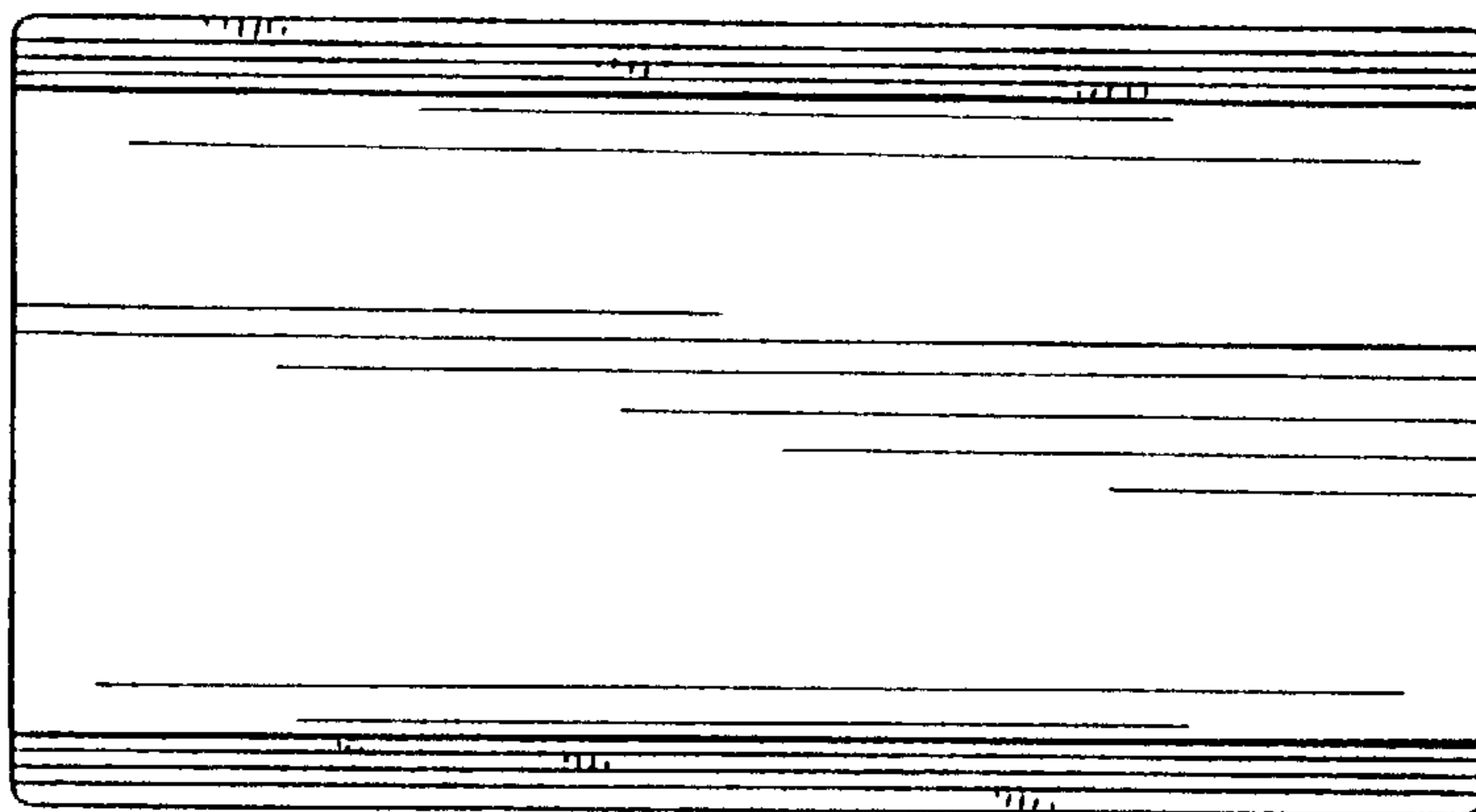


FIG. 5

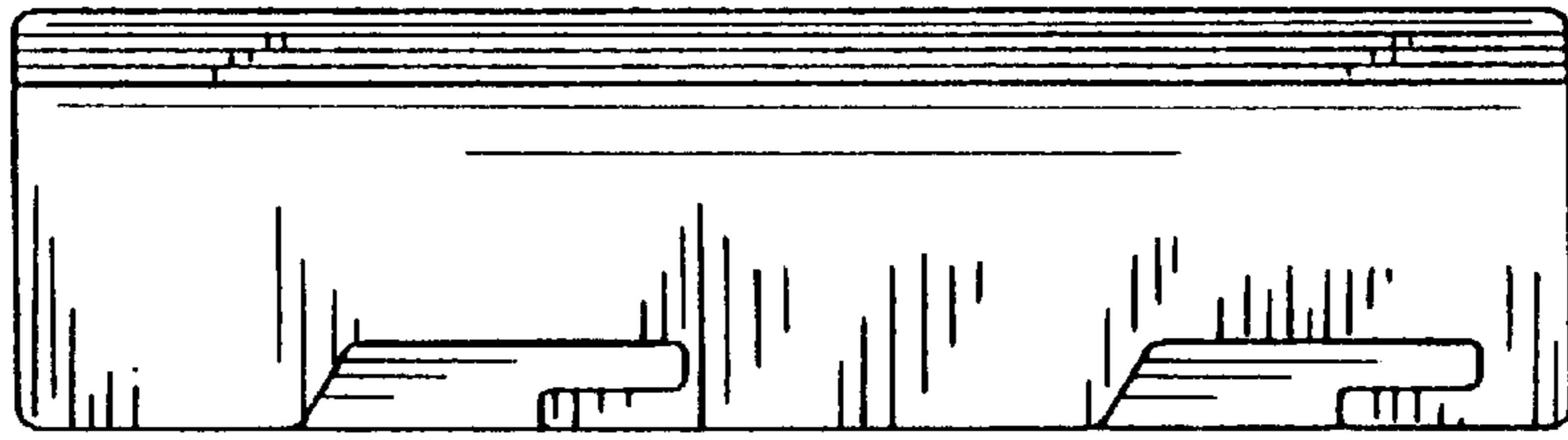


FIG. 6

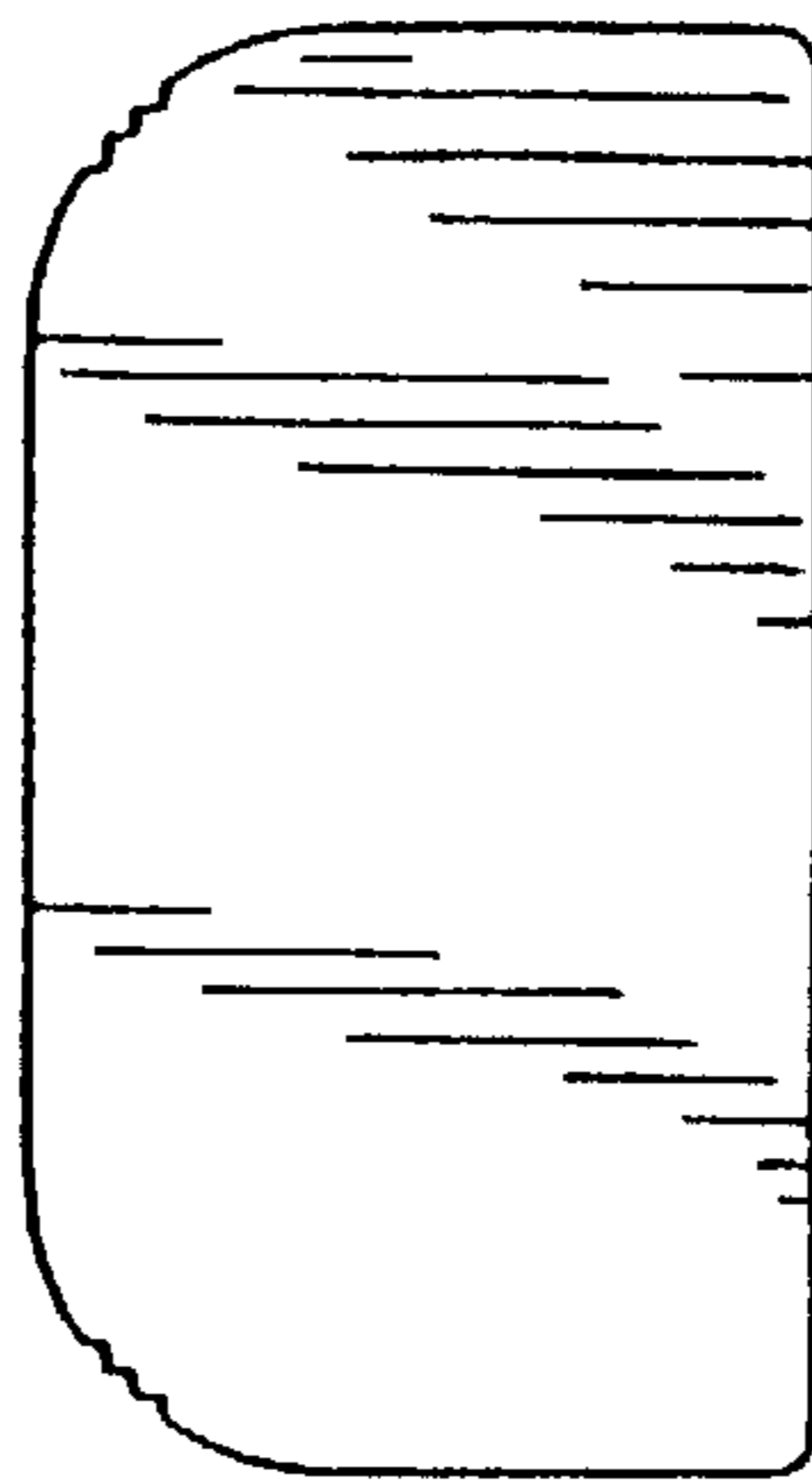


FIG. 7

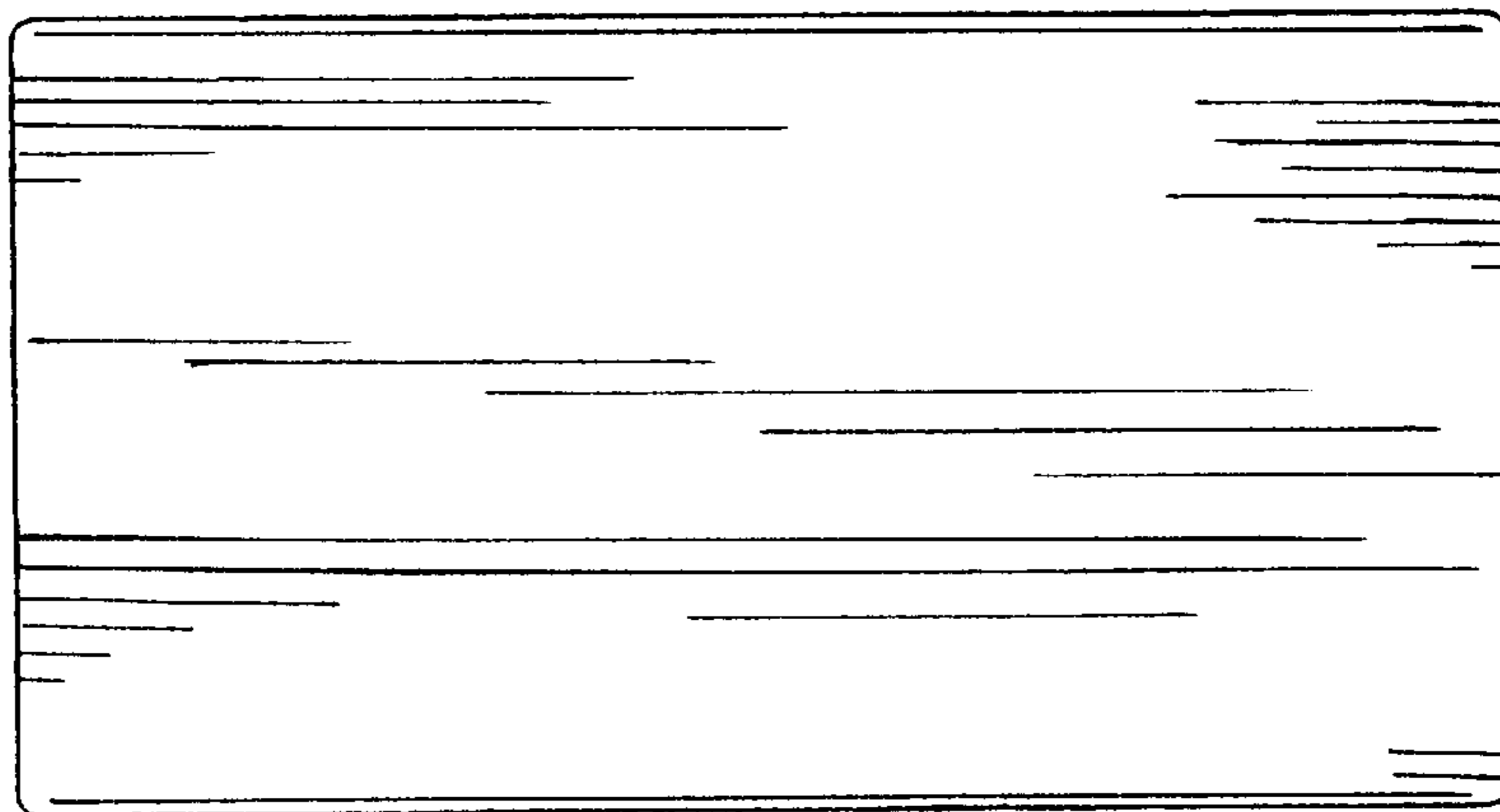


FIG. 8

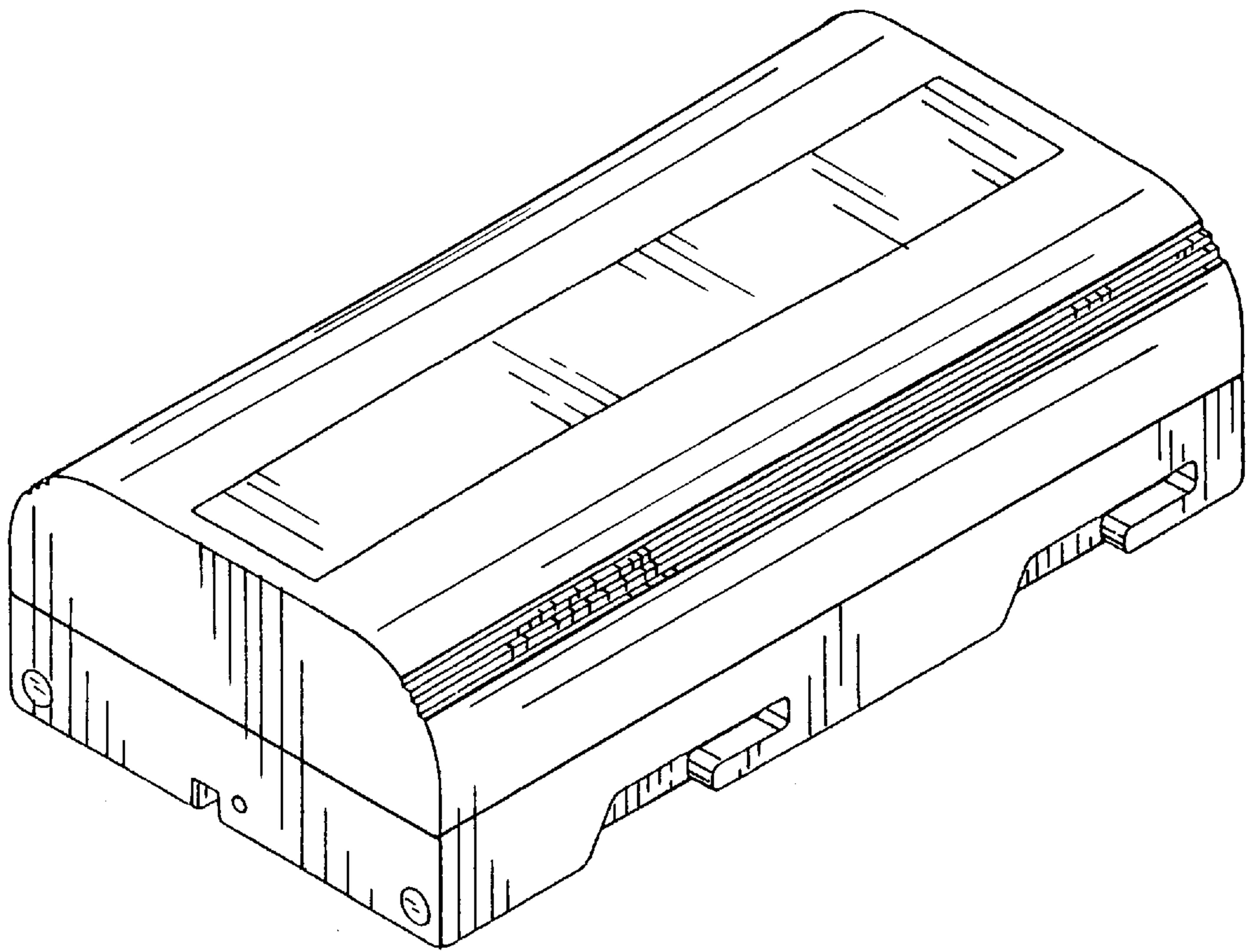


FIG. 9

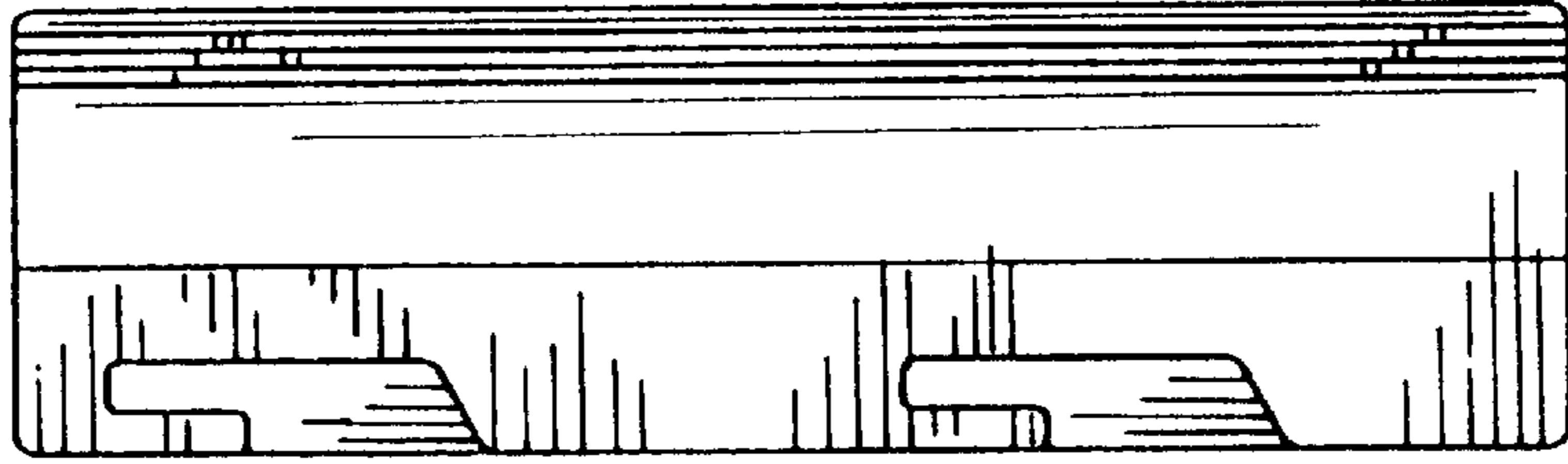


FIG. 10

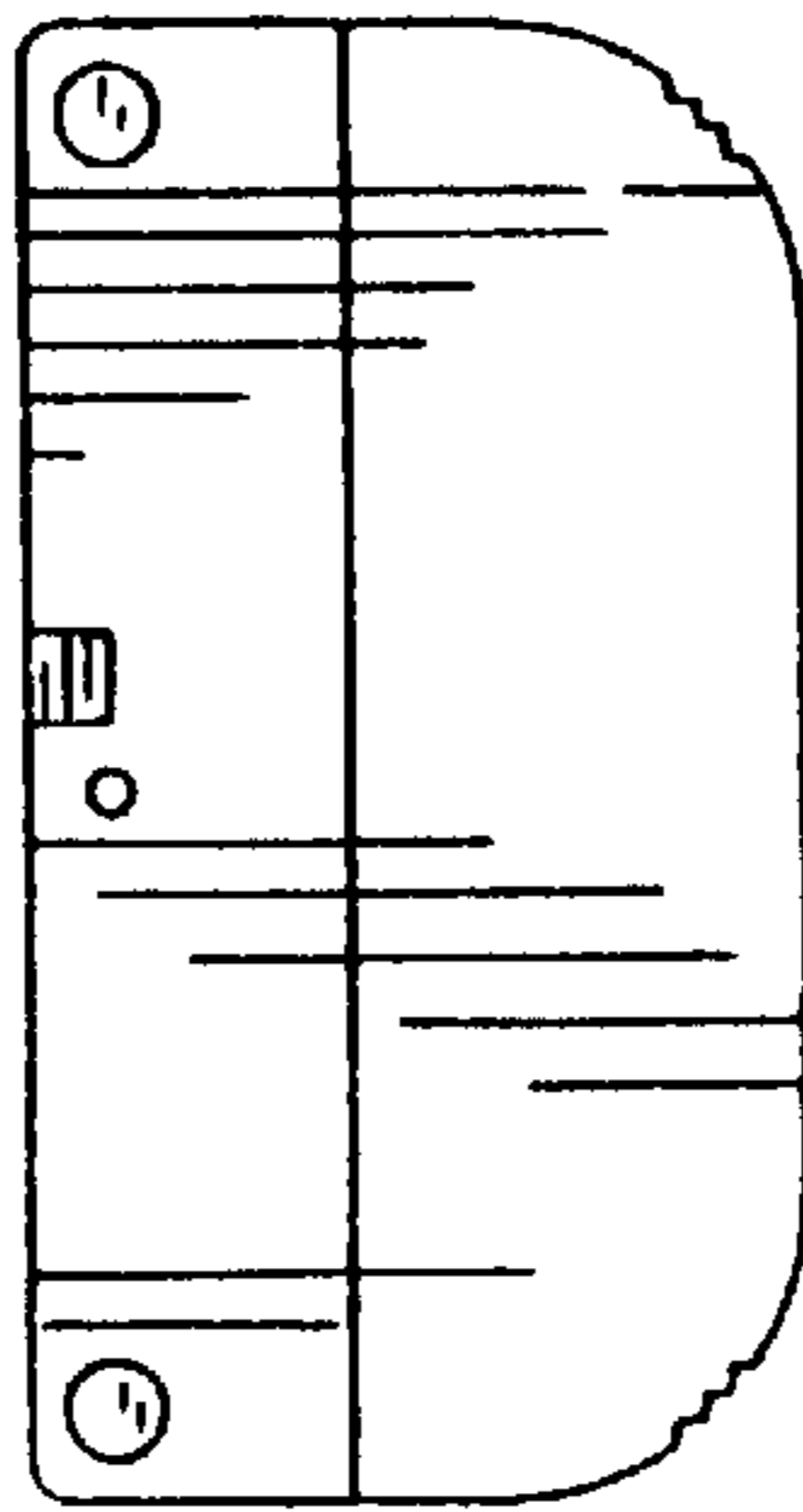


FIG. 11

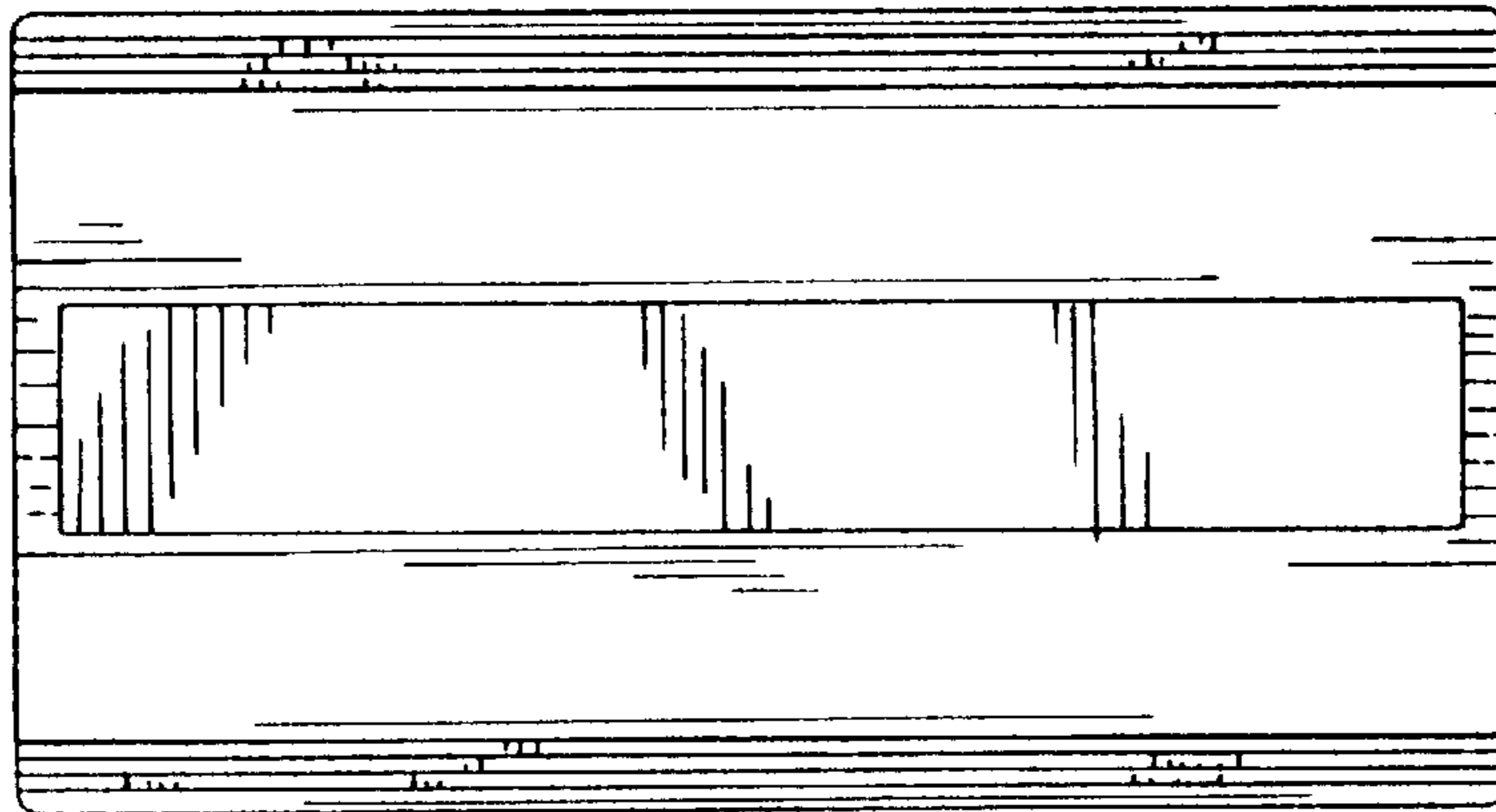


FIG. 12

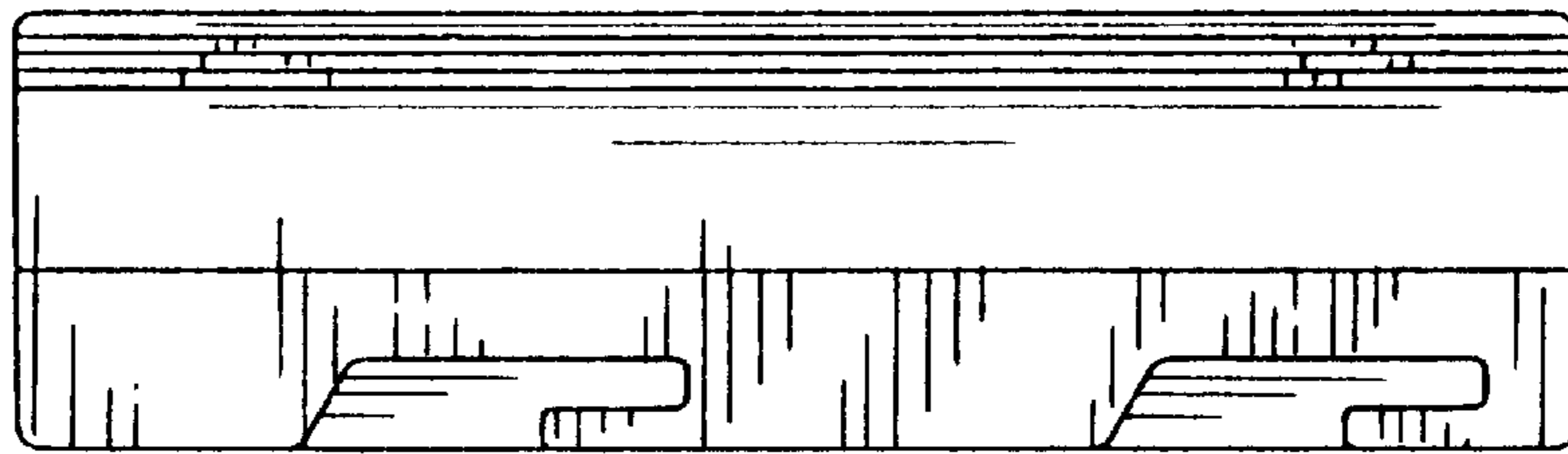


FIG. 13

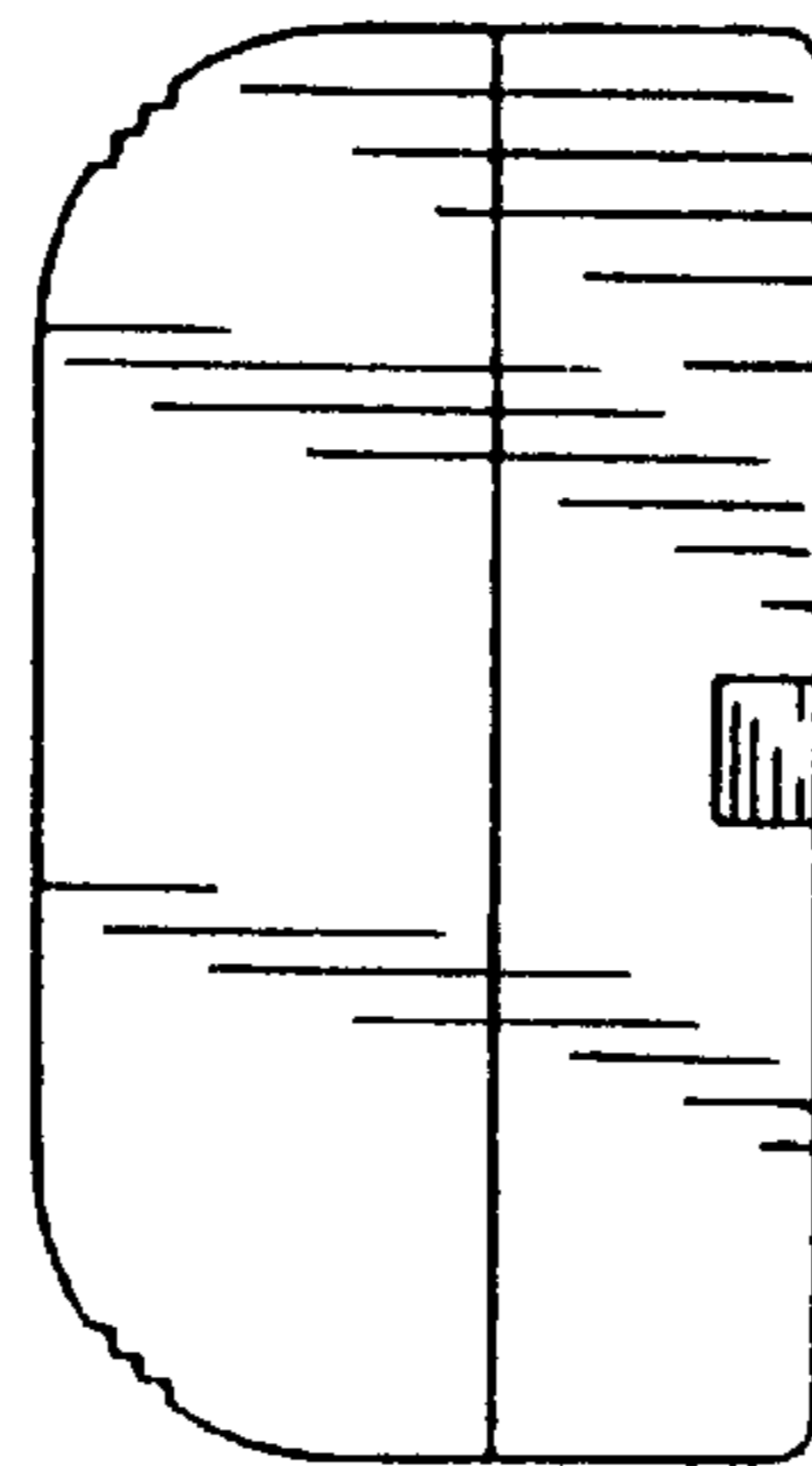


FIG. 14

