



US00D403655S

United States Patent [19] Johansson

[11] **Patent Number: Des. 403,655**

[45] **Date of Patent: **Jan. 5, 1999**

[54] **BATTERY**

[75] Inventor: **Panu Johansson**, Tampere, Finland

[73] Assignee: **Nokia Mobile Phones Limited**, Salo, Finland

[**] Term: **14 Years**

[21] Appl. No.: **58,768**

[22] Filed: **Aug. 22, 1996**

[30] **Foreign Application Priority Data**

Feb. 23, 1996 [FI] Finland 132/96

[51] **LOC (6) Cl.** **13-02**

[52] **U.S. Cl.** **D13/103**

[58] **Field of Search** D13/103; 429/96-100,
429/176, 187

[56] **References Cited**

U.S. PATENT DOCUMENTS

D. 321,183	10/1991	Powell et al.	D14/138
D. 328,733	8/1992	Seymour	D13/103
D. 331,566	12/1992	Seymour	D13/103
D. 346,580	5/1994	Tattari	D13/103
346,581	5/1994	Tattari	D13/103

D. 349,882	8/1994	Johnson	D13/103
D. 350,110	8/1994	Johnson	D13/103
D. 357,896	5/1995	Berry	D13/103
D. 358,127	5/1995	Berry	D13/103
D. 358,128	5/1995	Berry et al.	D13/103
D. 359,267	6/1995	Berry et al.	D13/103
D. 361,309	8/1995	White	D13/103
D. 374,424	10/1996	Nagele et al.	D13/103
D. 376,127	12/1996	Nagele et al.	D13/103

Primary Examiner—Joel Sincavage
Attorney, Agent, or Firm—Perman & Green, LLP

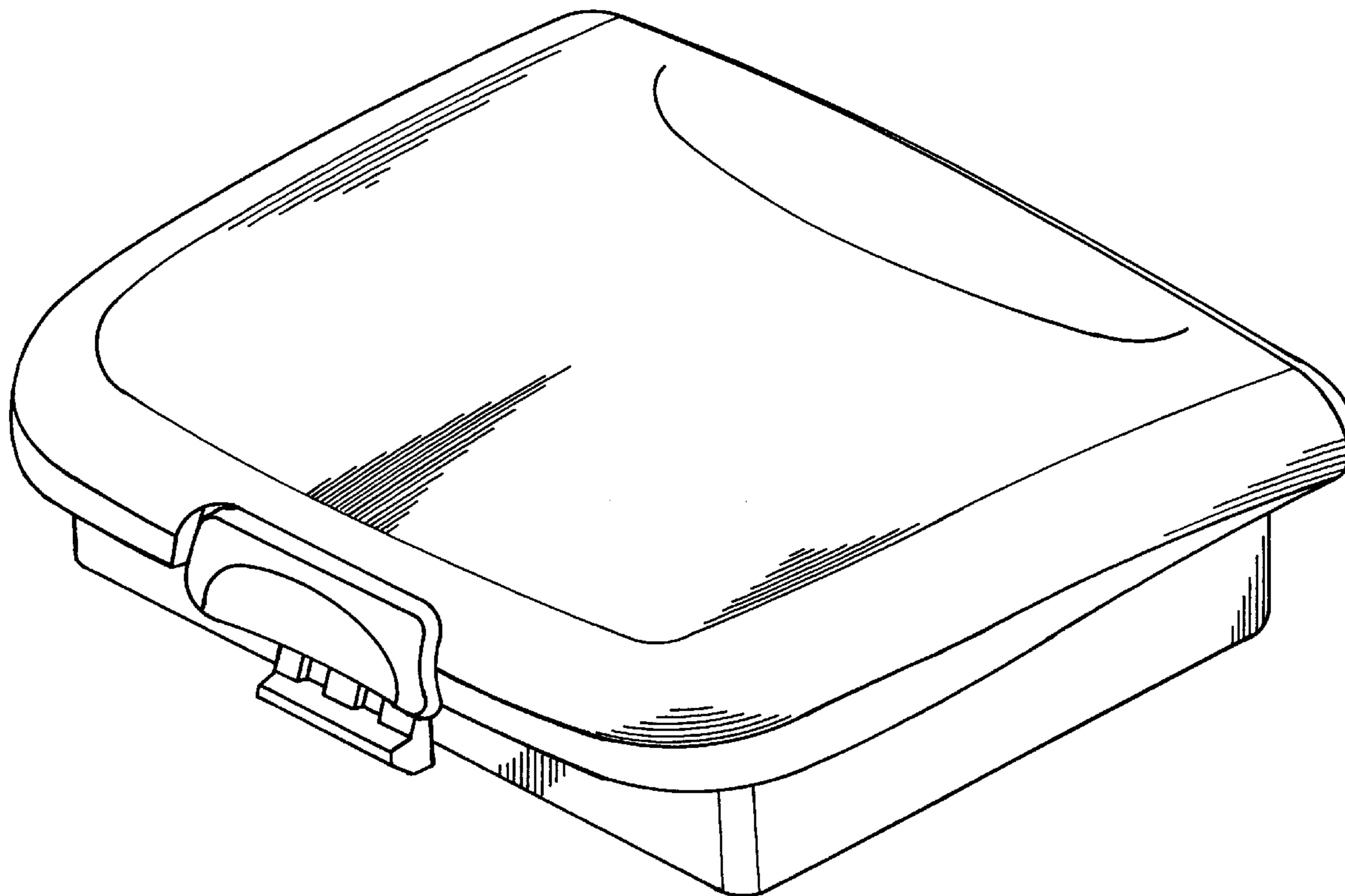
[57] **CLAIM**

The ornamental design for a battery, as shown and described.

DESCRIPTION

FIG. 1 is a rear perspective view showing one side and a bottom view;
FIG. 2 is a front perspective view showing the other side and a top view;
FIG. 3 is a top plan view;
FIG. 4 is a side view as seen from one side;
FIG. 5 is a side view as seen from the other side;
FIG. 6 is a bottom plan view;
FIG. 7 is a rear elevation view; and,
FIG. 8 is a front elevation view.

1 Claim, 4 Drawing Sheets



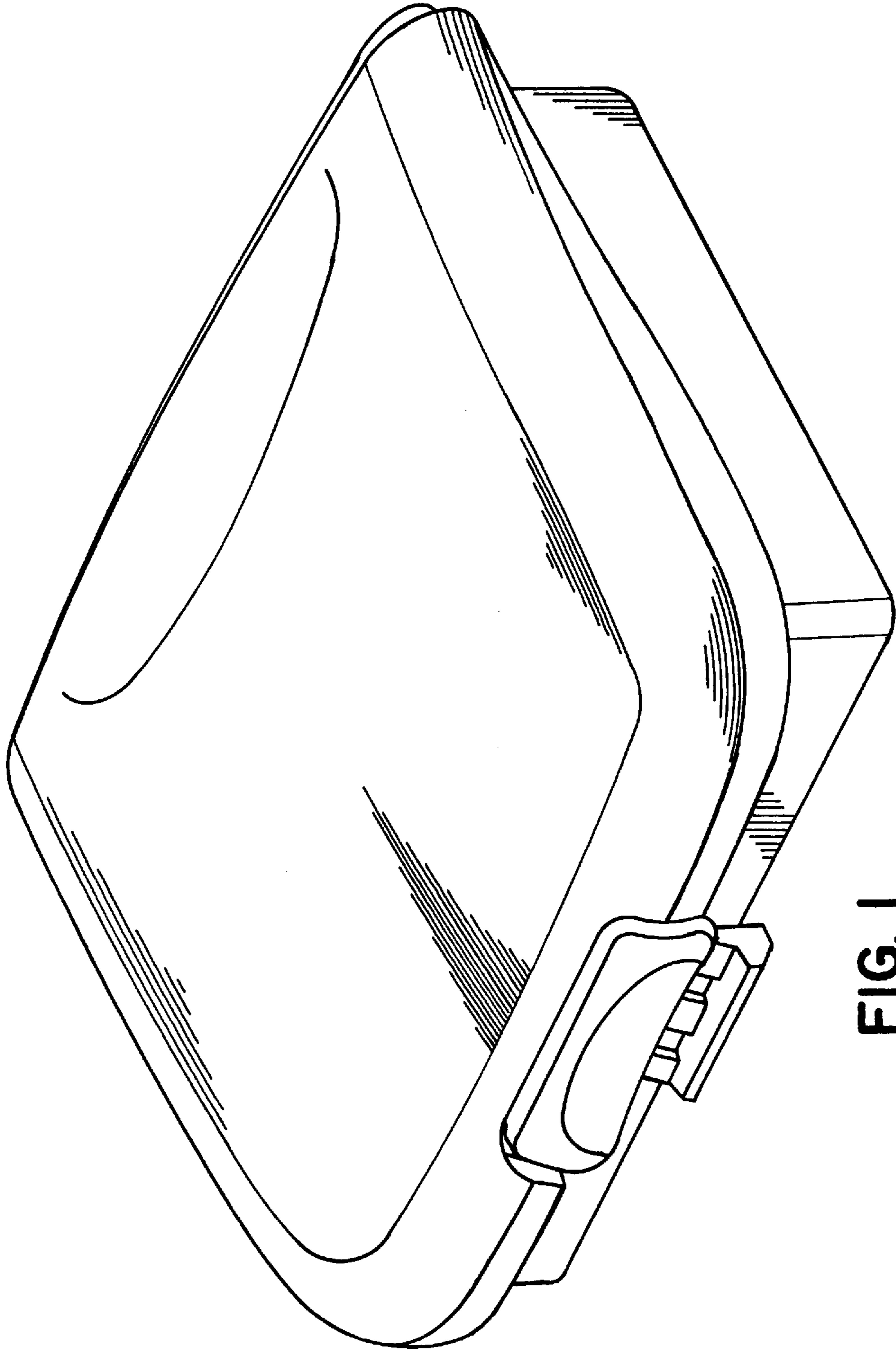


FIG. 1

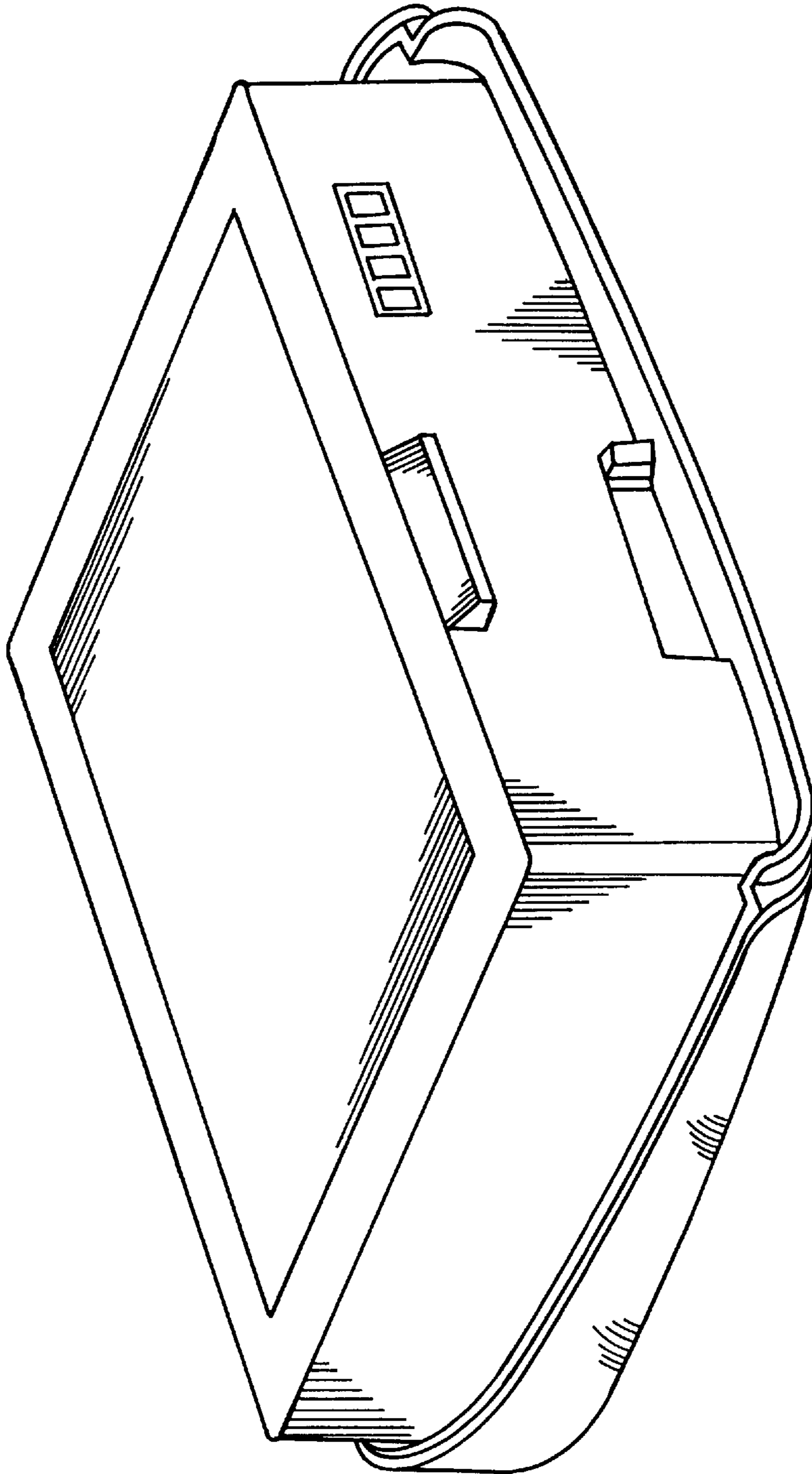


FIG. 2

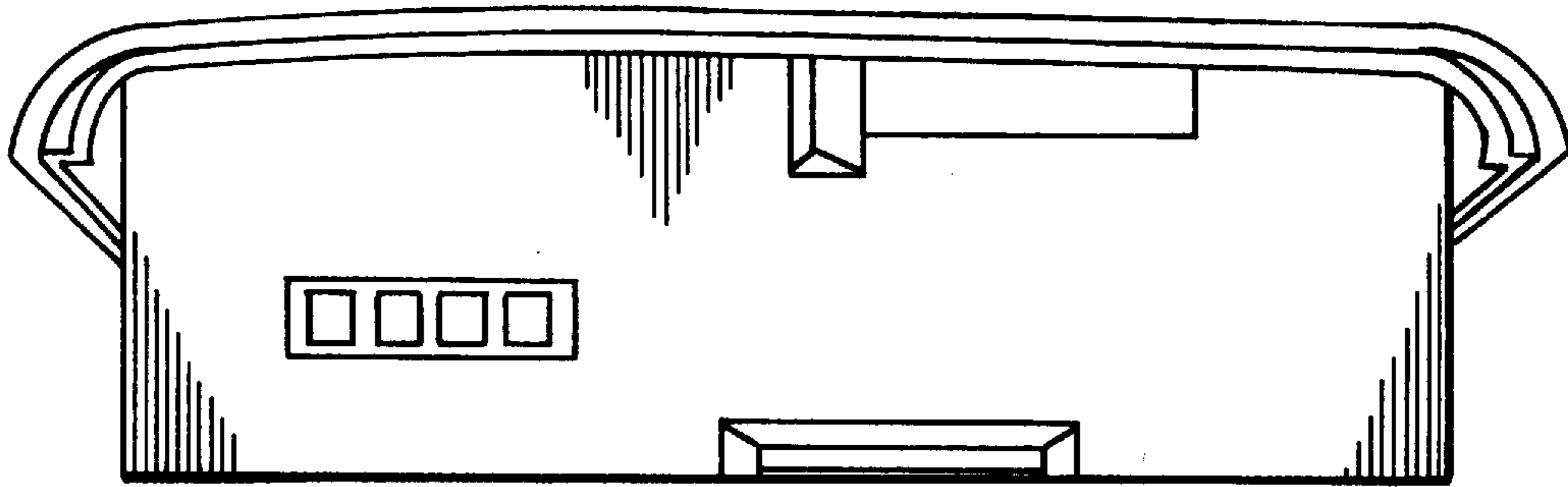


FIG. 3

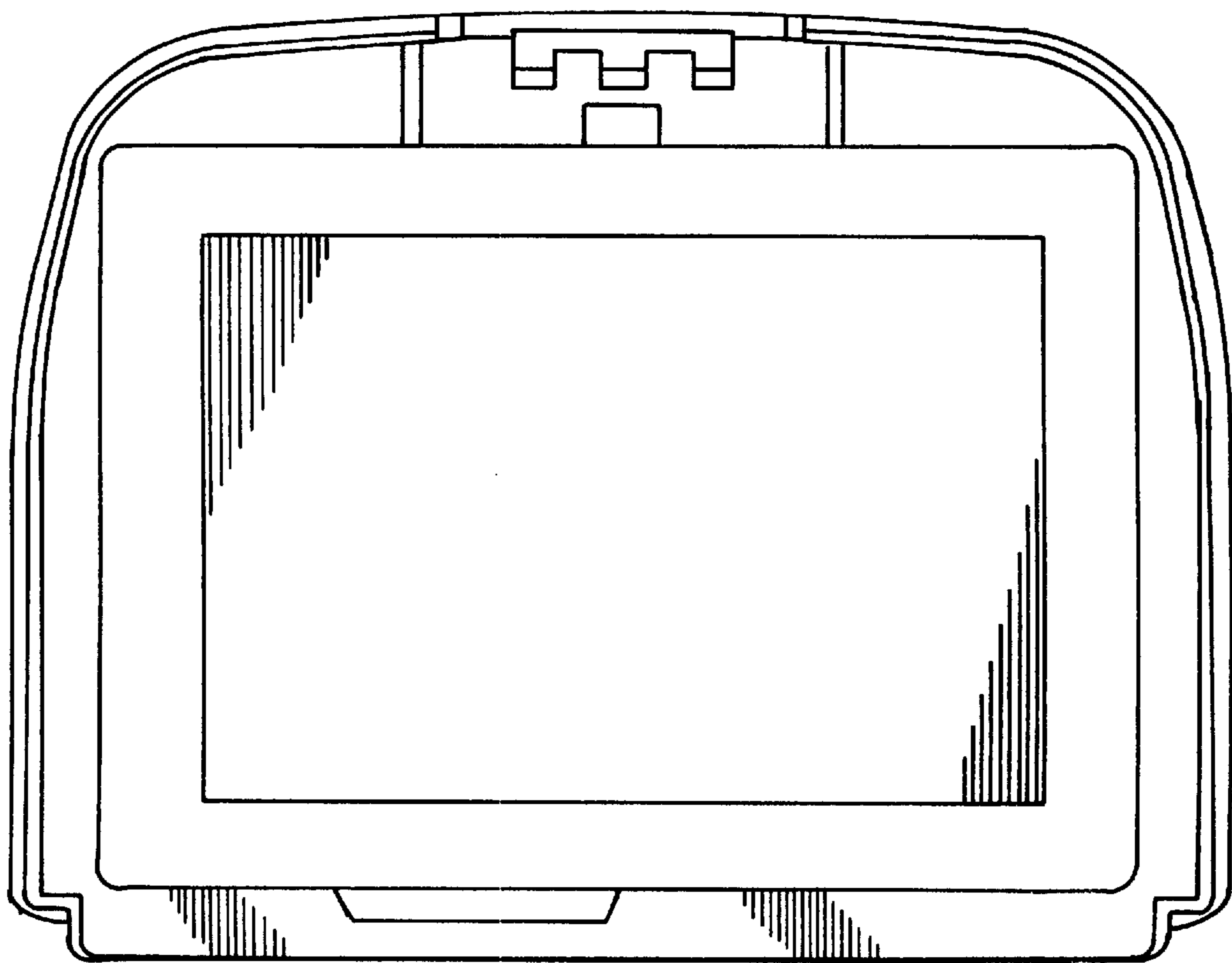


FIG. 8

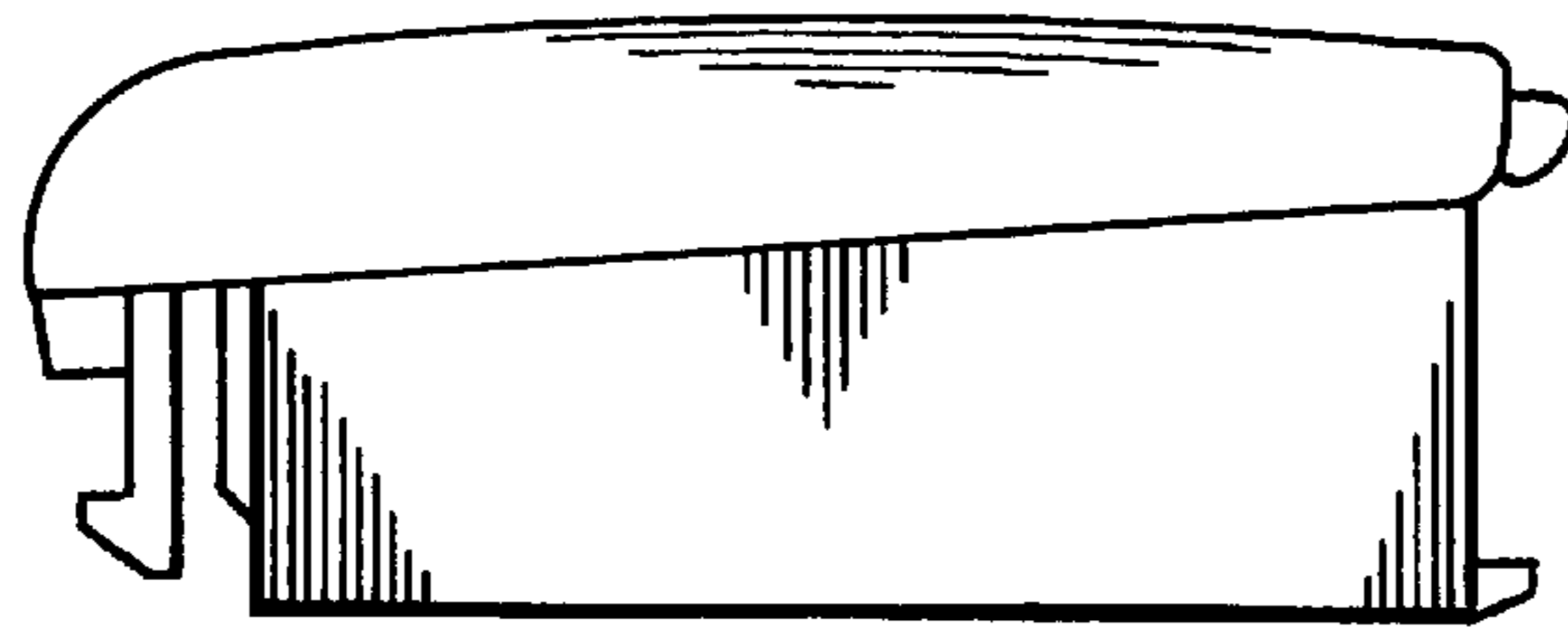


FIG. 4

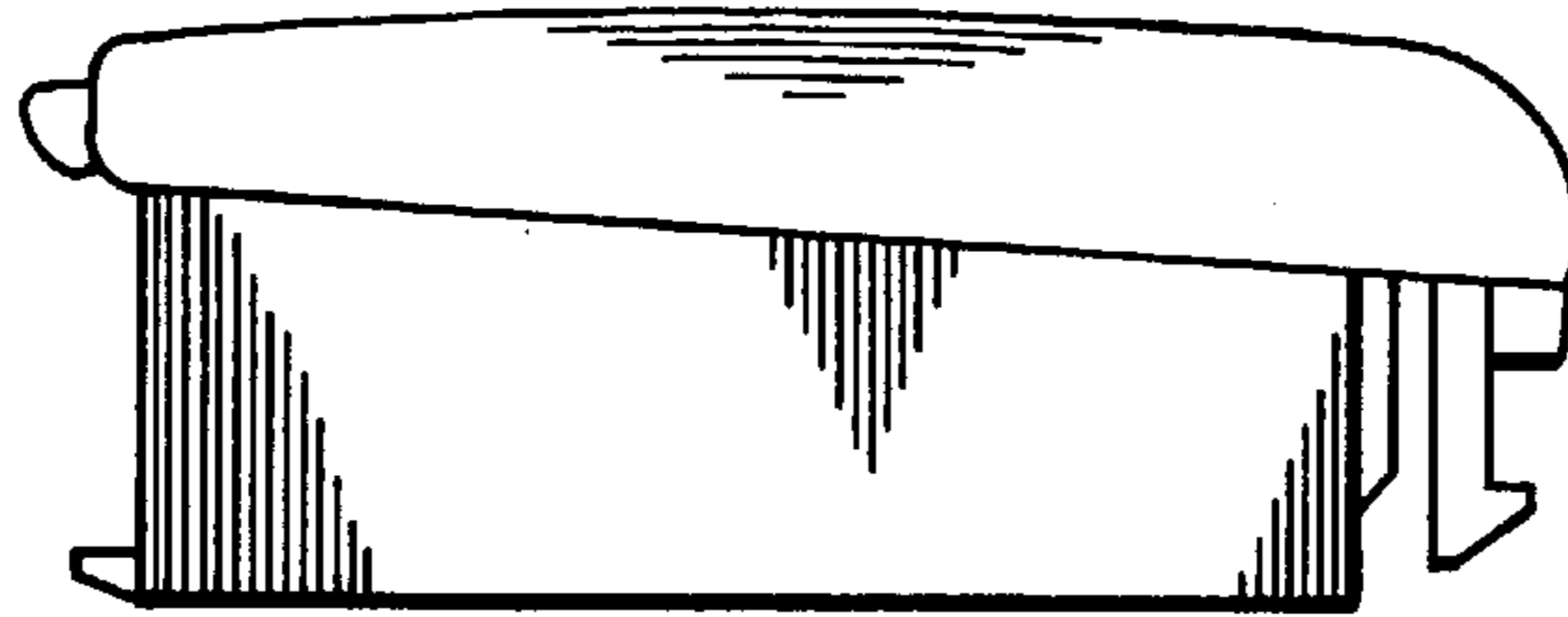


FIG. 5

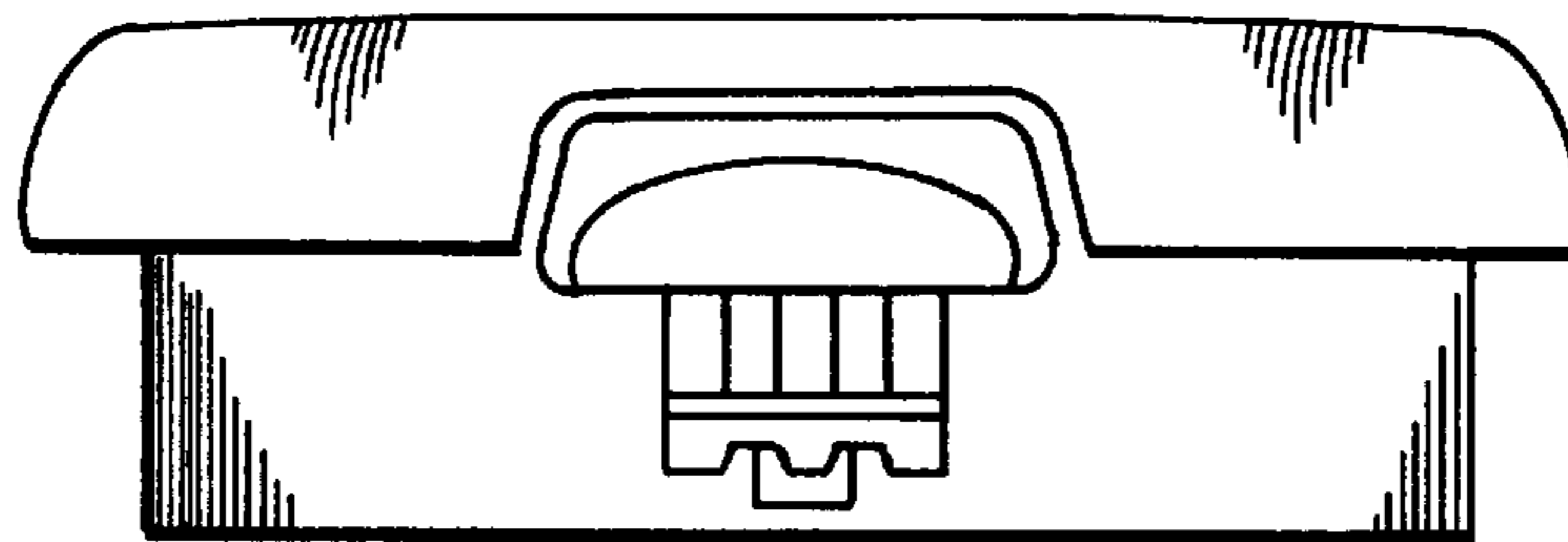


FIG. 6

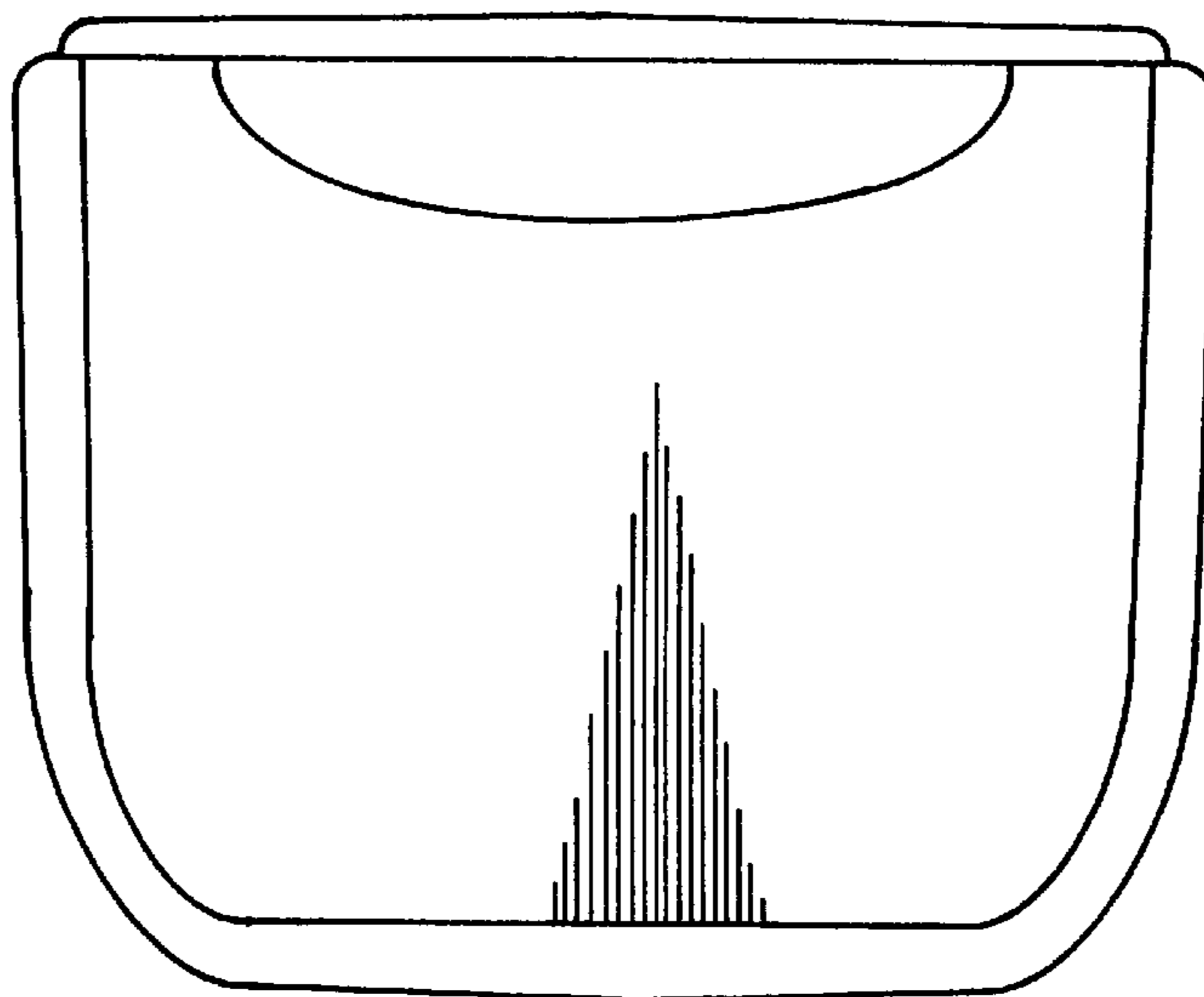


FIG. 7