



US00D403651S

United States Patent [19]

Reiter

[11] Patent Number: **Des. 403,651**

[45] Date of Patent: ****Jan. 5, 1999**

[54] **COMBINED TRUCK BED BOX AND FRAME**

[75] Inventor: **William P. Reiter**, Dickinson, N. Dak.

[73] Assignee: **Reiter Industries, Inc.**, Dickinson, N. Dak.

[**] Term: **14 Years**

[21] Appl. No.: **63,700**

[22] Filed: **Dec. 13, 1996**

[51] **LOC (6) Cl.** **12-06**

[52] **U.S. Cl.** **D12/221**

[58] **Field of Search** D12/221, 98, 15;
296/183, 39.1, 39.2

[56] **References Cited**

U.S. PATENT DOCUMENTS

D. 335,267	5/1993	Upshaw	D12/221
D. 371,535	7/1996	Young	D12/221
3,001,814	9/1961	Skalko	296/44
3,334,007	8/1967	Flagan	161/123
3,480,321	11/1969	Brandt et al.	296/28
3,578,375	5/1971	Finerock	296/39
3,712,675	1/1973	Schoenwald	298/10
3,827,753	8/1974	Pitts	298/1 B
4,029,354	6/1977	Valeri	296/39.1
4,623,187	11/1986	Ibrahim	D12/221
4,909,559	3/1990	Zettle	296/41
5,076,636	12/1991	Buck et al.	296/180.1

5,154,463	10/1992	Hershey	293/128
5,313,907	5/1994	Hodges	114/290
5,316,701	5/1994	Payne	264/1.5
5,435,627	7/1995	Fleming	298/17 R
5,482,356	1/1996	Goodson, Jr.	298/22 AE

OTHER PUBLICATIONS

Mark Phillips, "Plastic Growth in Autos Steadies", *Recycling Today*, 40-42, 44-45, 129-130 (1996).
"Watertight" PolyBox/Poly Tank, *WasteCo Manufacturing*, Brochure, 2 pgs. ©1994.

Primary Examiner—Melody N. Brown
Attorney, Agent, or Firm—Mueting, Raasch & Gebhardt, P.A.

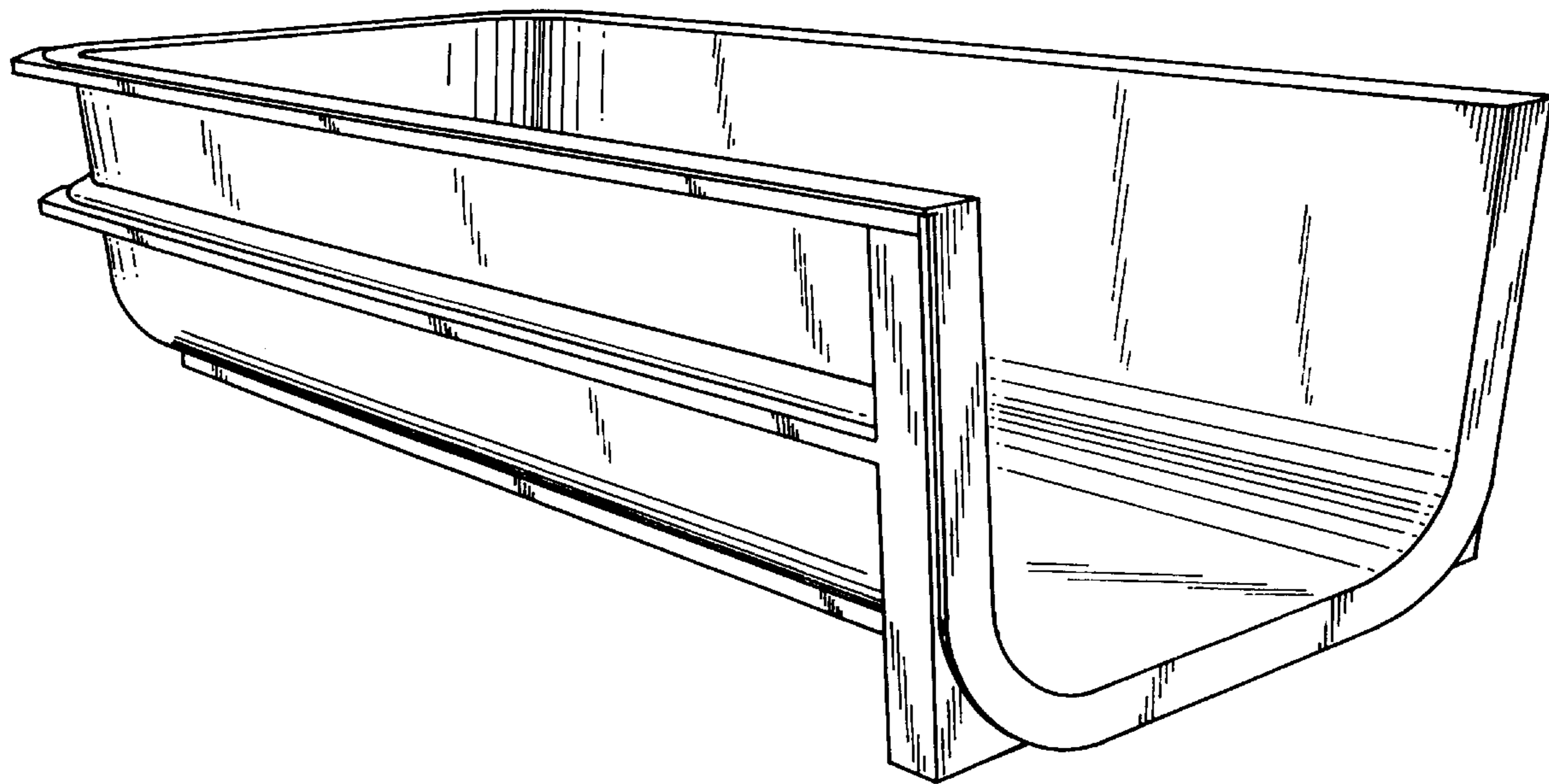
[57] **CLAIM**

The ornamental design for a combined truck bed box and frame, as shown and described.

DESCRIPTION

FIG. 1 is a perspective view of a combined truck bed box and frame showing my new design; FIG. 2 is a top plan view thereof; FIG. 3 is a front end view thereof; FIG. 4 is a right side view thereof; FIG. 5 is a left side view thereof; FIG. 6 is a rear end view thereof; and, FIG. 7 is a bottom plan view thereof.

1 Claim, 5 Drawing Sheets



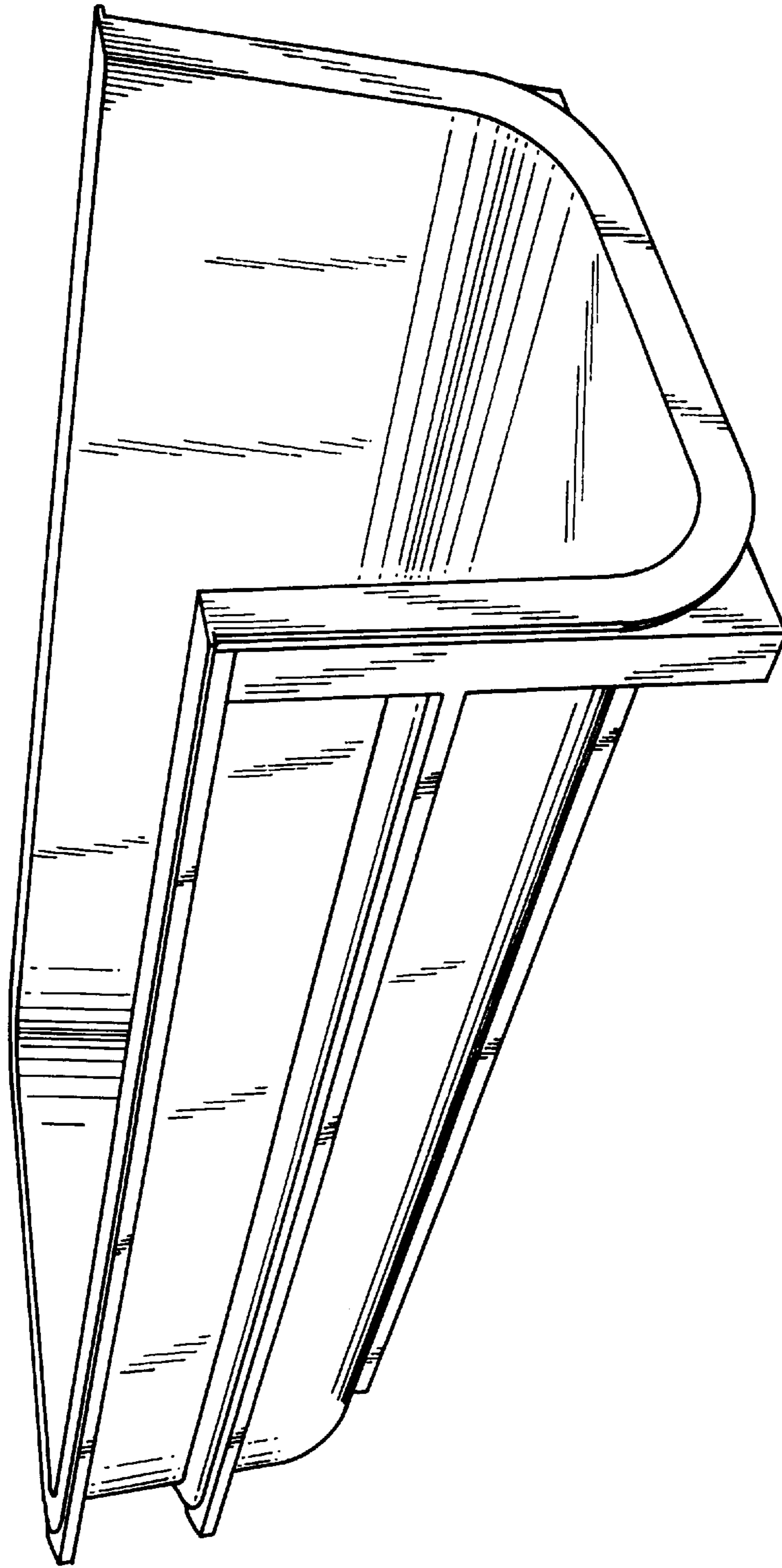
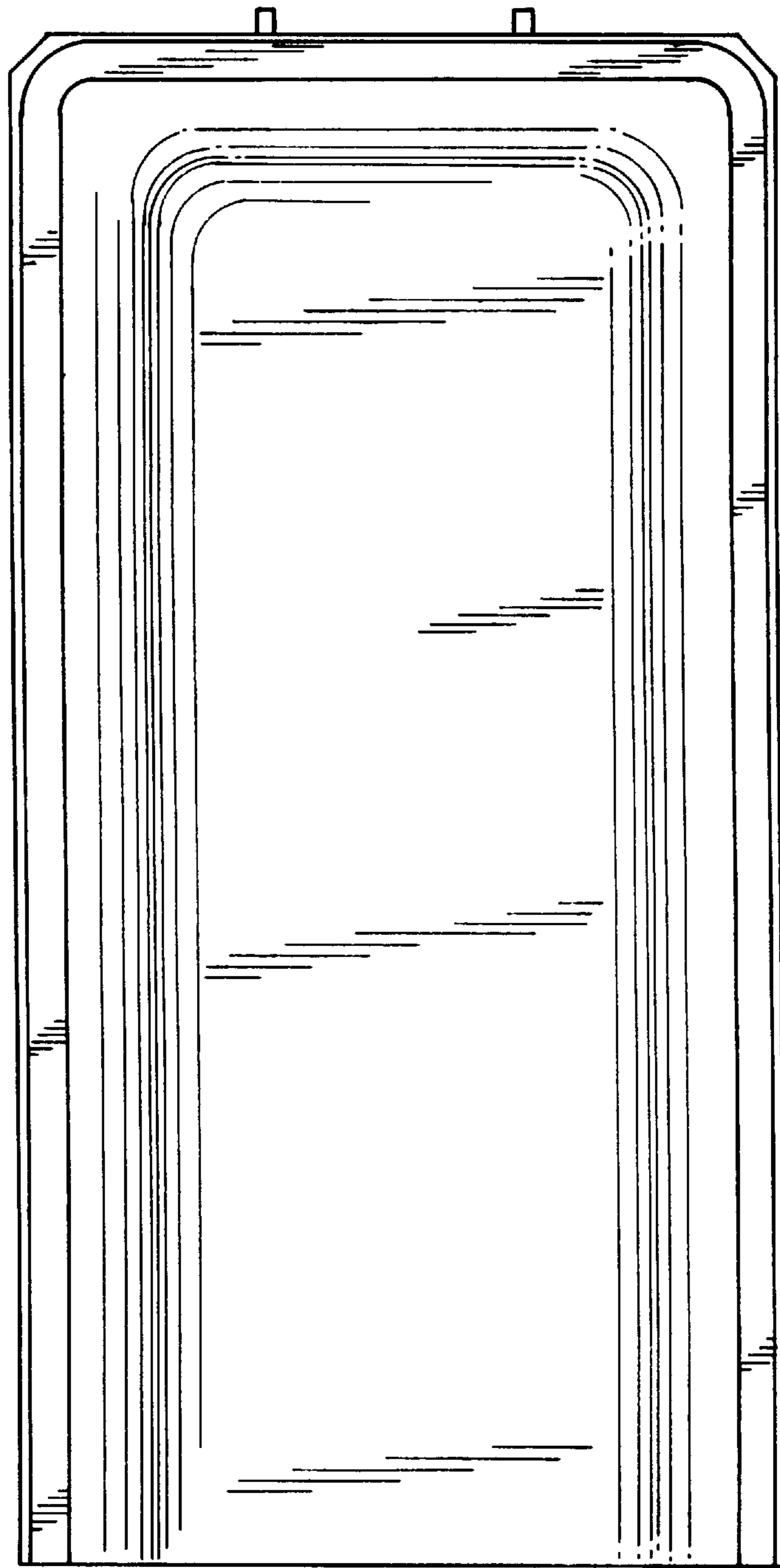


Fig. 1

Fig. 2



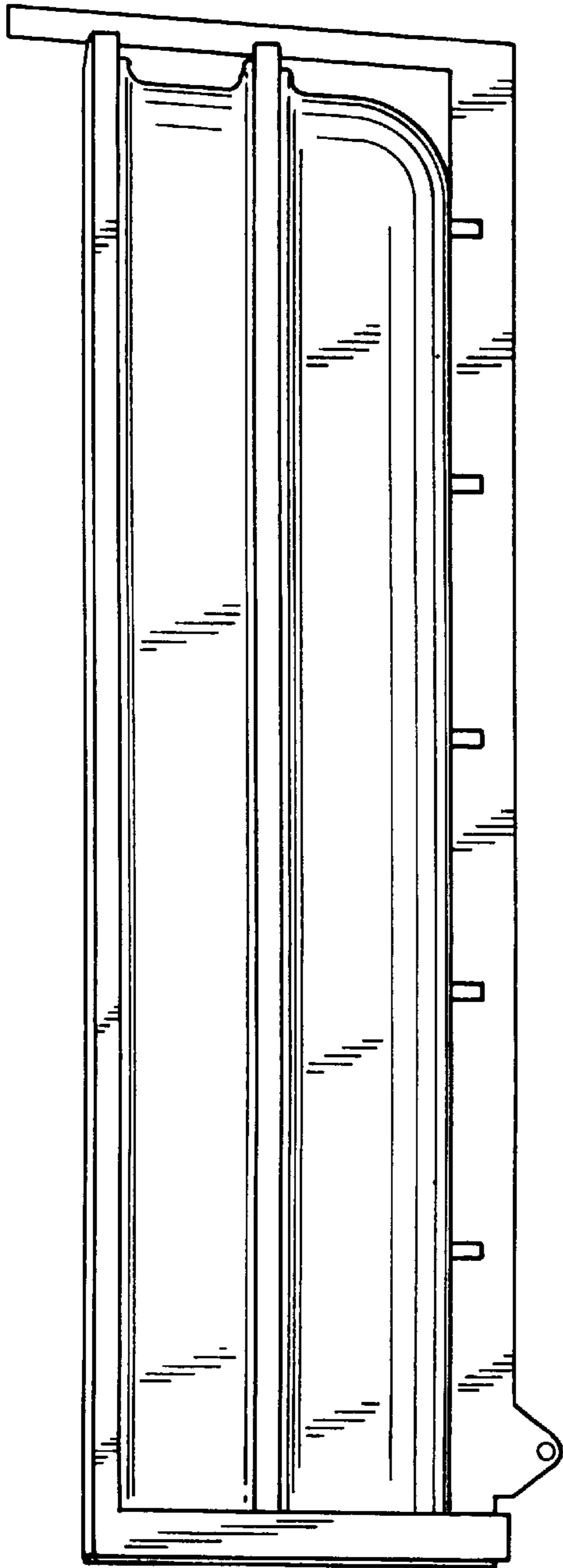


Fig. 4

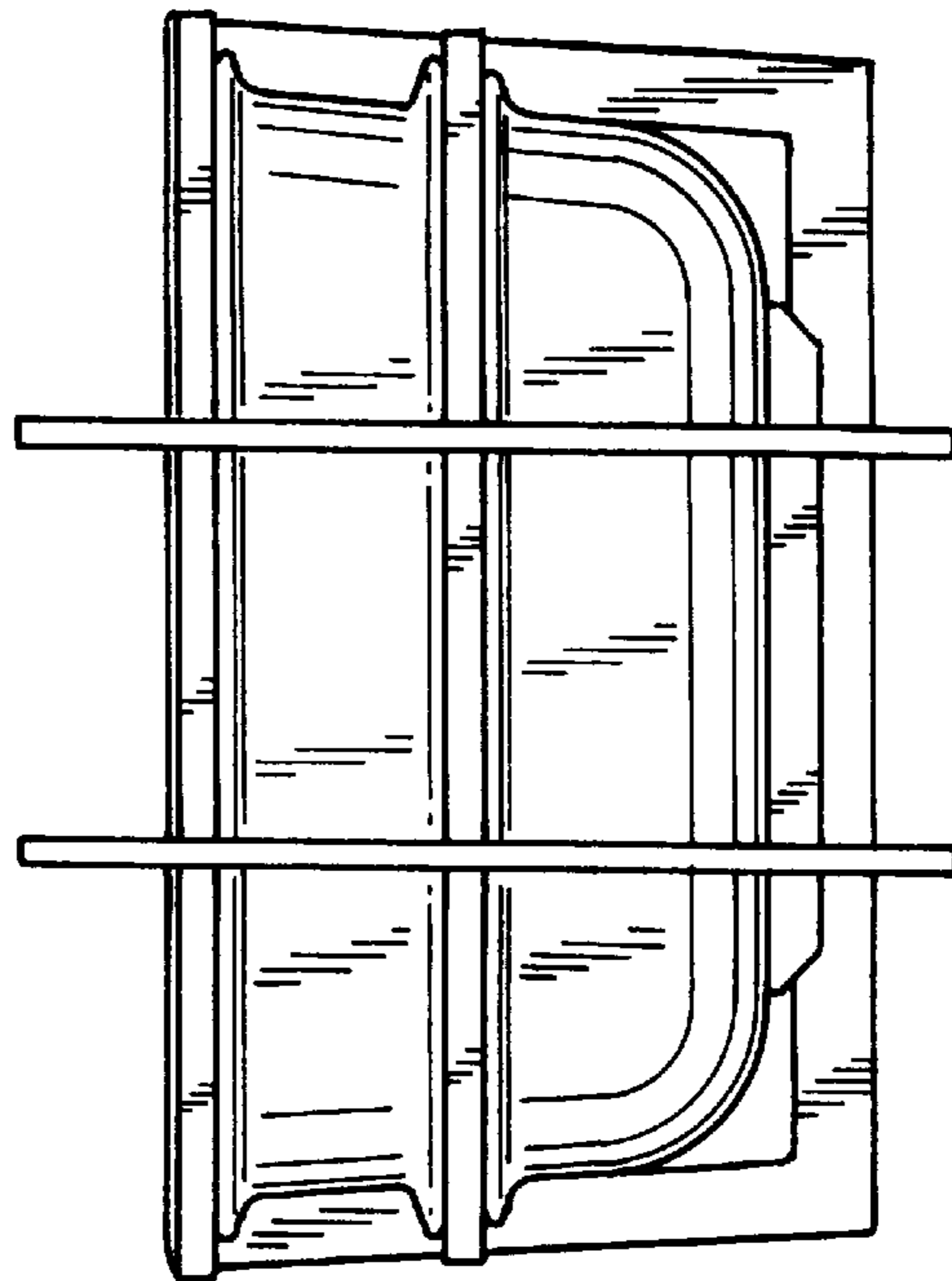


Fig. 3

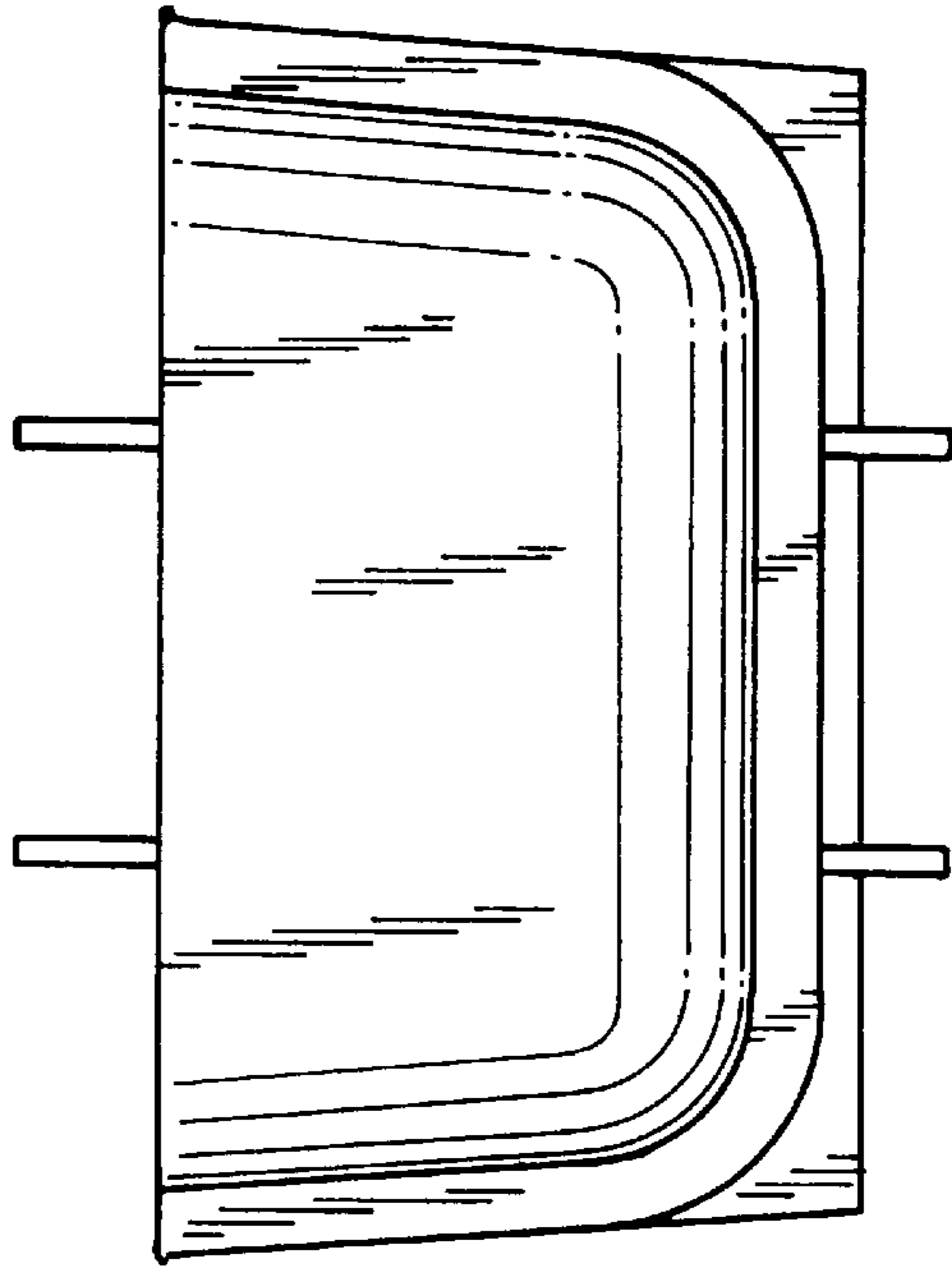


Fig. 6

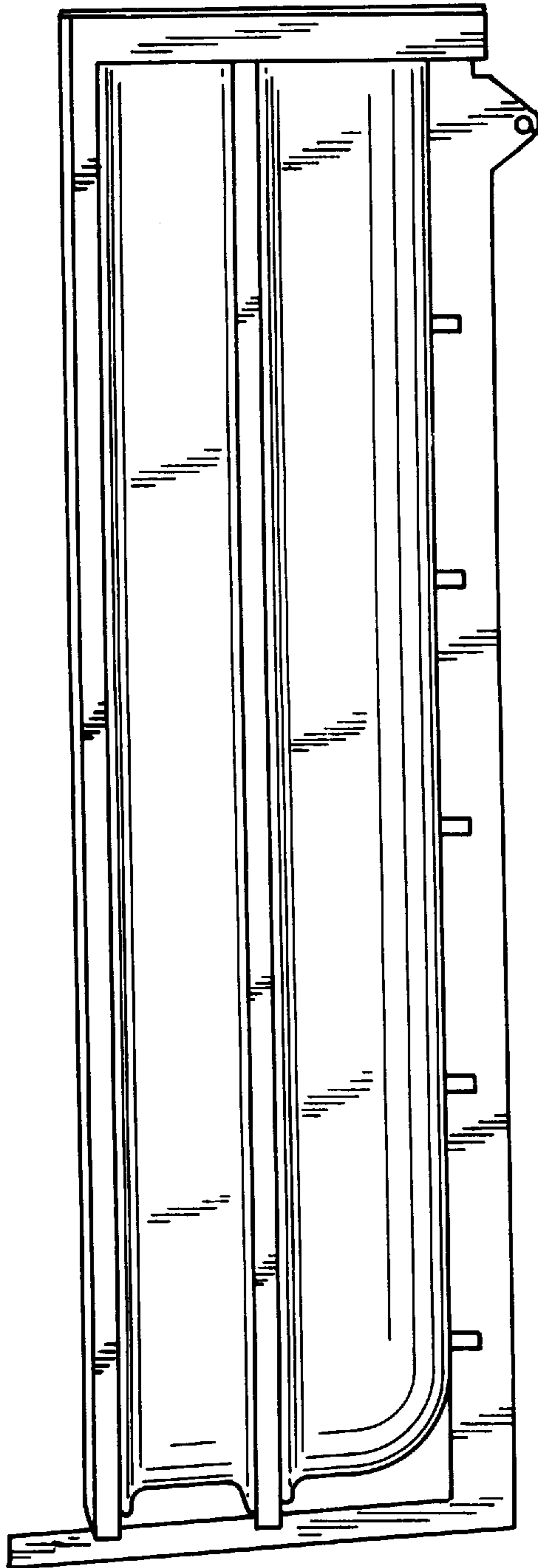


Fig. 5

Fig. 7

