



US00D403642S

United States Patent [19]
Acord

[11] **Patent Number:** **Des. 403,642**
[45] **Date of Patent:** ****Jan. 5, 1999**

[54] **COLLAPSIBLE OIL FILLER CAP**

[57] **CLAIM**

[76] Inventor: **Charles W. Acord**, 2190 Oak Dr.,
Minster, Ohio 45865

The ornamental design for a collapsible oil filler cap, as shown.

[**] Term: **14 Years**

DESCRIPTION

[21] Appl. No.: **37,904**

FIG. 1 is a perspective view of a collapsible oil filler cap showing my new design;

[22] Filed: **Apr. 24, 1995**

FIG. 2 is a right side view thereof with the lid secured;

[51] **LOC (6) Cl.** **12-16**

[52] **U.S. Cl.** **D12/197; D12/317**

[58] **Field of Search** **D12/197, 317;**
220/86.1, 86.2, 203.04, 203.05, 203.19,
210, 288, DIG. 32, DIG. 33; 141/98, 331,
337, 338

FIG. 3 is a right side view thereof in the collapsed state;

FIG. 4 is a left side view thereof;

FIG. 5 is a left side view thereof in the collapsed state with the lid secured;

FIG. 6 is a rear view thereof;

FIG. 7 is a rear view thereof in the collapsed state with the lid secured;

FIG. 8 is a front side view thereof;

FIG. 9 is a front view thereof in the collapsed state with the lid secured;

[56] **References Cited**

U.S. PATENT DOCUMENTS

D. 300,129	3/1989	Whitley, II	D12/197
4,058,995	11/1977	Greaves	141/337 X
4,112,984	9/1978	Guglia et al.	141/98
5,033,521	7/1991	Martin	141/337
5,188,157	2/1993	Lee	141/338
5,535,793	7/1996	Tantre	141/337

FIG. 10 is a top view thereof;

FIG. 11 is a bottom view thereof;

FIG. 12 is a front view of an alternate embodiment in extended state with the lid secured;

FIG. 13 is a rear view thereof;

FIG. 14 is a right side view thereof;

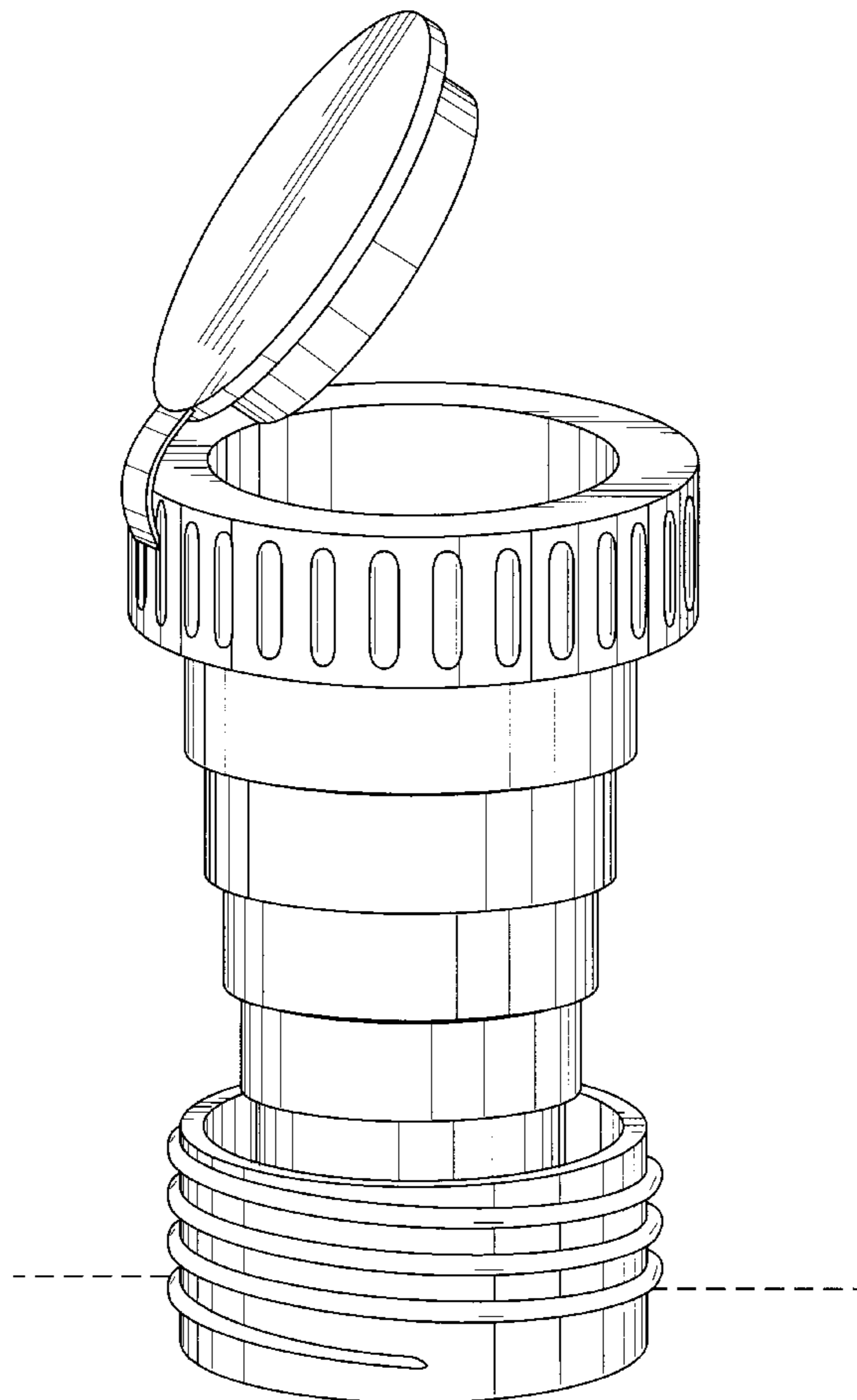
FIG. 15 is a left side view thereof;

FIG. 16 is a top view thereof; and,

FIG. 17 is a bottom view thereof.

Primary Examiner—Alan P. Douglas
Assistant Examiner—Lavone D. Tabor
Attorney, Agent, or Firm—Harold H. Dutton, Jr.

1 Claim, 9 Drawing Sheets



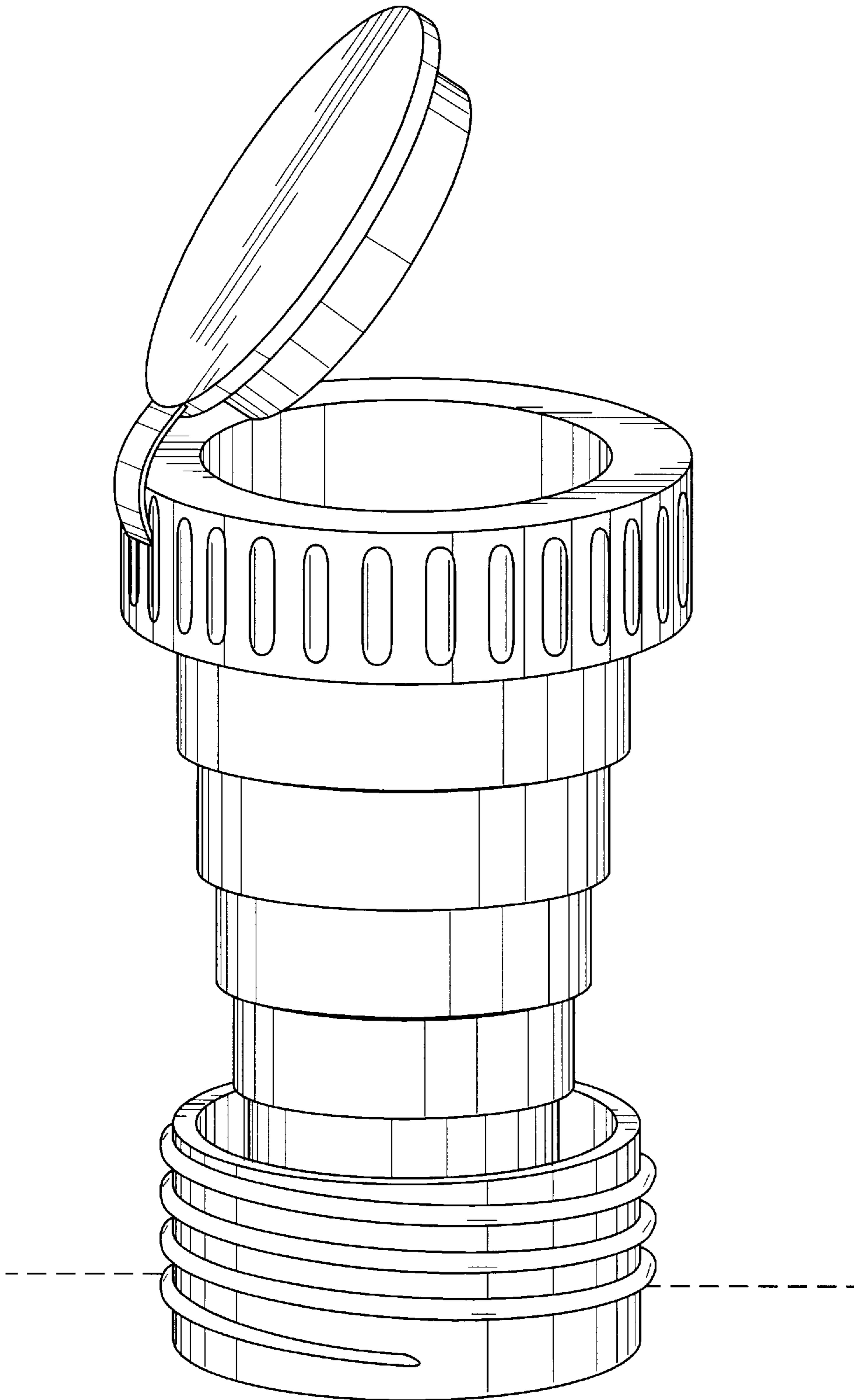


FIG. 1

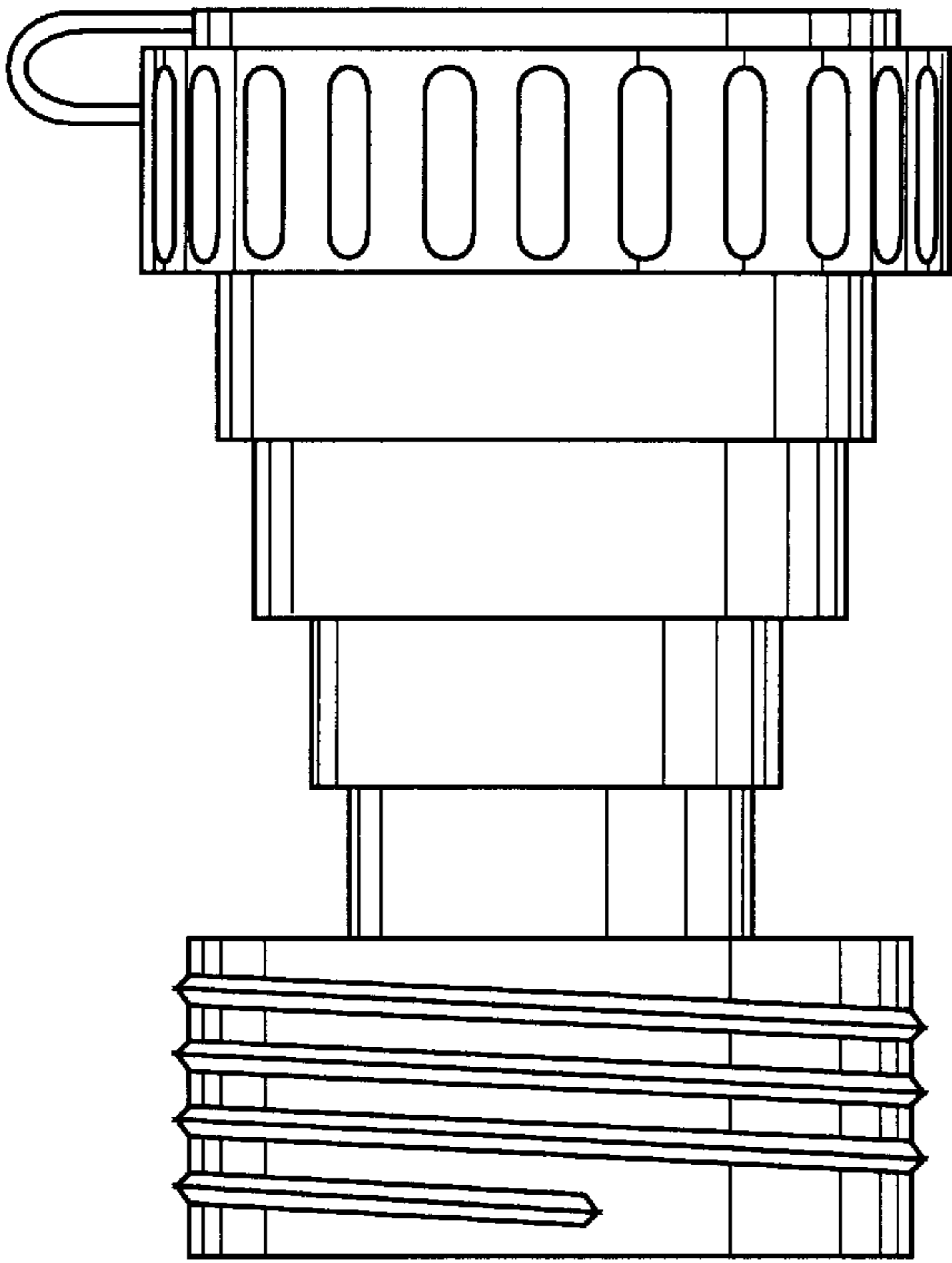


FIG. 2

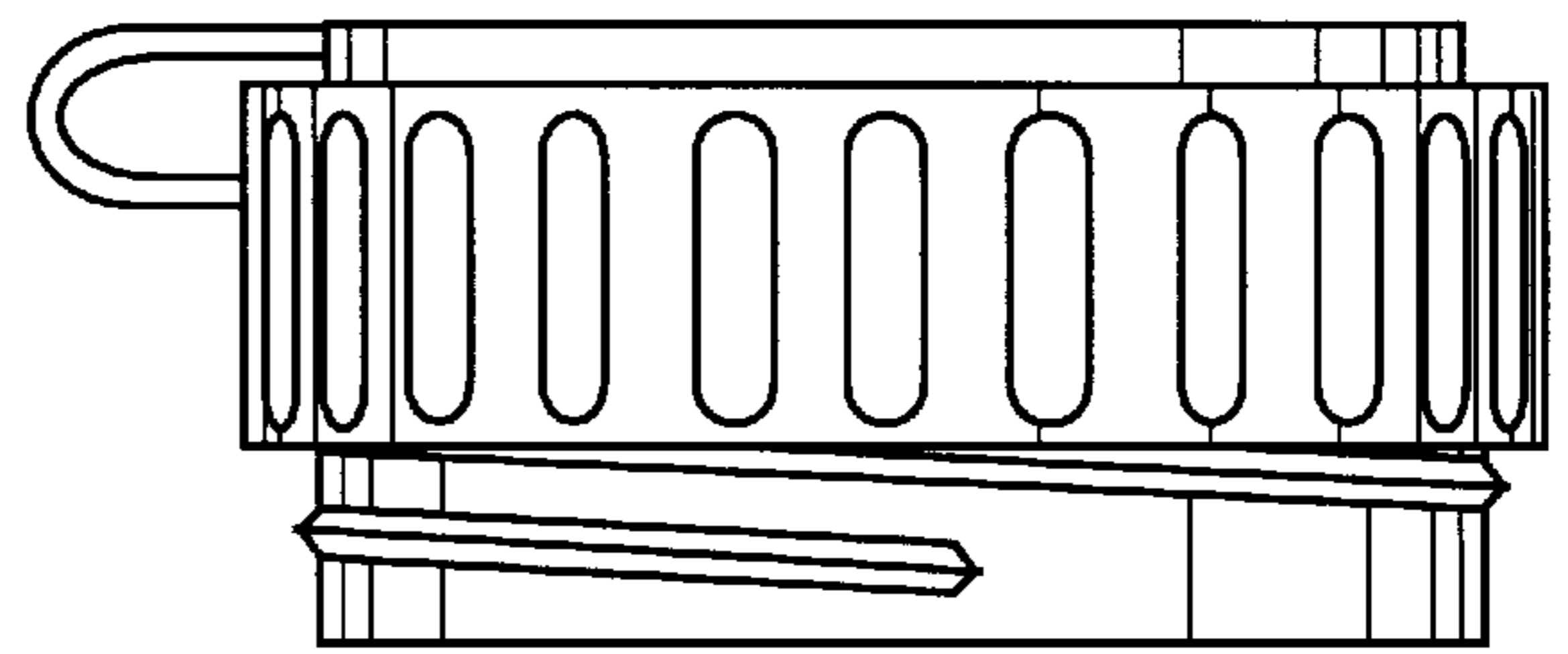


FIG. 3

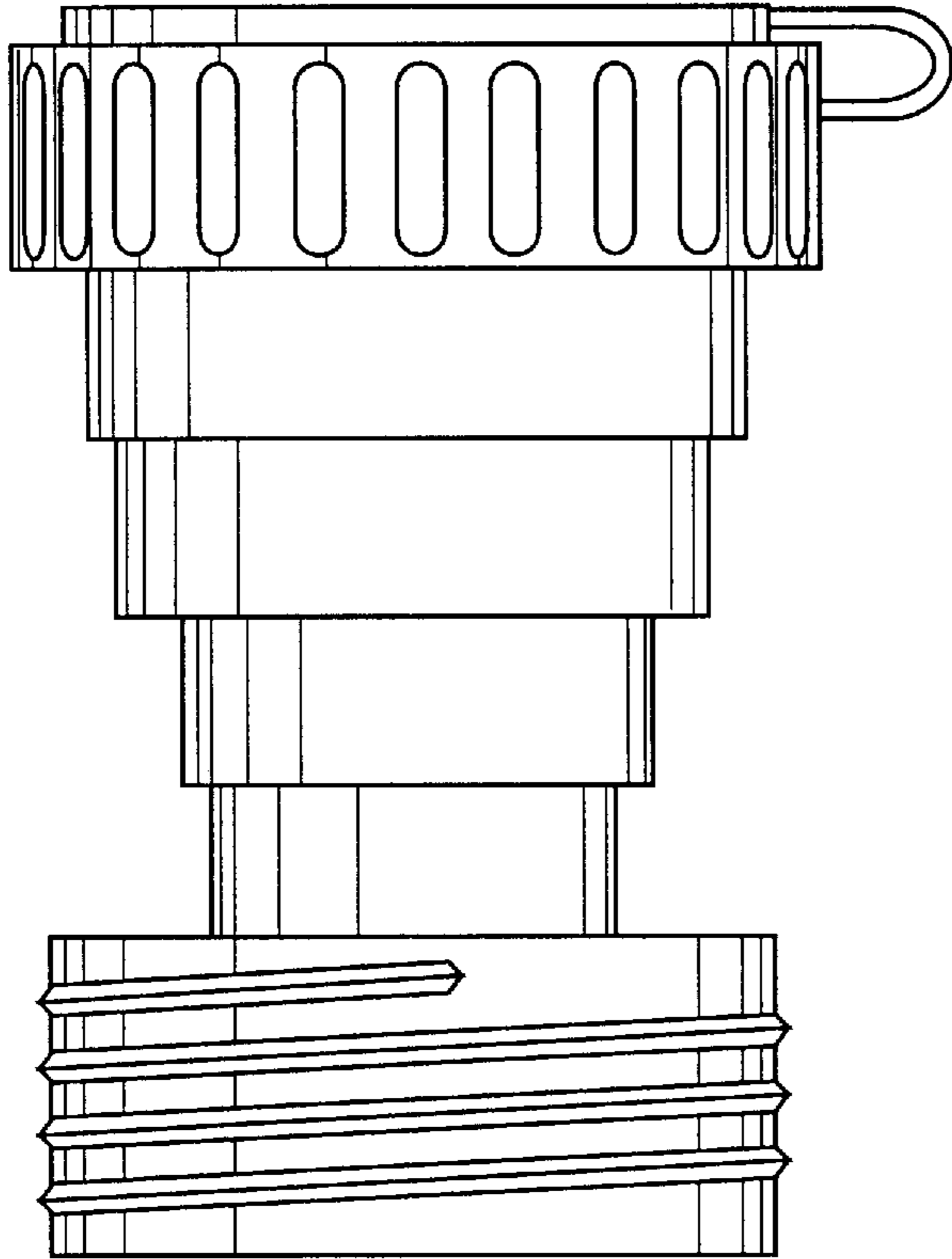
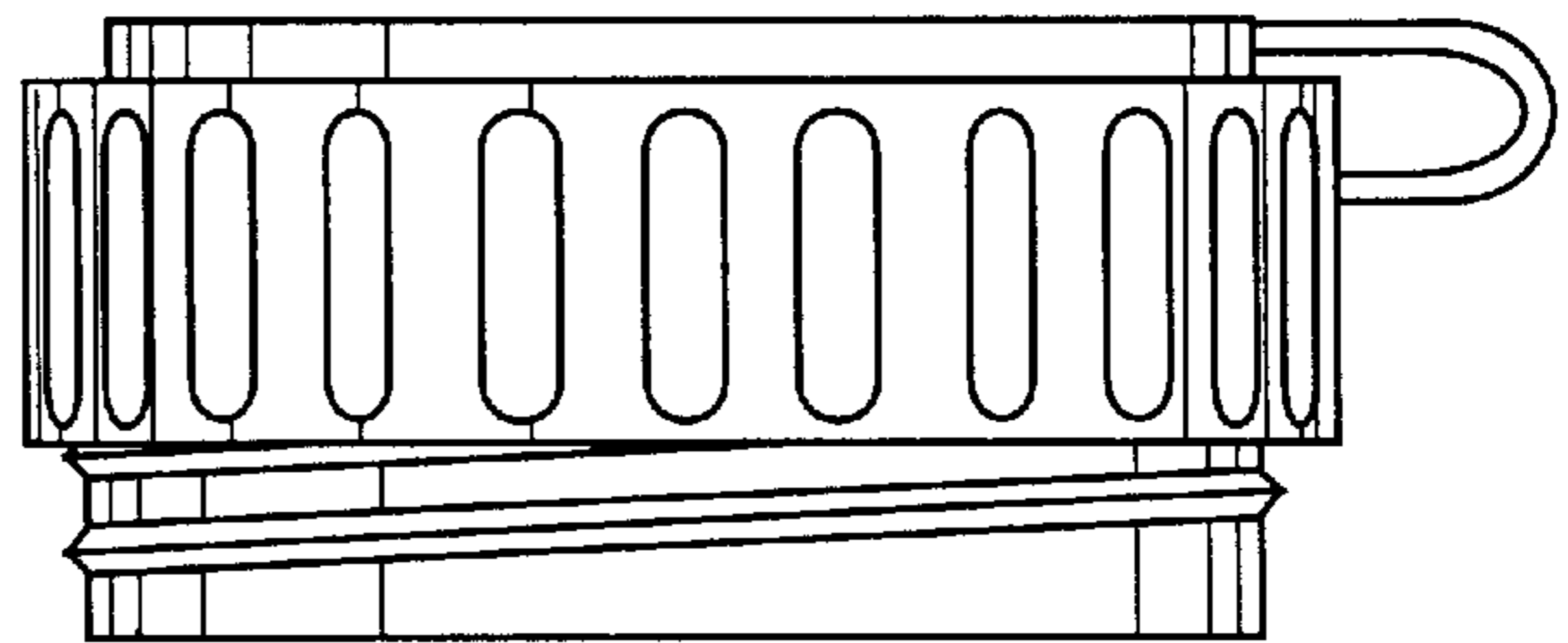


FIG. 4

FIG. 5



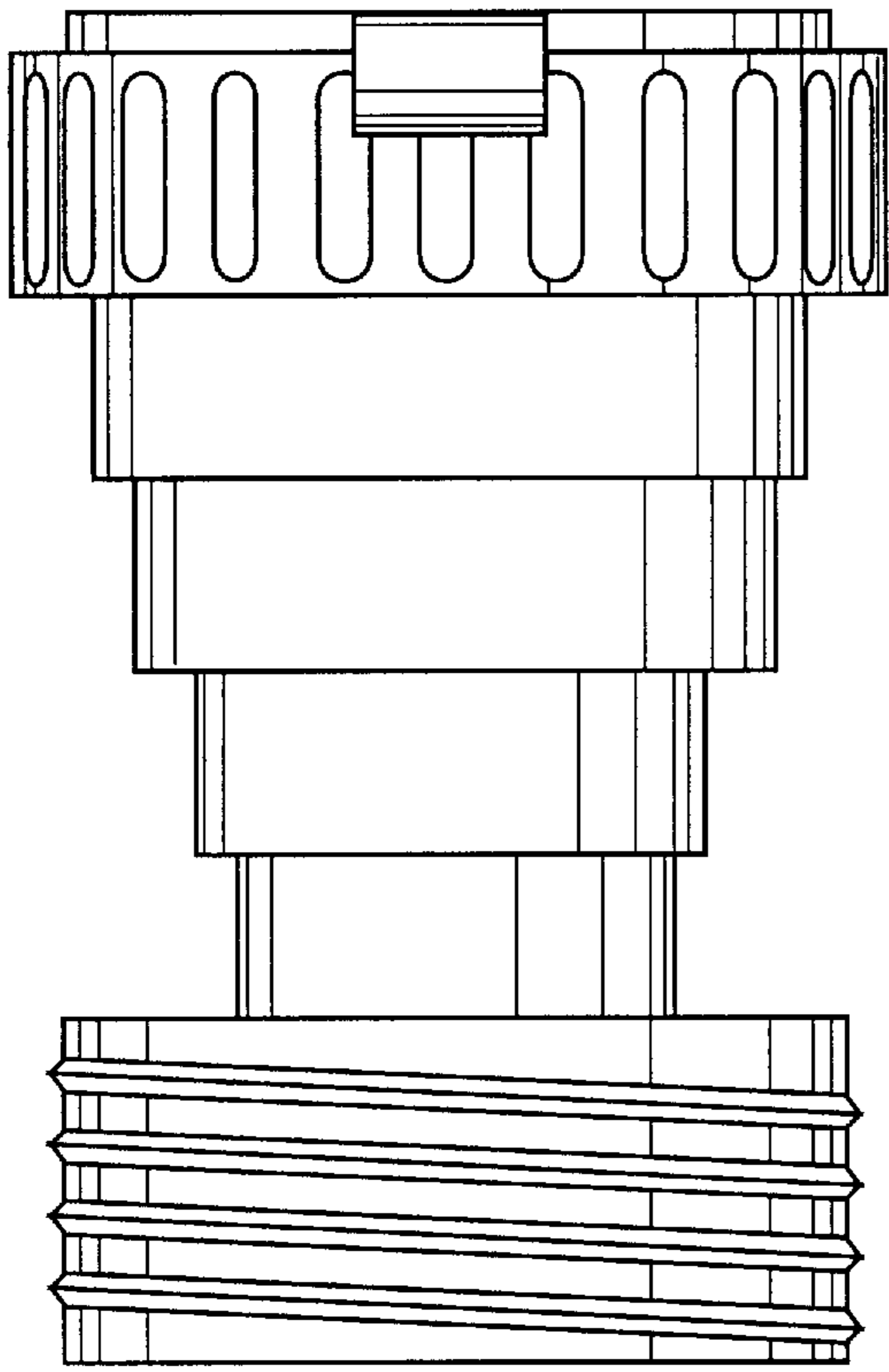
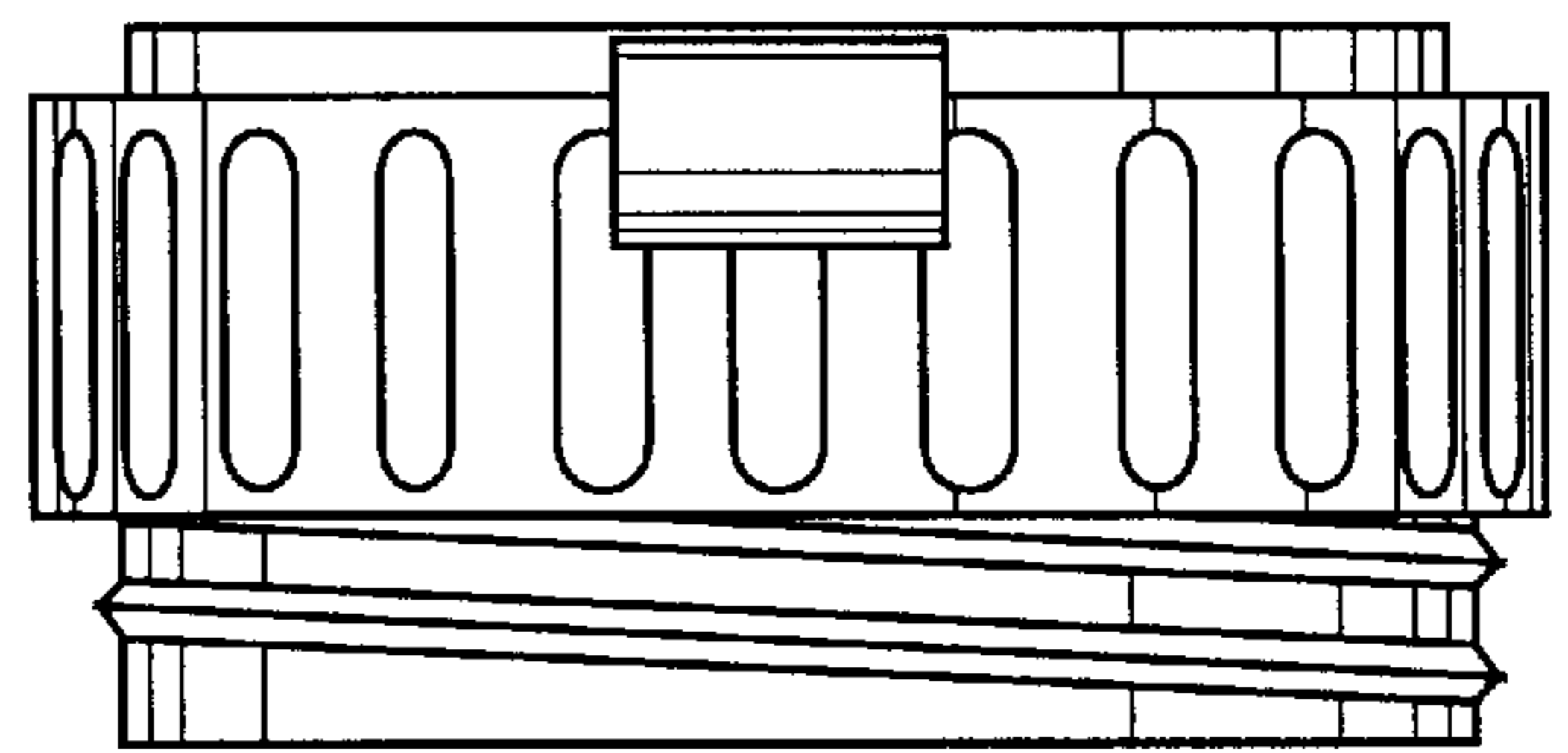


FIG. 7

FIG. 6



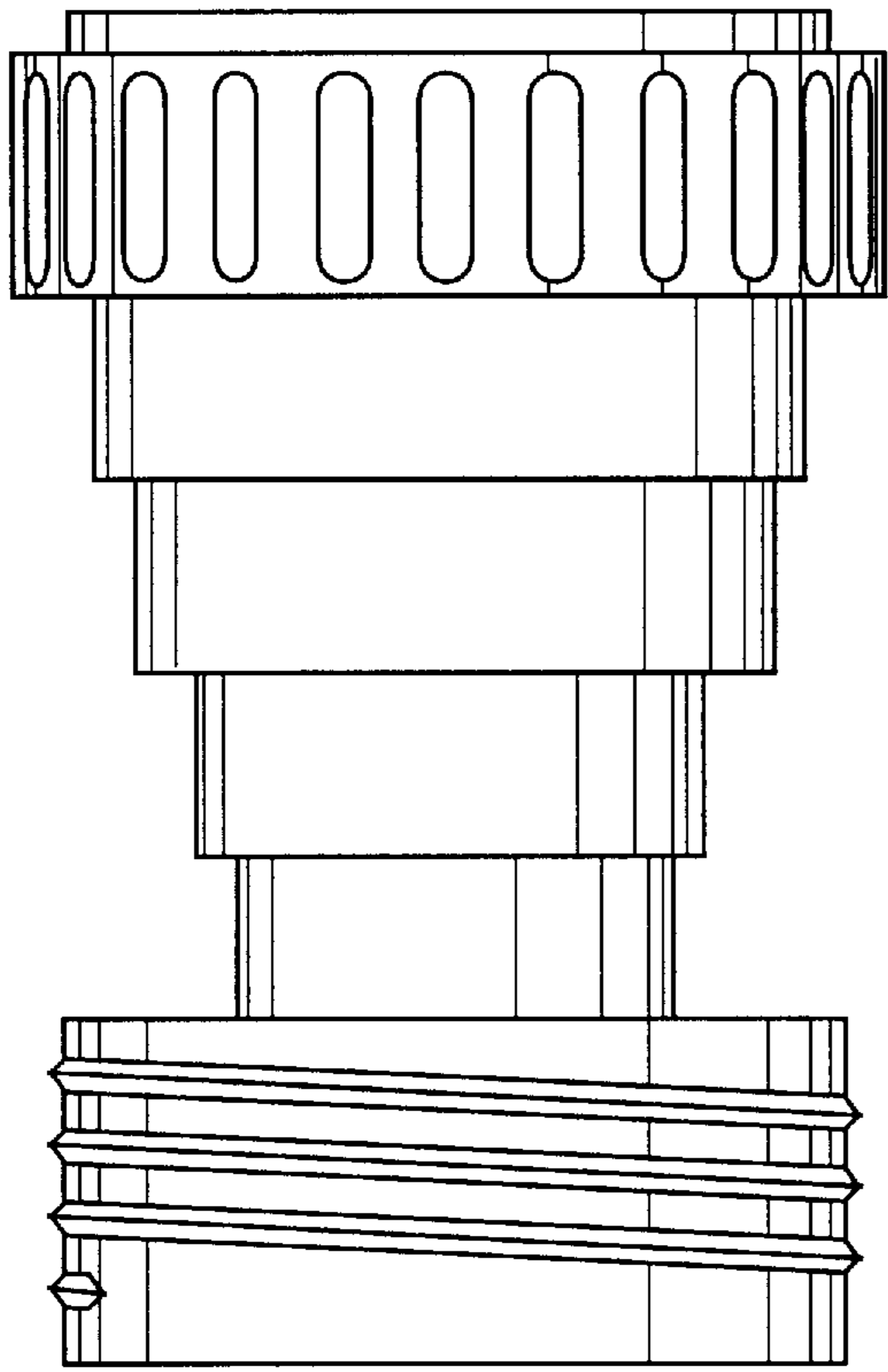
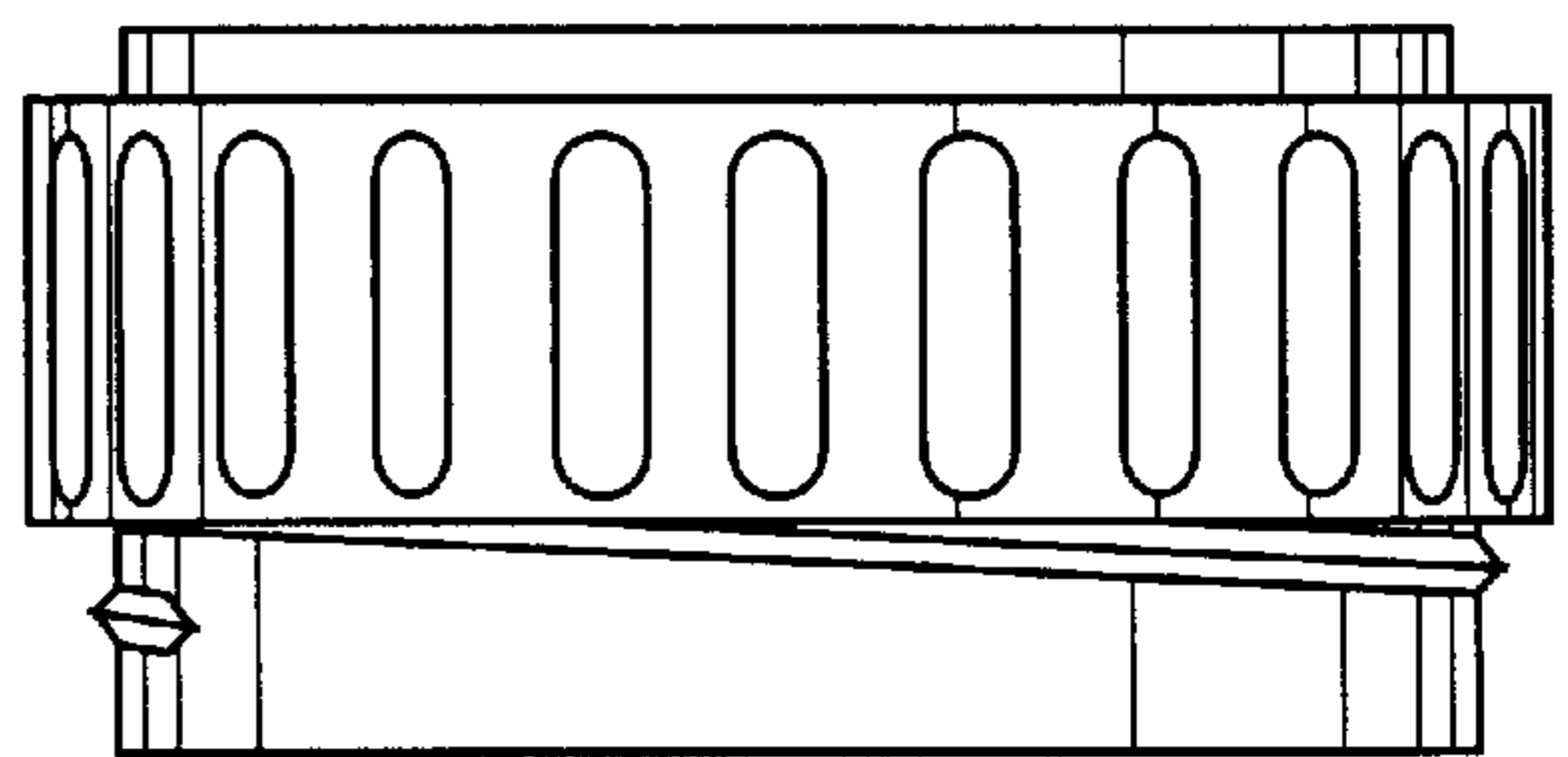


FIG. 8

FIG. 9



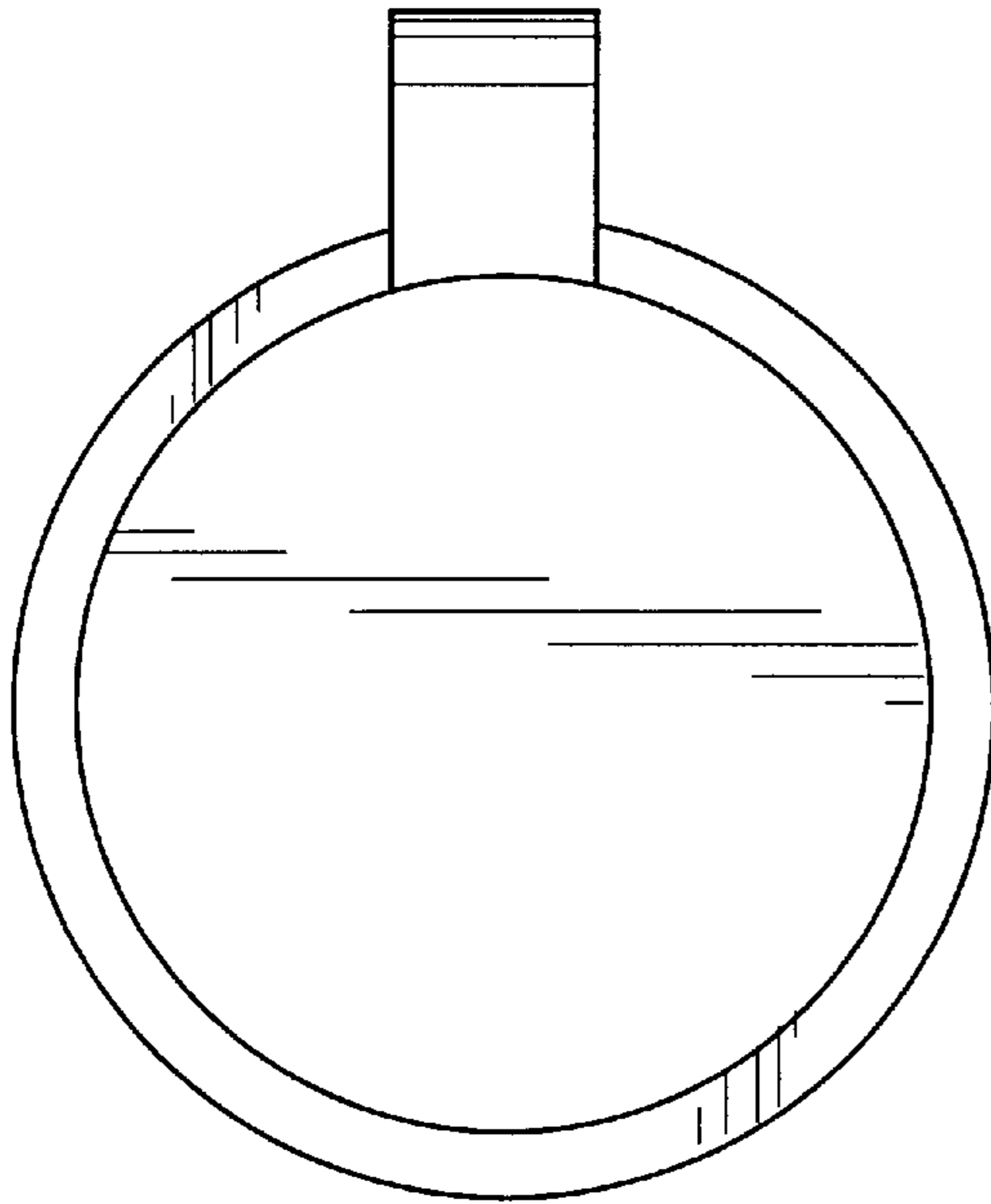


FIG. 10

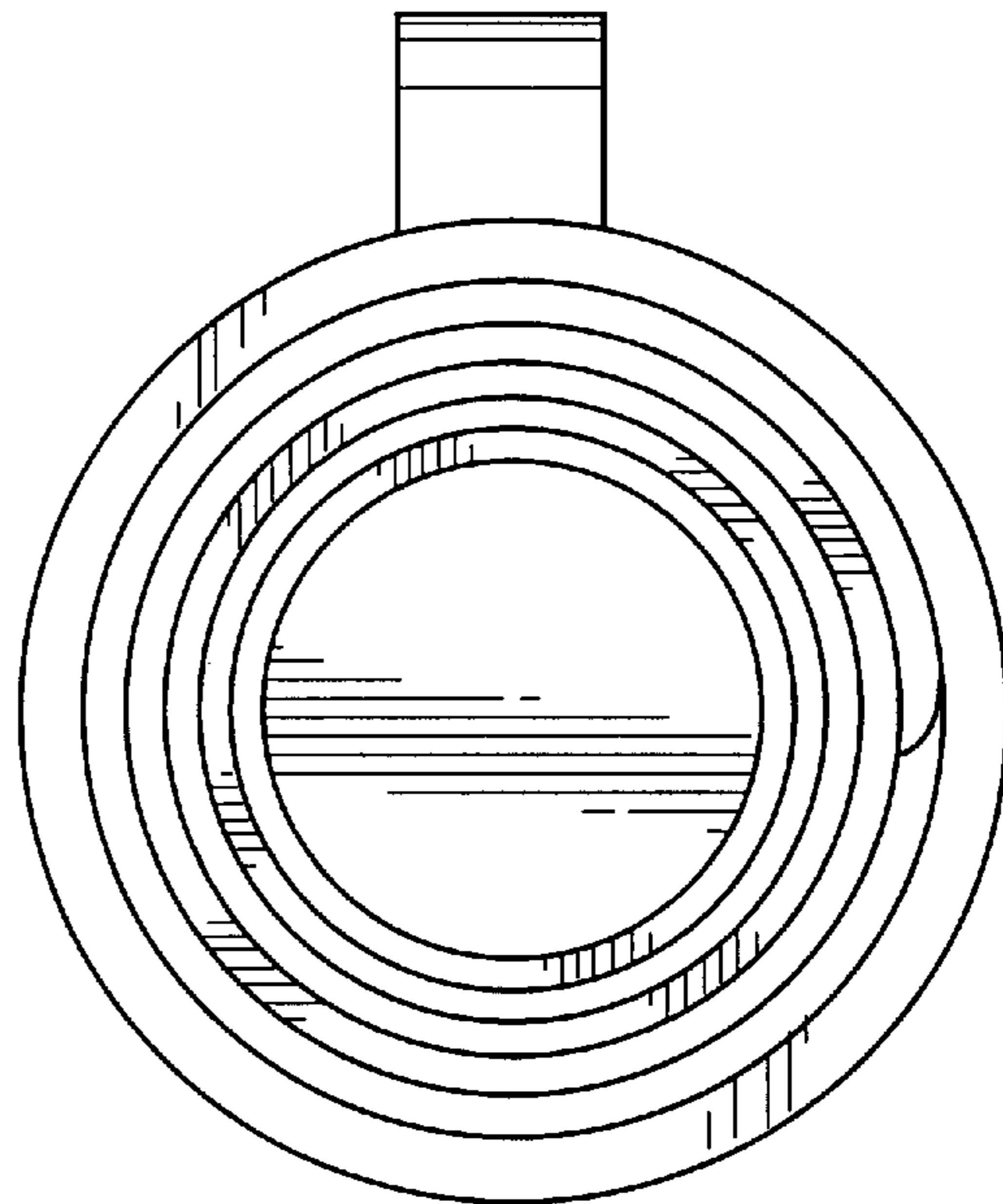


FIG. 11

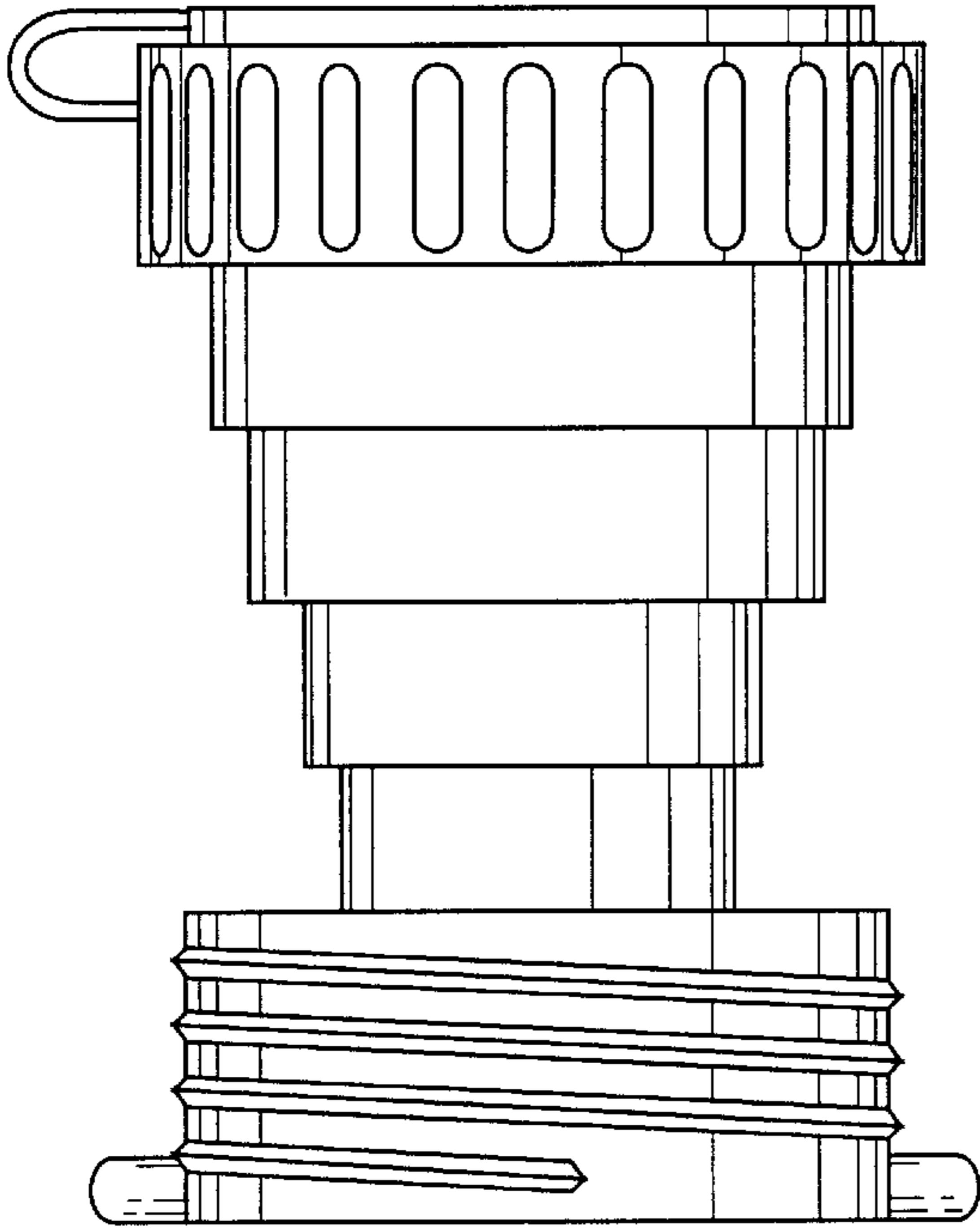
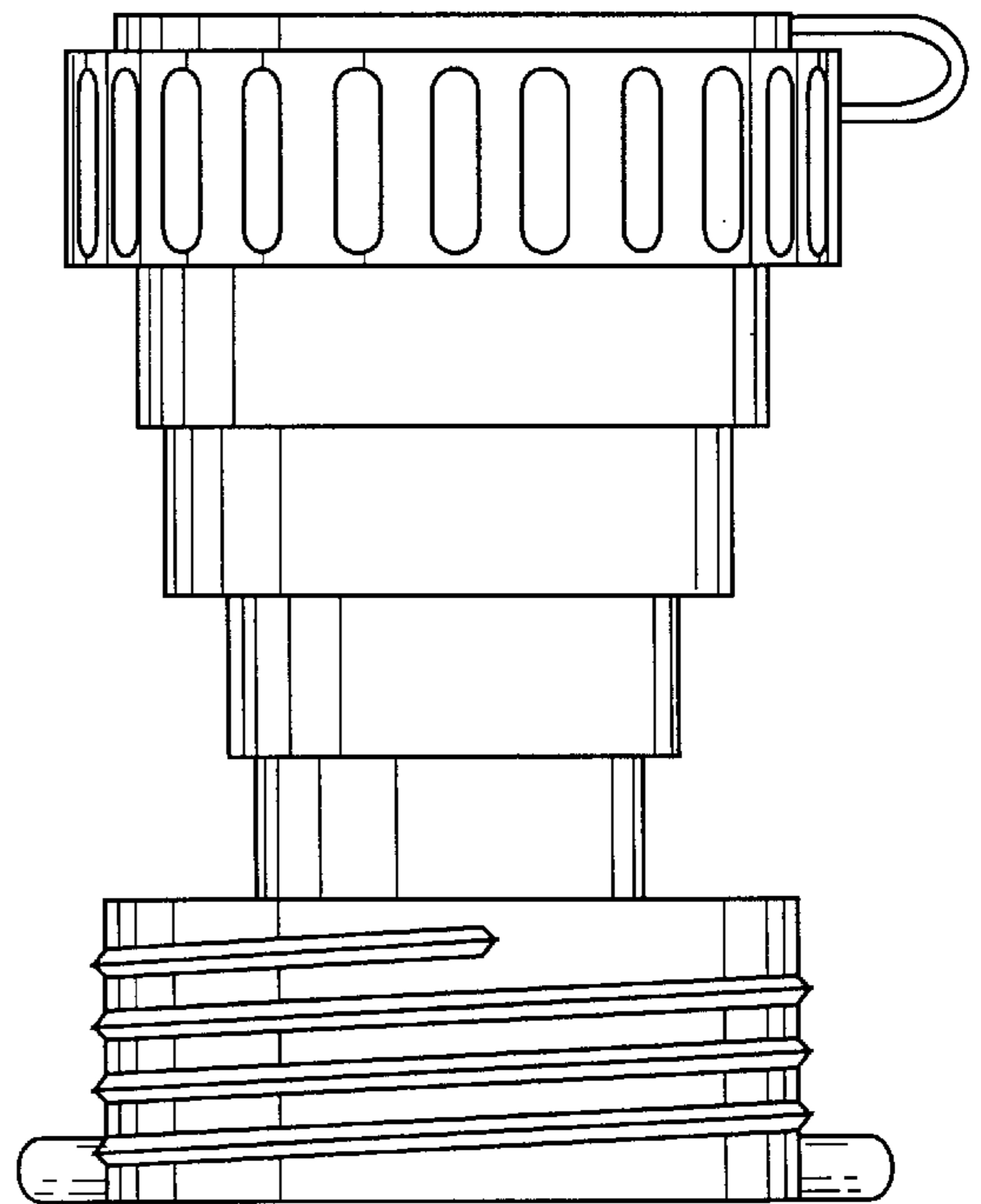


FIG. 12

FIG. 13



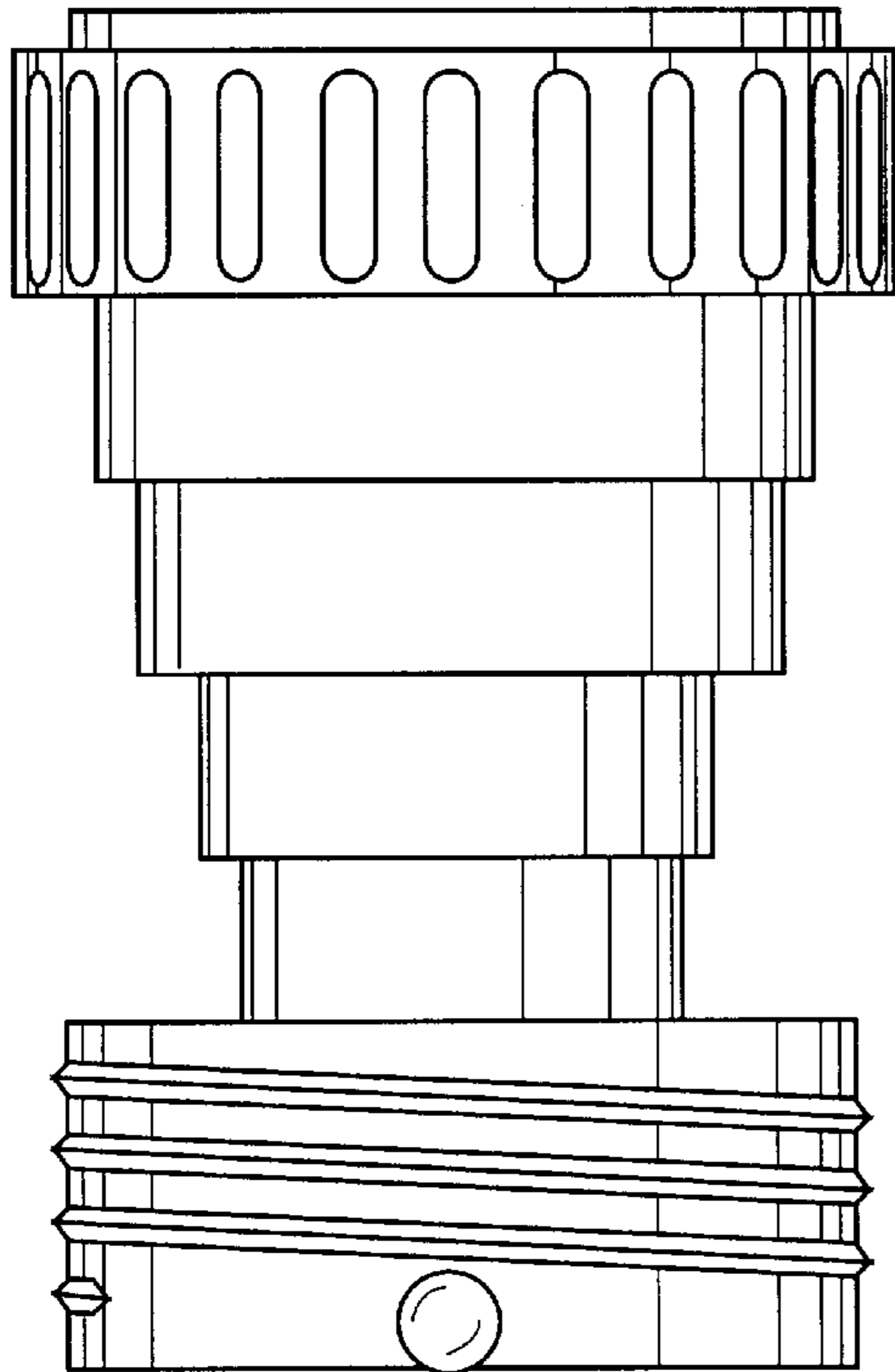


FIG. 14

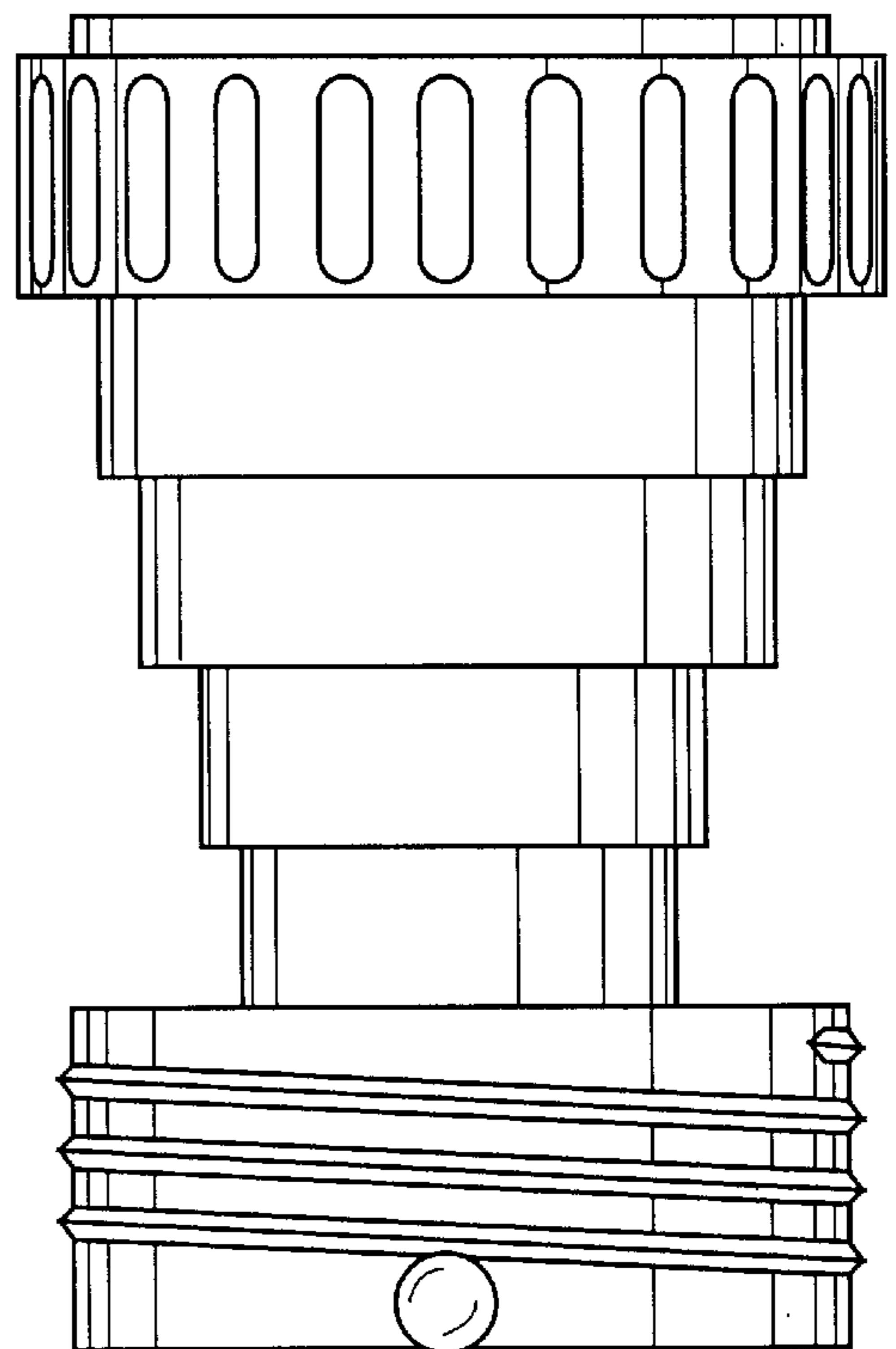


FIG. 15

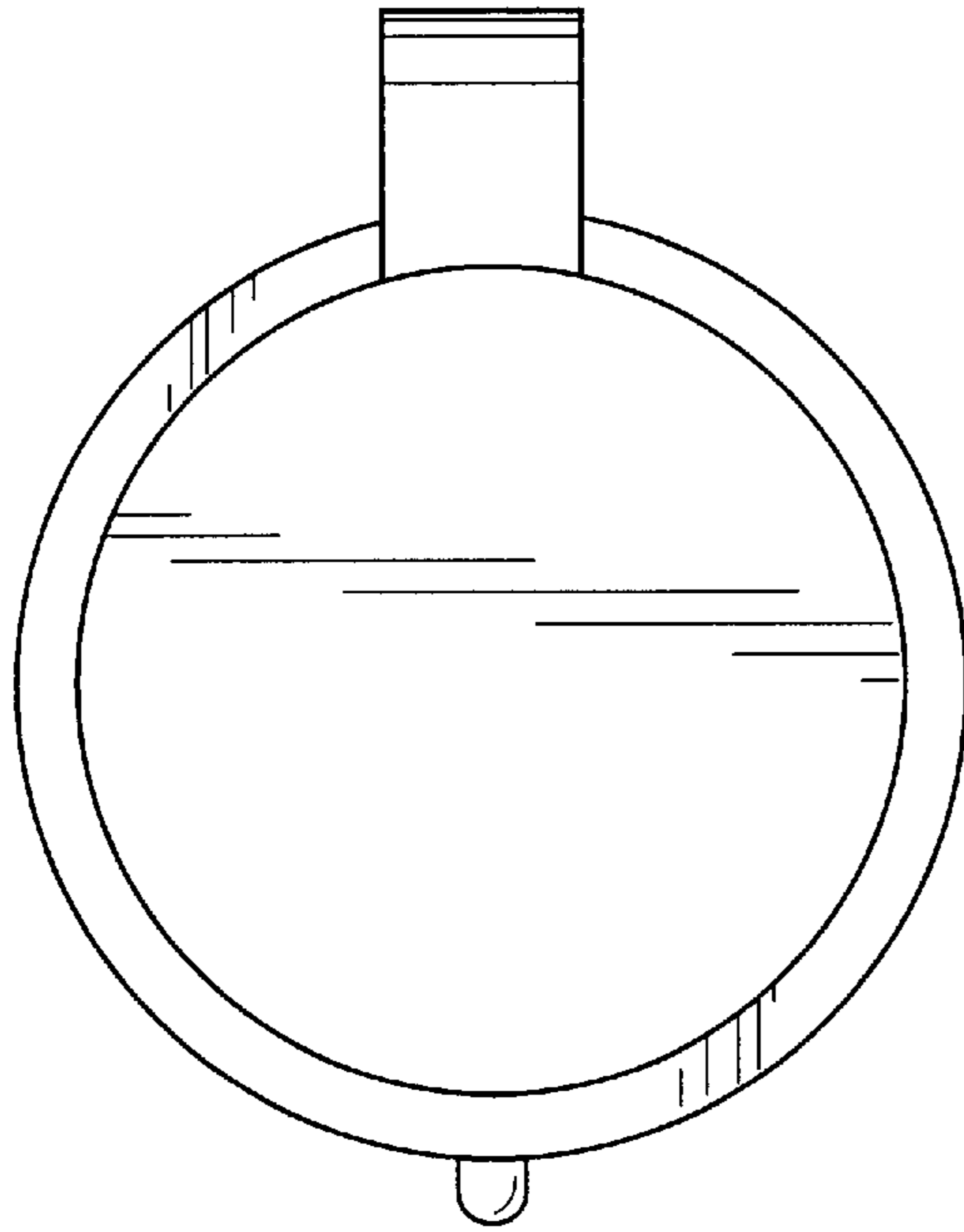


FIG. 16

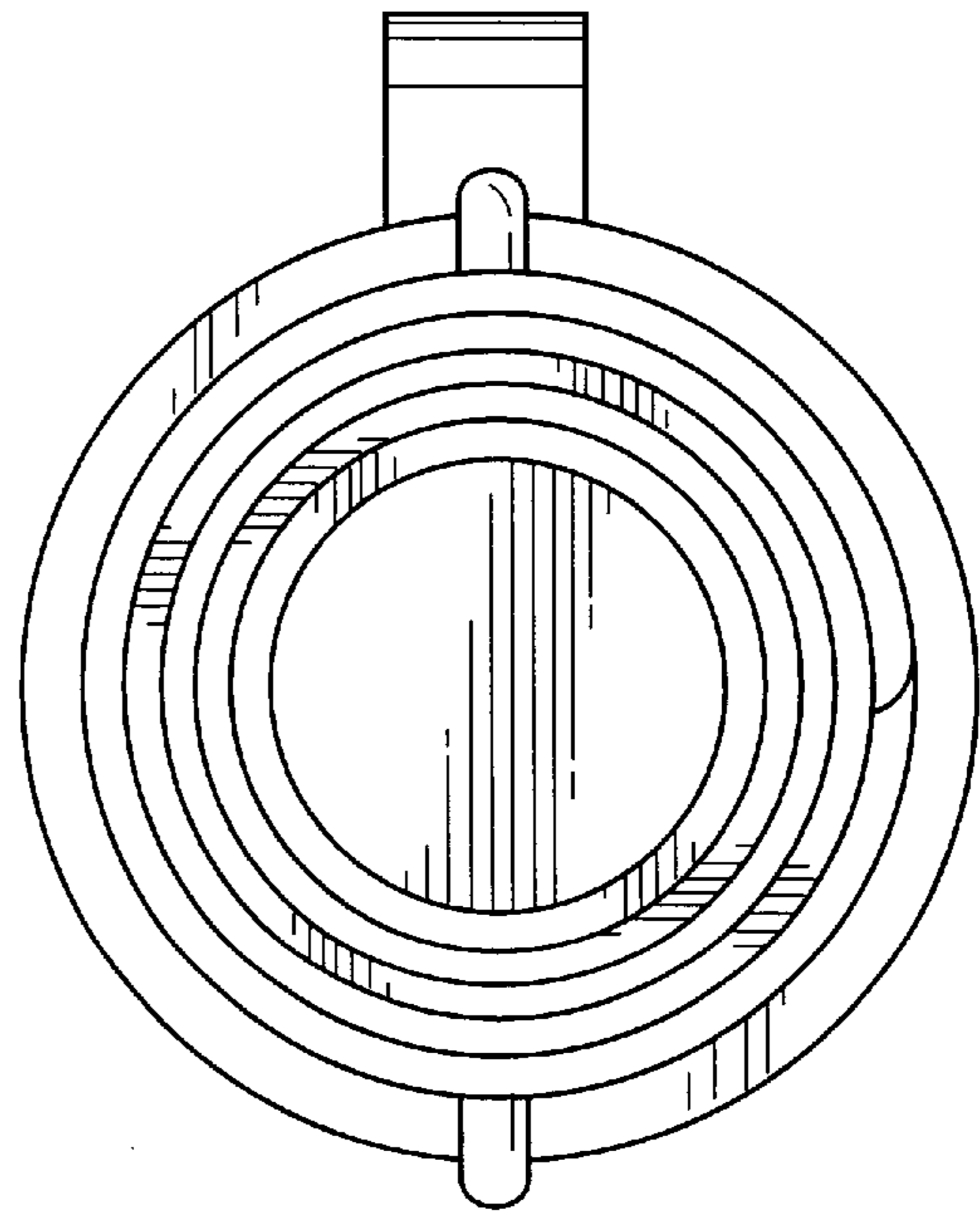


FIG. 17