



US00D403641S

# United States Patent [19]

Sacco et al.

[11] Patent Number: **Des. 403,641**

[45] Date of Patent: **\*\*Jan. 5, 1999**

[54] **MOTOR VEHICLE INSTRUMENT PANEL**

[75] Inventors: **Bruno Sacco**, Sindelfingen; **Peter Pfeiffer**, Böblingen; **Romuald Juraschek**, Calw, all of Germany

[73] Assignee: **Mercedes-Benz AG**, Stuttgart, Germany

[\*\*] Term: **14 Years**

[21] Appl. No.: **65,594**

[22] Filed: **Jan. 30, 1997**

[30] **Foreign Application Priority Data**

Jul. 30, 1996 [DE] Germany ..... M 90 06 391.2

[51] **LOC (6) Cl.** ..... **12-16**

[52] **U.S. Cl.** ..... **D12/192**

[58] **Field of Search** ..... D12/400, 415,  
D12/192; 180/90; 280/752; 296/70

[56] **References Cited**

**U.S. PATENT DOCUMENTS**

- D. 210,770 4/1968 Geiger et al. .... D12/192
- D. 241,133 8/1976 Gonzalez ..... D12/192
- D. 270,825 10/1983 Luthe et al. .... D12/192

- D. 285,915 9/1986 Luthe et al. .... D12/192
- D. 339,786 9/1993 Allendorph et al. .... D12/192
- D. 363,053 10/1995 Abele ..... D12/192
- D. 369,999 5/1996 Sacco et al. .... D12/192
- D. 372,010 7/1996 Pfeiffer et al. .... D12/192
- D. 378,585 3/1997 Duguid et al. .... D12/192
- 4,530,517 7/1985 Miyabayahi et al. .... 280/752

*Primary Examiner*—James Gandy  
*Assistant Examiner*—Stacia Sinuik  
*Attorney, Agent, or Firm*—Evenson, McKeown, Edwards & Lenahan, PLLC

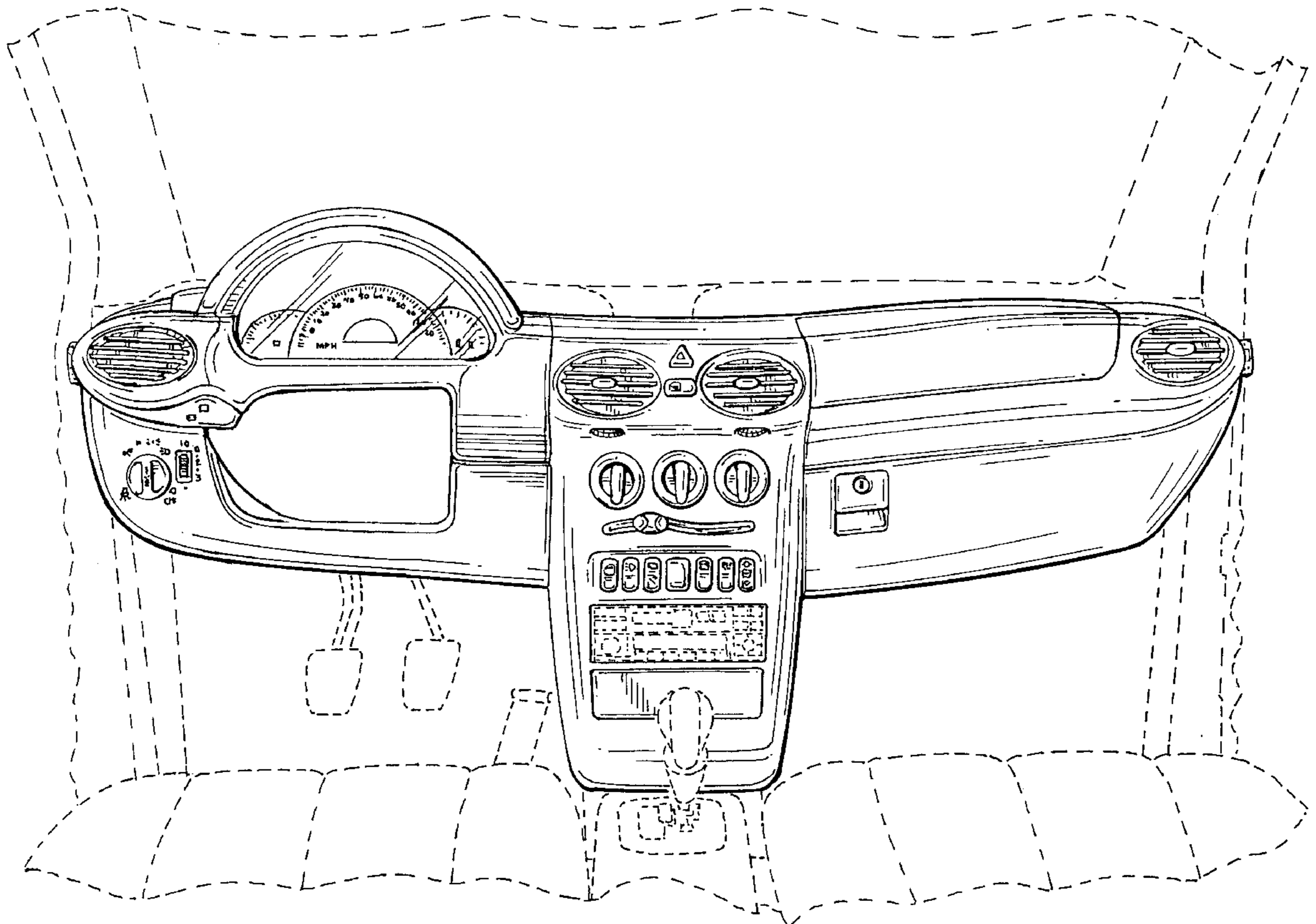
[57] **CLAIM**

The ornamental design for a motor vehicle instrument panel, as shown and described.

**DESCRIPTION**

FIG. 1 is a front perspective of a motor vehicle instrument panel according to our novel design; FIG. 2 is a left-front perspective of a motor vehicle instrument panel according to our novel design; and, FIG. 3 right-front perspective of a motor vehicle instrument panel according to our novel design. The dashed line illustrations are for purposes of showing the environment and are not part of the claimed design.

**1 Claim, 3 Drawing Sheets**



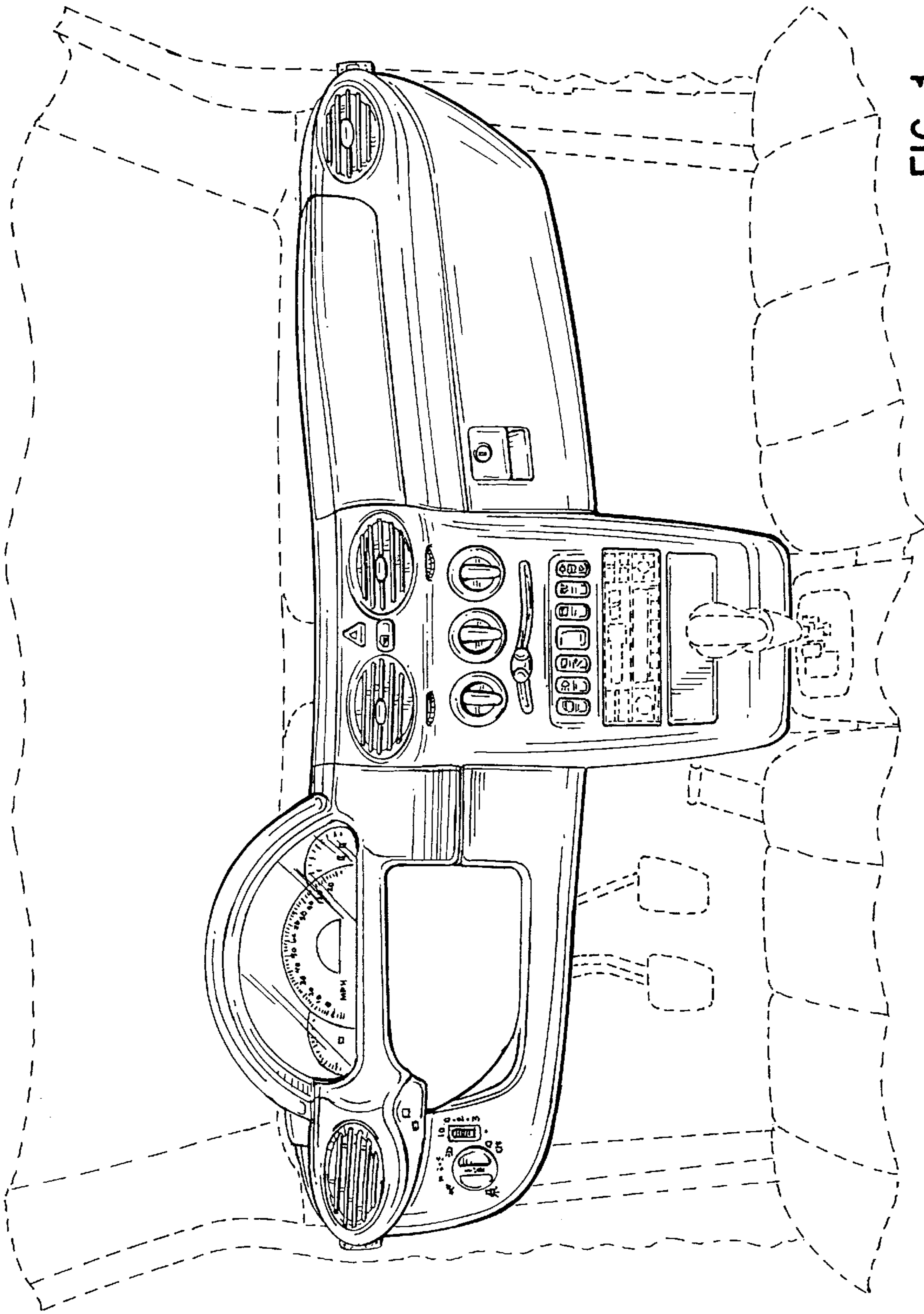


FIG. 1

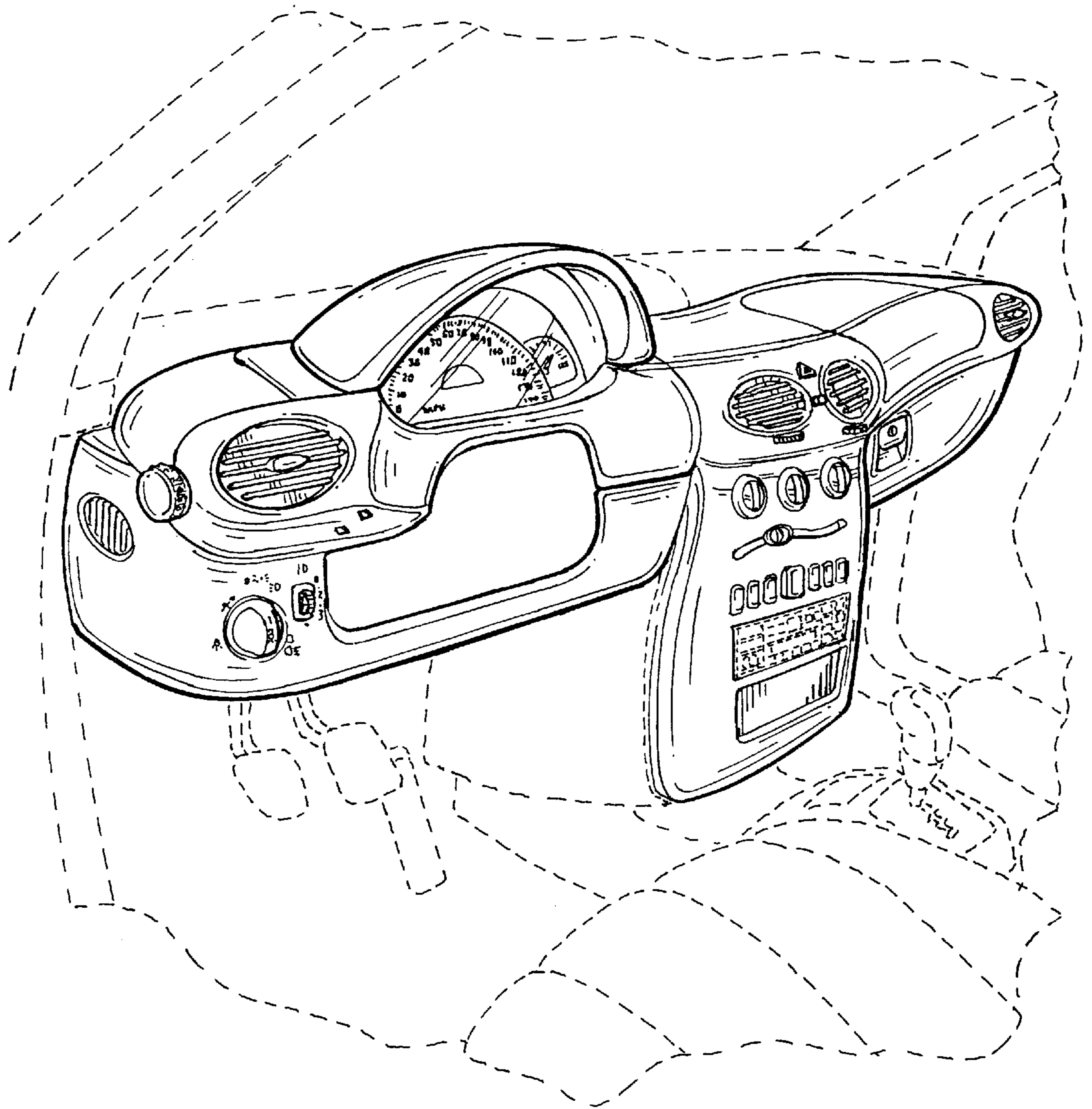


FIG. 2

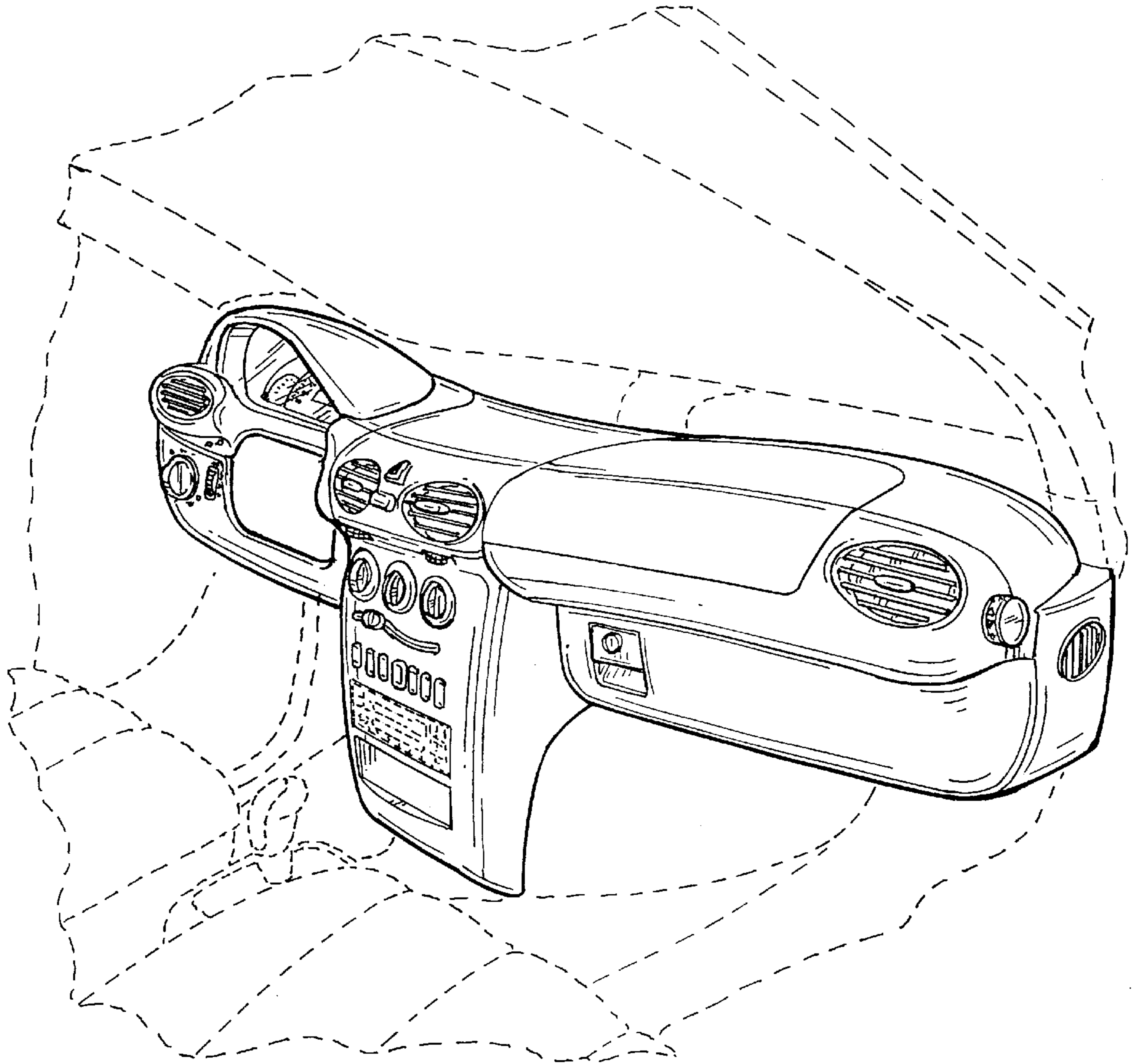


FIG. 3