



US00D403635S

# United States Patent [19]

Richardson, III et al.

[11] **Patent Number:** **Des. 403,635**

[45] **Date of Patent:** **\*\*Jan. 5, 1999**

[54] **BOW GUARD**

[76] Inventors: **Hardy C. Richardson, III**, 12152 Jim Mizell Rd., Bogalusa, La. 70427;  
**Michael J. Richardson**, 1308 15th Ave., Franklinton, La. 70438

[\*\*] Term: **14 Years**

[21] Appl. No.: **21,579**

[22] Filed: **Apr. 20, 1994**

### Related U.S. Application Data

[63] Continuation of Ser. No. 849,312, Mar. 9, 1992, abandoned.

[51] **LOC (6) Cl.** ..... **12-06**

[52] **U.S. Cl.** ..... **D12/168**

[58] **Field of Search** ..... D12/317, 318, D12/133, 168; 114/36, 219, 230, 343

### [56] References Cited

#### U.S. PATENT DOCUMENTS

4,762,080 8/1988 Pearson ..... 114/219  
4,773,349 9/1988 McKinney ..... 114/219

4,815,412 3/1989 Cassaro, Jr. .... 114/343  
4,917,039 4/1990 Siero ..... 114/230  
4,922,849 5/1990 Wills ..... 114/36

### OTHER PUBLICATIONS

Brochure distributed by American Inventors Corporation approximately during May, 1992.

*Primary Examiner*—Kay H. Chin

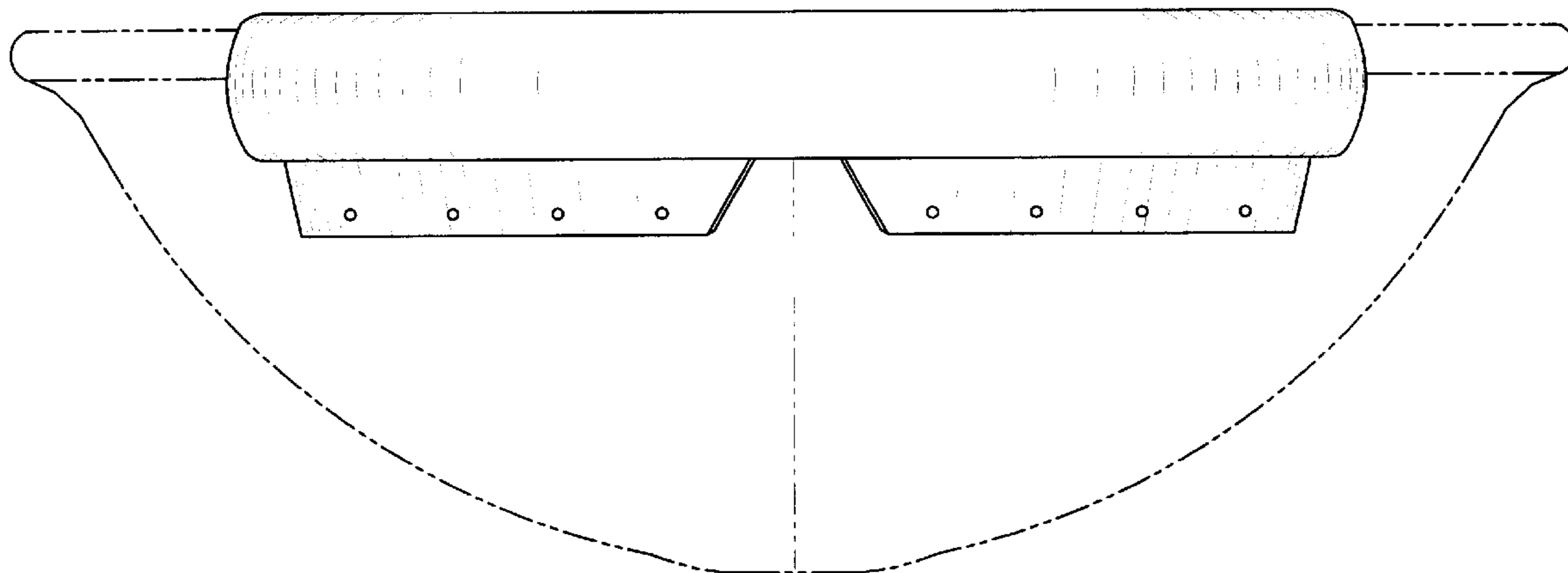
### [57] CLAIM

The ornamental design for a bow guard, as shown and described.

### DESCRIPTION

FIG. 1 is a front elevational view of the bow guard showing my new design, the broken lines are for illustrative purposes only and form no part of the claimed design; FIG. 2 is a rear elevational view thereof; FIG. 3 is a left side elevational view thereof; FIG. 4 is a right side elevational view thereof; FIG. 5 is a top plan view thereof; and, FIG. 6 is a bottom plan view thereof.

**1 Claim, 3 Drawing Sheets**



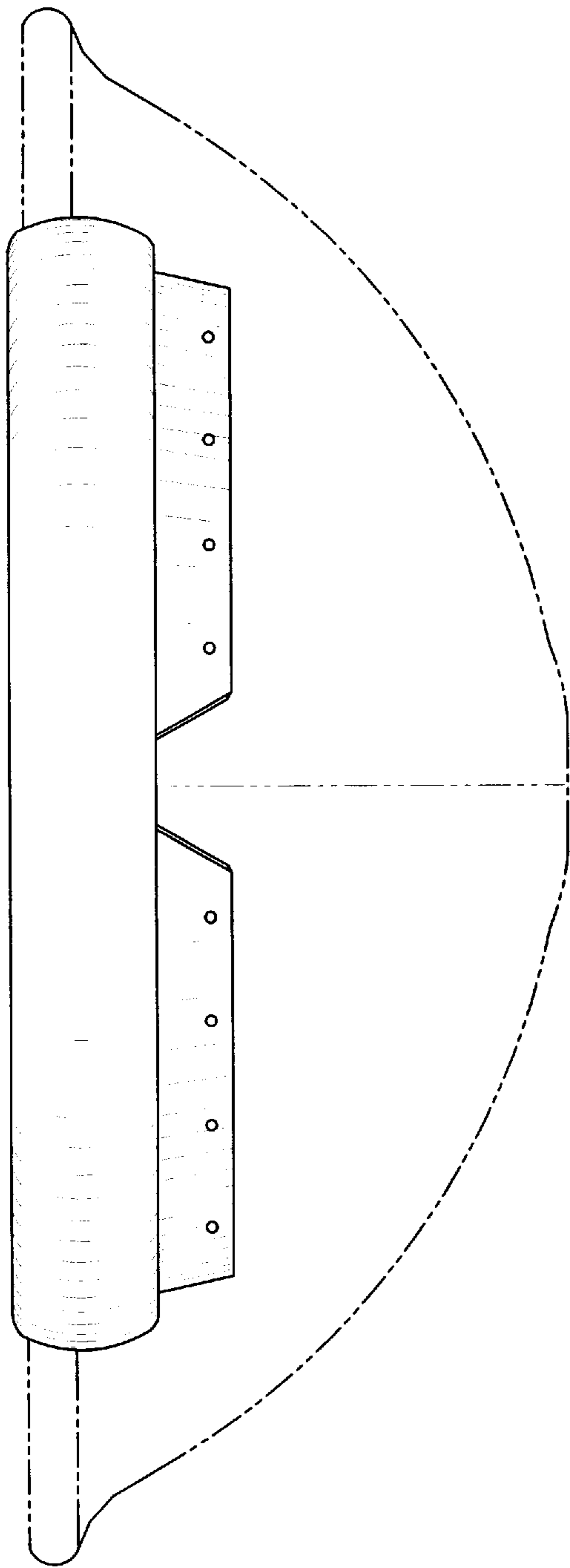


FIG. 1

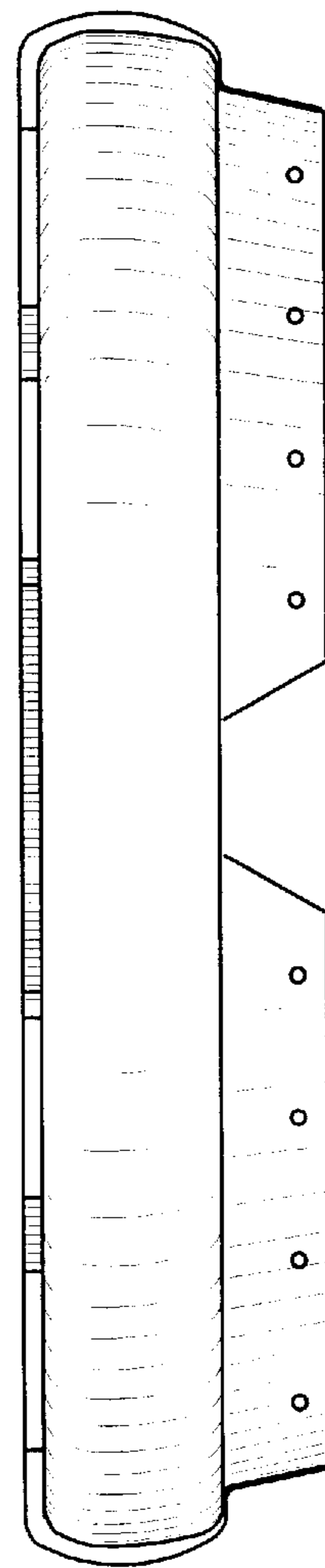
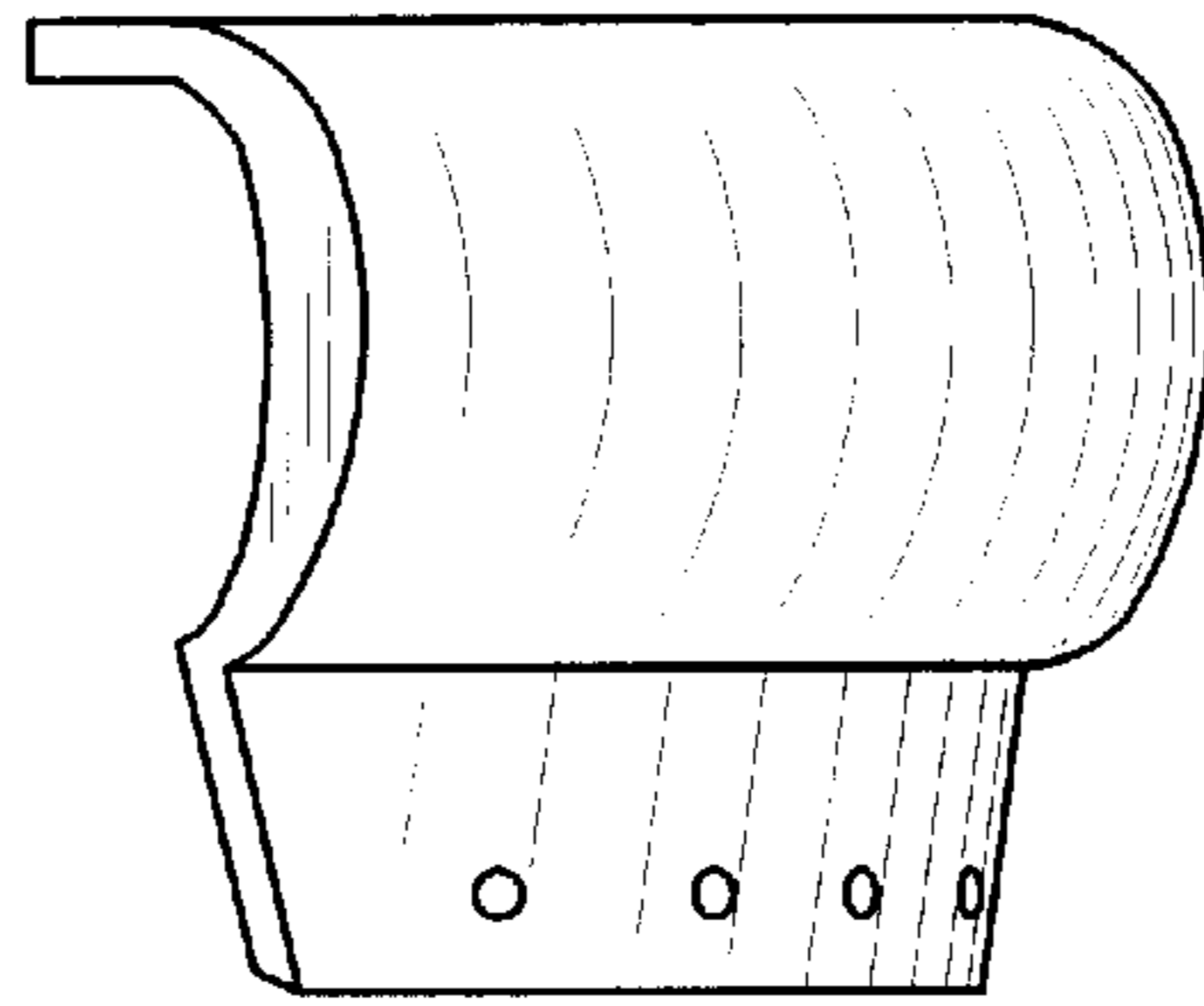
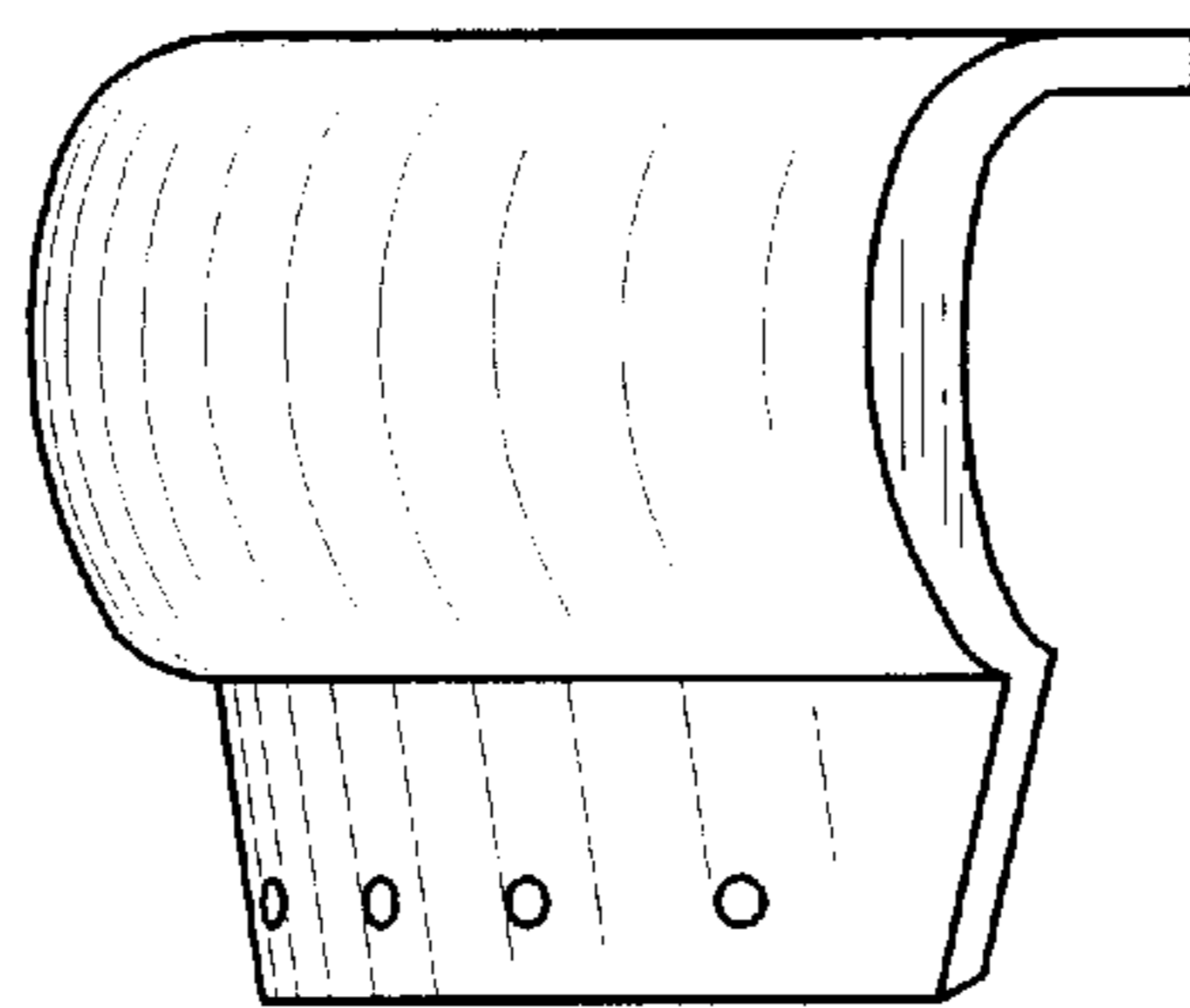


FIG. 2



*FIG. 3*



*FIG. 4*



FIG. 5

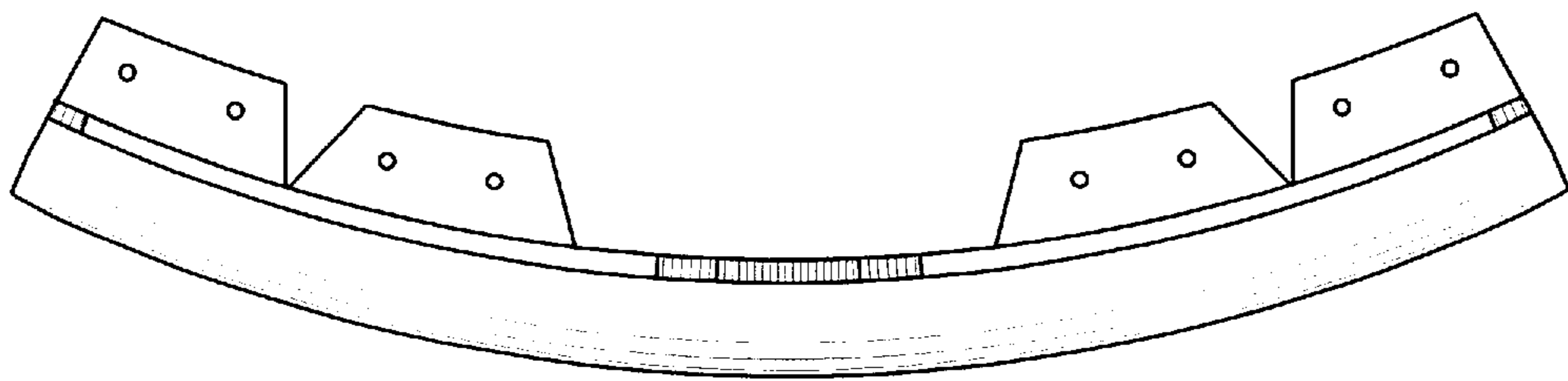


FIG. 6