



US00D403632S

# United States Patent [19]

Guspodin et al.

[11] Patent Number: **Des. 403,632**

[45] Date of Patent: **\*\*Jan. 5, 1999**

## [54] TIRE TREAD

[75] Inventors: **James G. Guspodin**, Akron; **David A. Johnson**, Wadsworth, both of Ohio

[73] Assignee: **Bridgestone/Firestone, Inc.**, Akron, Ohio

[\*\*] Term: **14 Years**

[21] Appl. No.: **81,050**

[22] Filed: **Dec. 12, 1997**

[51] **LOC (6) Cl.** ..... **12-15**

[52] **U.S. Cl.** ..... **D12/147**

[58] **Field of Search** ..... D12/136, 138,  
D12/140-143, 146-152; 152/209 R, 209 A,  
209 D

## [56] References Cited

### U.S. PATENT DOCUMENTS

D. 310,985	10/1990	Covert et al. ....	D12/147
D. 344,048	2/1994	Loser .....	D12/146
D. 344,052	2/1994	Attinello et al. ....	D12/147
D. 346,142	4/1994	Consolacion et al. ....	D12/147
D. 347,607	6/1994	Montag et al. ....	D12/147
D. 350,511	9/1994	Anderson et al. ....	D12/147
D. 354,725	1/1995	McKisson .....	D12/146
D. 382,236	8/1997	Kakagawa et al. ....	D12/147
D. 384,620	10/1997	Gillard et al. ....	D12/147
D. 394,031	5/1998	Galante et al. ....	D12/147

## OTHER PUBLICATIONS

Bridgestone S321 Tire, 1996 Tread Design Guide, p. 13, Feb. 1996.

*Primary Examiner*—Robert M. Spear  
*Attorney, Agent, or Firm*—David A. Thomas

## [57] CLAIM

The ornamental design for a tire tread, as shown and described.

## DESCRIPTION

FIG. 1 is a side perspective view of a tire tread showing our new design, it being understood that the tread pattern is repeated throughout the circumference of the tire tread, the opposite side being the same as that shown;

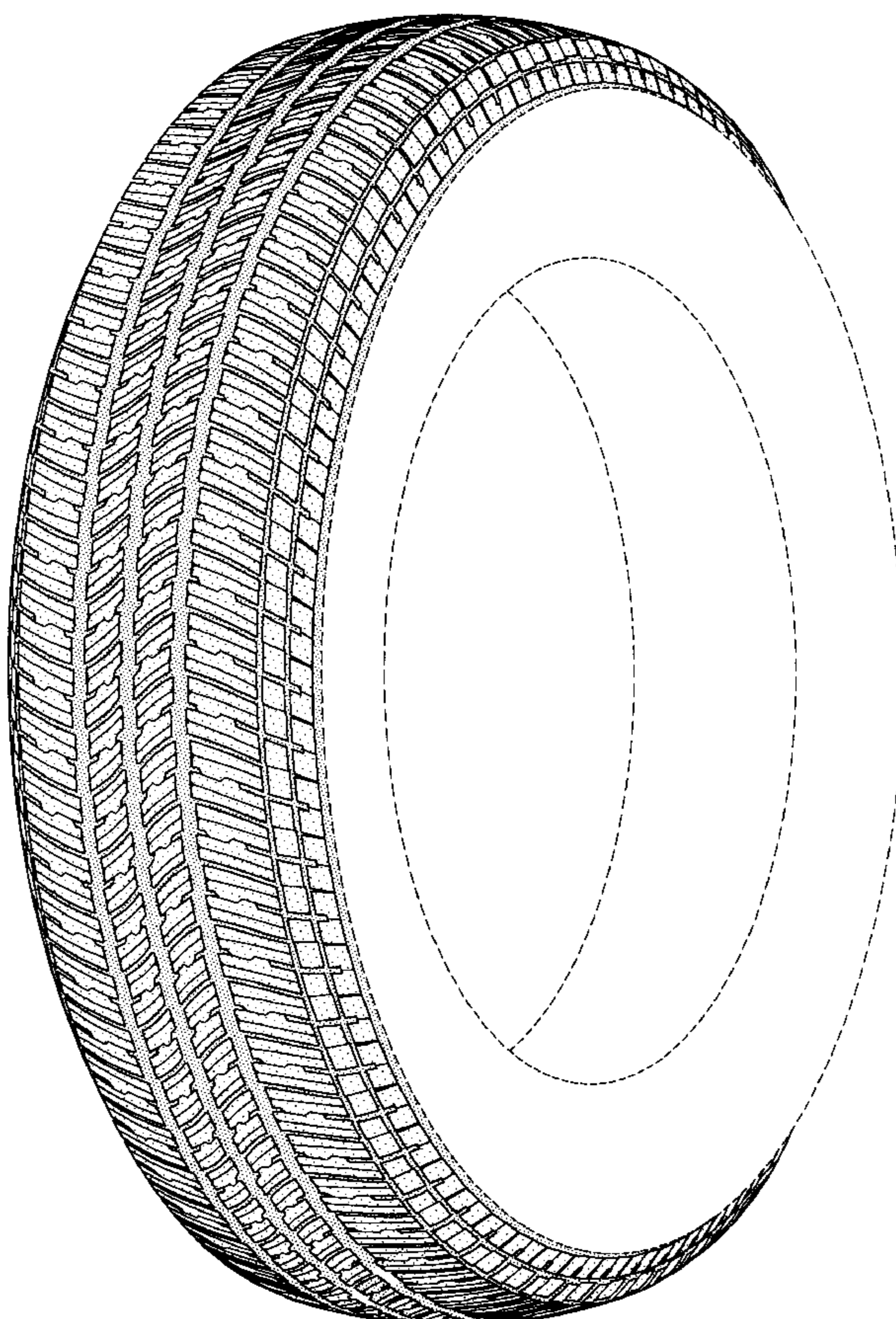
FIG. 2 is a front elevational view thereof;

FIG. 3 is a side elevational view of the right side thereof, the opposite side being identical thereto; and,

FIG. 4 is an enlarged fragmentary front elevational view thereof.

The dark stippled surface shading represents the recessed portion of the tread grooves, having a depth as best shown in FIG. 2; the broken lines defining the tire sidewall and inner bead and the peripheral boundary between the tire tread and sidewall are for illustrative purposes only and form no part of the claimed design.

**1 Claim, 4 Drawing Sheets**



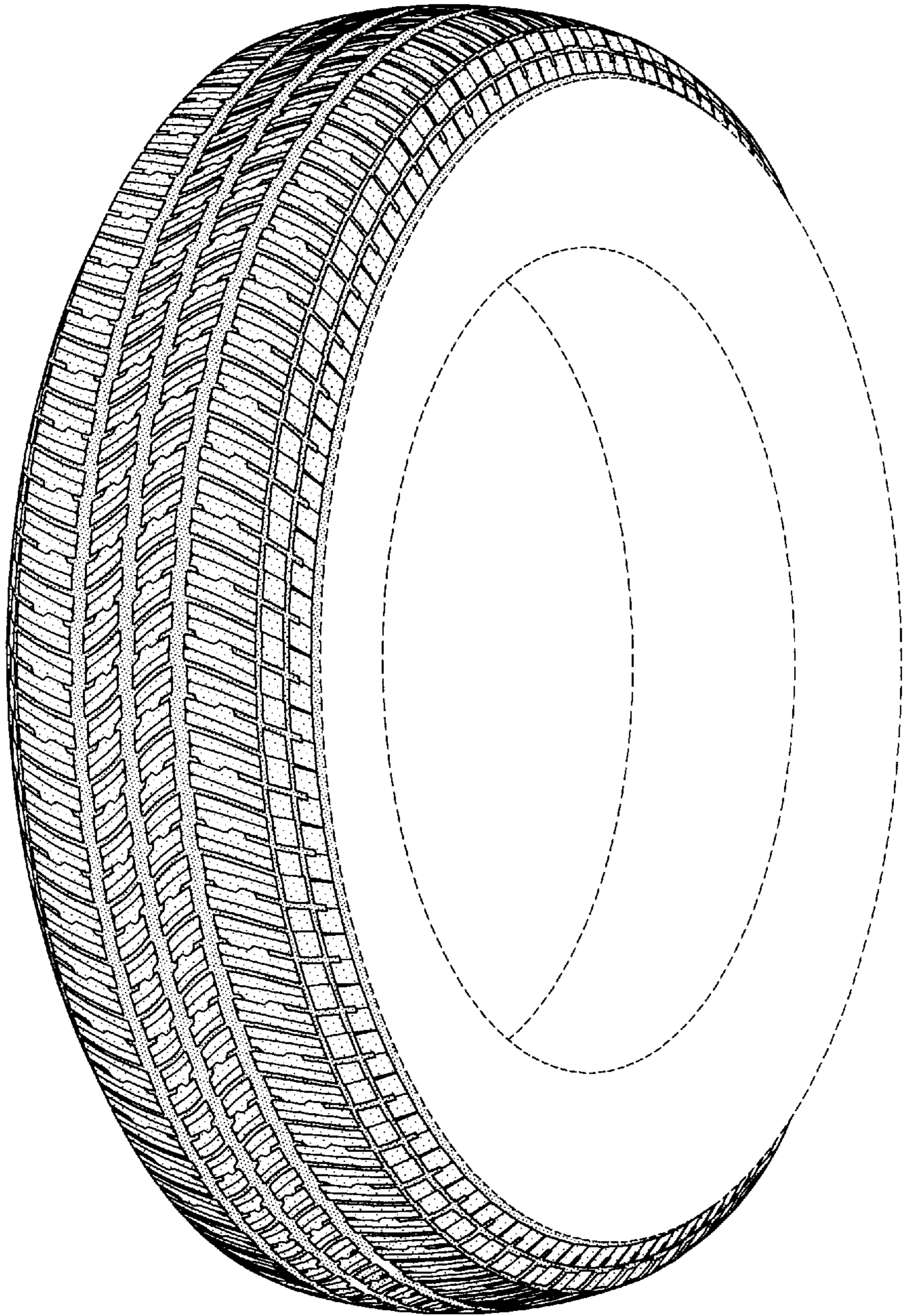


FIG-1

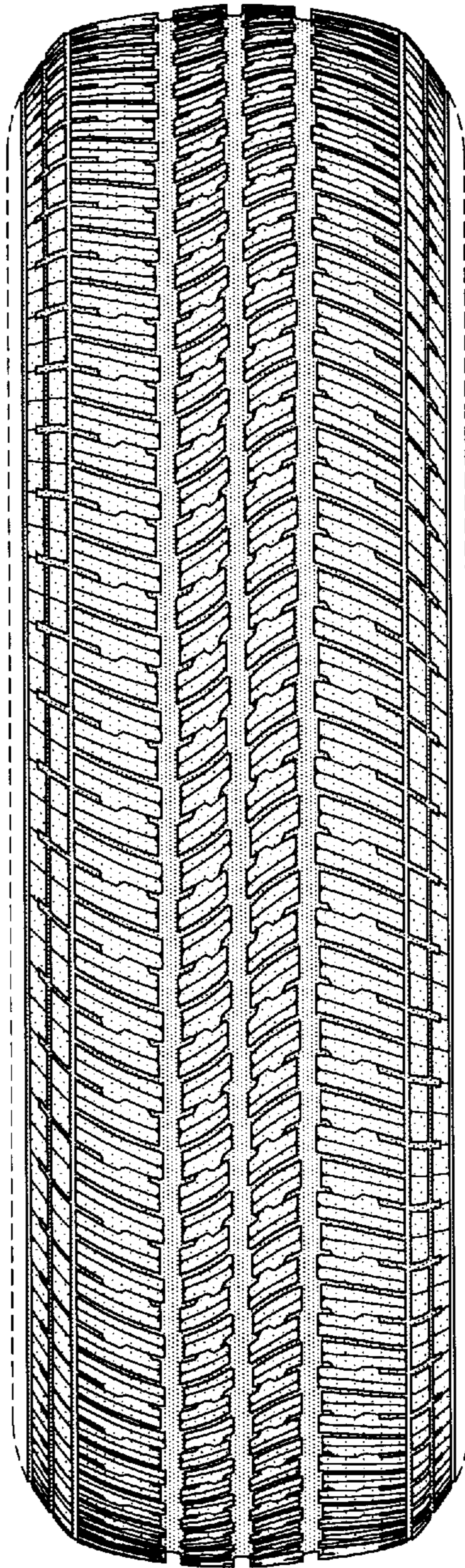


FIG-2

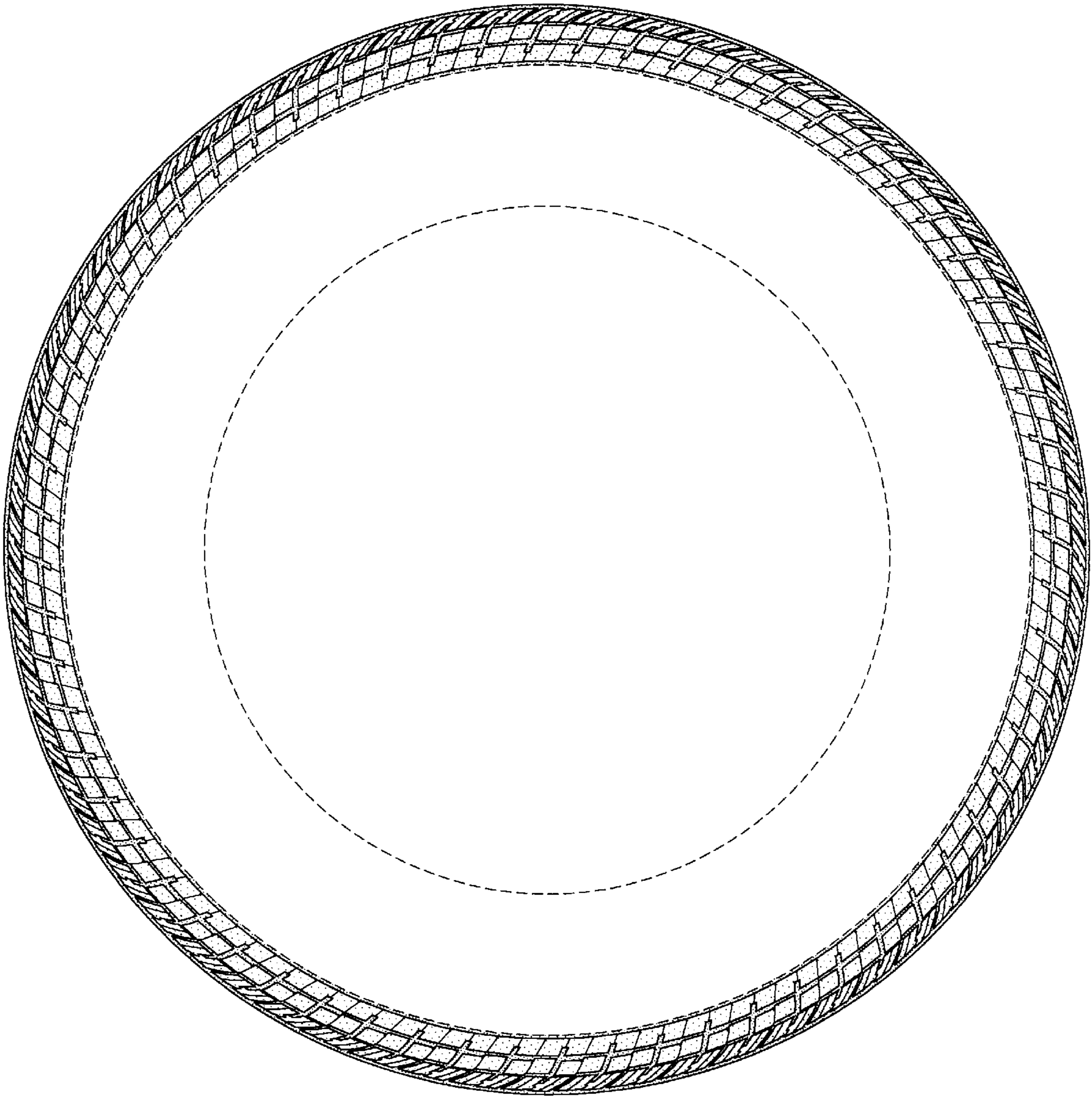


FIG-3

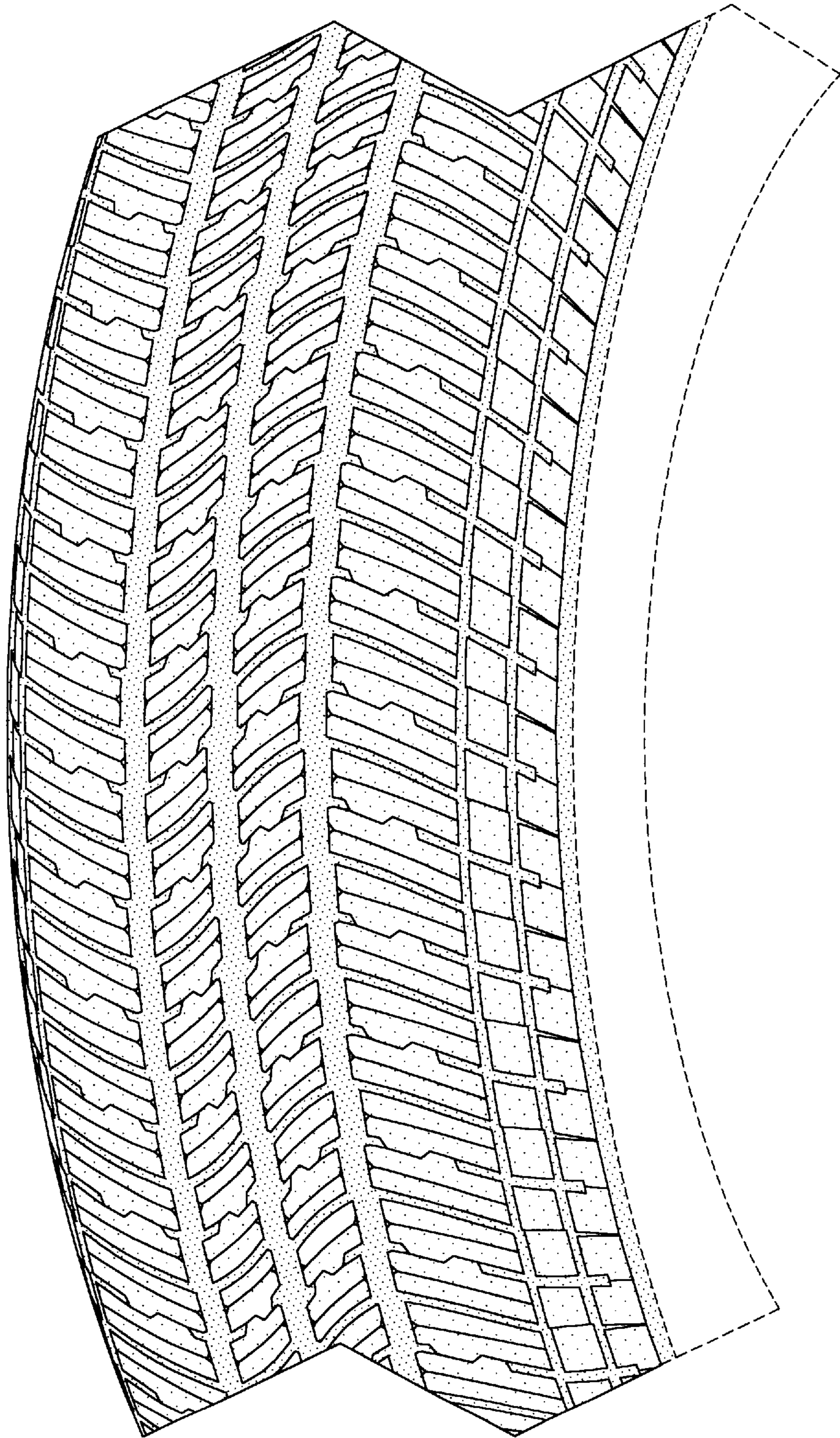


FIG-4