



US00D403631S

United States Patent [19] Blankenship et al.

[11] **Patent Number: Des. 403,631**
[45] **Date of Patent: **Jan. 5, 1999**

[54] **TIRE TREAD**

D. 375,709 11/1996 Guspodin et al. D12/147

[75] Inventors: **Leonard F. Blankenship**, Sterling;
John J. Regallis, Akron; **David M. Reep**, Copley, all of Ohio

OTHER PUBLICATIONS

Falken FK-711 Tire, 1996 Tread Design Guide, p. 26, Feb. 1996.

[73] Assignee: **Bridgestone/Firestone, Inc.**, Akron, Ohio

Ohtsu Falken FK-651 Tire, 1996 Tread Design Guide, p. 57, Feb. 1996.

[**] Term: **14 Years**

Primary Examiner—Robert M. Spear
Attorney, Agent, or Firm—David A. Thomas

[21] Appl. No.: **80,984**

[57] CLAIM

[22] Filed: **Dec. 22, 1997**

The ornamental design for a tire tread, as shown and described.

[51] **LOC (6) Cl.** **12-15**

DESCRIPTION

[52] **U.S. Cl.** **D12/147**

[58] **Field of Search** D12/136, 138,
D12/140-143, 146-152; 152/209 R, 209 A,
209 D

FIG. 1 is a side perspective view of a tire tread showing our new design, it being understood that the tread pattern is repeated throughout the circumference of the tire tread, the opposite side being the same as that shown;

[56] References Cited

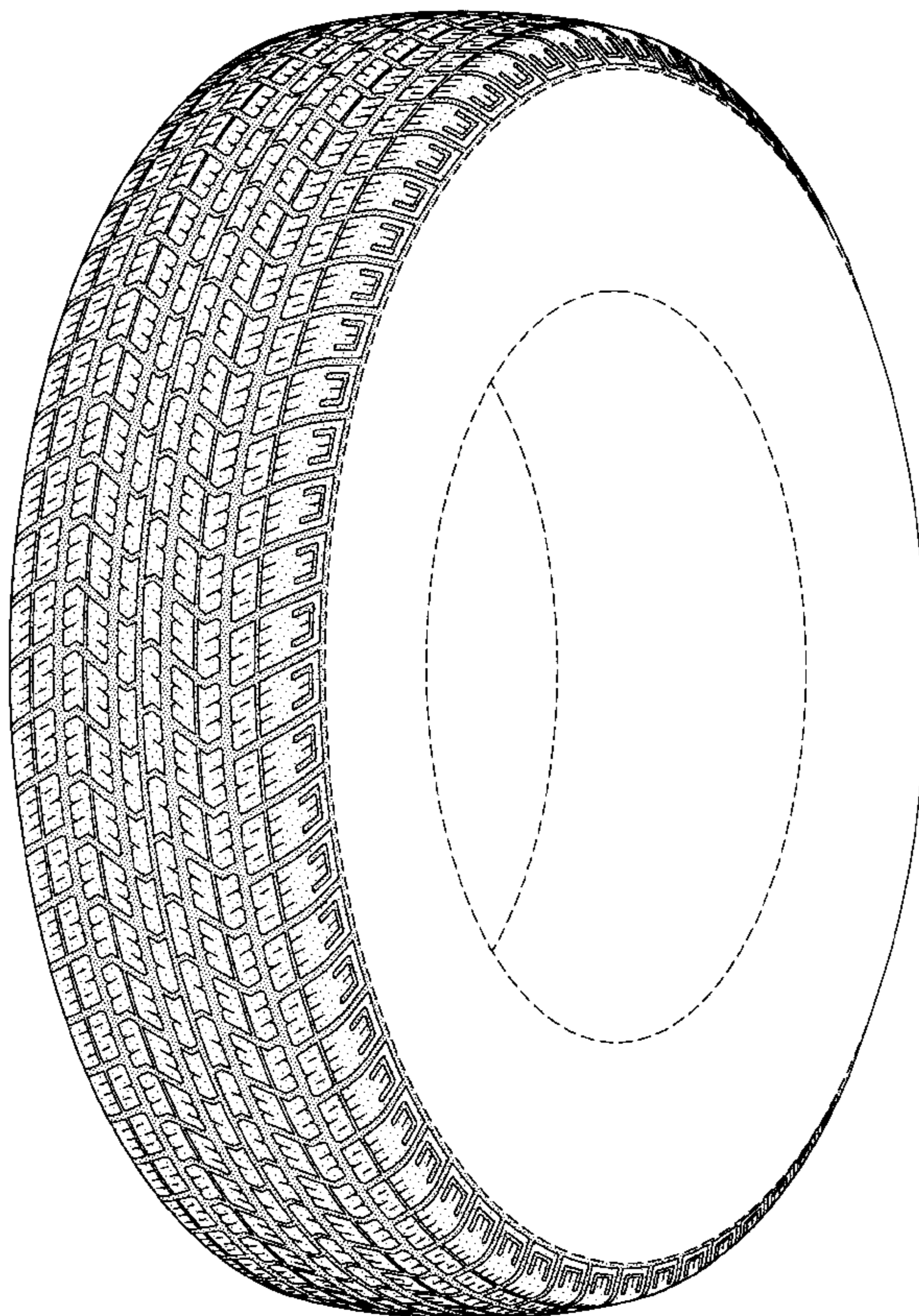
U.S. PATENT DOCUMENTS

D. 279,365	6/1985	Takehara	D12/147
D. 279,366	6/1985	Takehara	D12/147
D. 284,562	7/1986	Kojima et al.	D12/147
D. 326,073	5/1992	Hayakawa et al.	D12/147
D. 333,286	2/1993	Rogers et al.	D12/146
D. 333,452	2/1993	Crano et al.	D12/146
D. 346,775	5/1994	Loser	D12/146
D. 352,489	11/1994	Breny et al.	D12/147
D. 362,218	9/1995	McKisson	D12/147
D. 370,441	6/1996	Guspodin et al.	D12/147
D. 370,443	6/1996	Lassan et al.	D12/147

FIG. 2 is a front elevational view thereof;
FIG. 3 is a side elevational view of the right side thereof, the opposite side being identical thereto; and,
FIG. 4 is an enlarged fragmentary front elevational view thereof.

The dark stippled surface shading represents the recessed portion of the tread grooves, having a depth as best shown in FIG. 2; the broken lines defining the tire sidewall and inner bead and the peripheral boundary between the tire tread and sidewall are for illustrative purposes only and form no part of the claimed design.

1 Claim, 4 Drawing Sheets



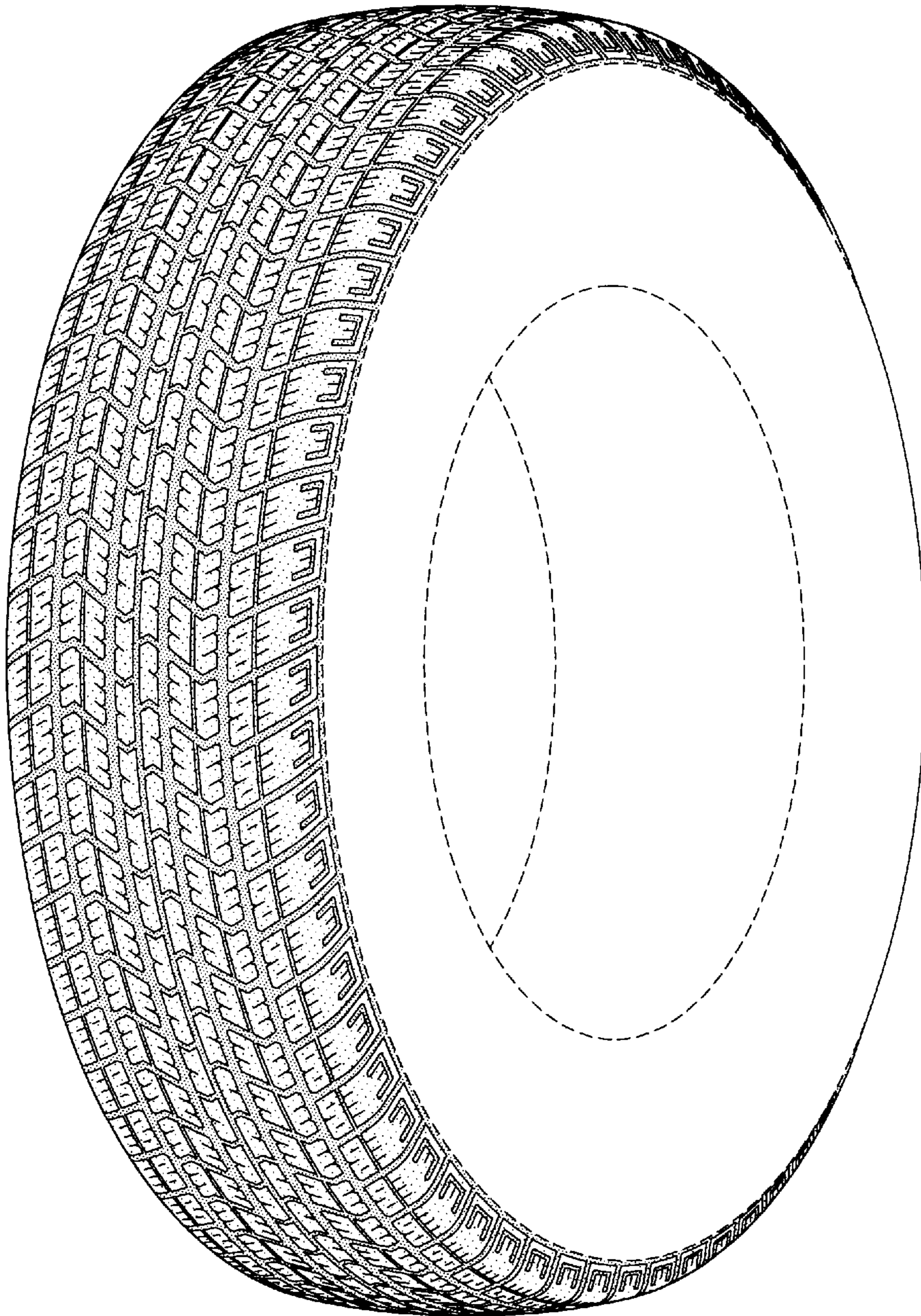


FIG-1

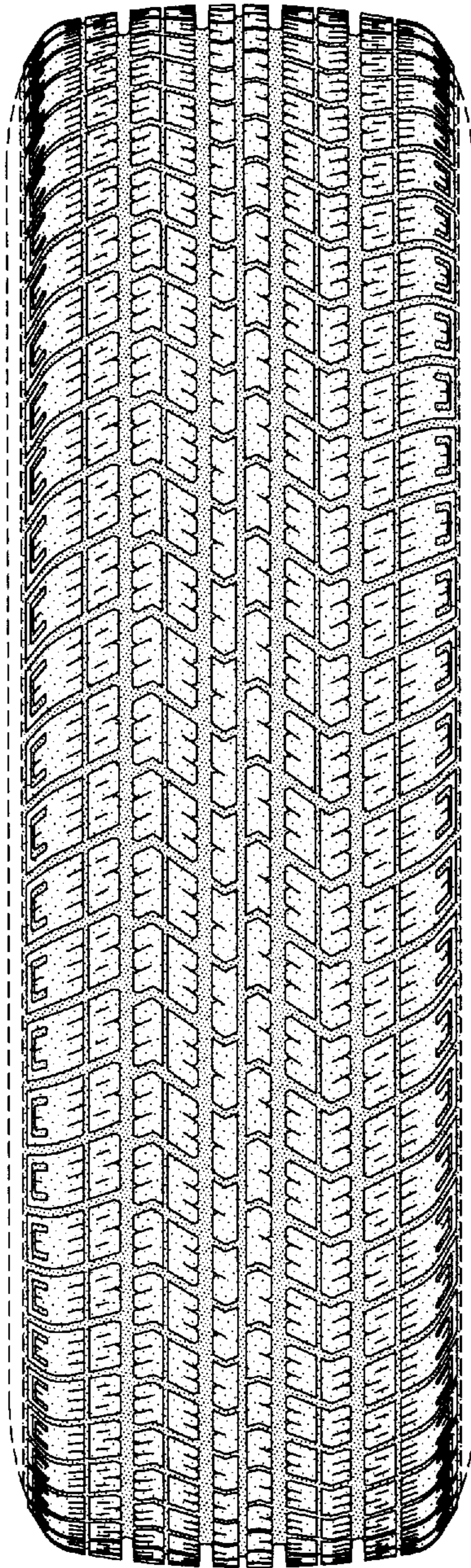


FIG-2

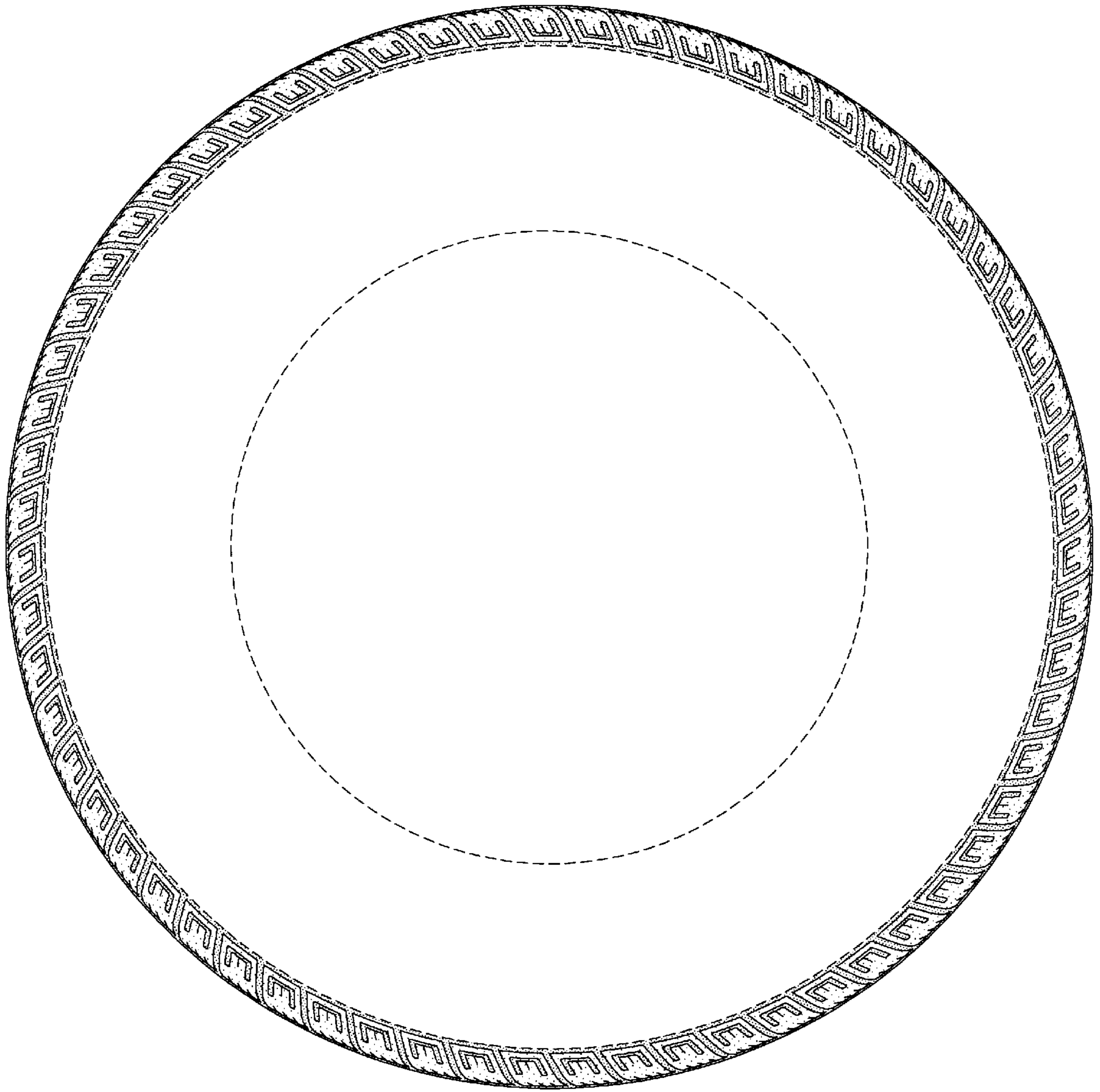


FIG-3

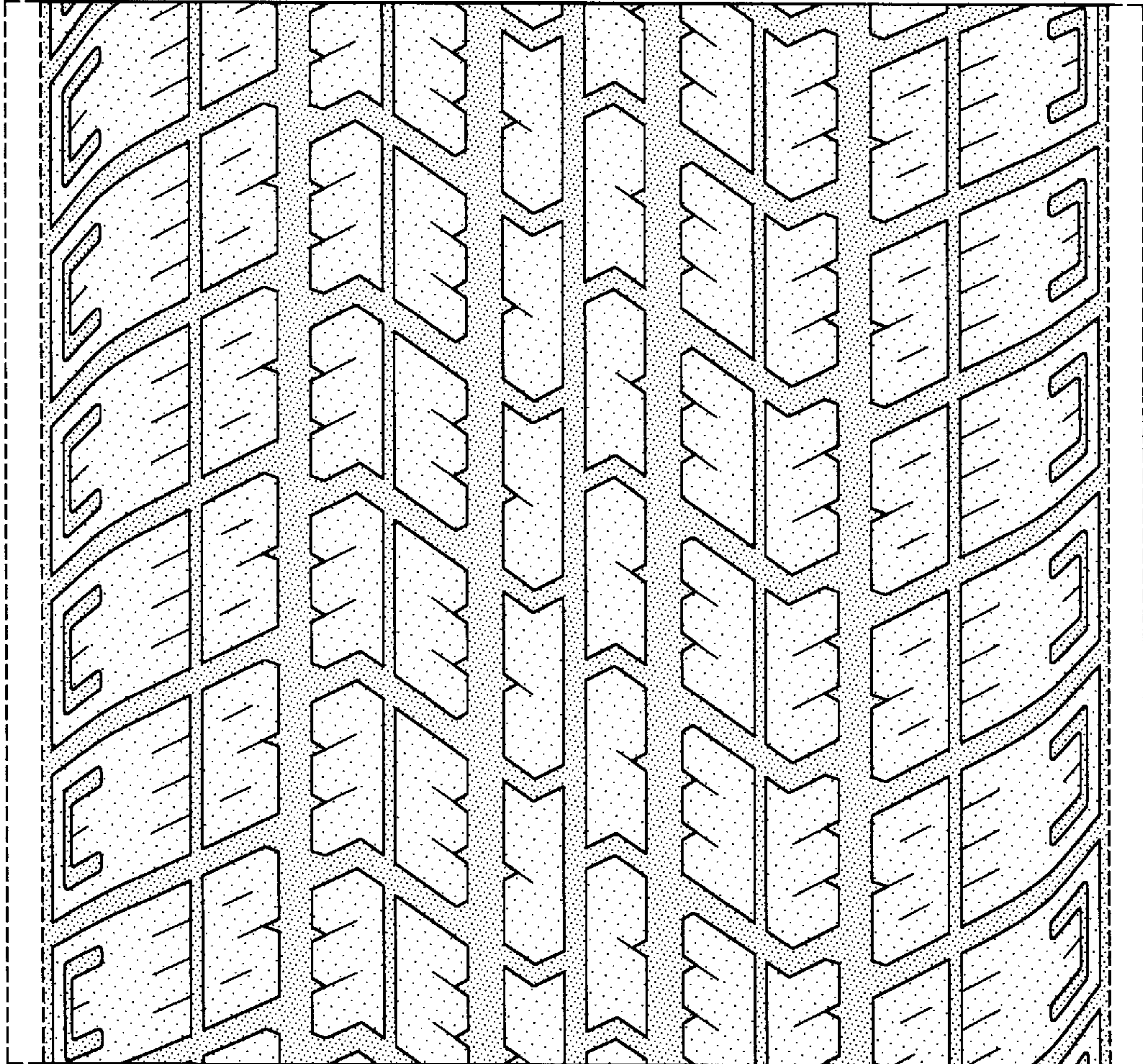


FIG-4