



US00D403621S

United States Patent [19] Spinella

[11] Patent Number: Des. 403,621

[45] Date of Patent: **Jan. 5, 1999

[54] COMBINED PEDIATRIC EQUIPMENT CARRIER AND CHILDREN'S STROLLER

[76] Inventor: Karen Spinella, 108 Sunset Ave., Verona, N.J. 07044

[**] Term: 14 Years

[21] Appl. No.: 84,267

[22] Filed: Feb. 27, 1998

[51] LOC (6) Cl. 12-12

[52] U.S. Cl. D12/128; D12/129

[58] Field of Search D12/128-133; 280/647, 650, 642, 304.1; 297/188.01, 188.06, 188.04, DIG. 4

[56] References Cited

U.S. PATENT DOCUMENTS

3,054,638	9/1962	Johnson et al.	280/647
4,431,206	2/1984	Pryor	280/304.1
5,374,074	12/1994	Smith	280/304.1
5,641,197	6/1997	Springmann	297/188.11

Primary Examiner—Kay H. Chin
Attorney, Agent, or Firm—Siegmar Silber, Esq.

[57] CLAIM

The ornamental design for a combined pediatric equipment carrier and children's stroller, as shown and described.

DESCRIPTION

FIG. 1 is a perspective view of a combined pediatric

equipment carrier and children's stroller showing a stroller combined with an intravenous pole and cardiac monitor and in dashed lines, a child seated in the stroller portion thereof, an intravenous bag mounted on the pole therefor, and the connections therebetween;

FIG. 2 is a top plan view of FIG. 1;

FIG. 3 is a left side elevational view of FIG. 1, the right side elevational view not being shown as it is substantially identical to the left side elevational view;

FIG. 4 is a front elevational view of FIG. 1;

FIG. 5 is a rear elevational view of FIG. 1;

FIG. 6 is a bottom plan view of FIG. 1;

FIG. 7 is a perspective view of a second embodiment of the combined pediatric equipment carrier and children's stroller similar to FIG. 1, but showing a stroller combined with an intravenous pole and pump, and in dashed lines, a child seated in the stroller portion thereof, an intravenous bag mounted on the pole therefor, and the connections therebetween;

FIG. 8 is a top plan view of FIG. 7;

FIG. 9 is a left side elevational view of FIG. 7, the right side elevational view not being shown as it is substantially identical to the left side elevational view;

FIG. 10 is a front elevational view of FIG. 7;

FIG. 11 is a rear elevational view of FIG. 7; and,

FIG. 12 is a bottom plan view of FIG. 7.

1 Claim, 6 Drawing Sheets

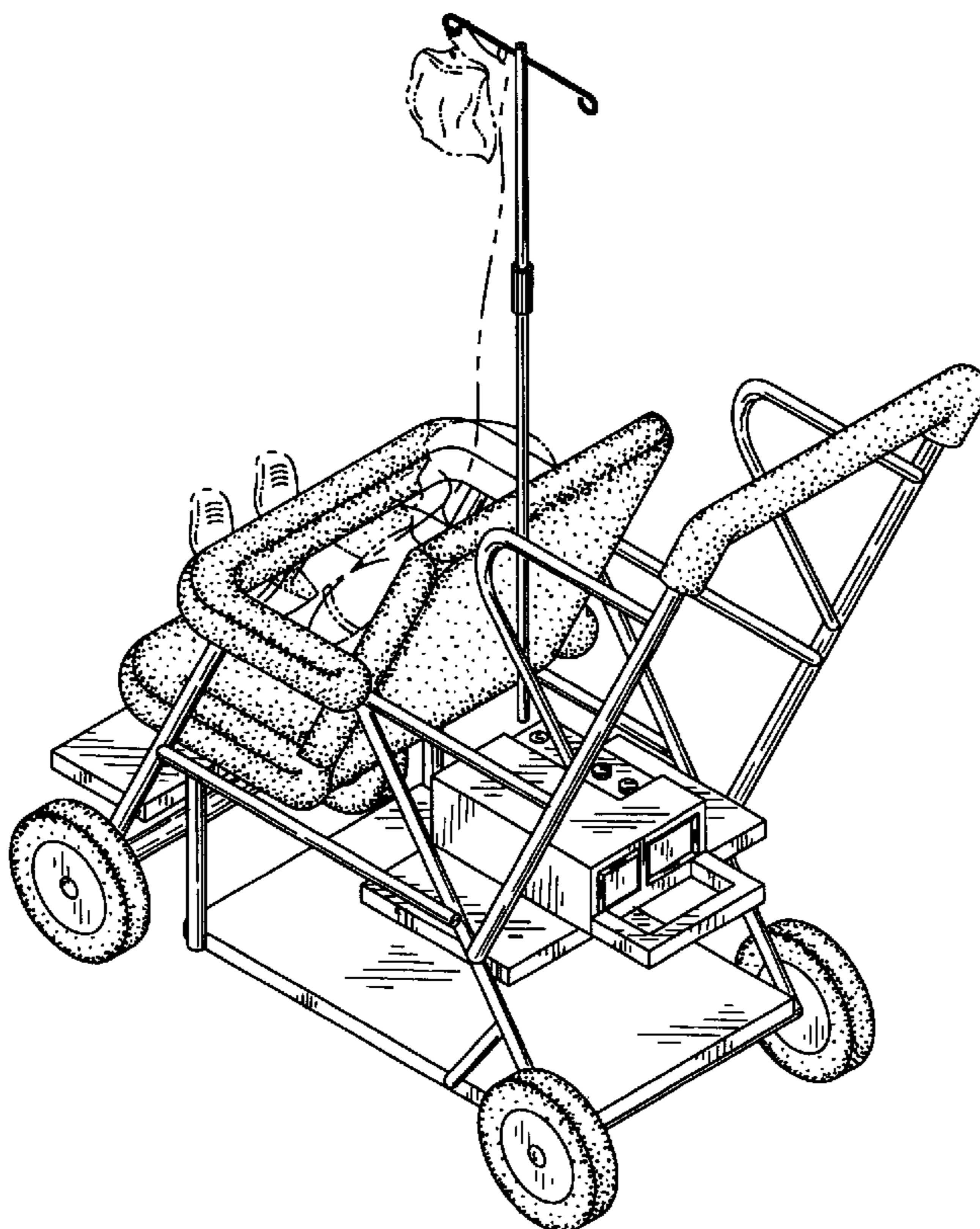


FIG. 1

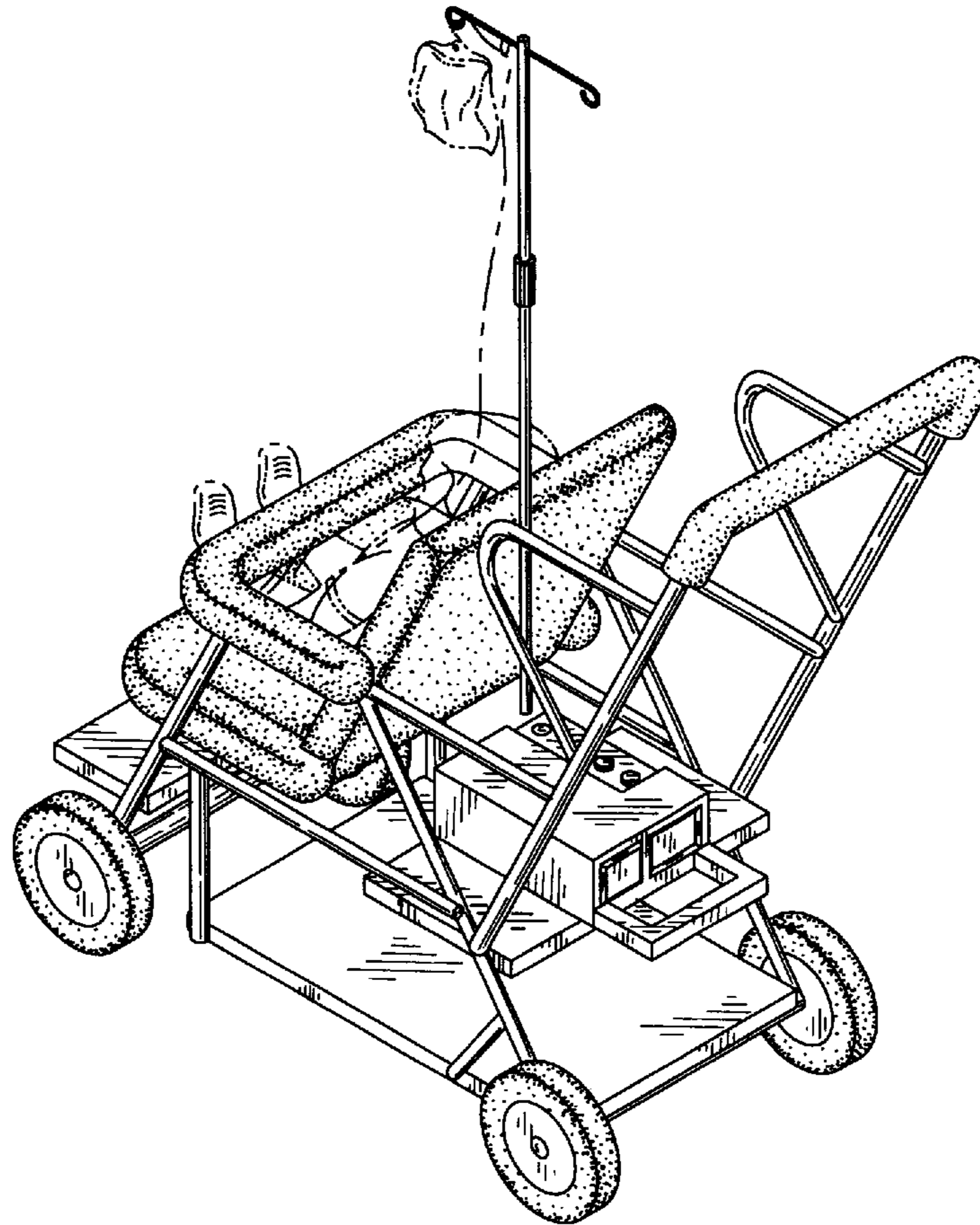
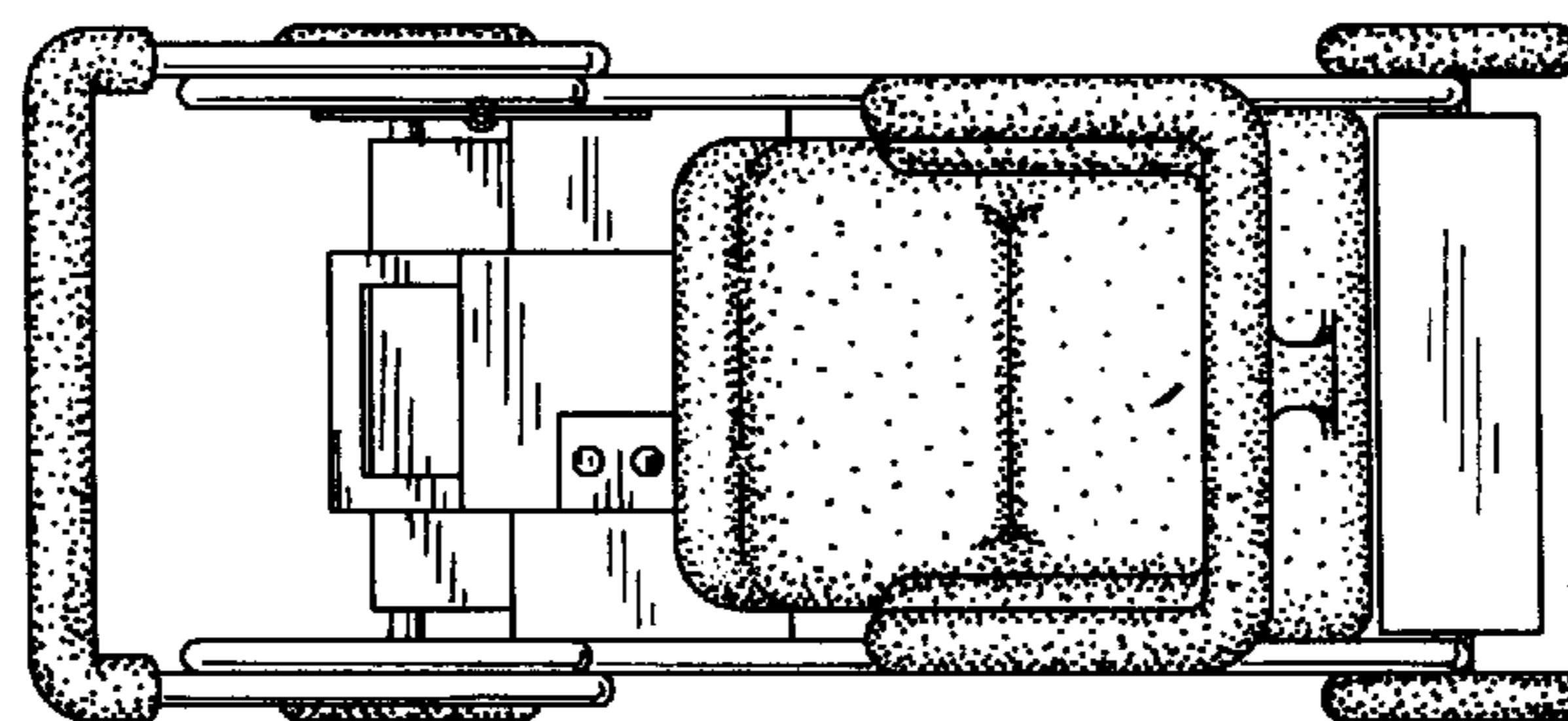


FIG. 2



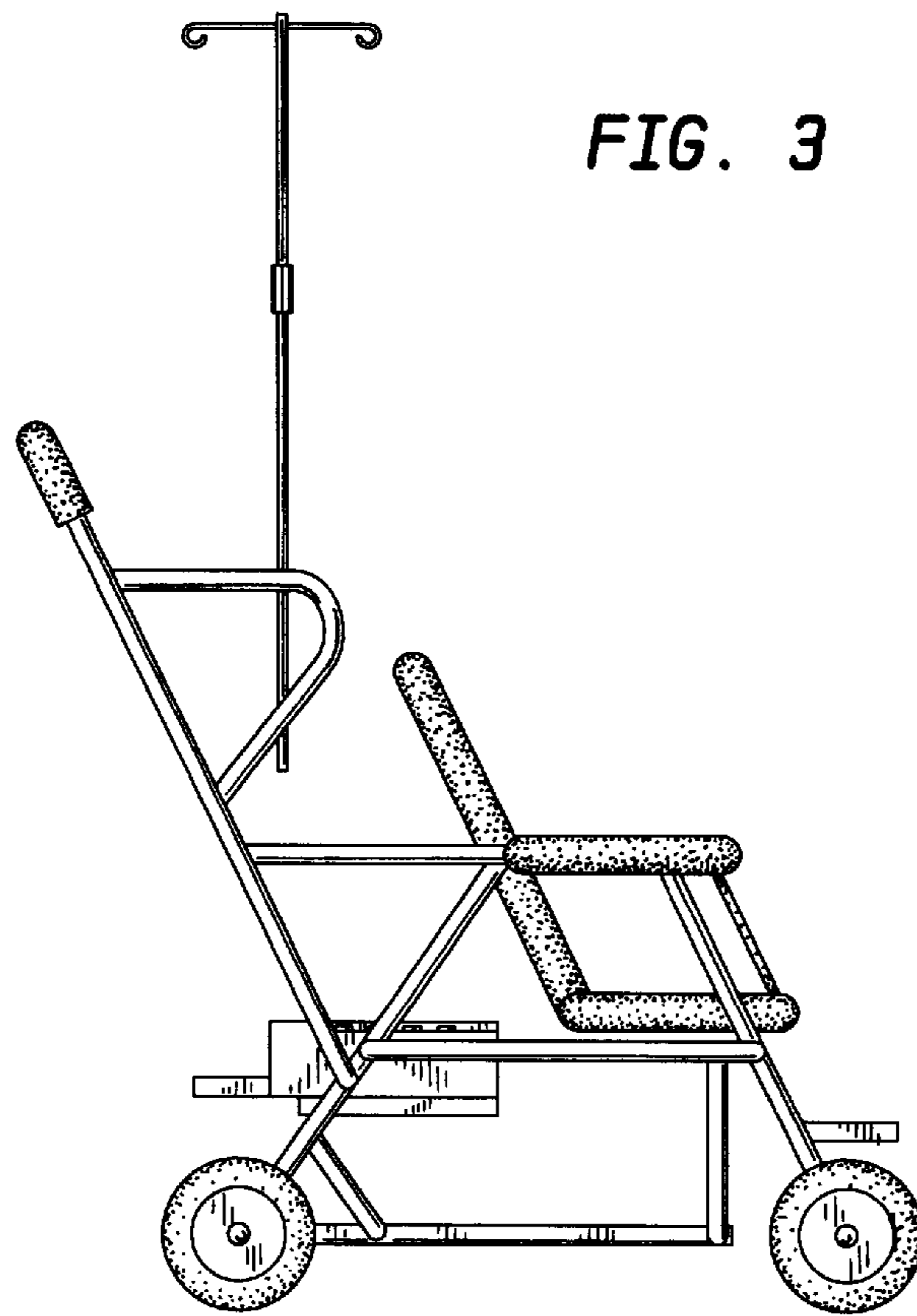


FIG. 4

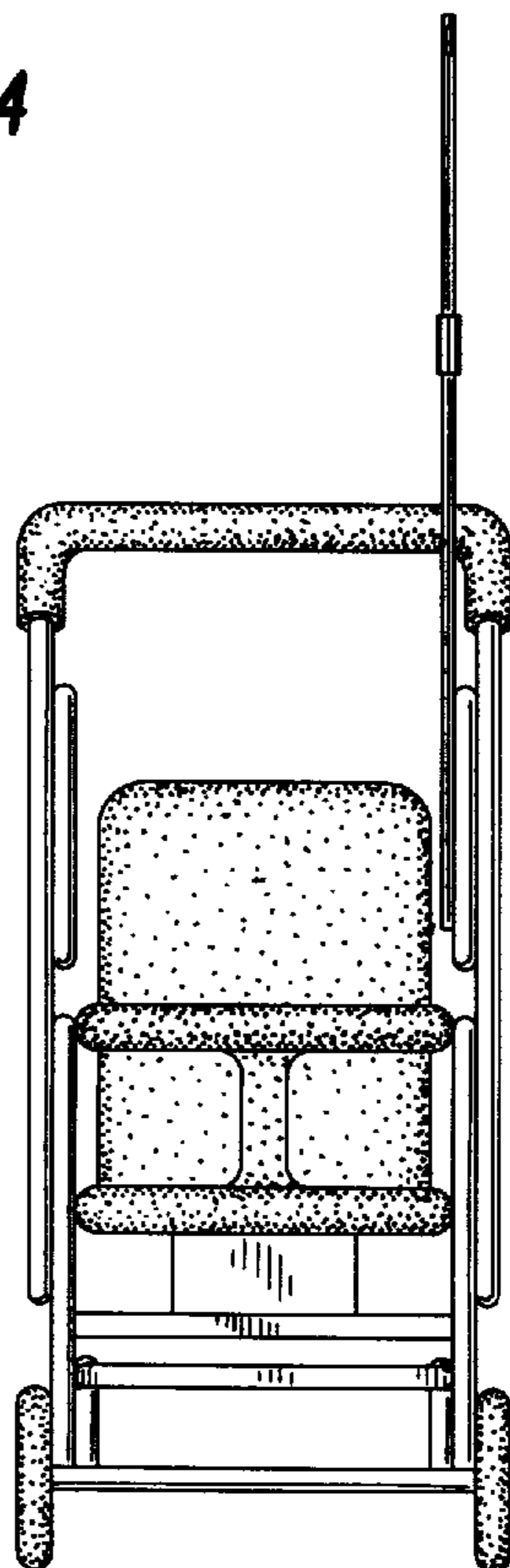


FIG. 5

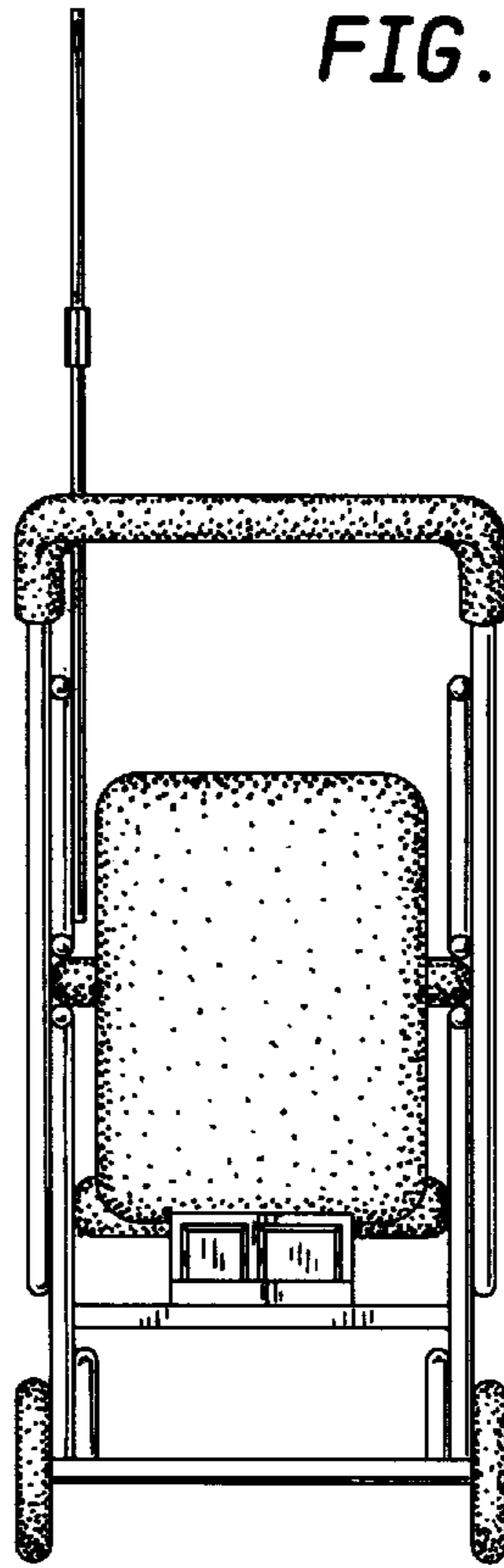


FIG. 6

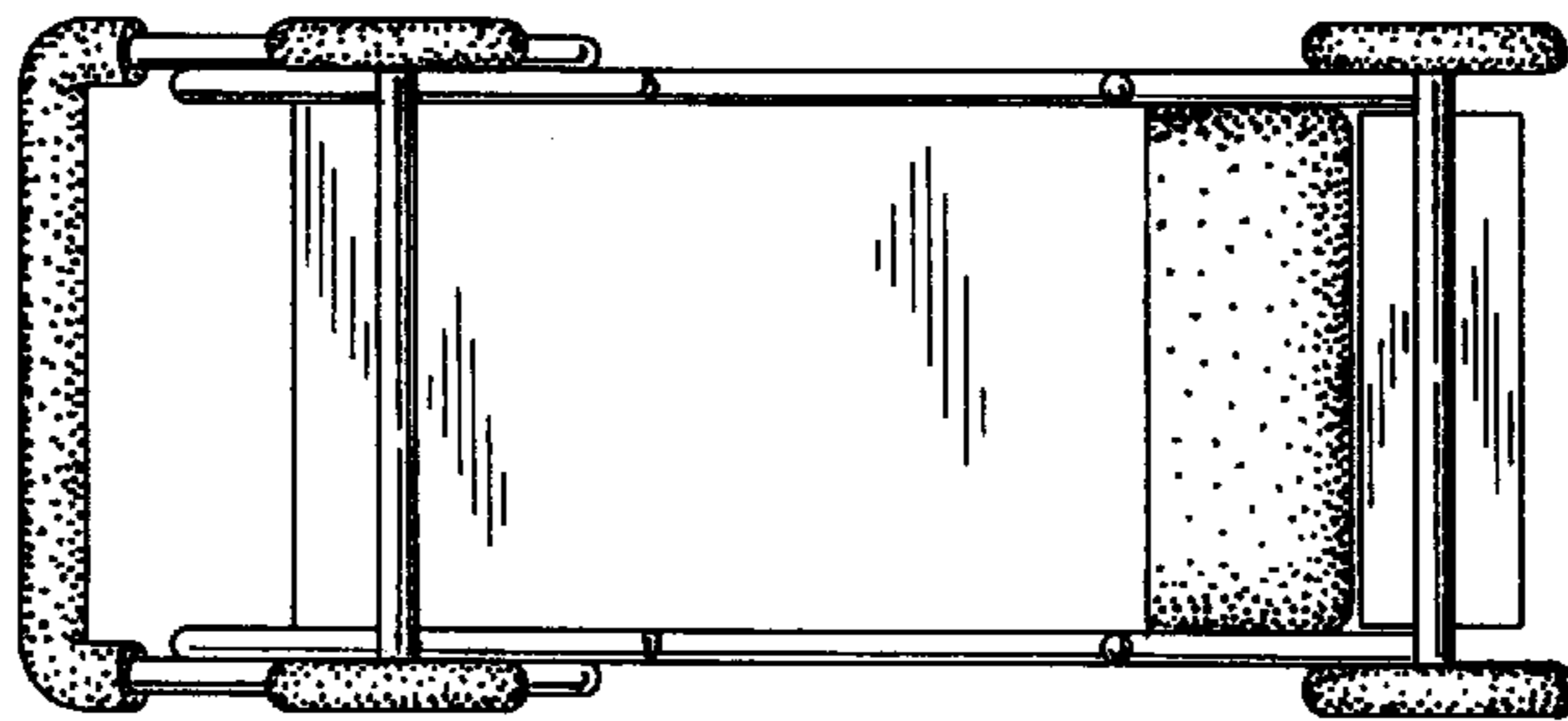


FIG. 7

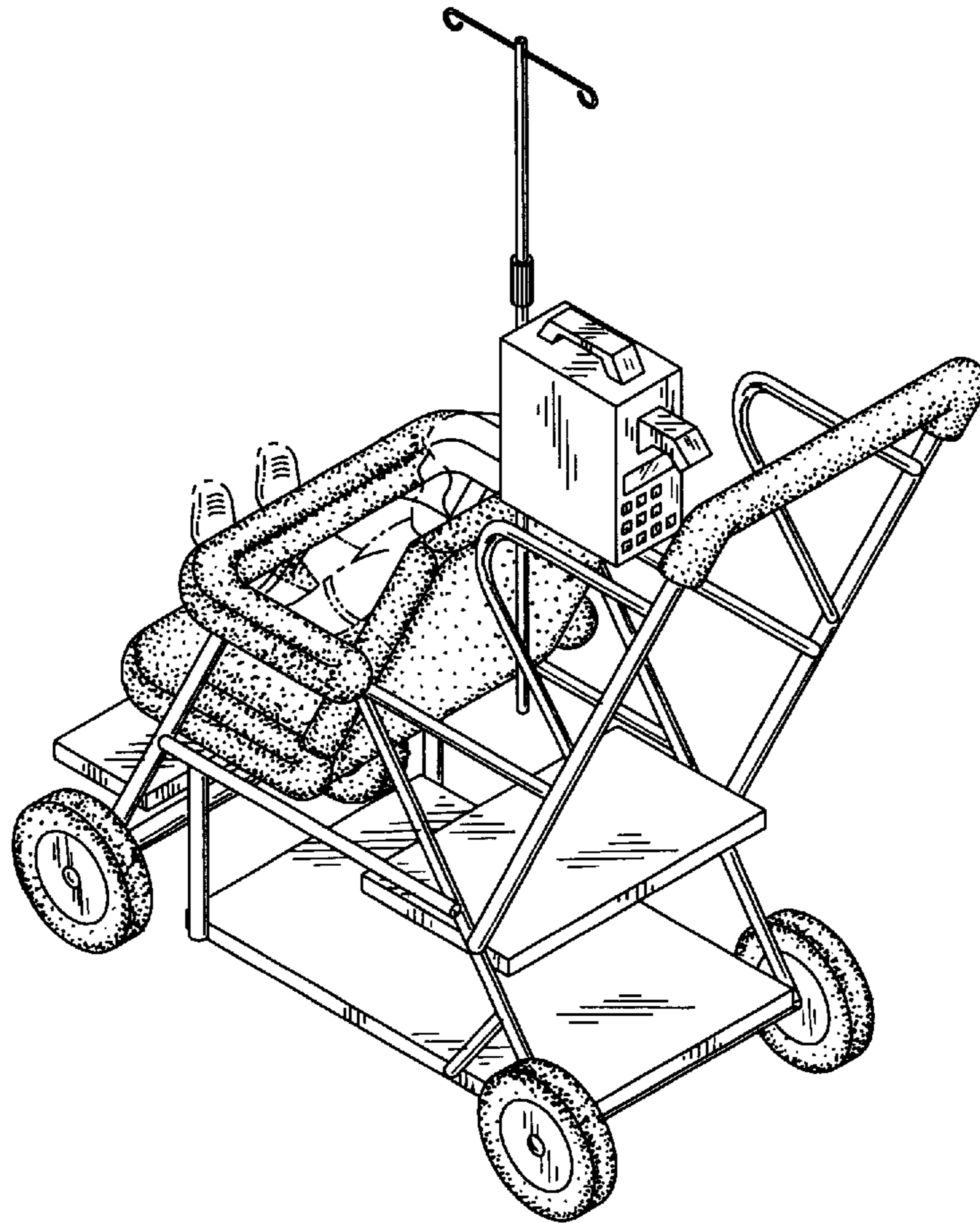
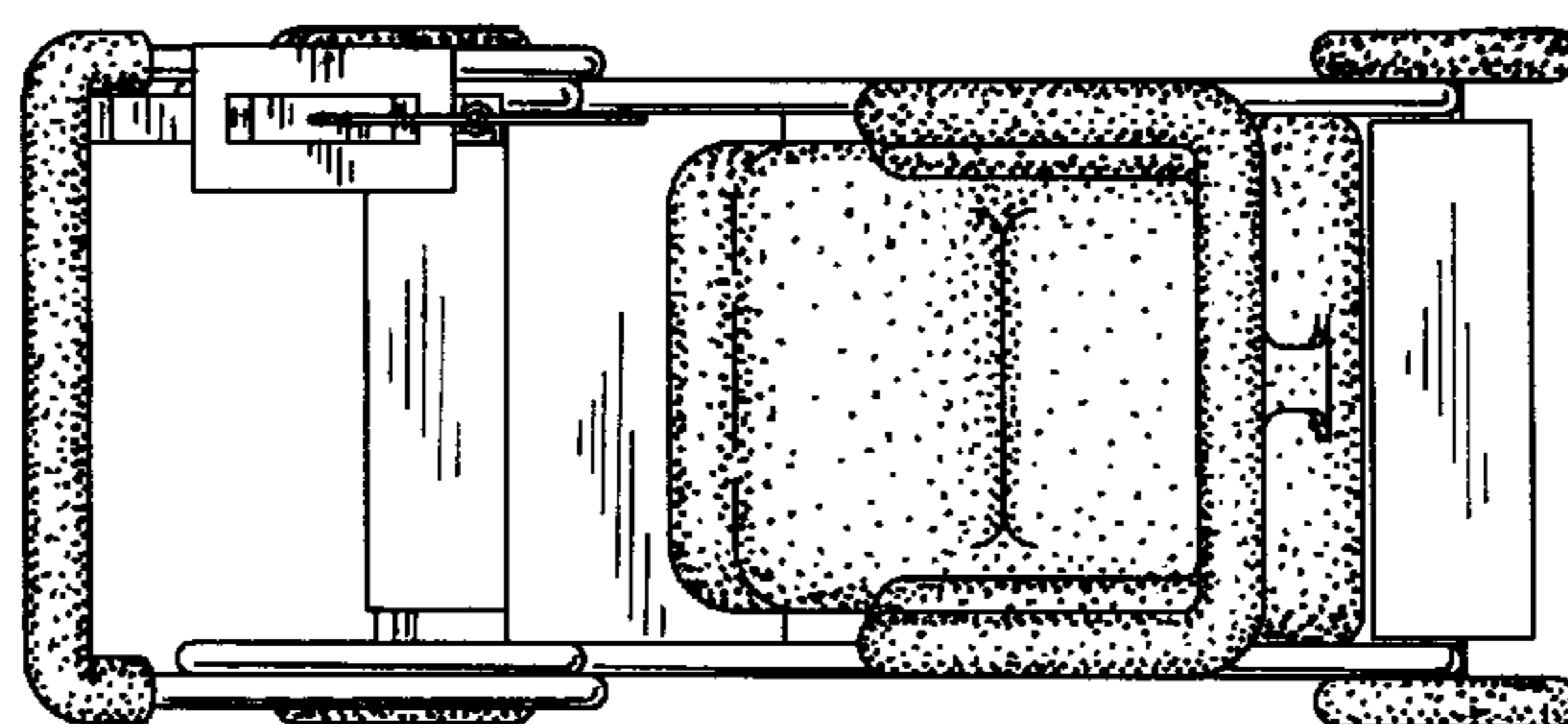


FIG. 8



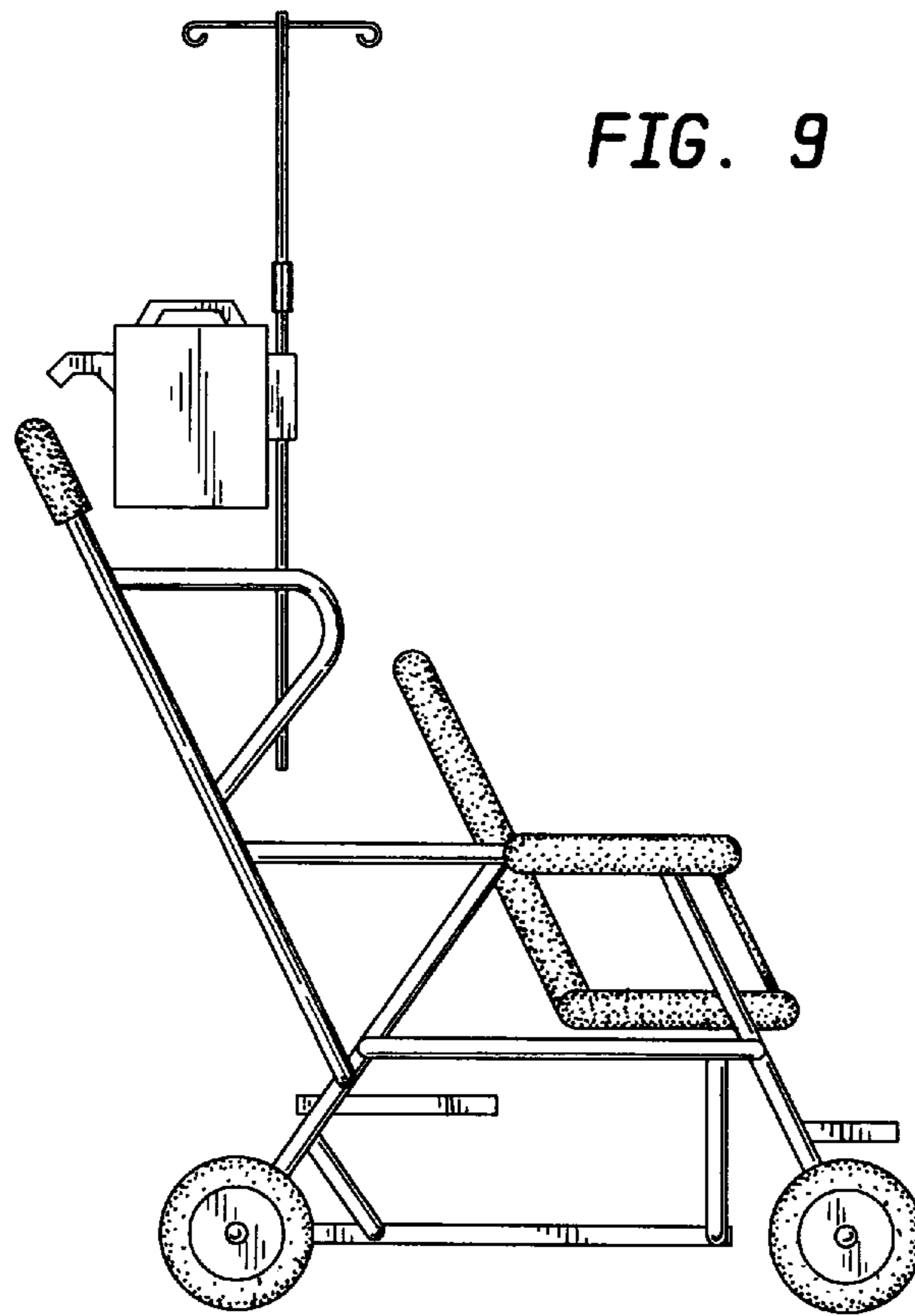


FIG. 10

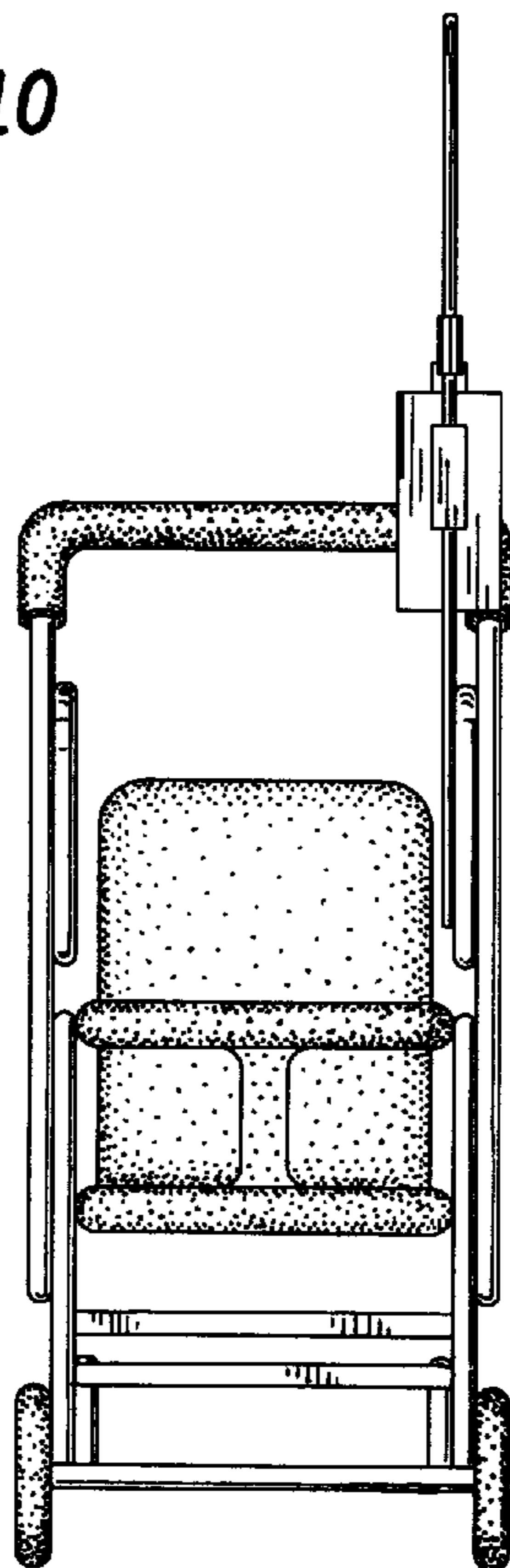


FIG. 11

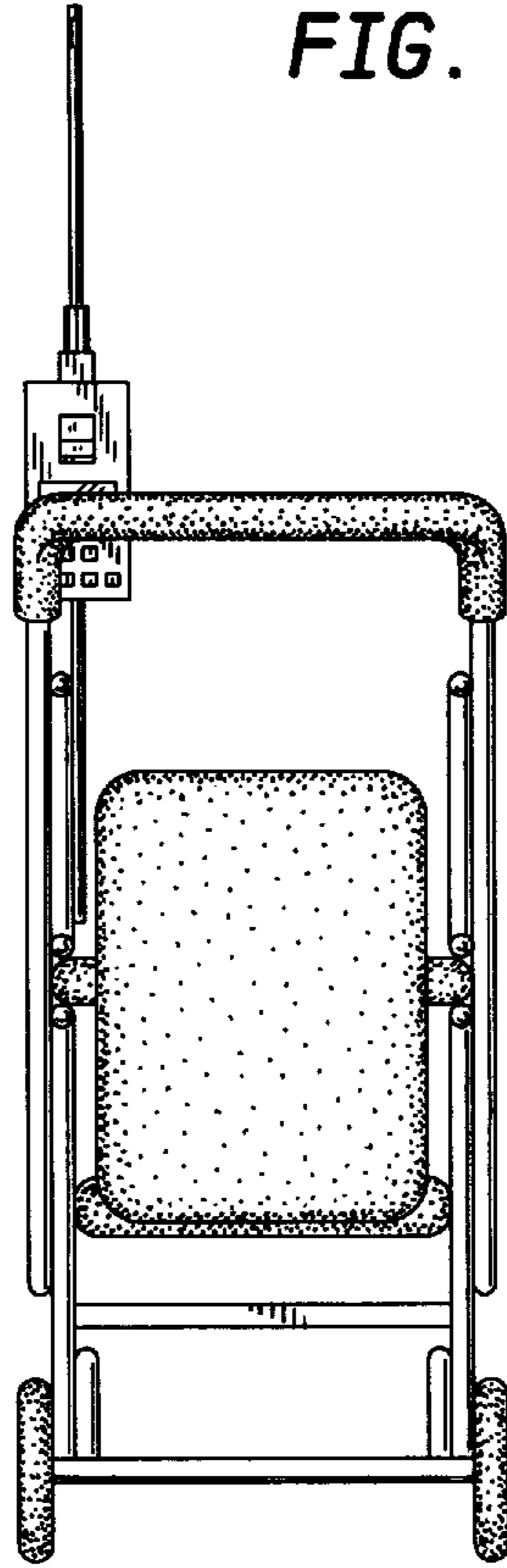


FIG. 12

