



US00D403617S

United States Patent [19]

Zeese

[11] **Patent Number: Des. 403,617**

[45] **Date of Patent: **Jan. 5, 1999**

[54] **FLAGPOLE**

[76] **Inventor: Holly L. Zeese, P.O. Box 1241, West Pt, Va. 23181**

[**] **Term: 14 Years**

[21] **Appl. No.: 84,439**

[22] **Filed: Mar. 3, 1998**

[51] **LOC (6) Cl. 11-05**

[52] **U.S. Cl. D11/181; D11/166**

[58] **Field of Search D11/144, 181, D11/182; 116/173, 63 R; 248/411, 539; D7/548**

[56] **References Cited**

U.S. PATENT DOCUMENTS

Re. 26,779	2/1970	Weichenrieder .	
D. 92,206	5/1934	Reilly	D7/548
D. 132,546	5/1942	Diehl	D11/166
D. 345,947	4/1994	Brown et al. .	
D. 385,508	10/1997	Regier	D11/182
421,784	2/1890	Tallman .	
643,945	2/1900	Clifford .	
1,020,396	3/1912	Blank	D11/182
1,151,658	8/1915	Buckley .	
1,195,224	8/1916	Hoffman .	
2,255,352	9/1941	Greenquest et al.	116/173
2,447,075	8/1948	Madsen .	
2,499,874	3/1950	Peterson .	

2,906,234	9/1959	Scott	116/173
3,242,901	3/1966	Olson	116/173
3,421,473	1/1969	Weichenrieder .	
3,996,882	12/1976	Martin et al. .	
4,843,747	7/1989	Echeberria .	
5,070,809	12/1991	Fox et al. .	
5,291,849	3/1994	Zeitler .	
5,340,065	8/1994	Thomas .	
5,533,464	7/1996	Todd .	

Primary Examiner—M. N. Pandozzi
Attorney, Agent, or Firm—Moore, Foard & Dias; Richard M. Foard, atty.

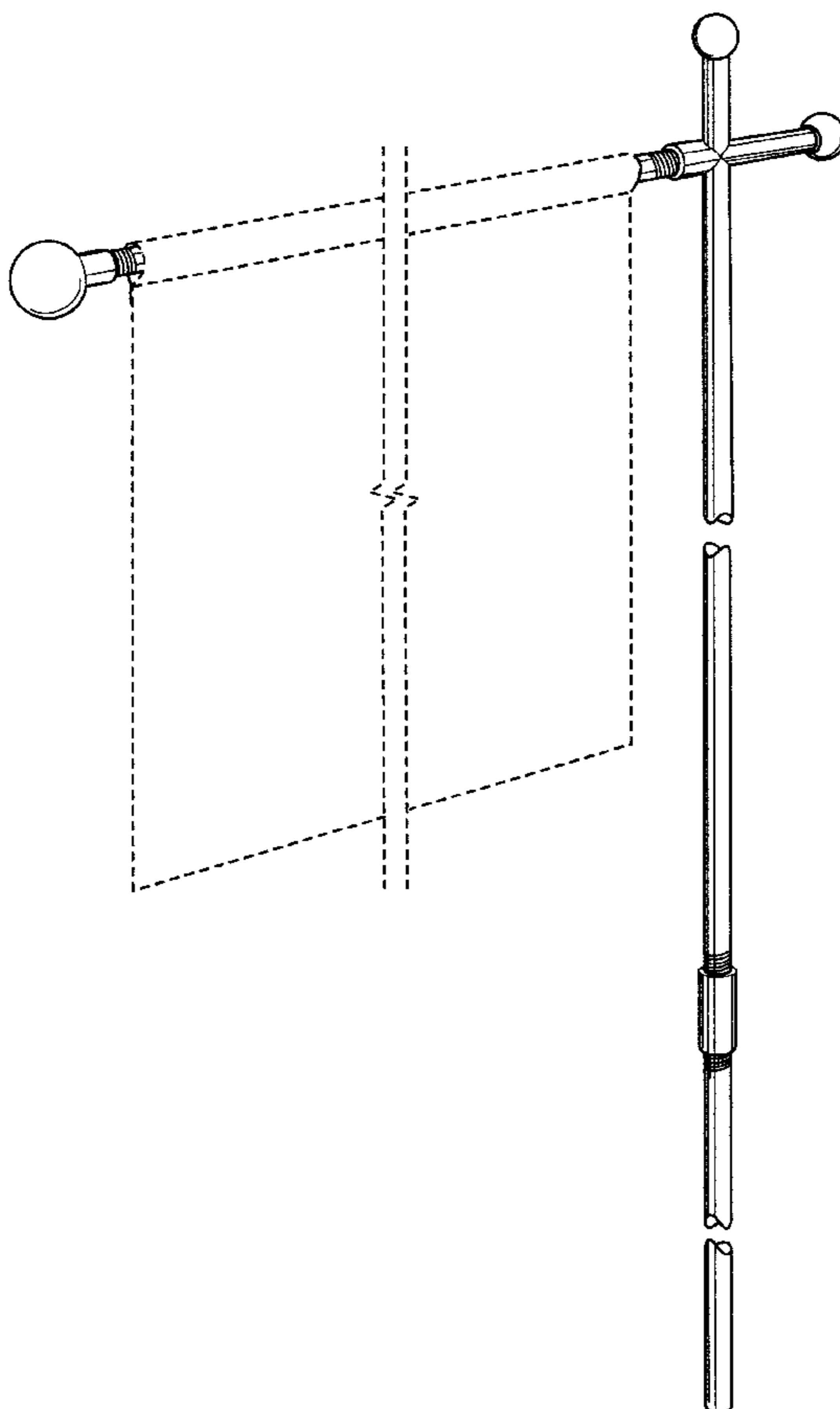
[57] **CLAIM**

The ornamental design for a flagpole, as shown and described.

DESCRIPTION

FIG. 1 is a front elevation view of the flagpole; FIG. 2 is a rear elevation view of the flagpole; FIG. 3 is a right side elevation view of the flagpole; FIG. 4 is a left side elevation view of the flagpole; FIG. 5 is a top view of the flagpole; FIG. 6 is a bottom view of the flagpole; and, FIG. 7 is an in-use perspective view thereof. All broken away portions are to show indeterminate length. The broken line showing of a flag in FIG. 7 is for illustrative purposes only and forms no part of the claimed design.

1 Claim, 3 Drawing Sheets



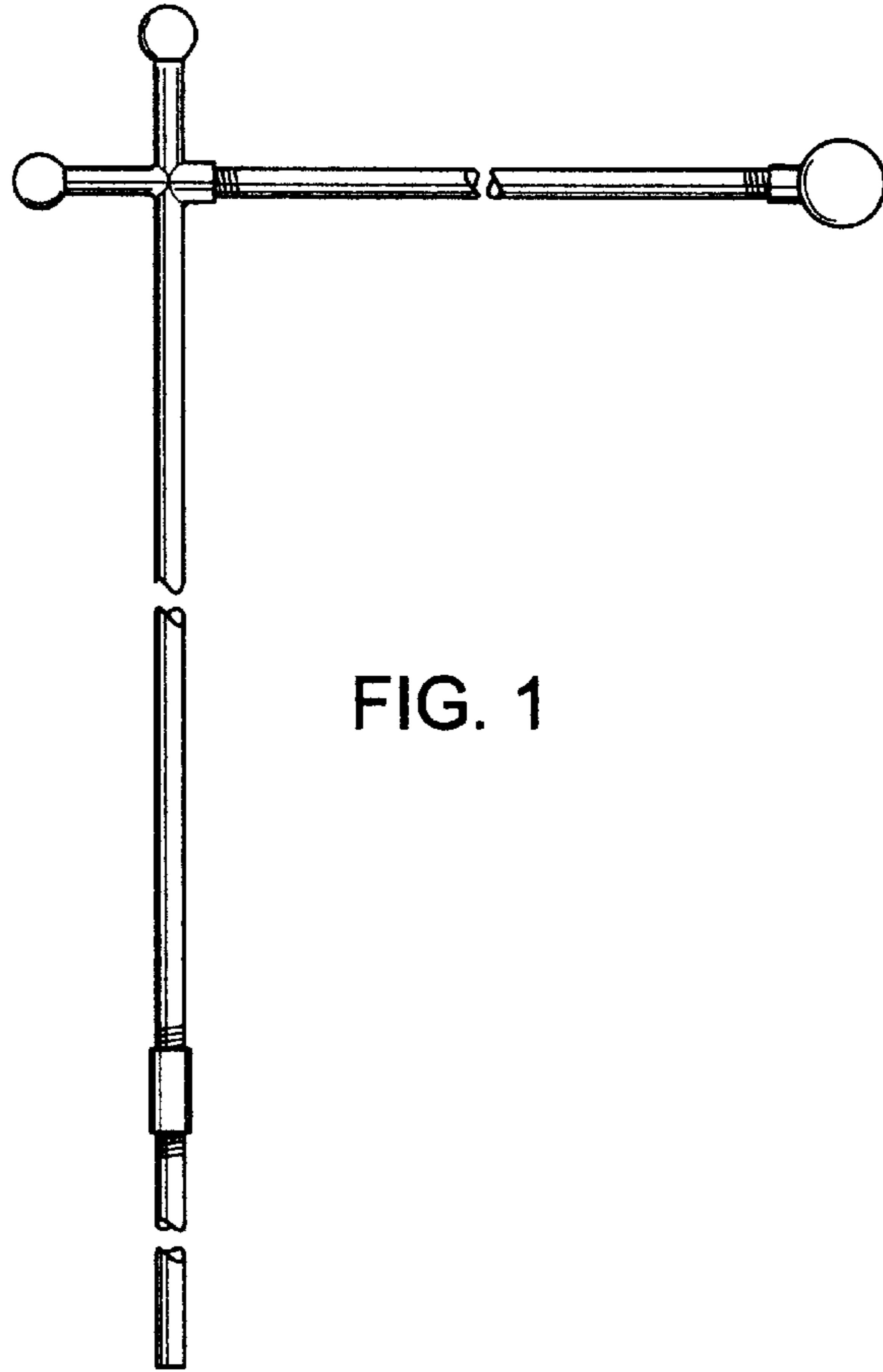


FIG. 1

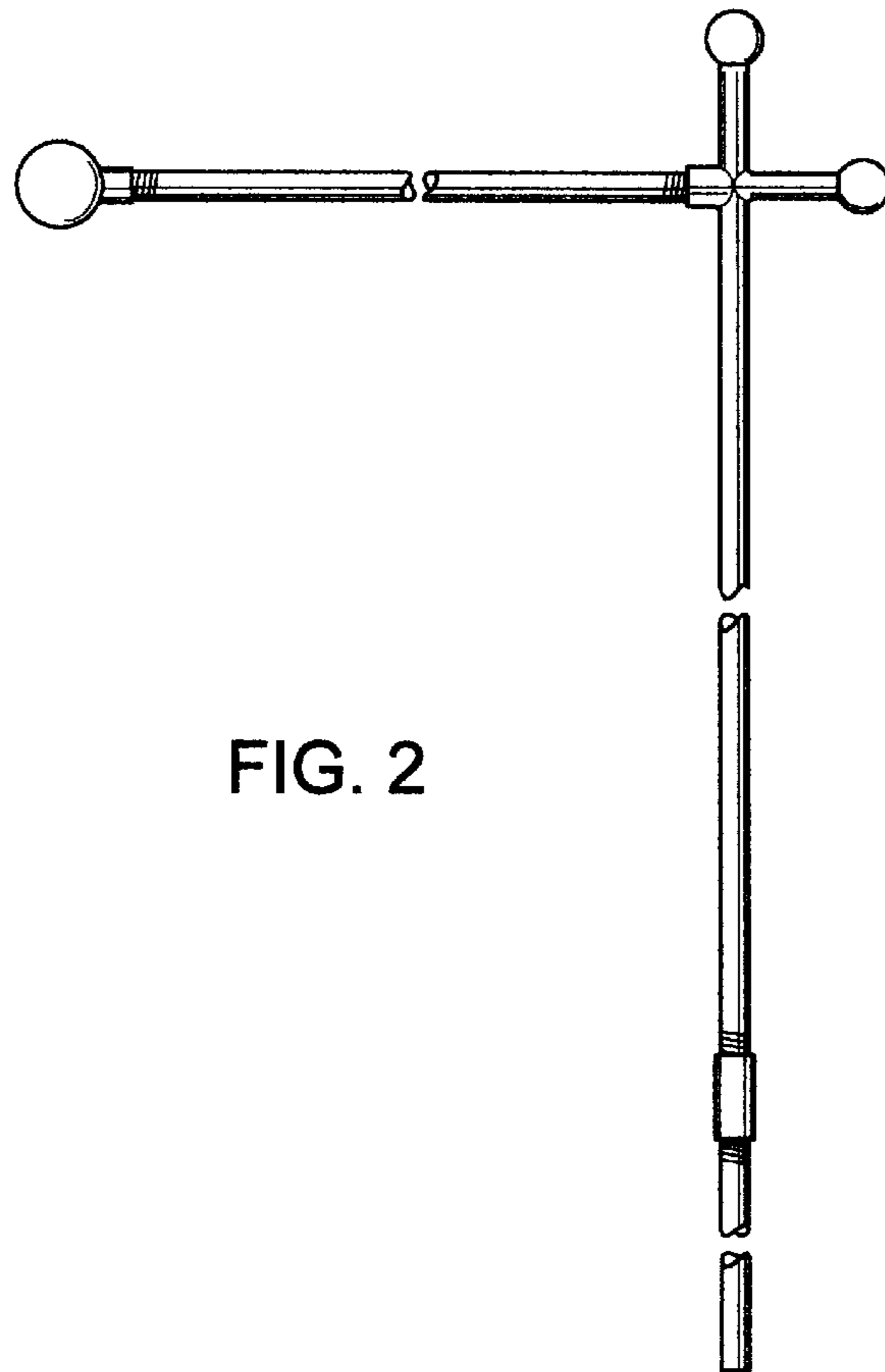


FIG. 2



FIG. 3



FIG. 4

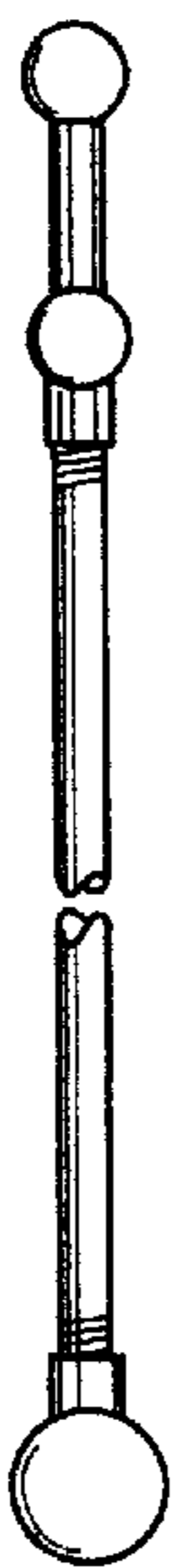


FIG. 5

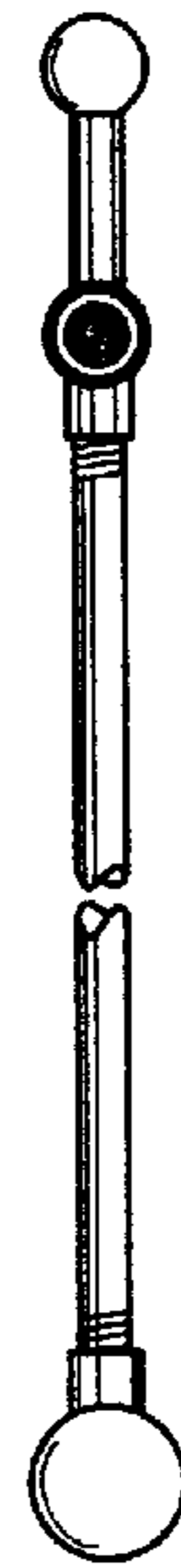


FIG. 6

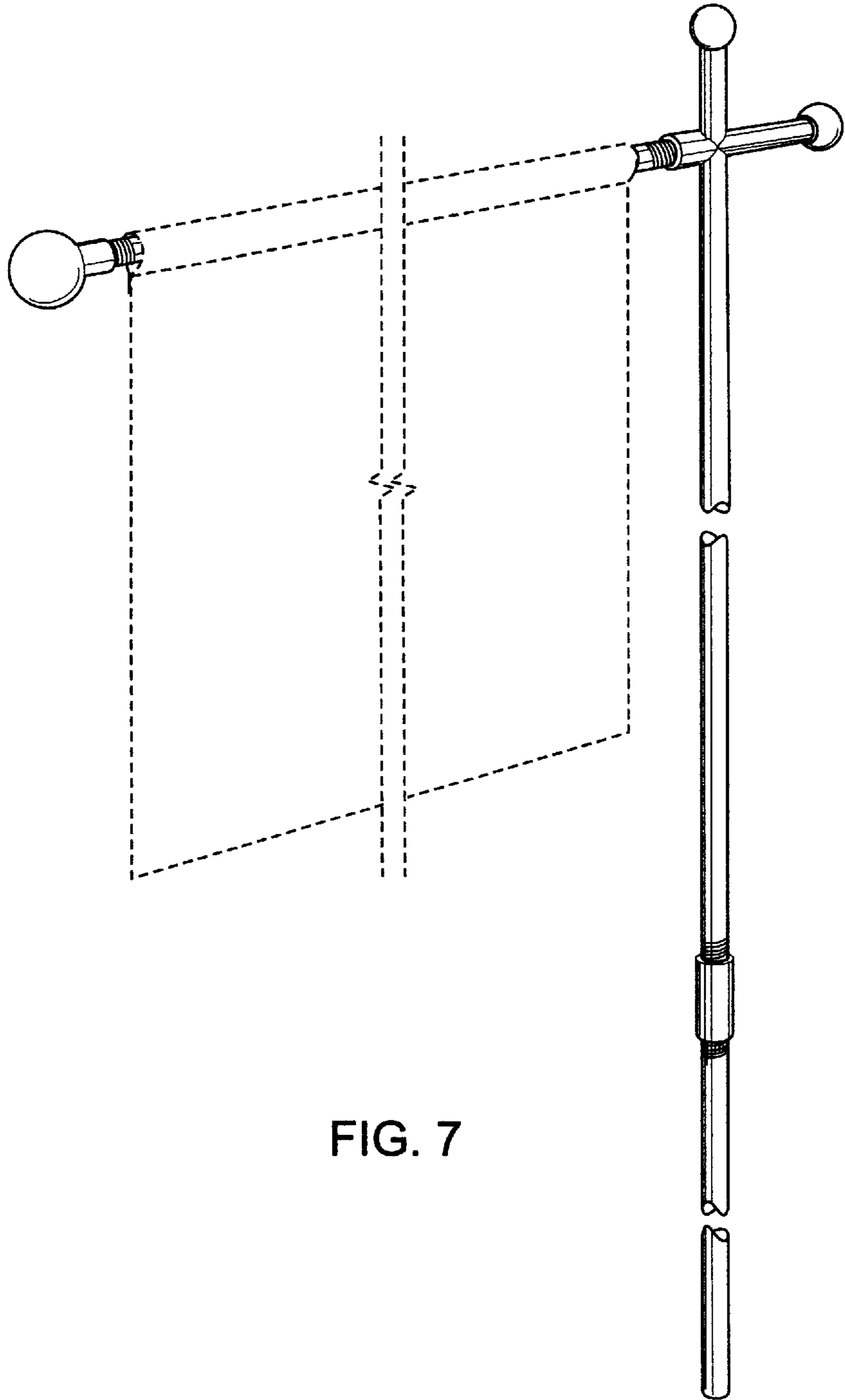


FIG. 7