



US00D403613S

# United States Patent [19] Shaw

[11] **Patent Number: Des. 403,613**

[45] **Date of Patent: \*\*Jan. 5, 1999**

[54] **AUTOMATIC SELF WATERING PLANT POT**

[76] Inventor: **Harkeem Shaw**, 573 Buchanan St.,  
Hillside, N.J. 07205

[\*\*] Term: **14 Years**

[21] Appl. No.: **75,500**

[22] Filed: **Aug. 18, 1997**

[51] **LOC (6) Cl. .... 11-02**

[52] **U.S. Cl. .... D11/143**

[58] **Field of Search .... D11/143, 144,  
D11/145, 146, 152, 153, 154, 155; 47/65.5,  
66.6, 79, 80, 81, 39, 41.01; 206/423**

[56] **References Cited**

**U.S. PATENT DOCUMENTS**

D. 168,823	2/1953	Blazey .....	D11/152
D. 235,364	6/1975	Fassauer .....	D11/146
D. 239,405	3/1976	Daenen et al. ....	D11/154
2,638,716	5/1953	Luipersbek .....	47/79
2,870,574	1/1959	Sheridan .....	47/62 E

4,211,037	7/1980	Green .....	47/80
4,885,869	12/1989	Kim .....	47/79
5,181,951	1/1993	Cosse .....	71/64.11
5,352,253	10/1994	Gritching .....	47/81 X
5,385,300	1/1995	Sims .....	239/74
5,425,198	1/1995	Coy .....	47/79 X

*Primary Examiner*—Caron D. Veynar

[57] **CLAIM**

The ornamental design for an automatic self-watering plant pot, as shown and described.

**DESCRIPTION**

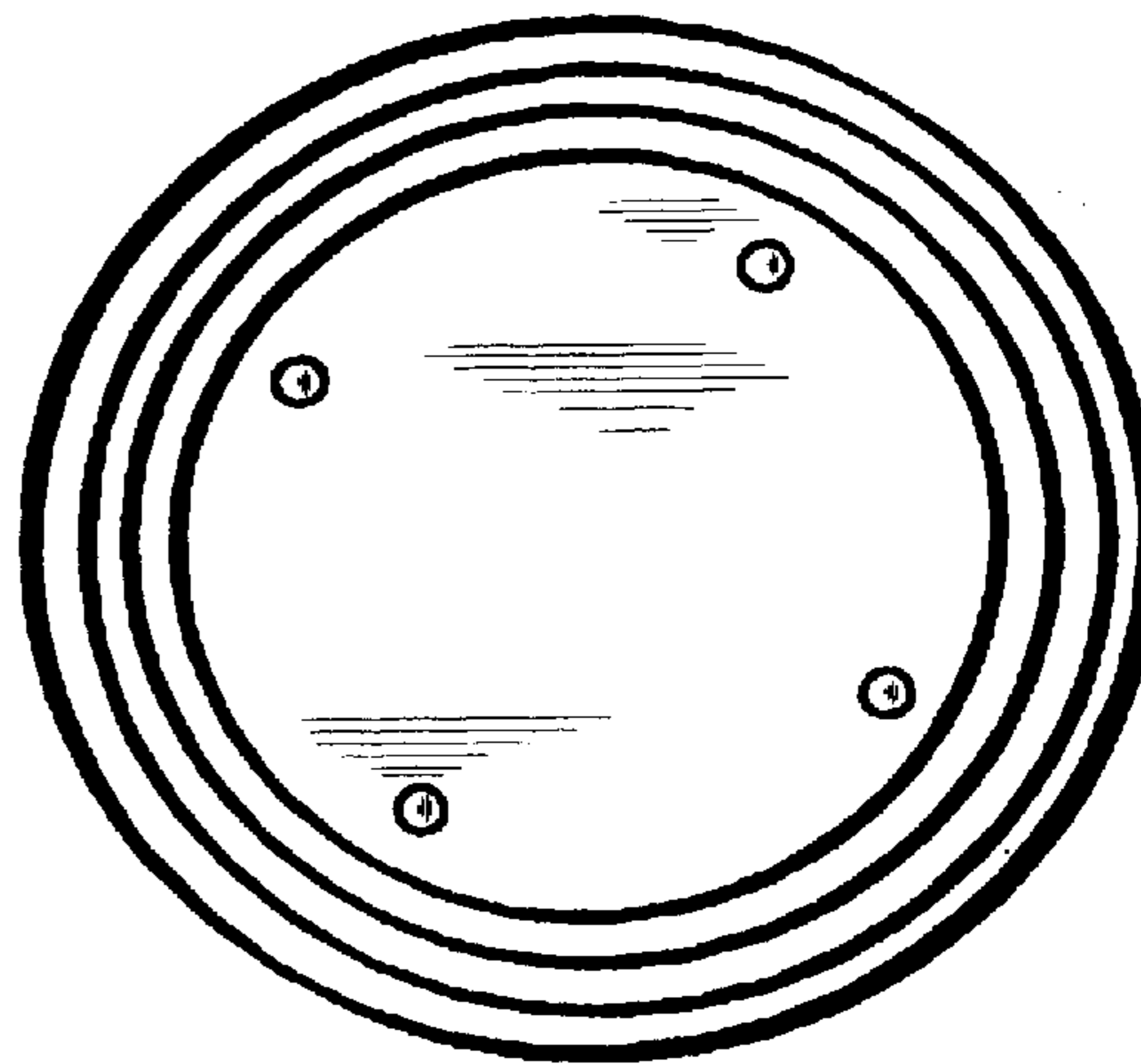
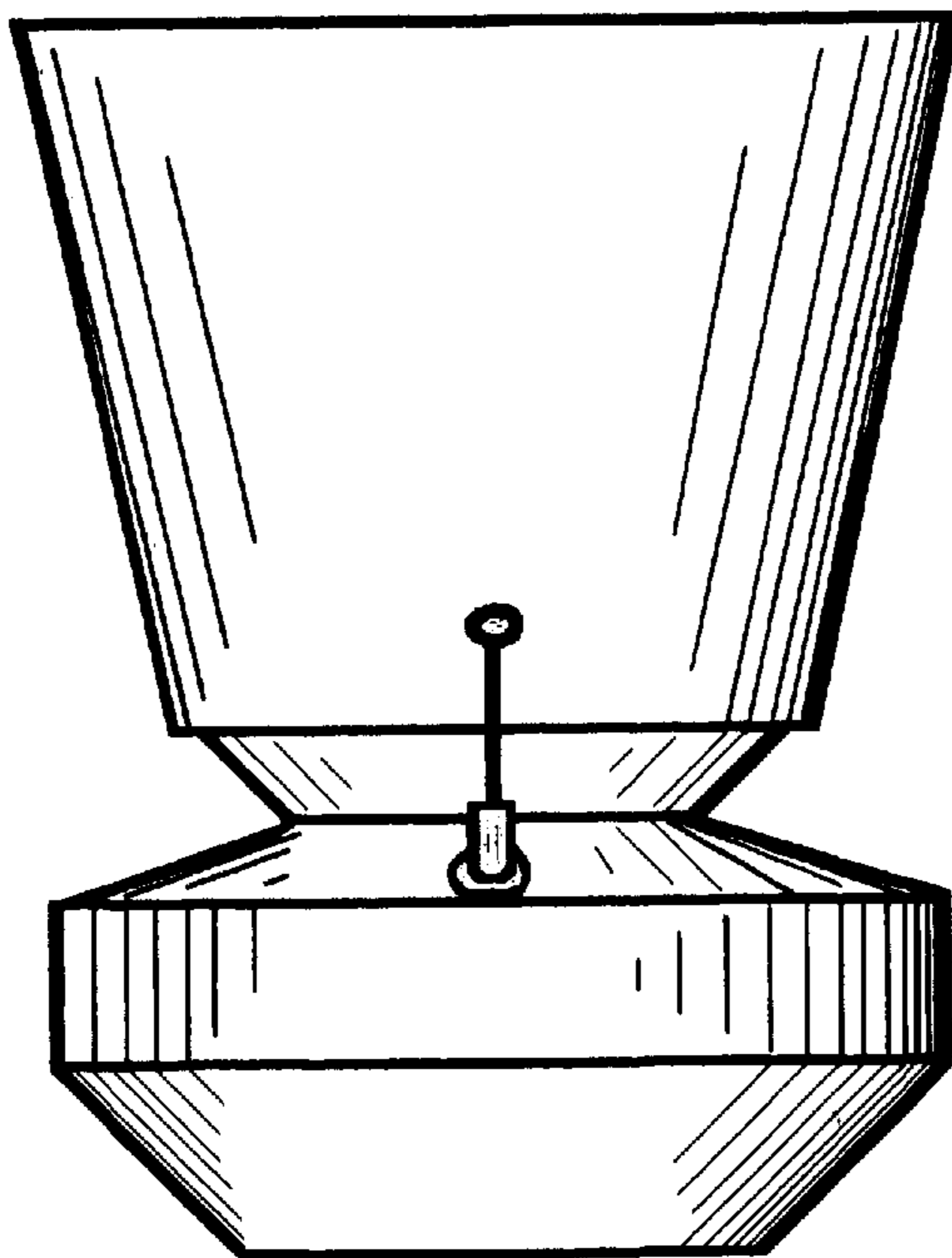
FIG. 1 is a front elevational view of the self-watering plant pot showing my new design;

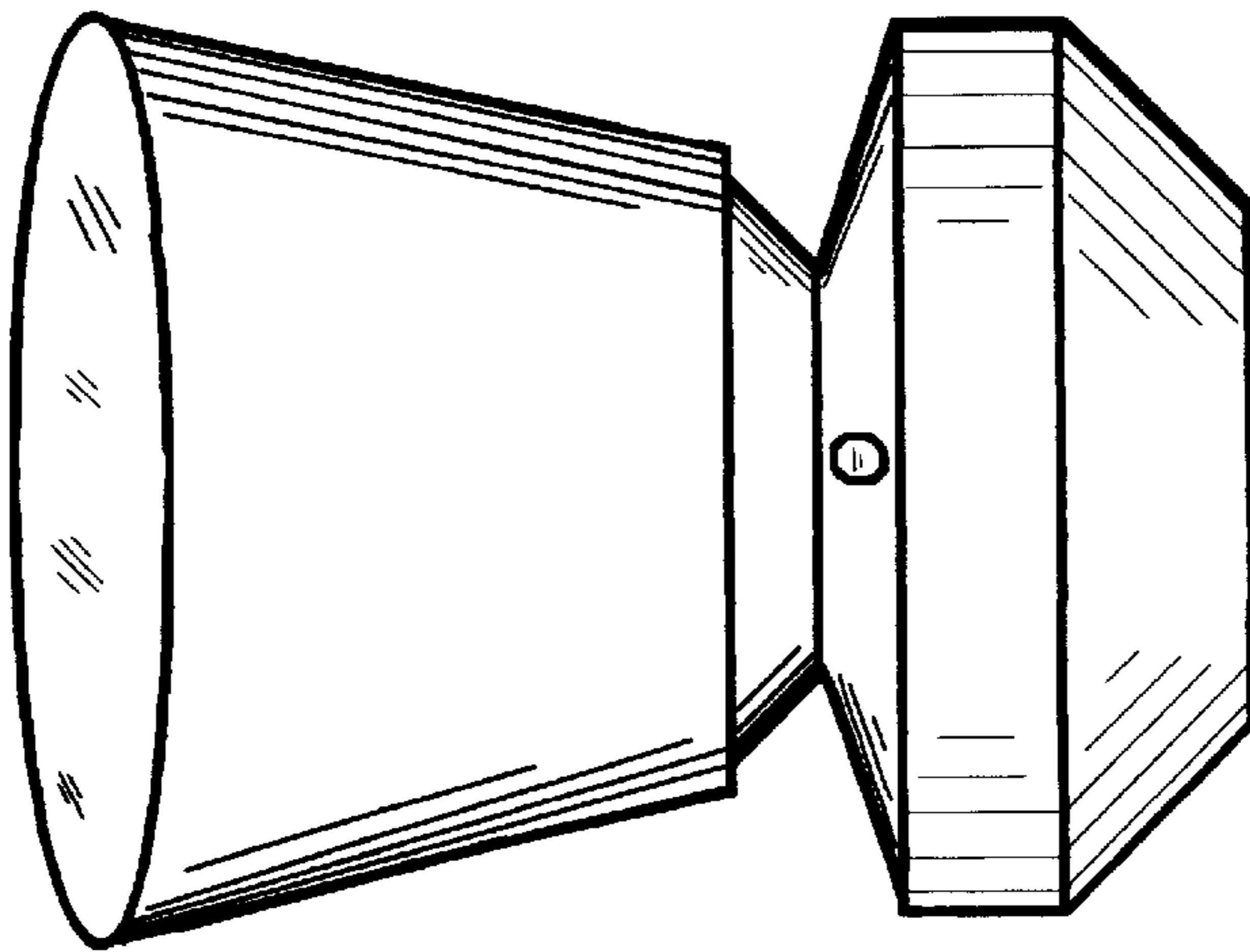
FIG. 2 is a top plan view thereof, and the bottom of the self-watering plant pot is flat and forms no part of the claimed design;

FIG. 3 is a rear elevational view; and,

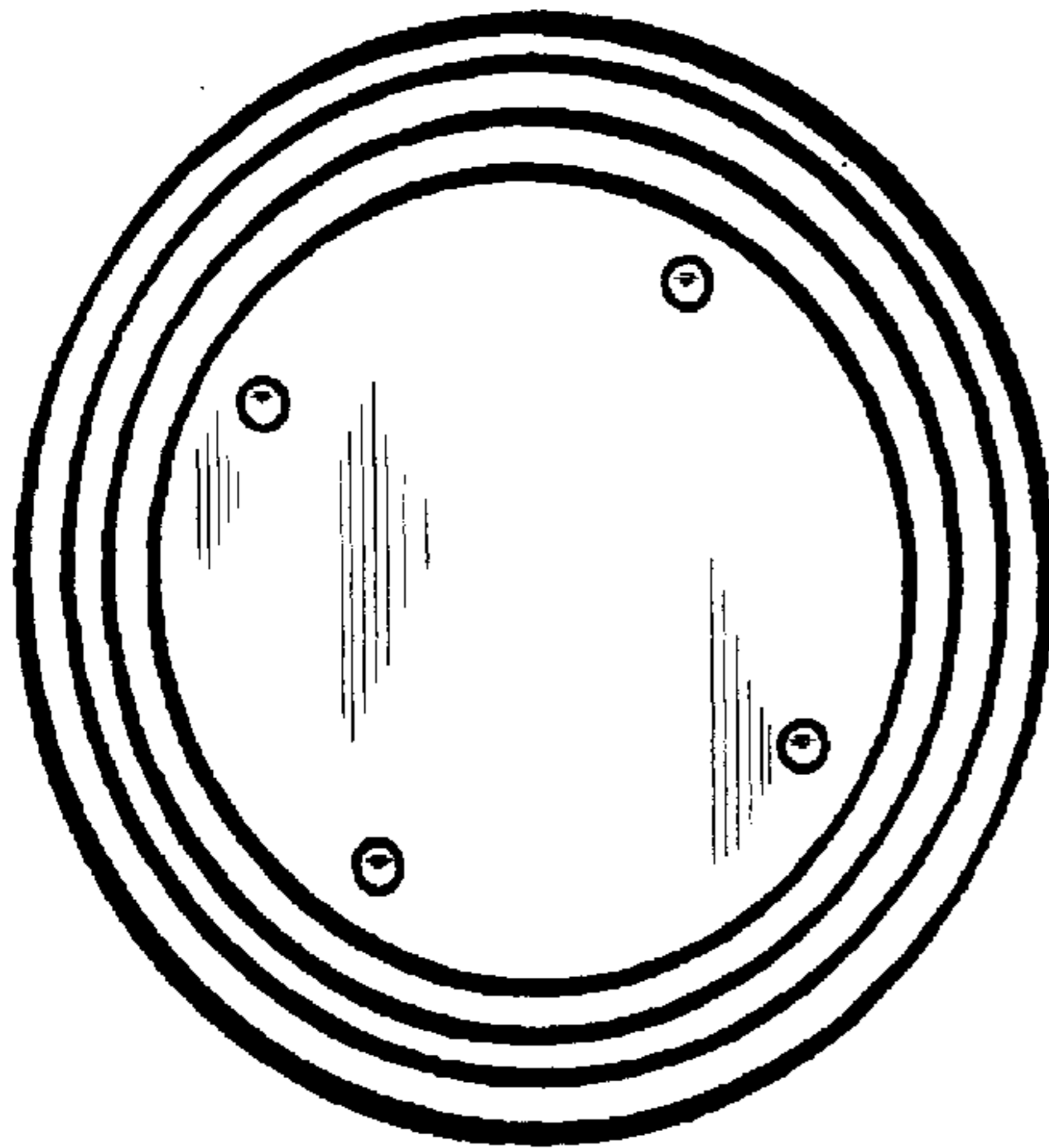
FIG. 4 is a left side elevational view thereof.

**1 Claim, 1 Drawing Sheet**

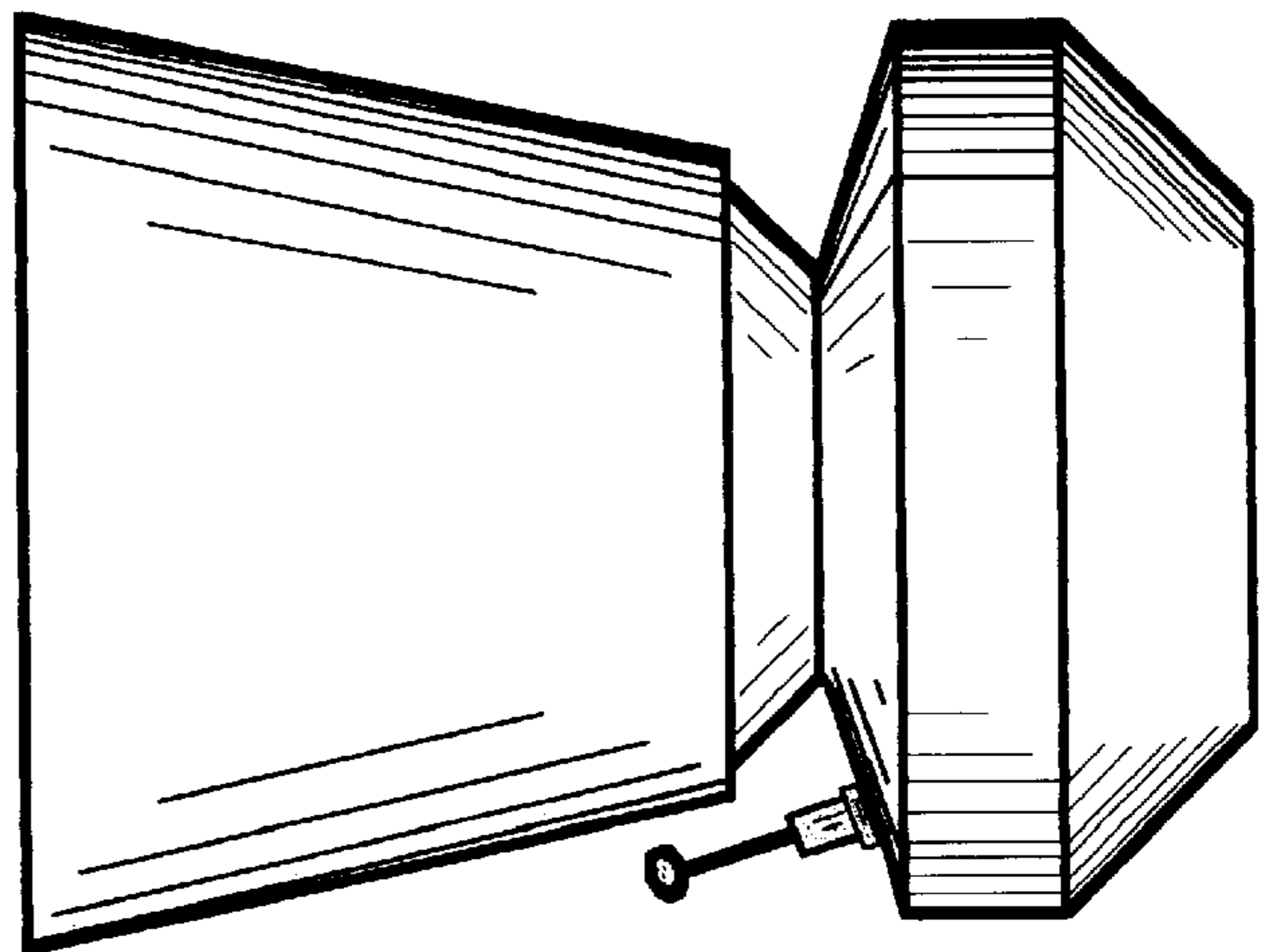




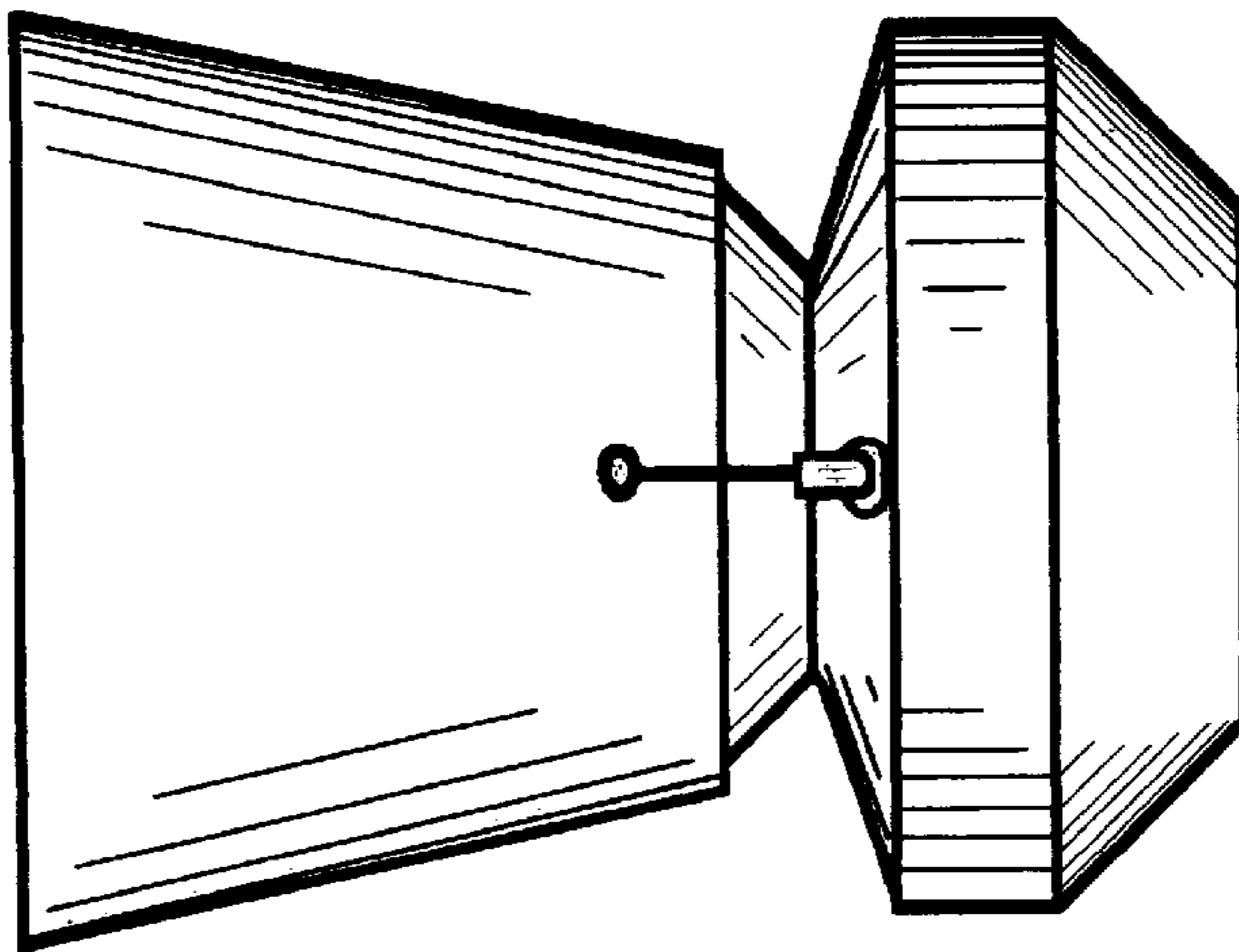
**FIG. 3**



**FIG. 2**



**FIG. 4**



**FIG. 1**