



US00D403612S

United States Patent [19] Ziebart

[11] **Patent Number: Des. 403,612**

[45] **Date of Patent: **Jan. 5, 1999**

[54] **PLAQUE**

[76] Inventor: **Stanley Linus Ziebart**, 4300-27th Avenue, Vernon, British Columbia, Canada, V1T 6L3

[**] Term: **14 Years**

[21] Appl. No.: **66,993**

[22] Filed: **Mar. 5, 1997**

[51] **LOC (6) Cl.** **11-02**

[52] **U.S. Cl.** **D11/133**

[58] **Field of Search** D11/131, 133;
D21/733; D22/139; 428/913.3

[56] **References Cited**

U.S. PATENT DOCUMENTS

- D. 43,699 3/1913 Mahloch D11/133
- D. 266,939 11/1982 Brammell D22/139

- D. 310,184 8/1990 Dutko D11/133
- D. 356,977 4/1995 Roethler D11/133
- 4,852,930 8/1989 Agee 428/913.3

Primary Examiner—Dominic Simone
Attorney, Agent, or Firm—Antony C. Edwards

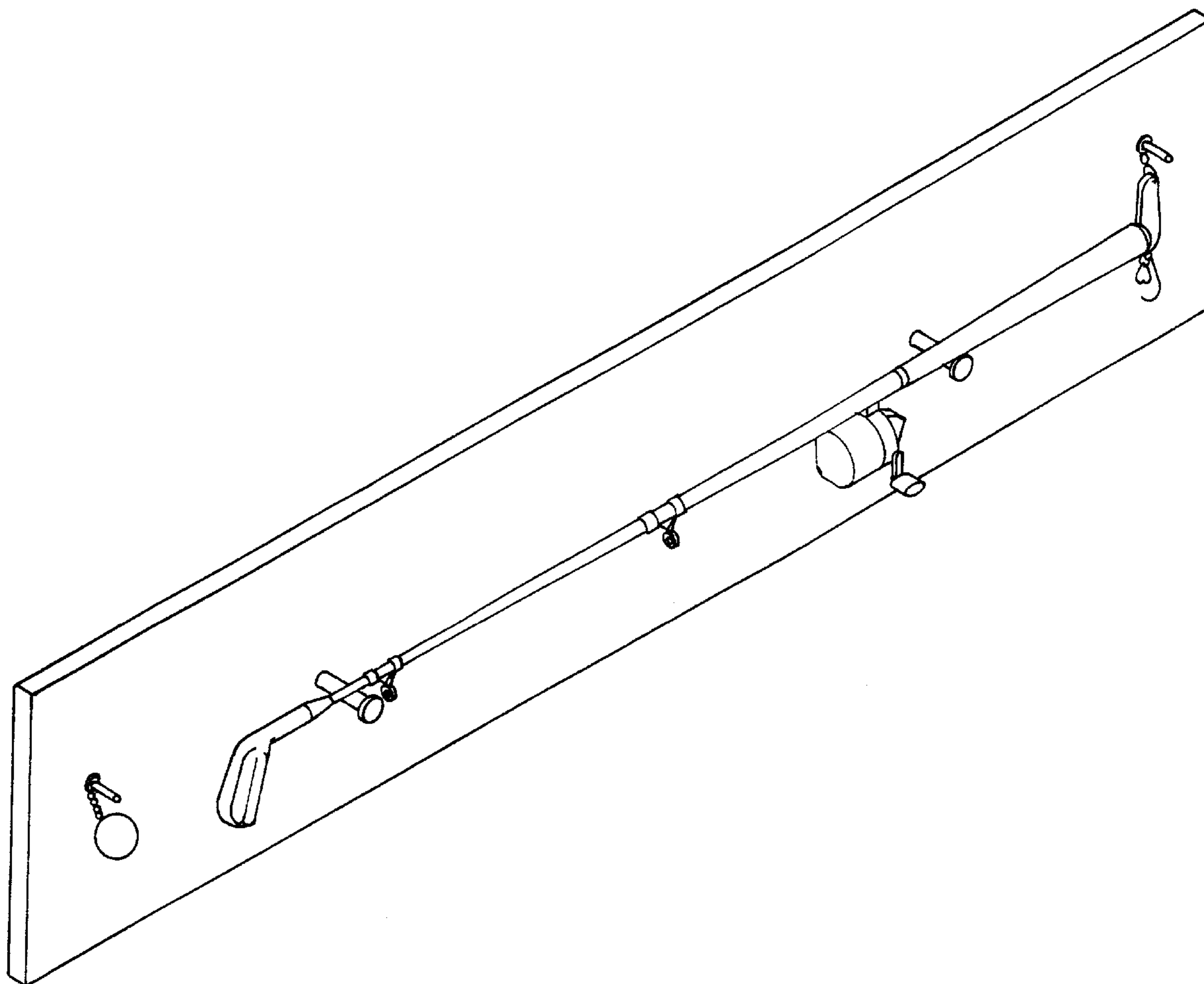
[57] **CLAIM**

The ornamental design for a plaque.

DESCRIPTION

FIG. 1 is, in perspective view, the plaque of the present design;
 FIG. 2 is, in top plan view, the design of FIG. 1;
 FIG. 3 is, in front elevation view, the design of FIG. 1;
 FIG. 4 is, in right side elevation view, the design of FIG. 1;
 FIG. 5 is, in bottom plan view, the design of FIG. 1;
 FIG. 6 is, in rear elevation view, the design of FIG. 1; and,
 FIG. 7 is, in left side elevation view, the design of FIG. 1.

1 Claim, 3 Drawing Sheets



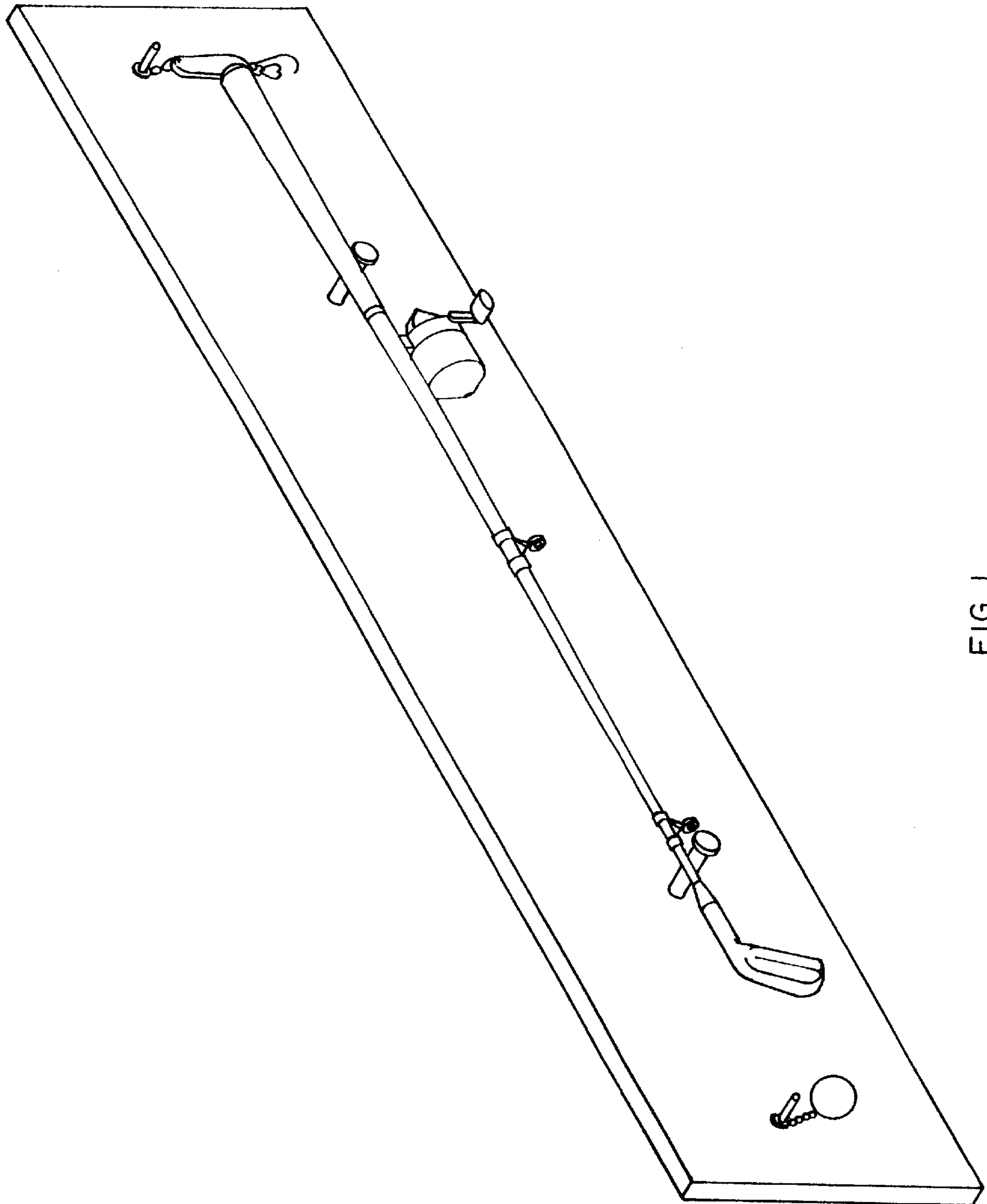


FIG. 1

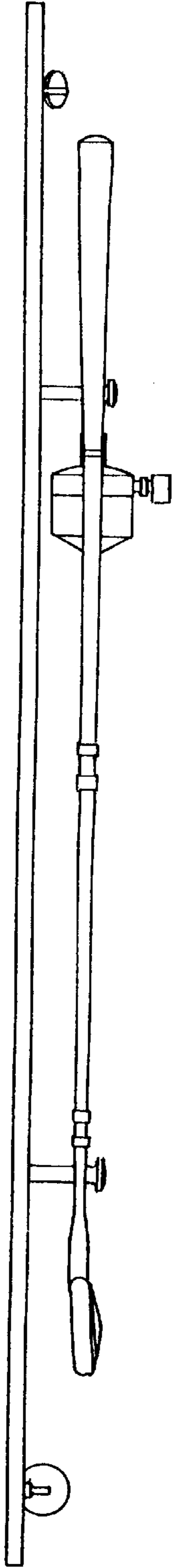


FIG. 2

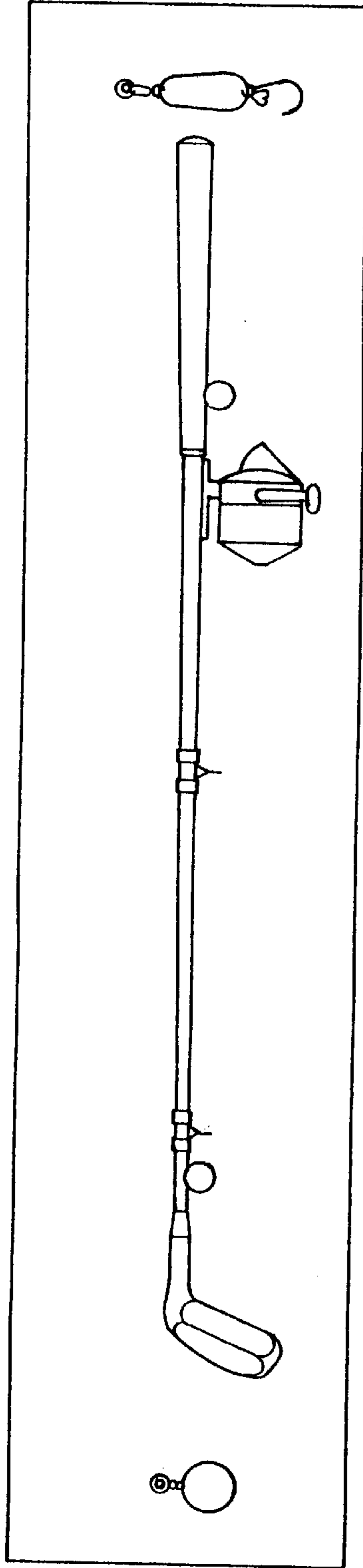


FIG. 3

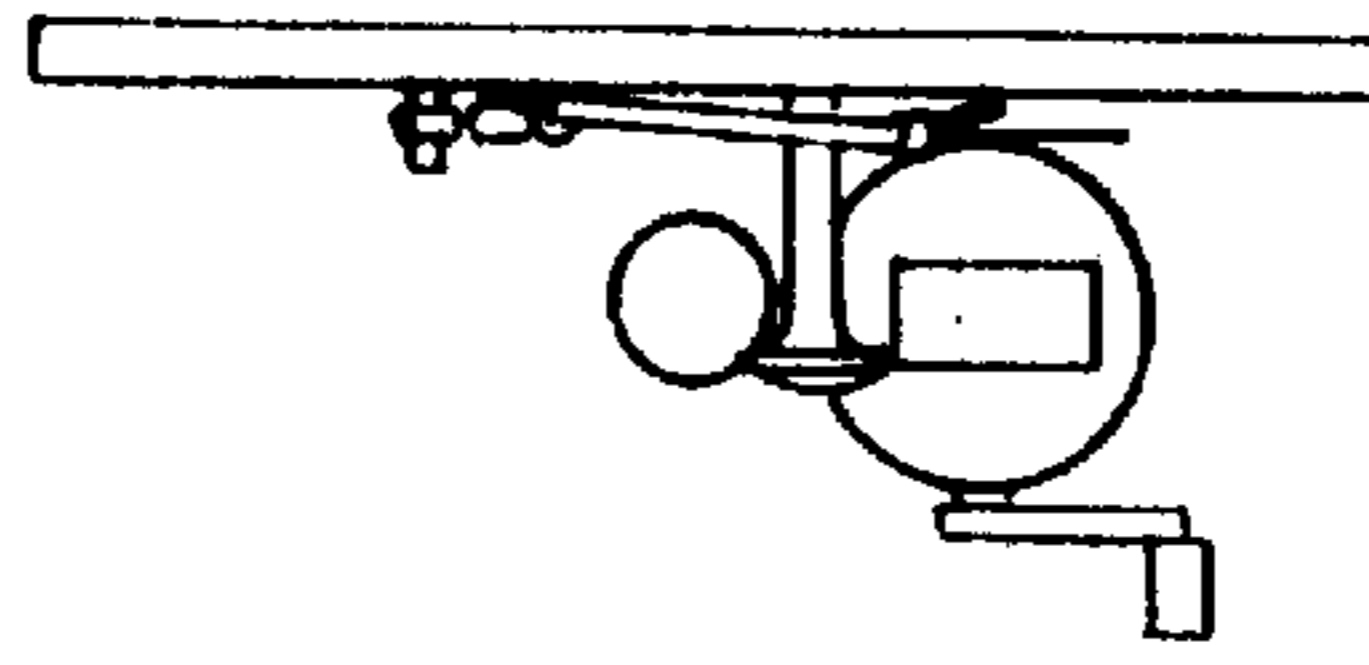


FIG. 4

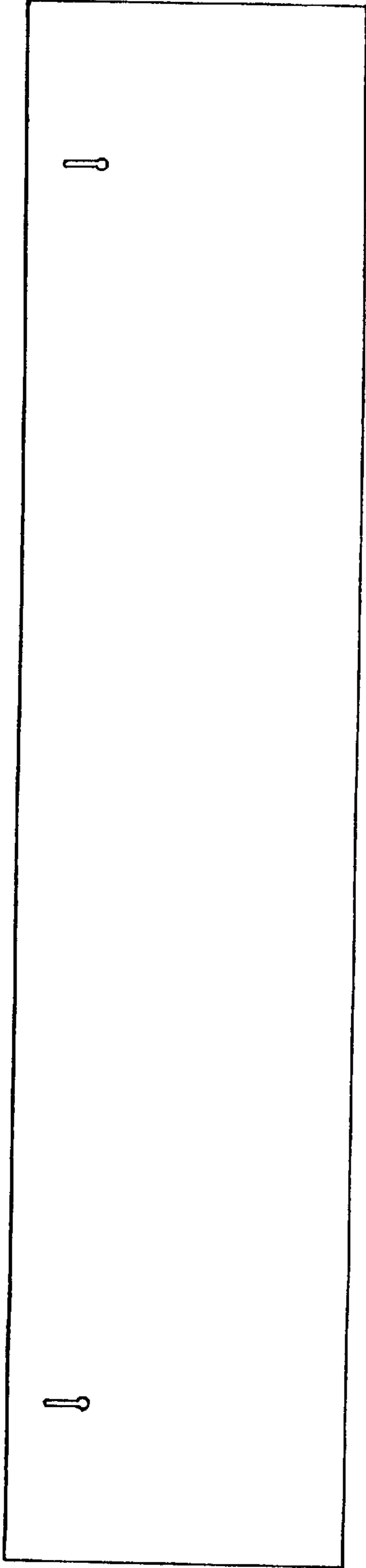


FIG. 6

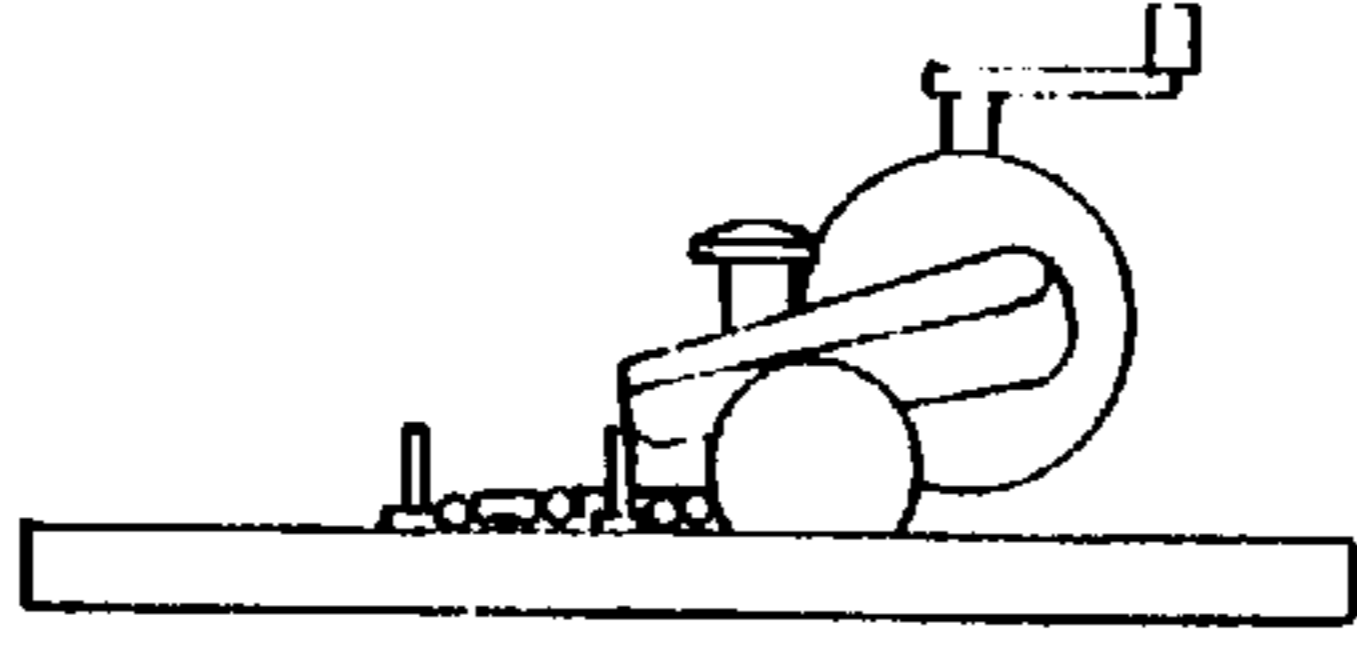


FIG. 7

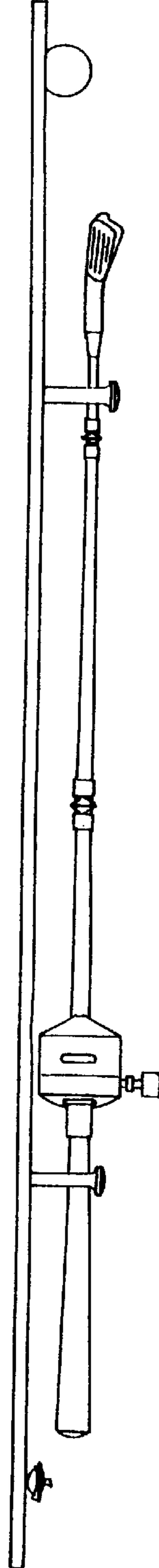


FIG. 5