



US00D403604S

United States Patent [19]

Tsubota et al.

[11] **Patent Number:** **Des. 403,604**

[45] **Date of Patent:** ****Jan. 5, 1999**

[54] **REAGENT CARTRIDGE FOR COLORIMETER**

[76] Inventors: **Yoshitami Tsubota**, 890-81, Wake-cho 2-chome; **Sadatoshi Takechi**, 1089-2, Hirai-cho; **Katsufumi Isshiki**, 186, Kitasaya-cho; **Takeshi Fukumura**, 333, Kou 247, Horie-cho, all of Matsuyama-shi, Ehime-ken; **Tomisada Kubota**, 33-2, Kamiigusa 2-chome, Suginami-ku, Tokyo, all of Japan

[**] Term: **14 Years**

[21] Appl. No.: **85,383**

[22] Filed: **Mar. 23, 1998**

[30] **Foreign Application Priority Data**

Sep. 29, 1997 [JP] Japan 9-69789

[51] **LOC (6) Cl.** **10-04**

[52] **U.S. Cl.** **D10/81; D24/223**

[58] **Field of Search** D10/81; D24/223; 356/246; 422/102, 61, 63, 65, 103; 206/221

[56] **References Cited**

U.S. PATENT DOCUMENTS

- D. 333,992 3/1993 Anderson .
- D. 336,444 6/1993 Anderson et al. .
- D. 354,921 1/1995 Narayanan .

- D. 357,876 5/1995 McConnell .
- D. 360,840 8/1995 Brockway et al. .
- 3,927,955 12/1975 Spinosa et al. .
- 4,187,057 2/1980 Xanthopoulos .
- 4,256,437 3/1981 Brown .
- 4,303,376 12/1981 Sickmann .
- 4,537,561 8/1985 Xanthopoulos .
- 4,886,431 12/1989 Soderquist et al. .
- 5,082,429 1/1992 Soderquist et al. .
- 5,213,483 5/1993 Flaherty et al. .
- 5,257,917 11/1993 Minarik et al. .
- 5,380,173 1/1995 Hellstrom .
- 5,441,895 8/1995 Jakubowicz et al. 422/102 X
- 5,635,137 6/1997 Manz et al. 422/102

Primary Examiner—Antoine Duval Davis
Attorney, Agent, or Firm—Birch, Stewart, Kolasch & Birch, LLP

[57] **CLAIM**

The ornamental design for a reagent cartridge for colorimeter, as shown and described.

DESCRIPTION

FIG. 1 is a front perspective view from the left side of a reagent cartridge for colorimeter showing our new design; FIG. 2 is a rear perspective view thereof; and, FIG. 3 is a front perspective view thereof with the body of colorimeter illustrated in a removed condition. The broken line showing of a colorimeter is for illustrative purposes only and forms no part of the claimed design.

1 Claim, 3 Drawing Sheets

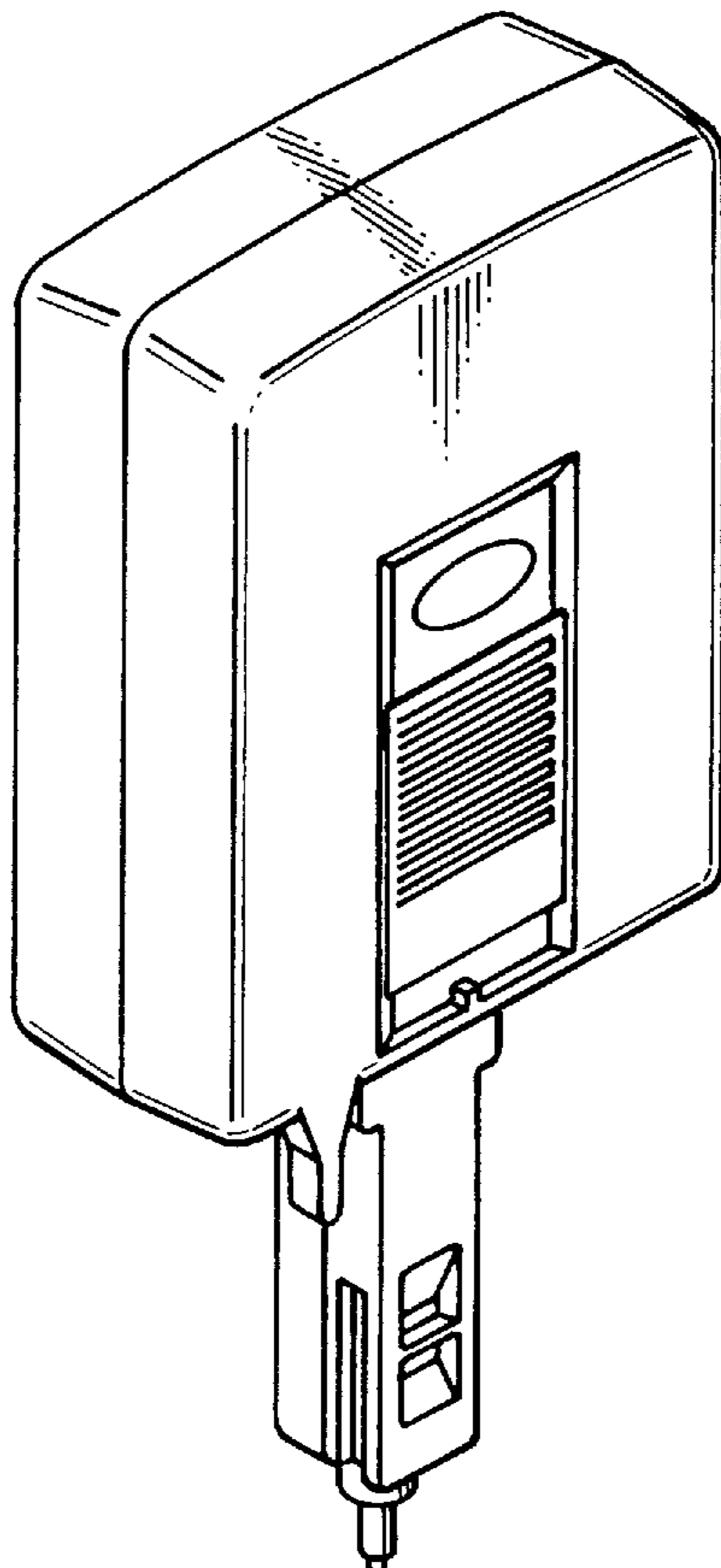


FIG. 1

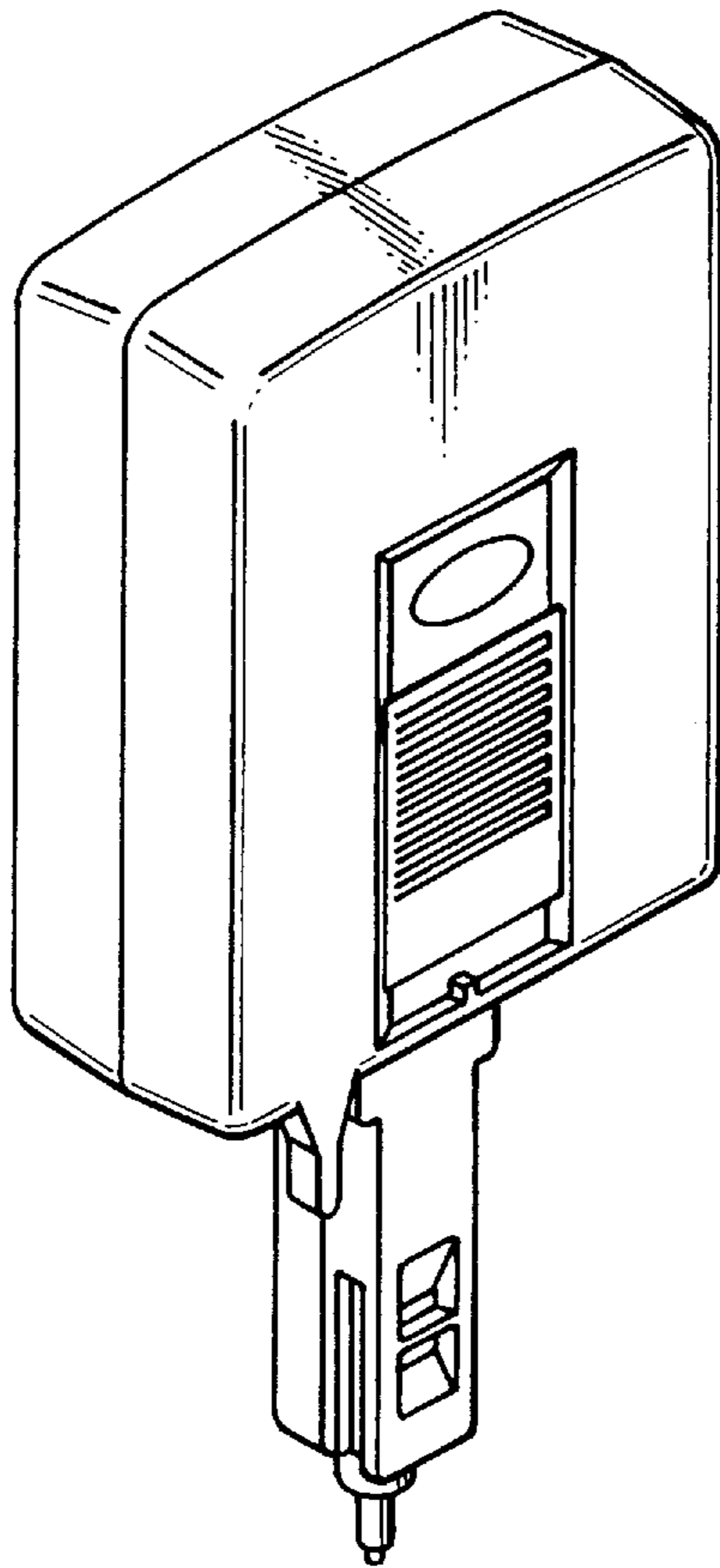


FIG. 2

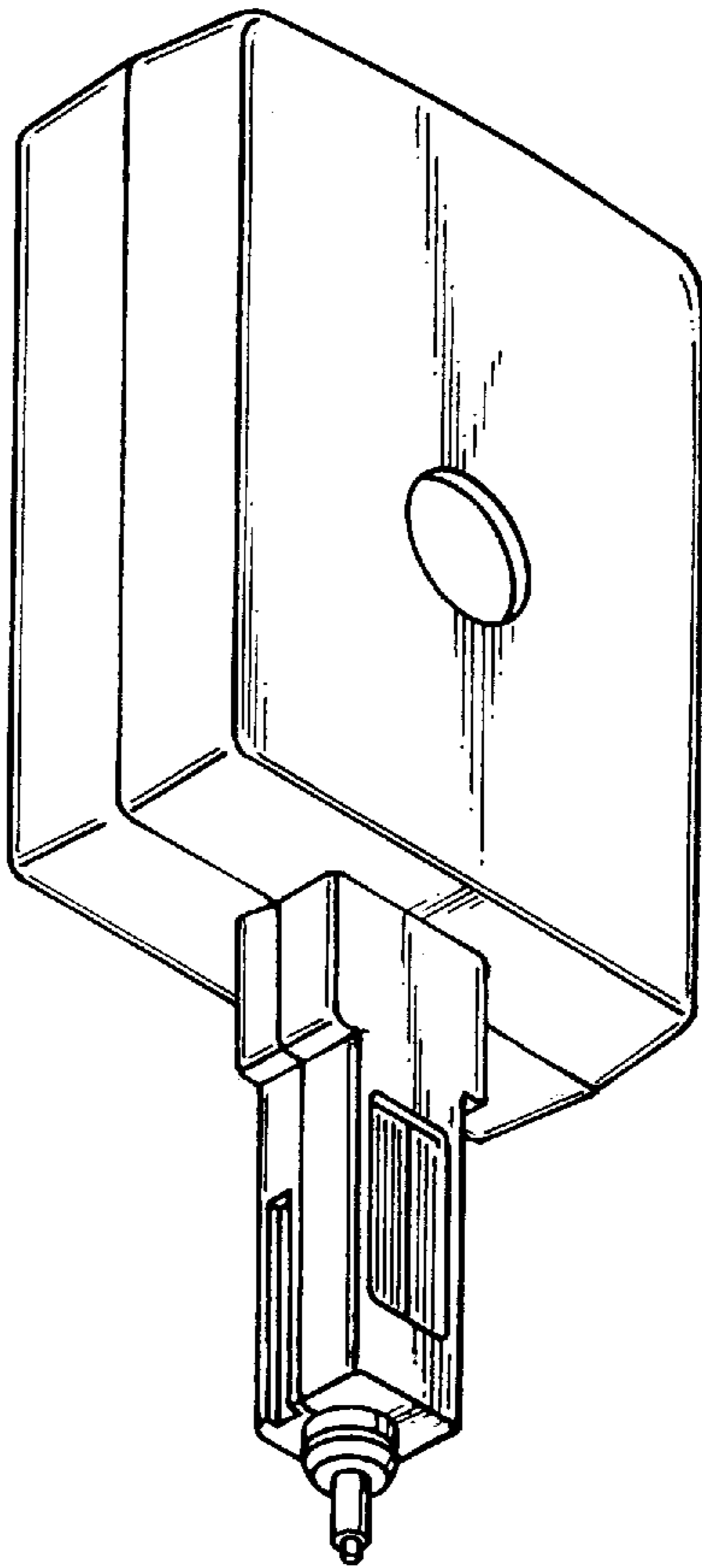
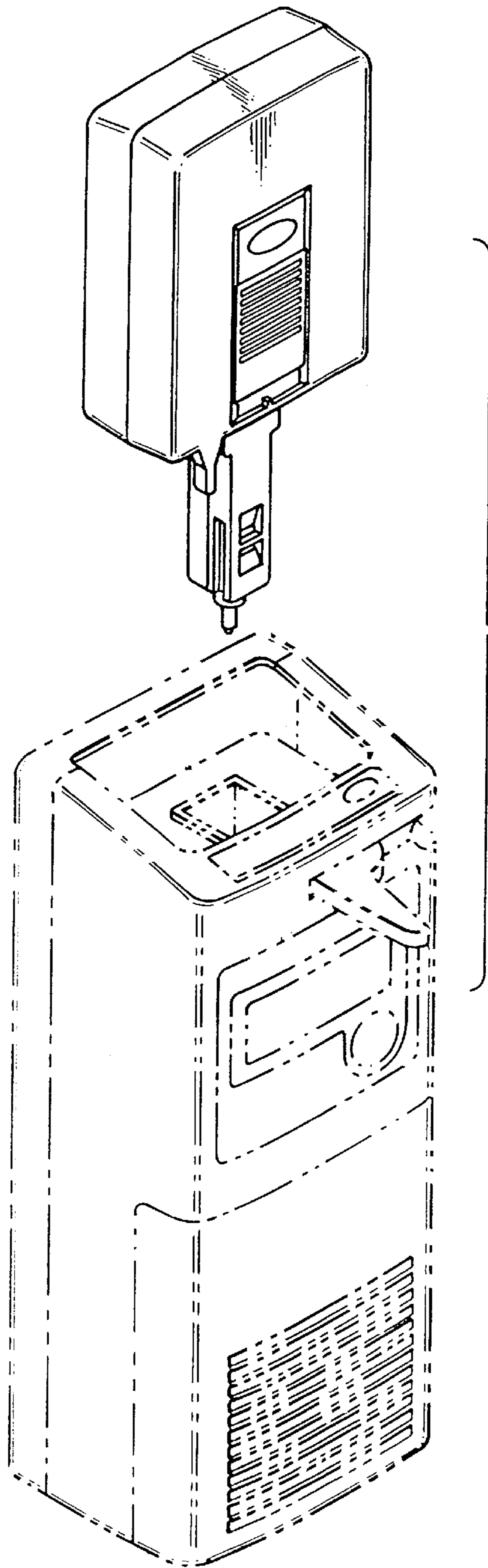


FIG. 3



UNITED STATES PATENT AND TRADEMARK OFFICE
CERTIFICATE OF CORRECTION

PATENT NO. : Des. 403,604
DATED : January 5, 1999
INVENTOR(S) : Y. TSUBOTA et al.

It is certified that error appears in the above-identified patent and that said Letters Patent is hereby corrected as shown below:

On the title page, insert the following:

--[73] Assignee: Miura Co., Ltd.
Ehime-ken, JAPAN--

Signed and Sealed this
Twenty-sixth Day of October, 1999

Attest:



Q. TODD DICKINSON

Attesting Officer

Acting Commissioner of Patents and Trademarks