



US00D403603S

United States Patent [19]

Kondo et al.

[11] Patent Number: **Des. 403,603**

[45] Date of Patent: ****Jan. 5, 1999**

[54] **WRIST WATCH TYPE GAS MEASURING DEVICE**

[75] Inventors: **Haruhiko Kondo; Junichi Koyano; Masahide Kitamura**, all of Tokyo, Japan

[73] Assignee: **Riken Keiki Co., Ltd.**, Tokyo, Japan

[**] Term: **14 Years**

[21] Appl. No.: **81,199**

[22] Filed: **Dec. 24, 1997**

[30] **Foreign Application Priority Data**

Nov. 5, 1997 [JP] Japan 9-73943

[51] **LOC (6) Cl.** **10-04**

[52] **U.S. Cl.** **D10/78; D10/31**

[58] **Field of Search** D10/31, 78, 96; 422/119, 104, 83, 94, 95; 324/204; 73/864.81, 863.81, 24.01, 24.06, 597, 25.02, 23.2, 23.21, 25.01; 250/576, 574, 234; 356/442, 439; 204/406, 408

[56] **References Cited**

U.S. PATENT DOCUMENTS

D. 361,280 8/1995 Hanagata D10/31

Primary Examiner—Antoine Duval Davis
Attorney, Agent, or Firm—Pollock, Vande Sande & Priddy

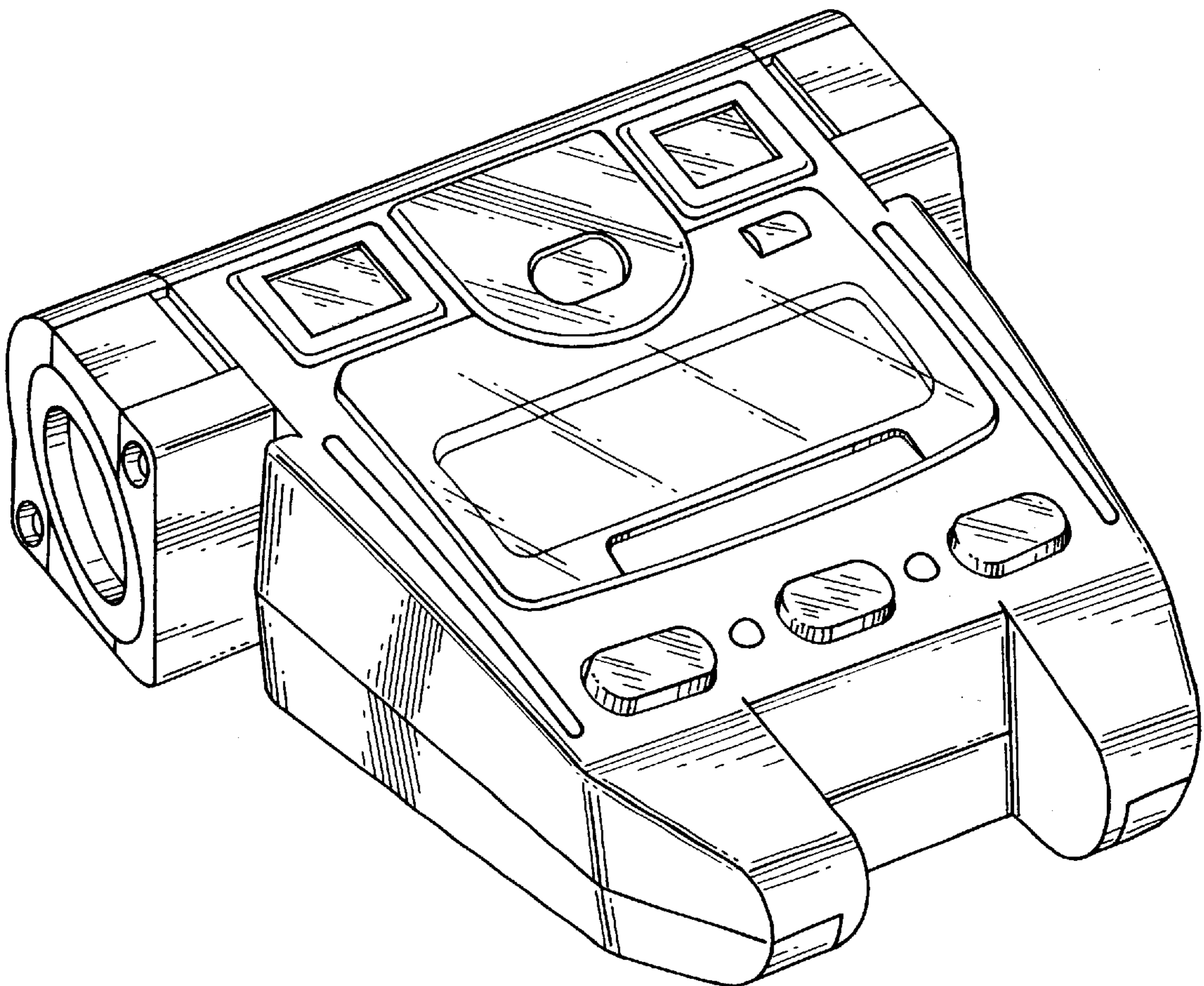
[57] **CLAIM**

The ornamental design for a wrist watch type gas measuring device, as shown.

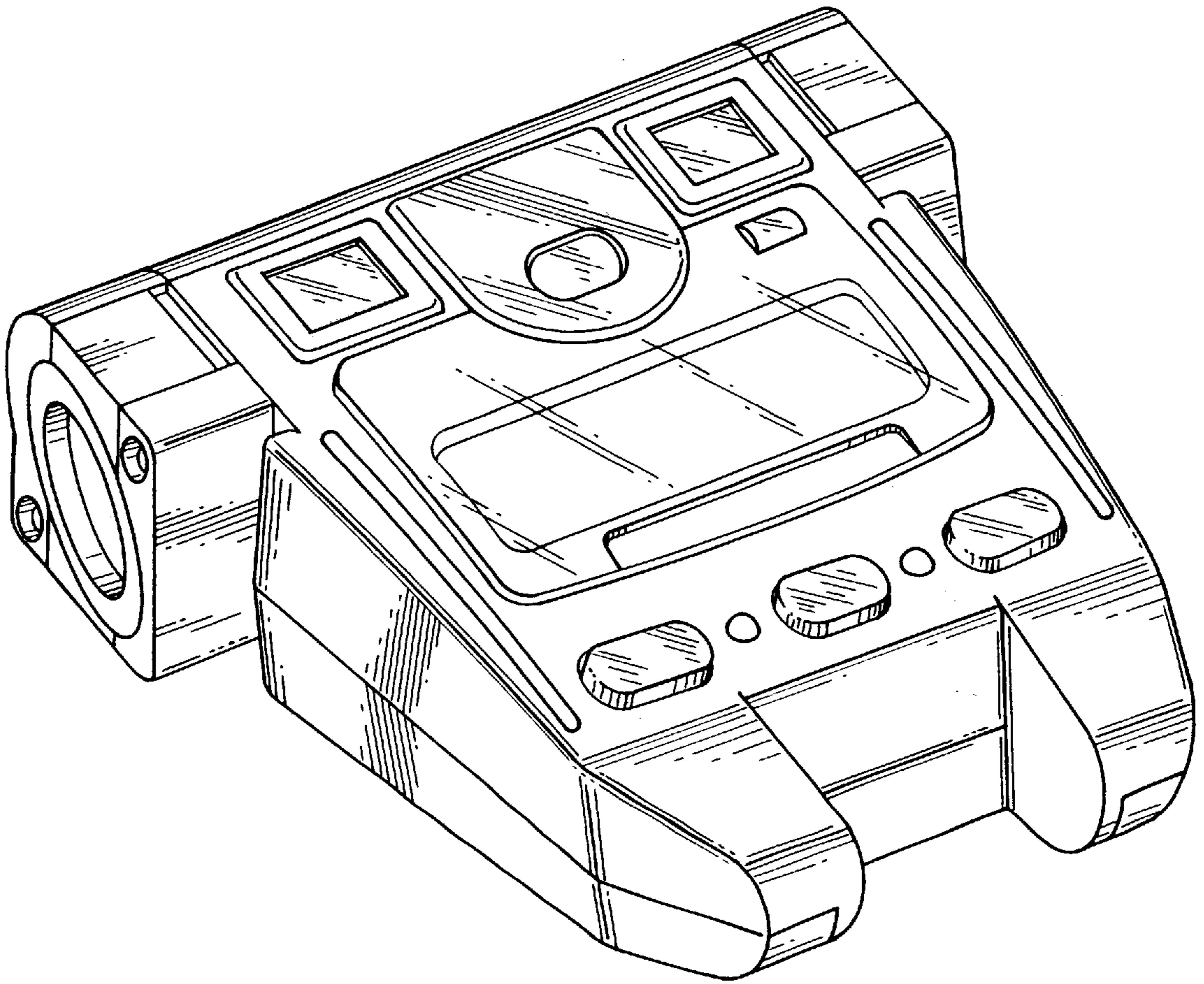
DESCRIPTION

FIG. 1 is a perspective view of a wrist watch type gas measuring device showing our new design; FIG. 2 is a front elevational view thereof; FIG. 3 is a right side elevational view thereof; FIG. 4 is a left side elevational view thereof; FIG. 5 is a top plan view thereof; FIG. 6 is a bottom view thereof; and, FIG. 7 is a rear elevational view thereof.

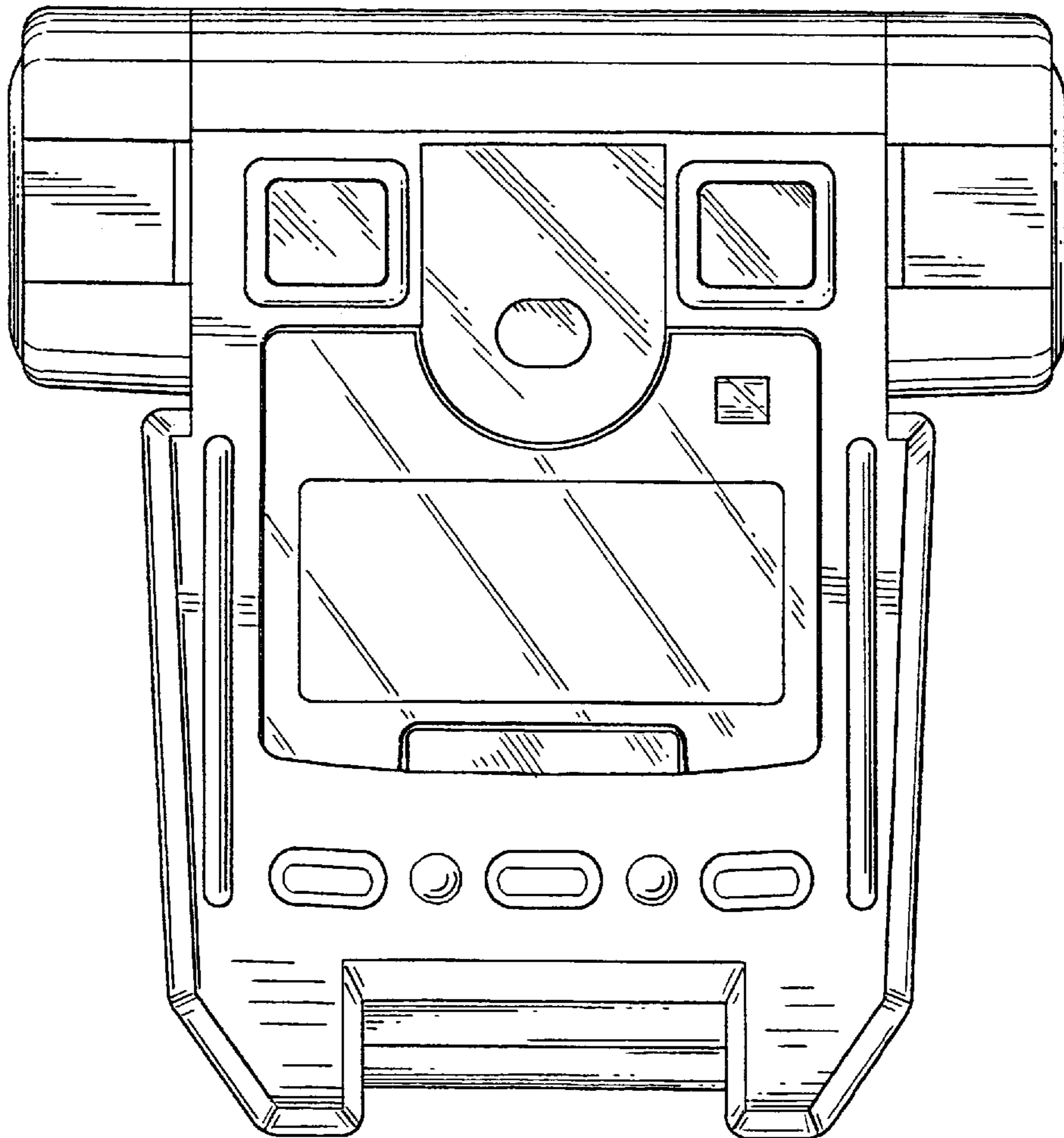
1 Claim, 5 Drawing Sheets



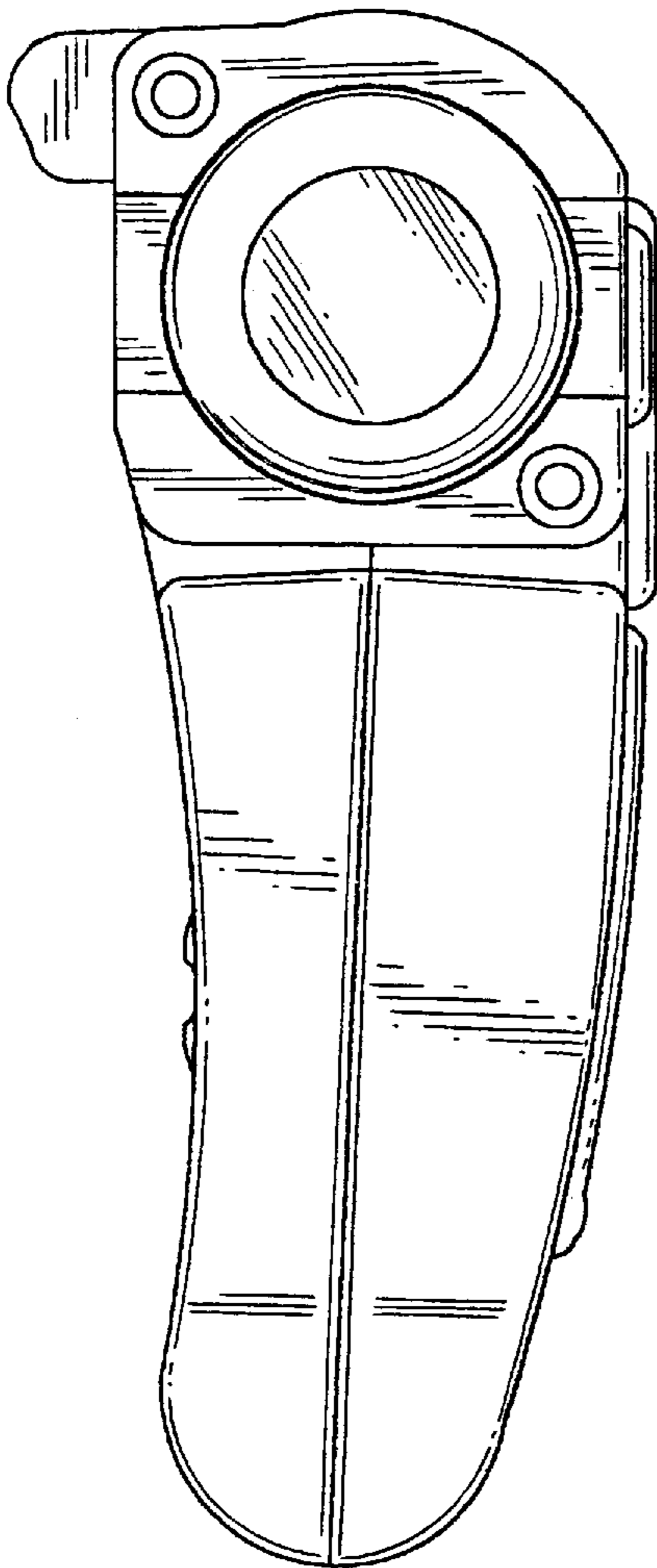
F i g . 1



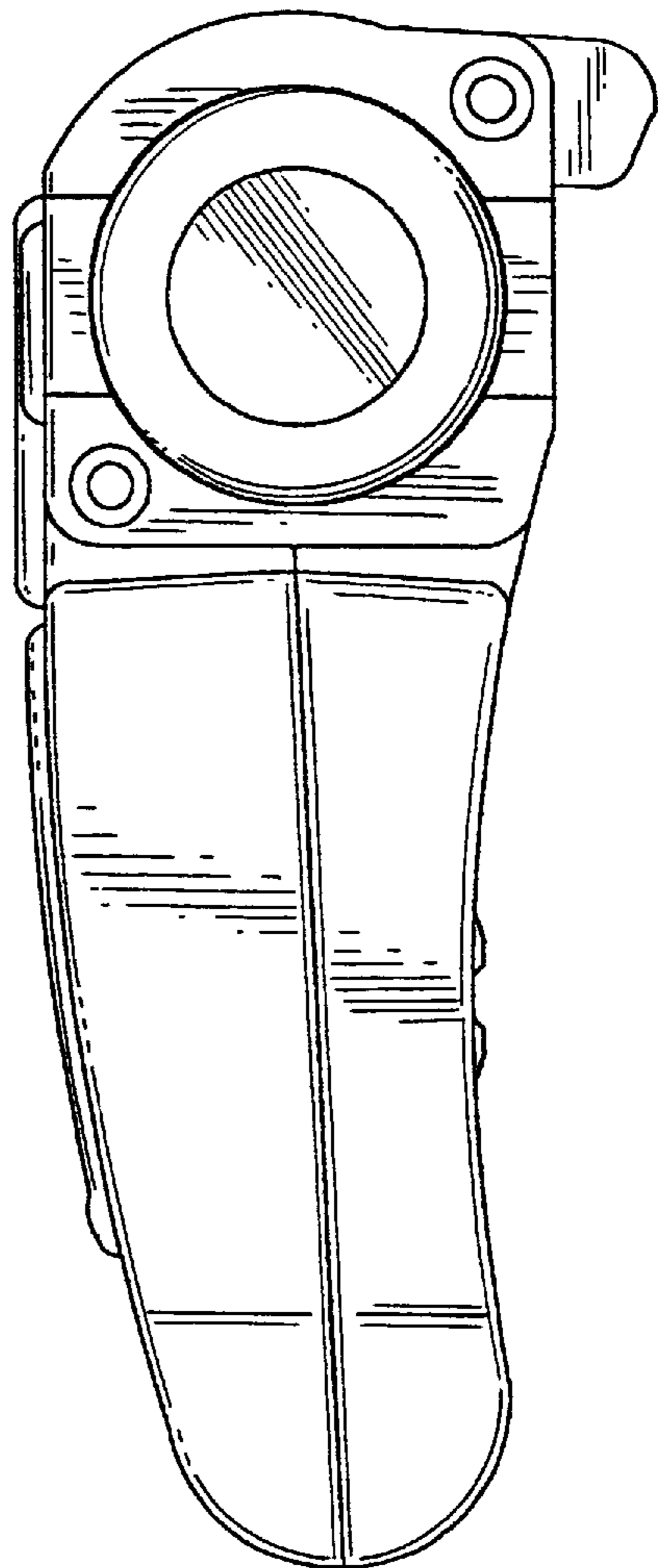
F i g . 2



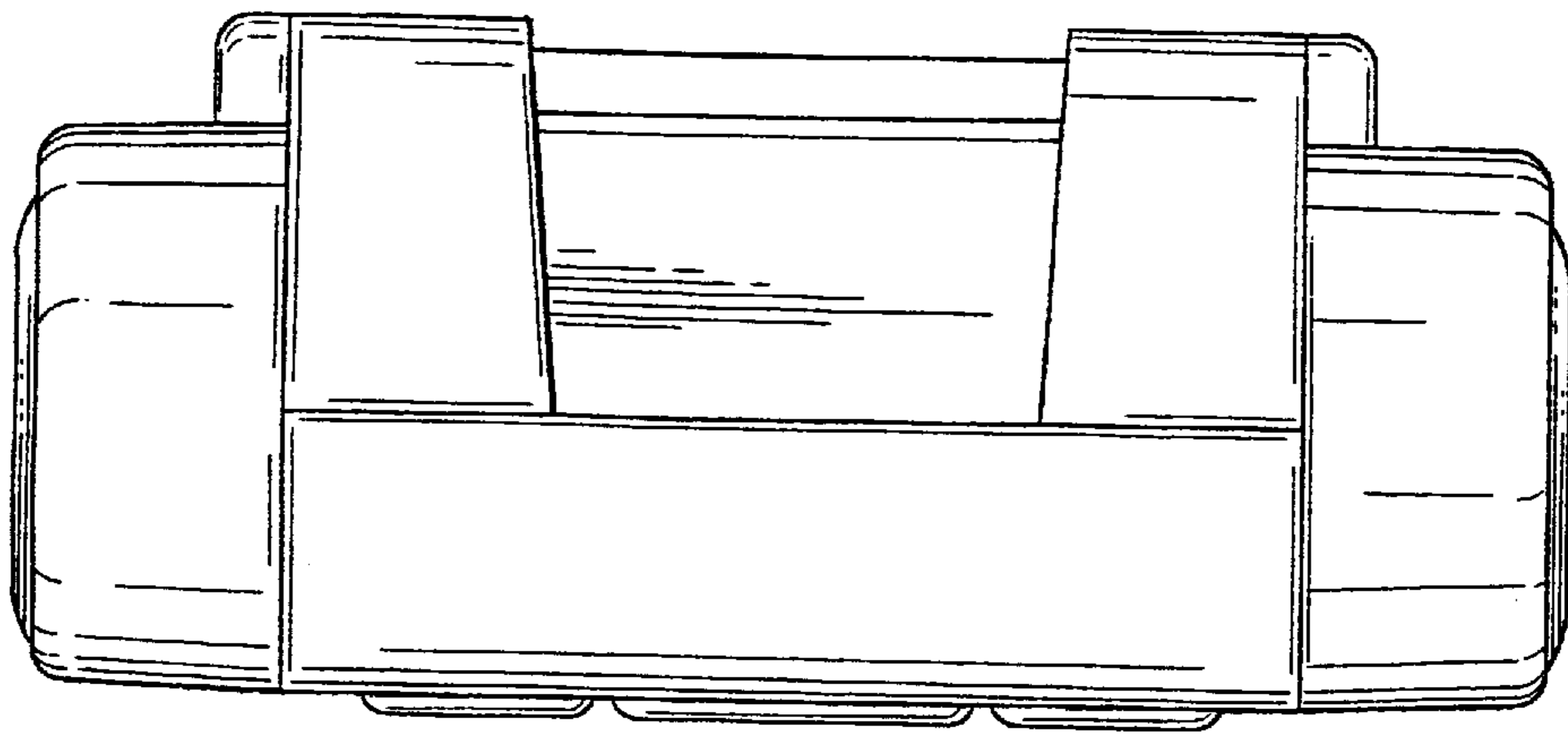
F i g . 4



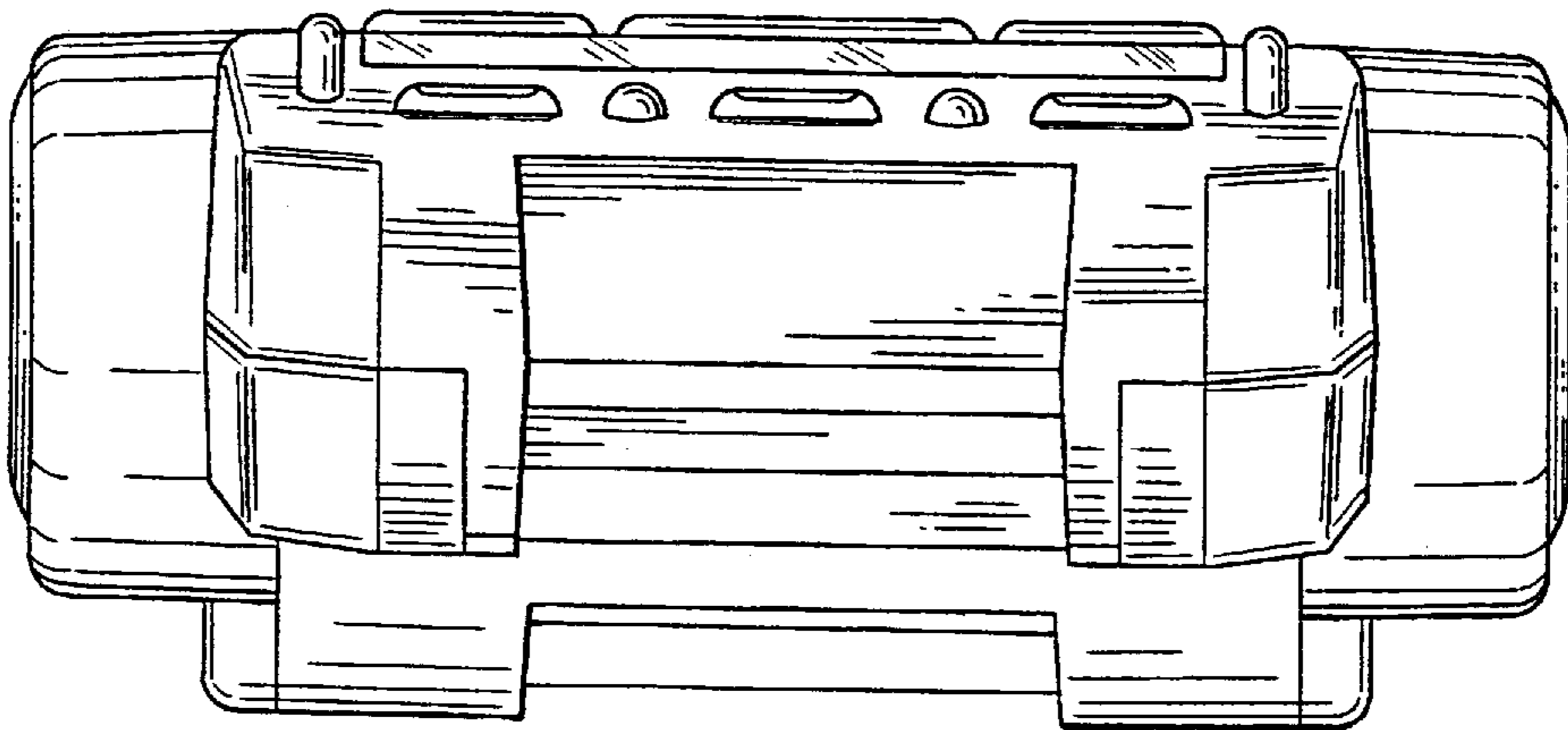
F i g . 3



F i g . 5



F i g . 6



F i g . 7

