



US00D403601S

United States Patent [19]
Robbins, III

[11] **Patent Number: Des. 403,601**

[45] **Date of Patent: **Jan. 5, 1999**

[54] **MEASURING CANISTER**

[76] Inventor: **Edward S. Robbins, III**, 128
Hazelwood La., Florence, Ala. 35630

[**] Term: **14 Years**

[21] Appl. No.: **80,069**

[22] Filed: **Nov. 26, 1997**

[51] **LOC (6) Cl.** **10-04**

[52] **U.S. Cl.** **D10/46.2; D7/612**

[58] **Field of Search** D7/312, 317, 318,
D7/320-322, 612-615; D10/46.2, 46.3;
73/426-429; 222/158, 173, 454-456, 465.1

[56] **References Cited**

U.S. PATENT DOCUMENTS

D. 369,755 5/1996 Burcham et al. D10/46.2

OTHER PUBLICATIONS

Colonial Garden Kitchens, p. 26, (B) Canister, Feb. 21,
1995.

Primary Examiner—Terry A. Wallace

Attorney, Agent, or Firm—Locke Reynolds

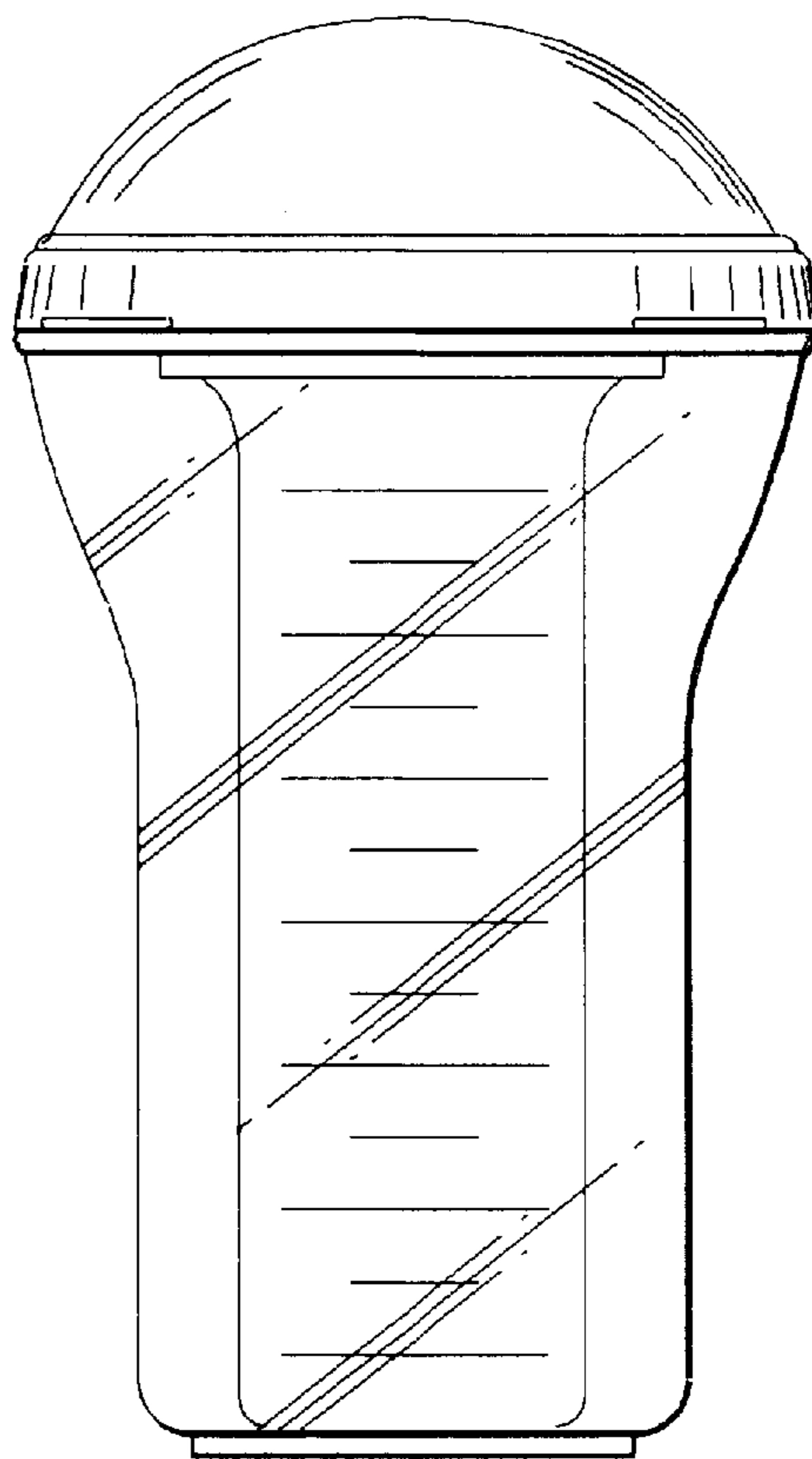
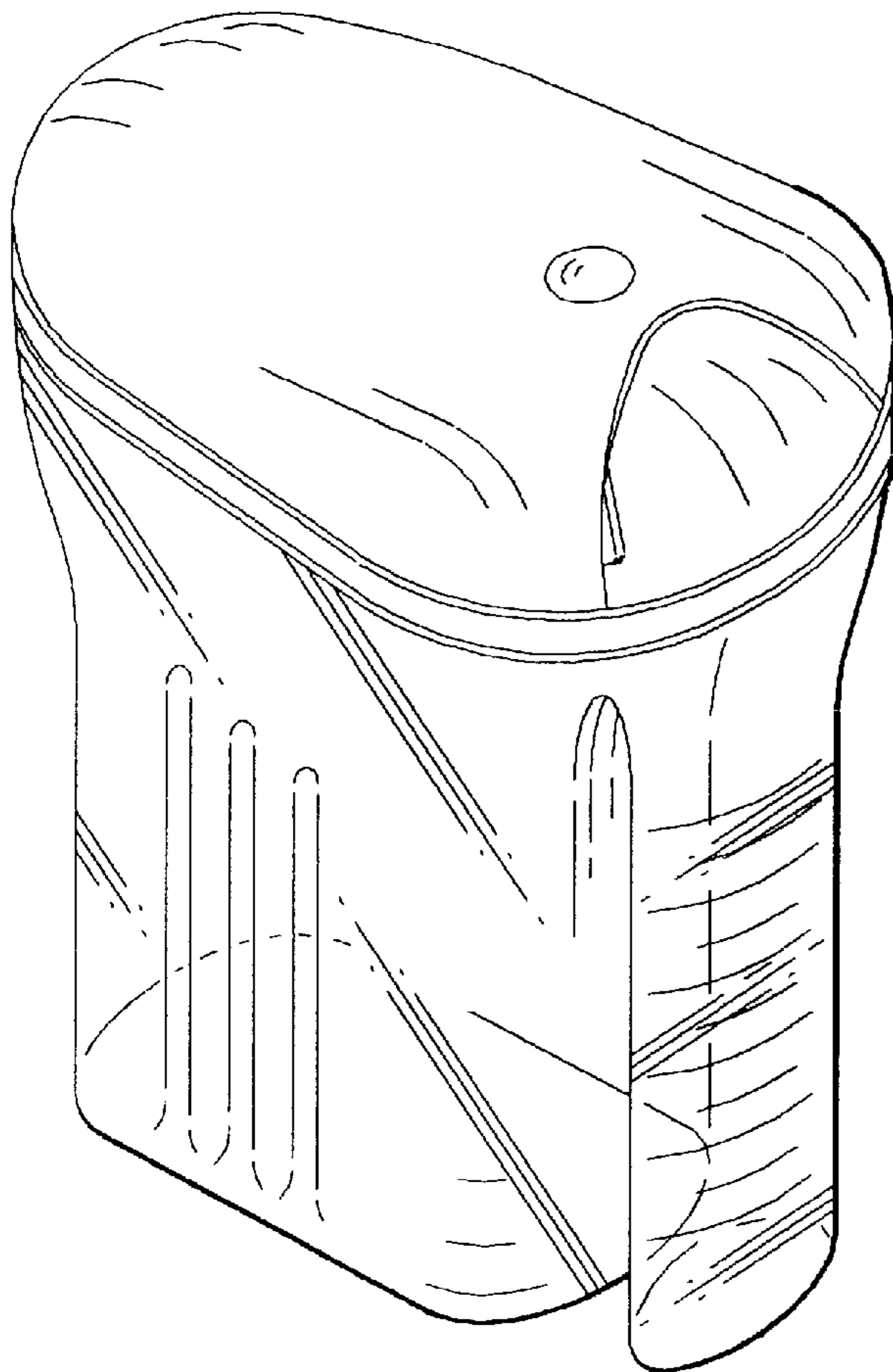
[57] **CLAIM**

I claim the ornamental design for a measuring canister, as shown and described.

DESCRIPTION

FIG. 1 is a perspective view of a measuring canister in accordance with my design shown in an open configuration; FIG. 2 is another perspective view of the measuring canister shown in FIG. 1 shown in a closed configuration; FIG. 3 is a front side elevation view of the measuring canister shown in FIG. 1; FIG. 4 is a side elevation view of the left side of the measuring canister shown in FIG. 3, the right side being identical; FIG. 5 is a back side elevation view of the measuring canister shown in FIG. 1; FIG. 6 is top plan view of the measuring canister shown in FIG. 1; and, FIG. 7 is bottom plan view of the measuring canister shown in FIG. 1.

1 Claim, 4 Drawing Sheets



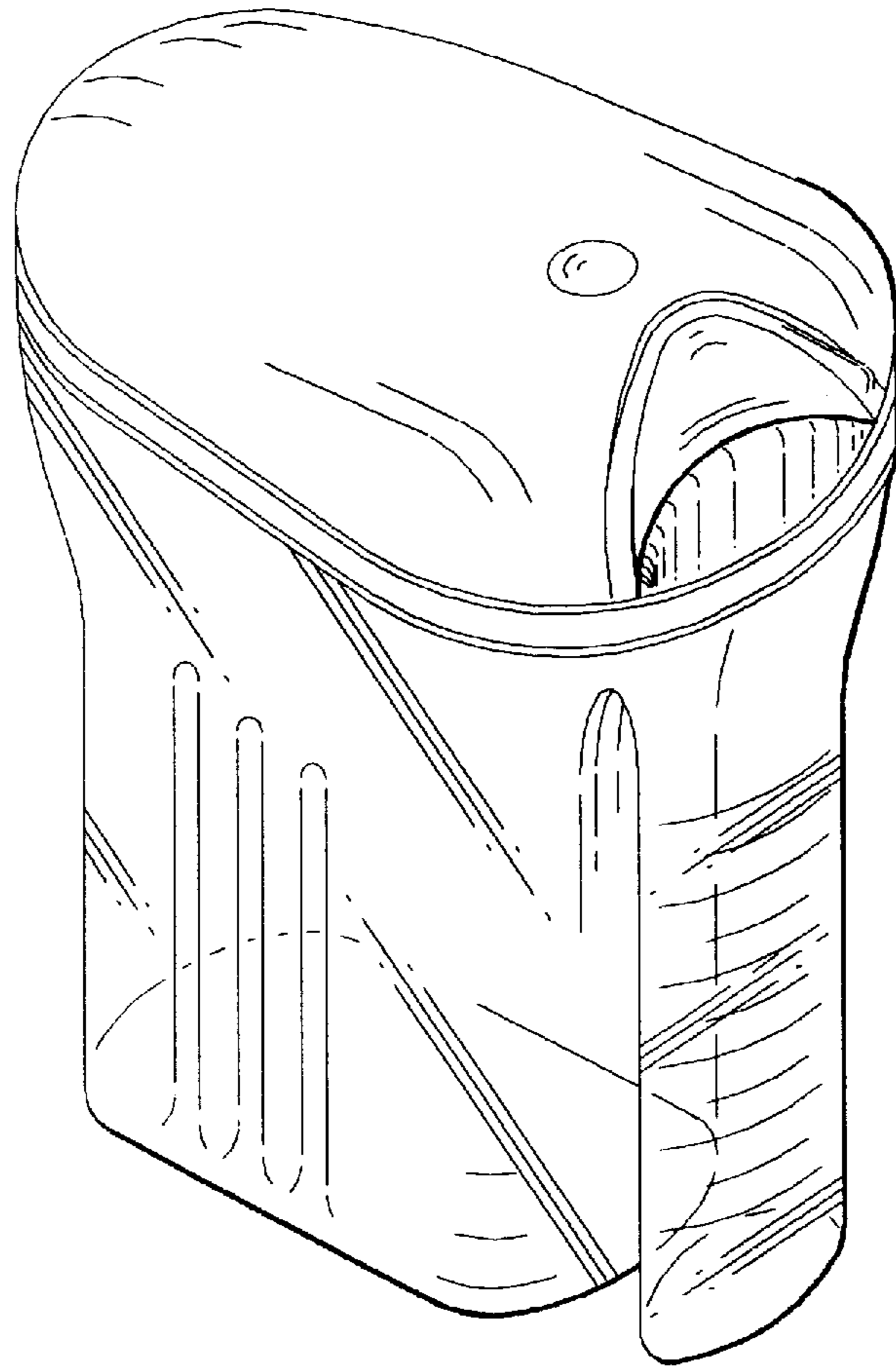


FIG. 1

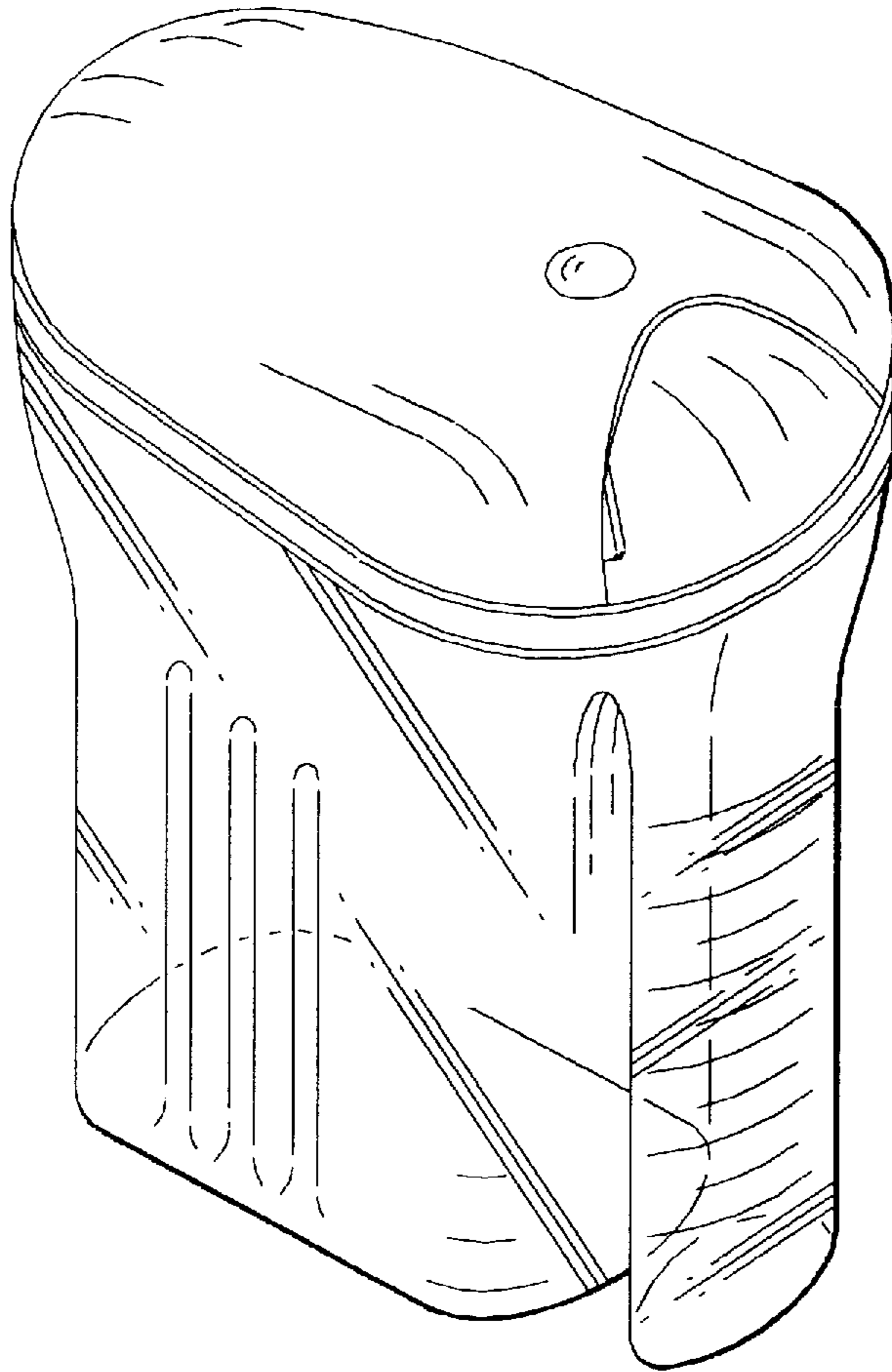


FIG. 2

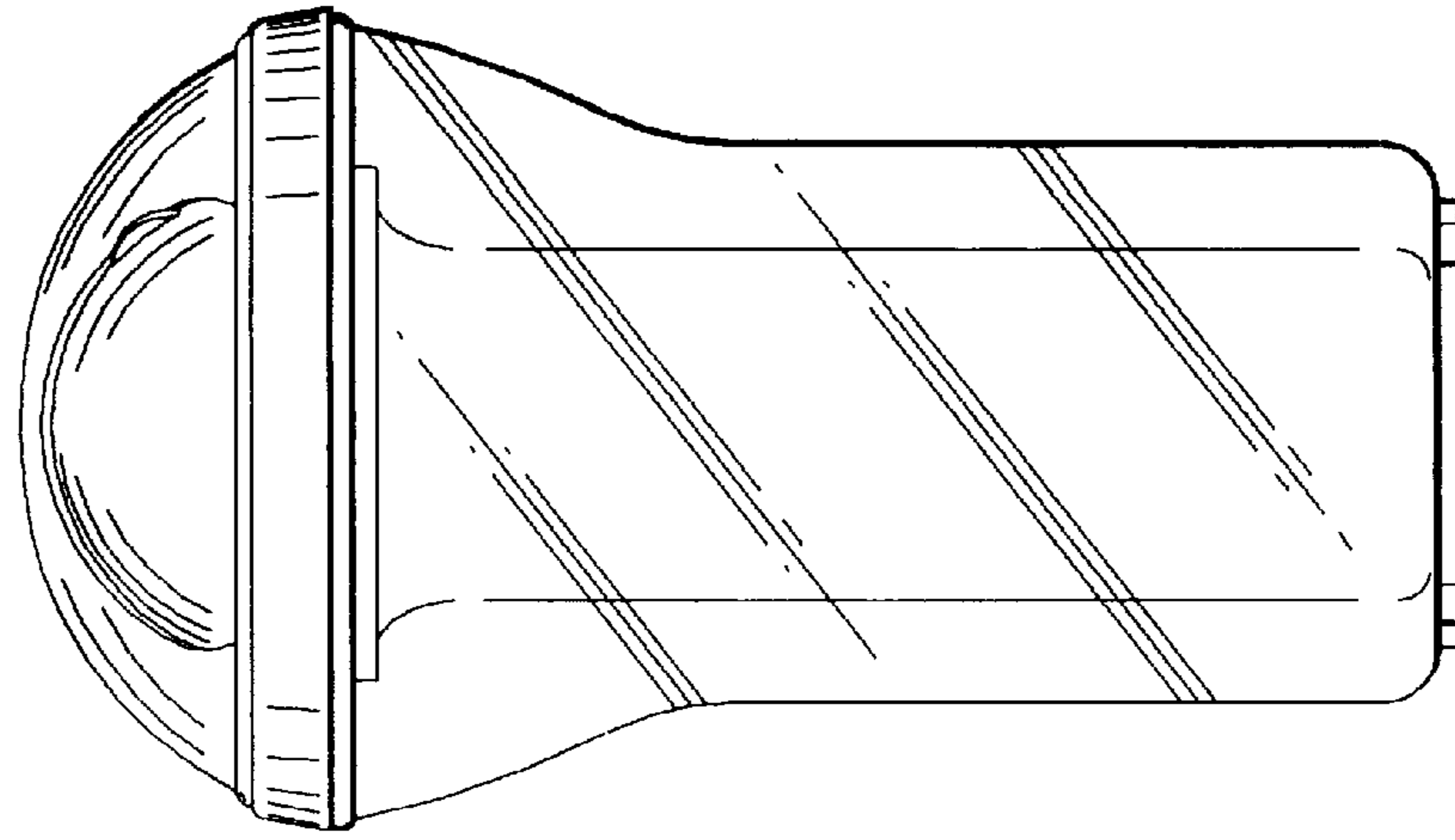


FIG. 3

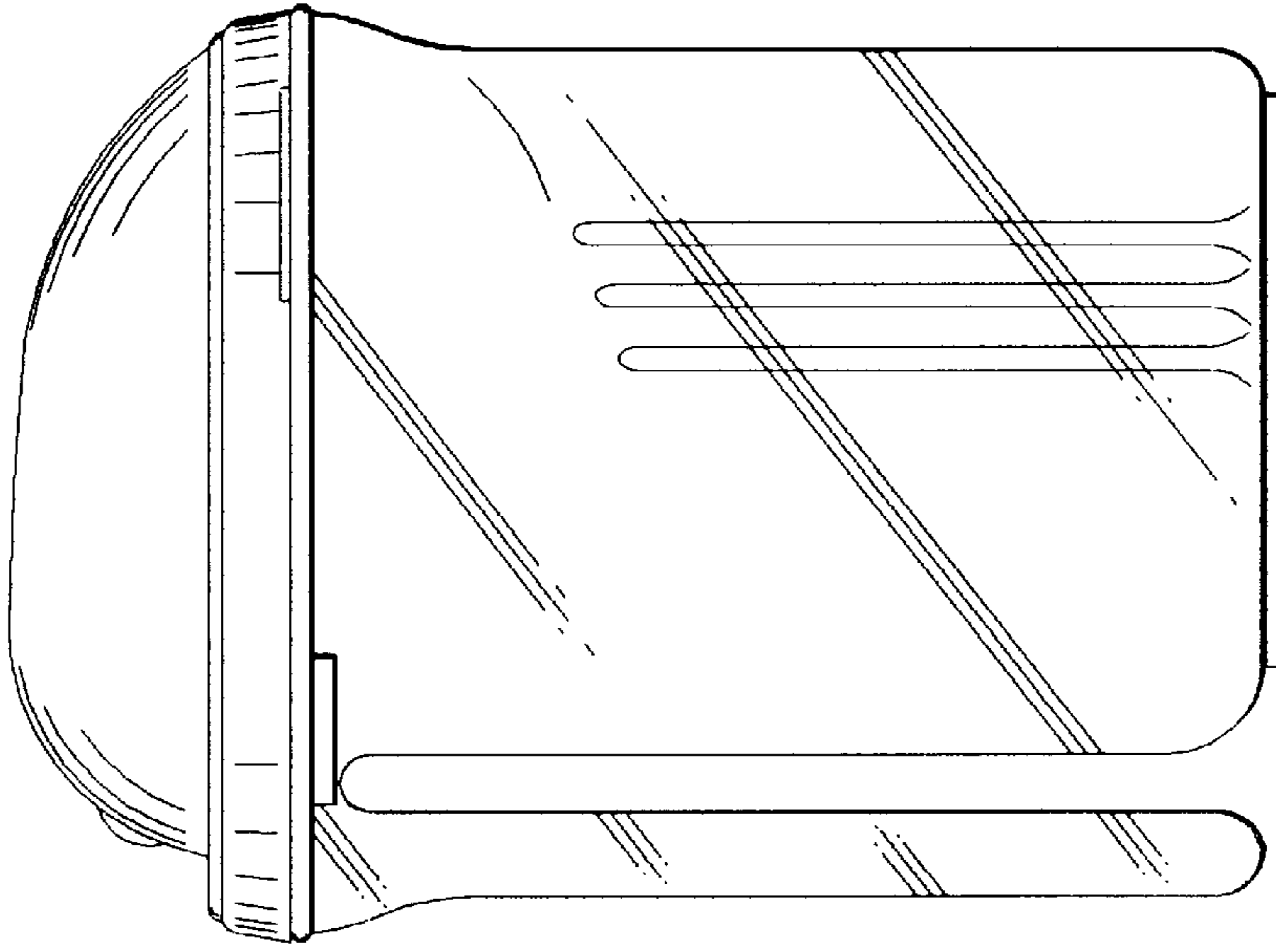


FIG. 4

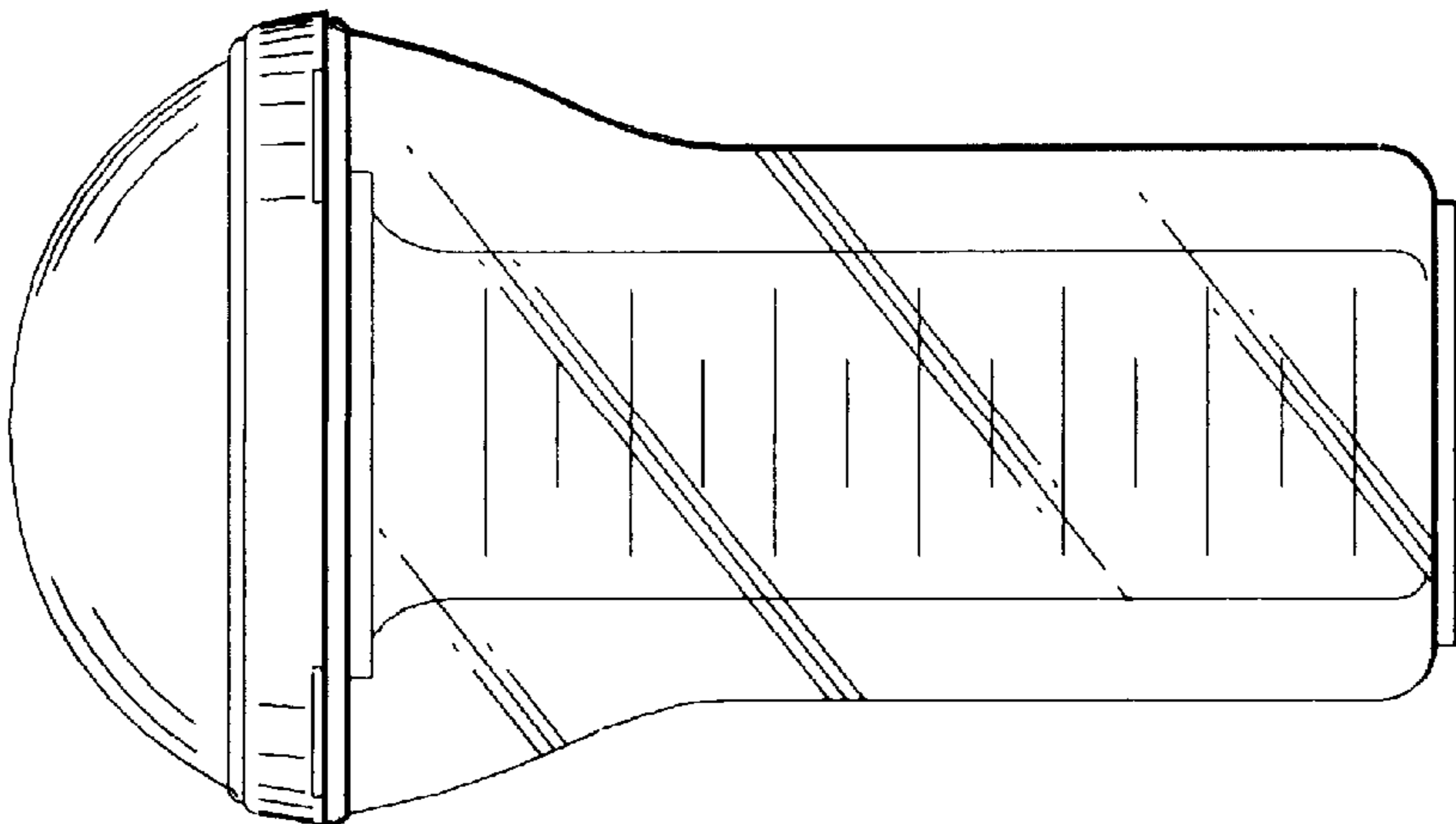


FIG. 5

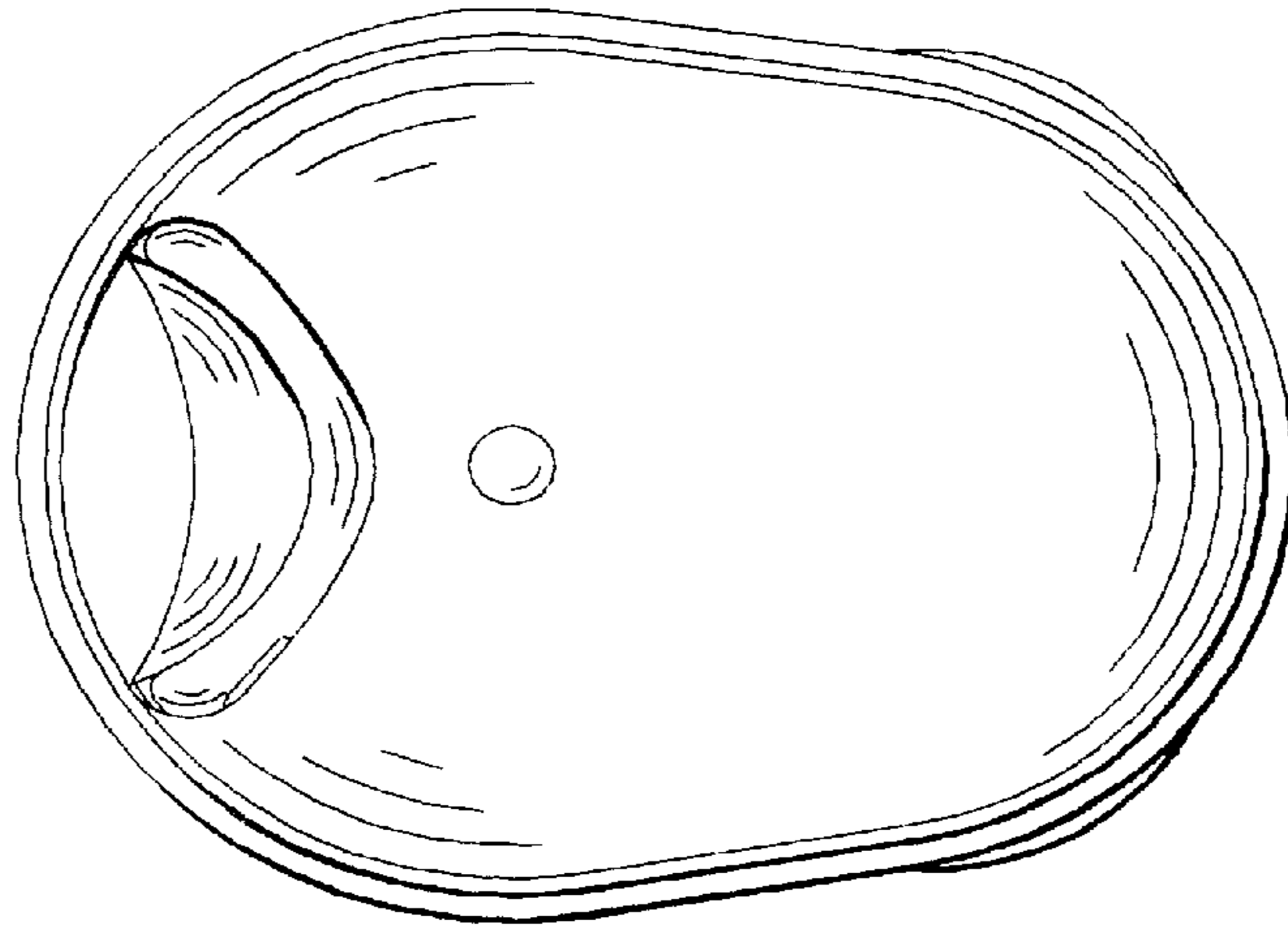


FIG. 6

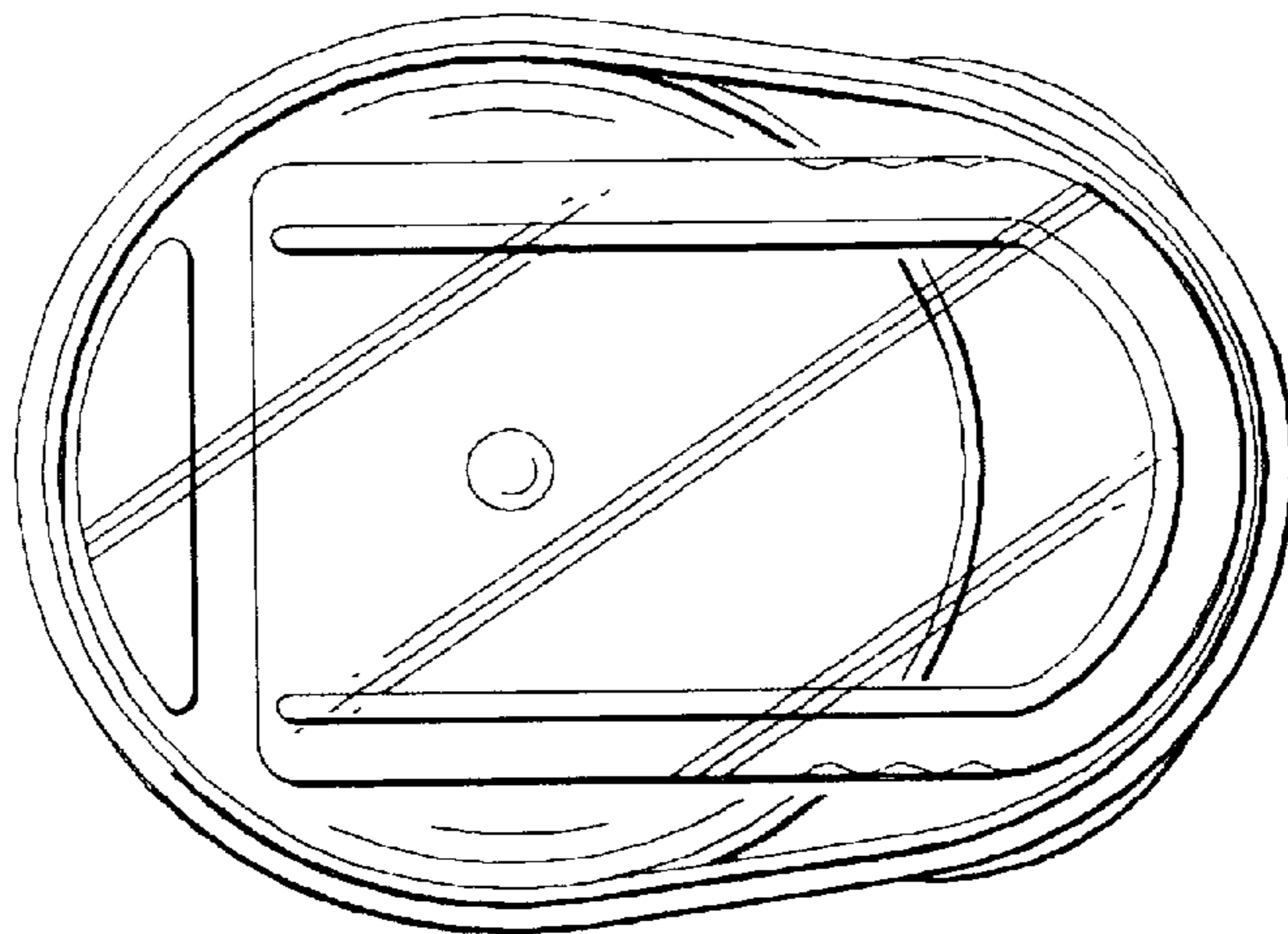


FIG. 7