



US00D403597S

United States Patent [19] Hartzband

[11] **Patent Number: Des. 403,597**

[45] **Date of Patent: **Jan. 5, 1999**

[54] **COMBINED WATCH AND BRACELET**

Swiss Watch & Jewelry Journal—Feb. 1987—p. 435 Watches at bottom-right.

[75] Inventor: **Paul Hartzband**, Chappaqua, N.Y.

[73] Assignee: **Hartcase Corp.**, Rockville Centre

Primary Examiner—Nelson C. Holtje
Attorney, Agent, or Firm—James A. Quinton, Esq.

[**] Term: **14 Years**

[21] Appl. No.: **80,534**

[57] CLAIM

[22] Filed: **Nov. 25, 1997**

The combined watch and bracelet, as shown and described.

Related U.S. Application Data

DESCRIPTION

[63] Continuation of Ser. No. 70,986, May 16, 1997, abandoned.

FIG. 1 is a front elevational view of the combined watch and bracelet according to the invention;

[51] **LOC (6) Cl.** **10-02**

[52] **U.S. Cl.** **D10/32; D10/30**

FIG. 2 is a right side view of the combined watch and bracelet according to the invention;

[58] **Field of Search** D10/1-40, 122-132;
D11/3-25; 63/1.1, 3, 5, 11; 368/276-277,
280-282, 285

FIG. 3 is a top plan view of the combined watch and bracelet according to the invention;

[56] References Cited

FIG. 4 is a left side view of the combined watch and bracelet according to the invention;

U.S. PATENT DOCUMENTS

D. 240,411	7/1976	Haber	D10/32
D. 241,630	9/1976	Burke	D10/32
D. 271,471	11/1983	Bulgari	D10/32
D. 286,510	11/1986	Schoizpfer	D10/32
D. 330,167	10/1992	Vincent	D10/32
D. 359,916	7/1995	Iida	D10/32

FIG. 5 is a rear view of the combined watch and bracelet according to the invention; and,

OTHER PUBLICATIONS

FIG. 6 is a front elevational view on an alternative embodiment of the invention, all other views being the same as FIG. 2 through FIG. 5.

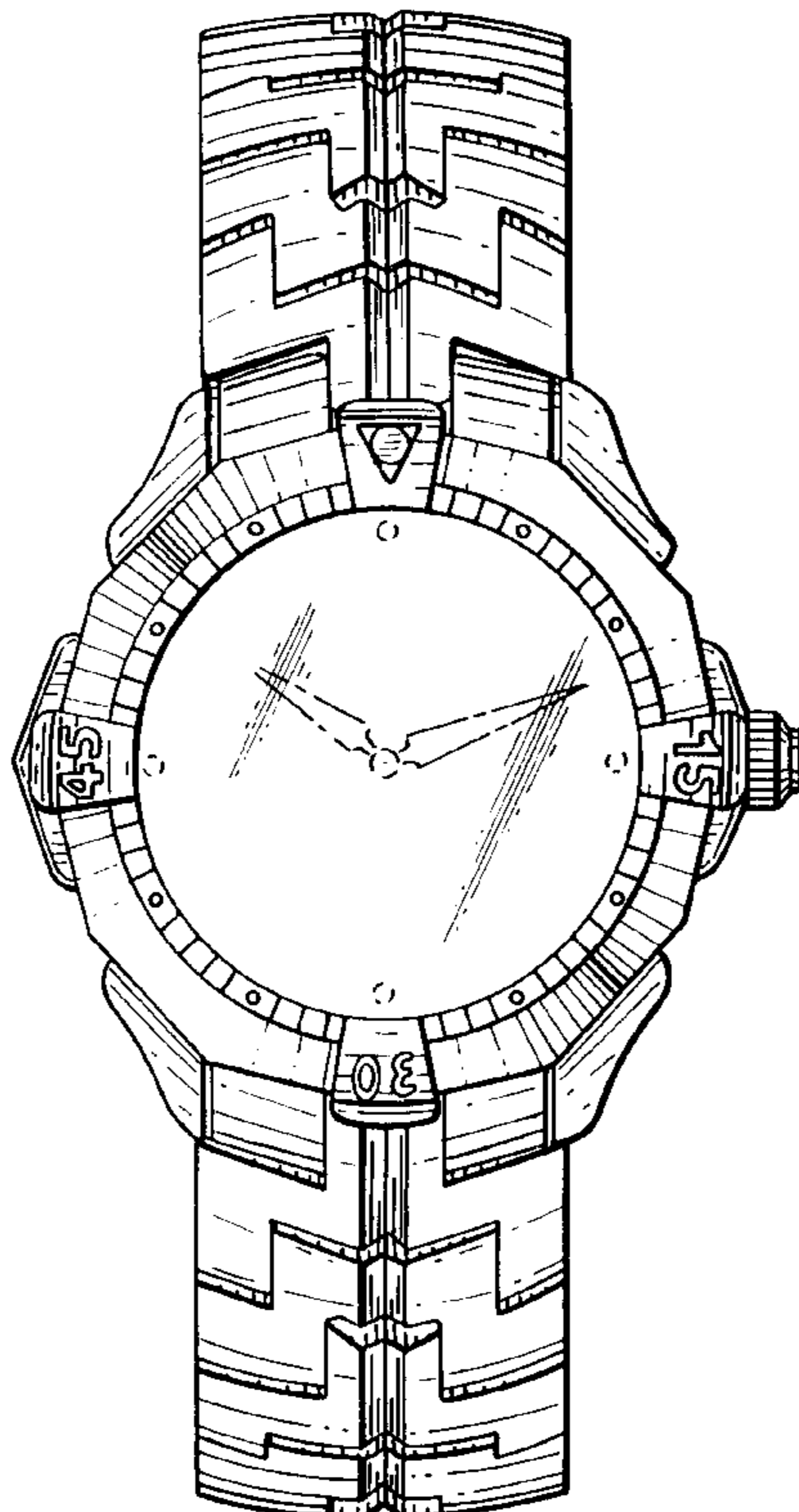
T.F. & Company Limited.

The broken-line showings of FIG. 1 are environmental only and form no part of the claimed design.

Orient.

Wittnauer (1995 and 1996, pp. 7-1 and 7-2.

1 Claim, 3 Drawing Sheets



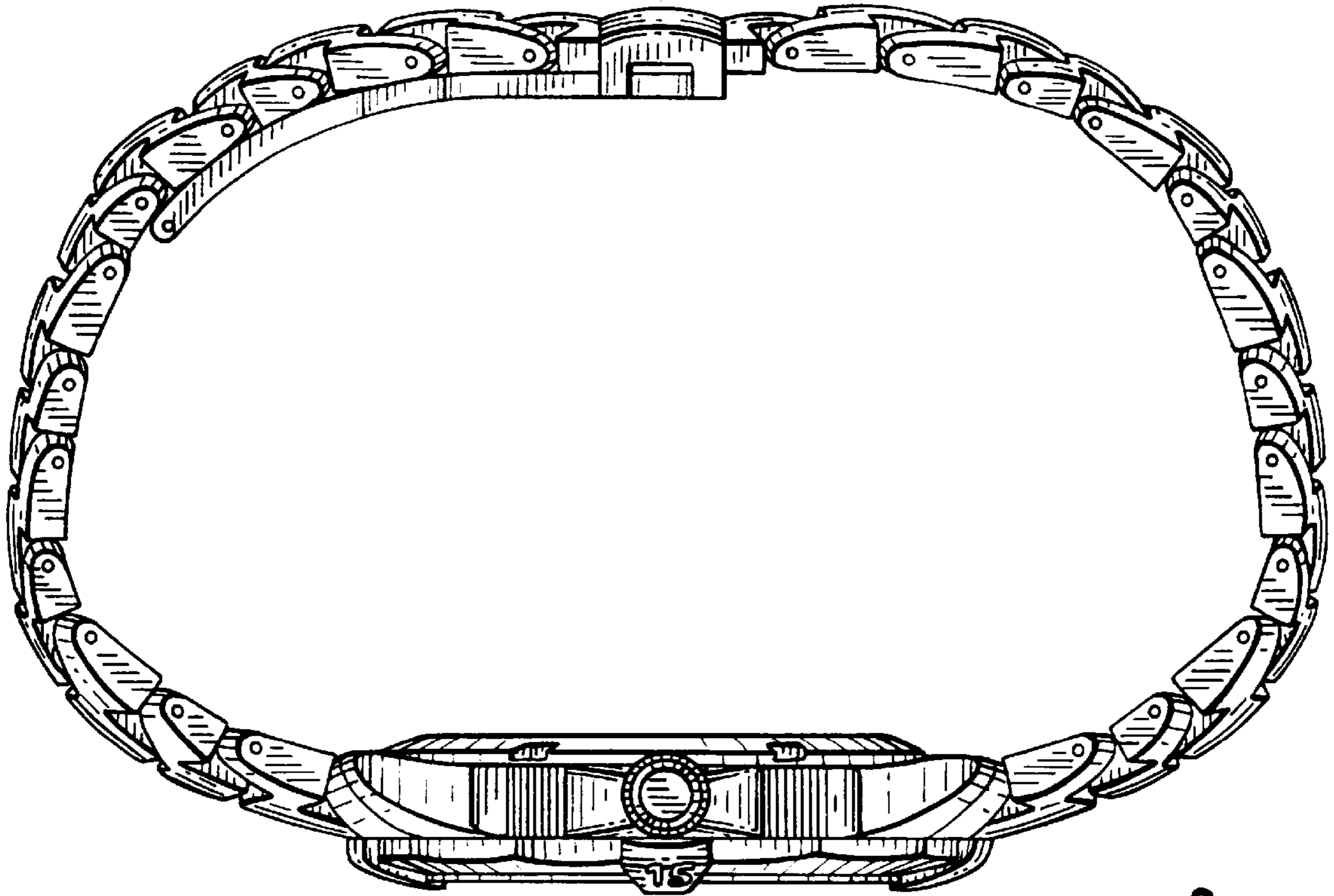


FIG. 2

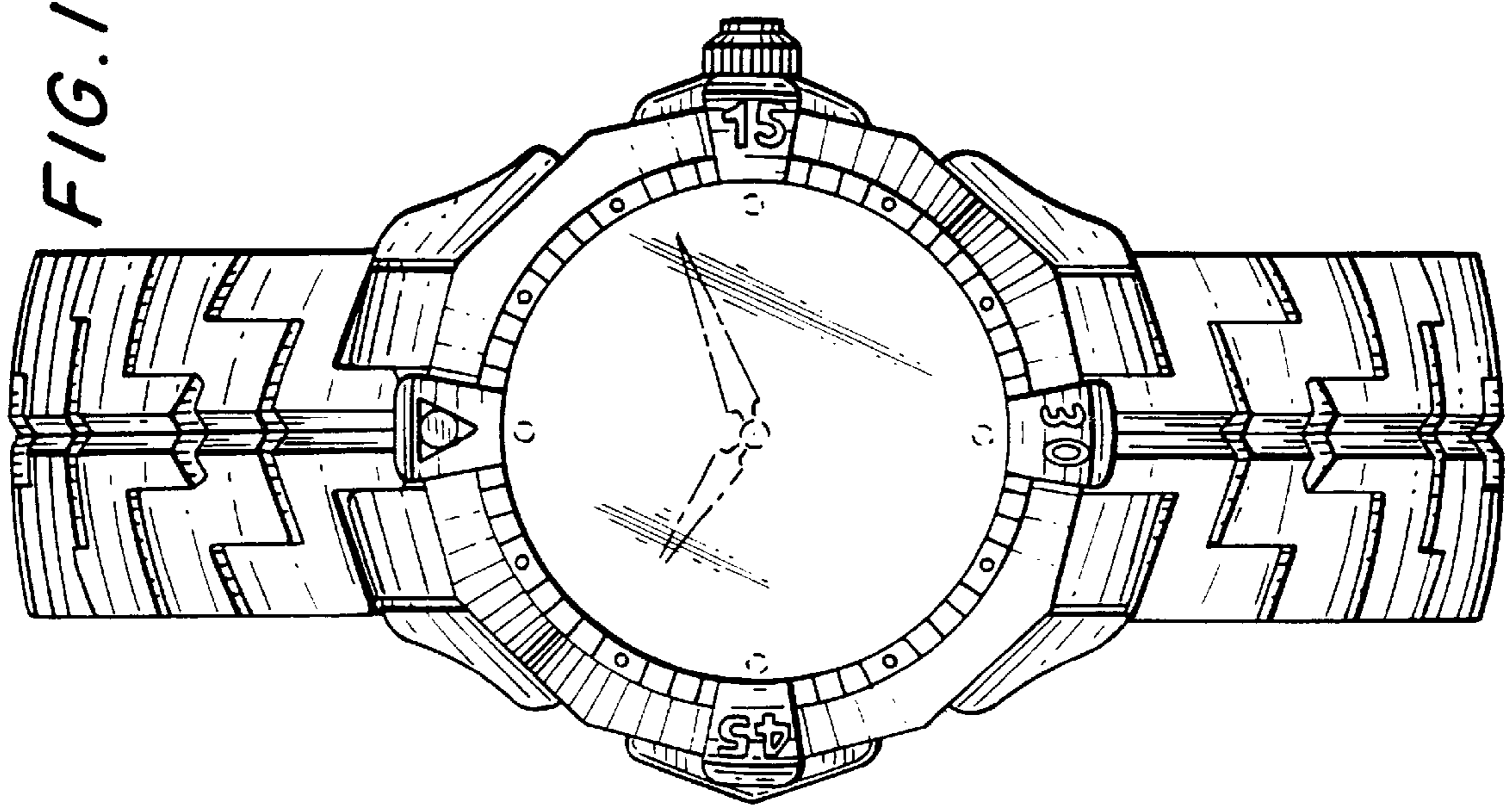


FIG. 1

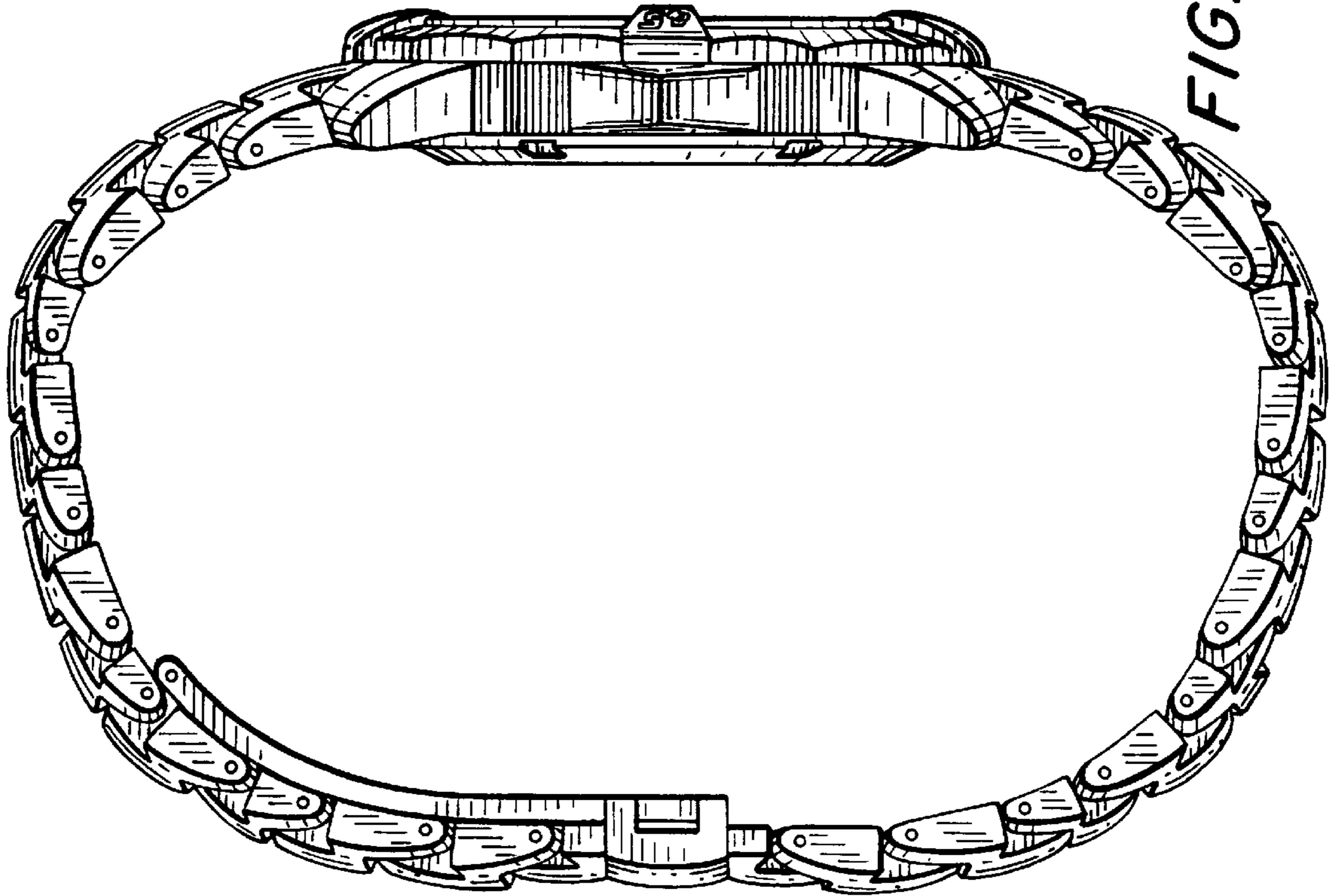


FIG. 4

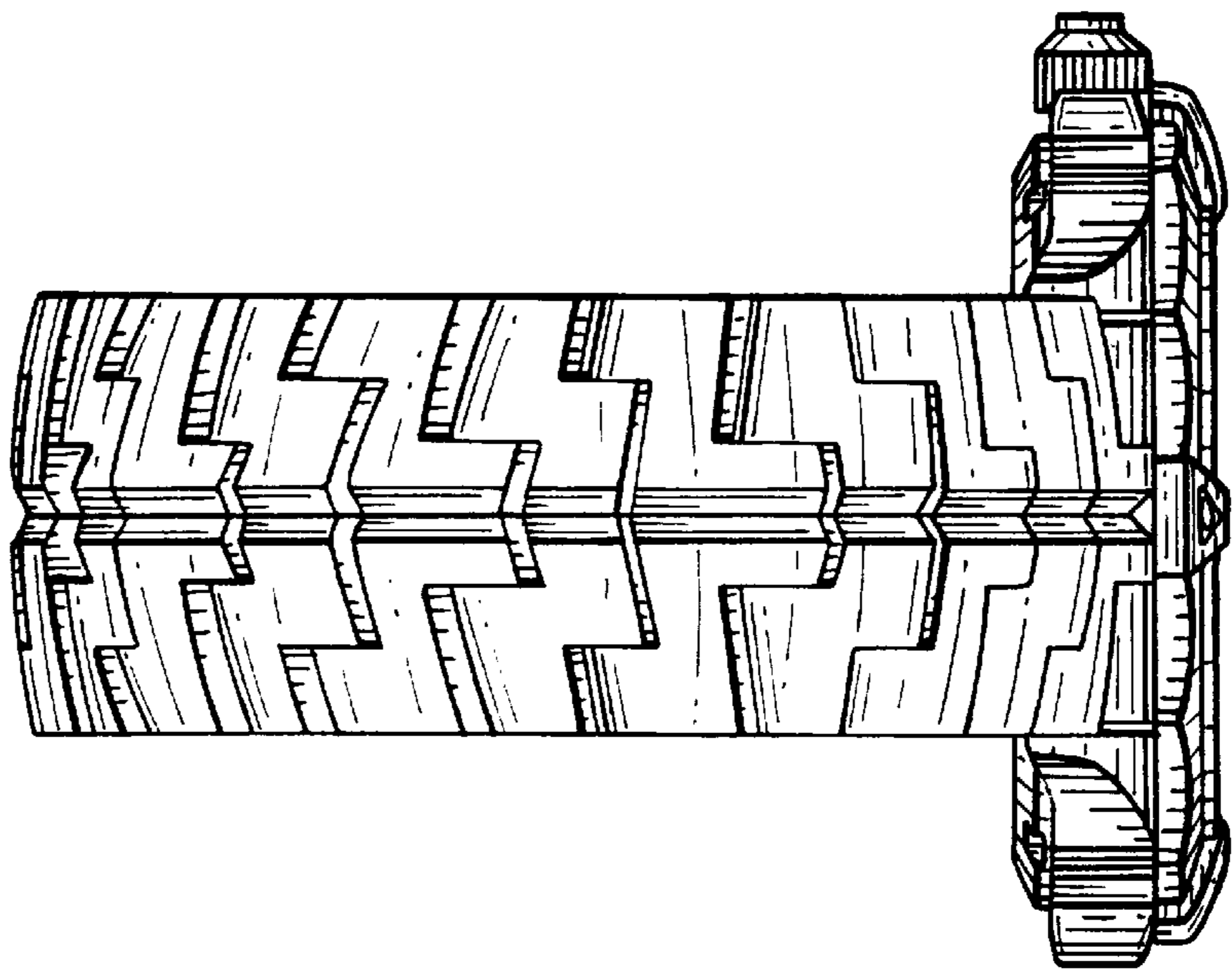


FIG. 3

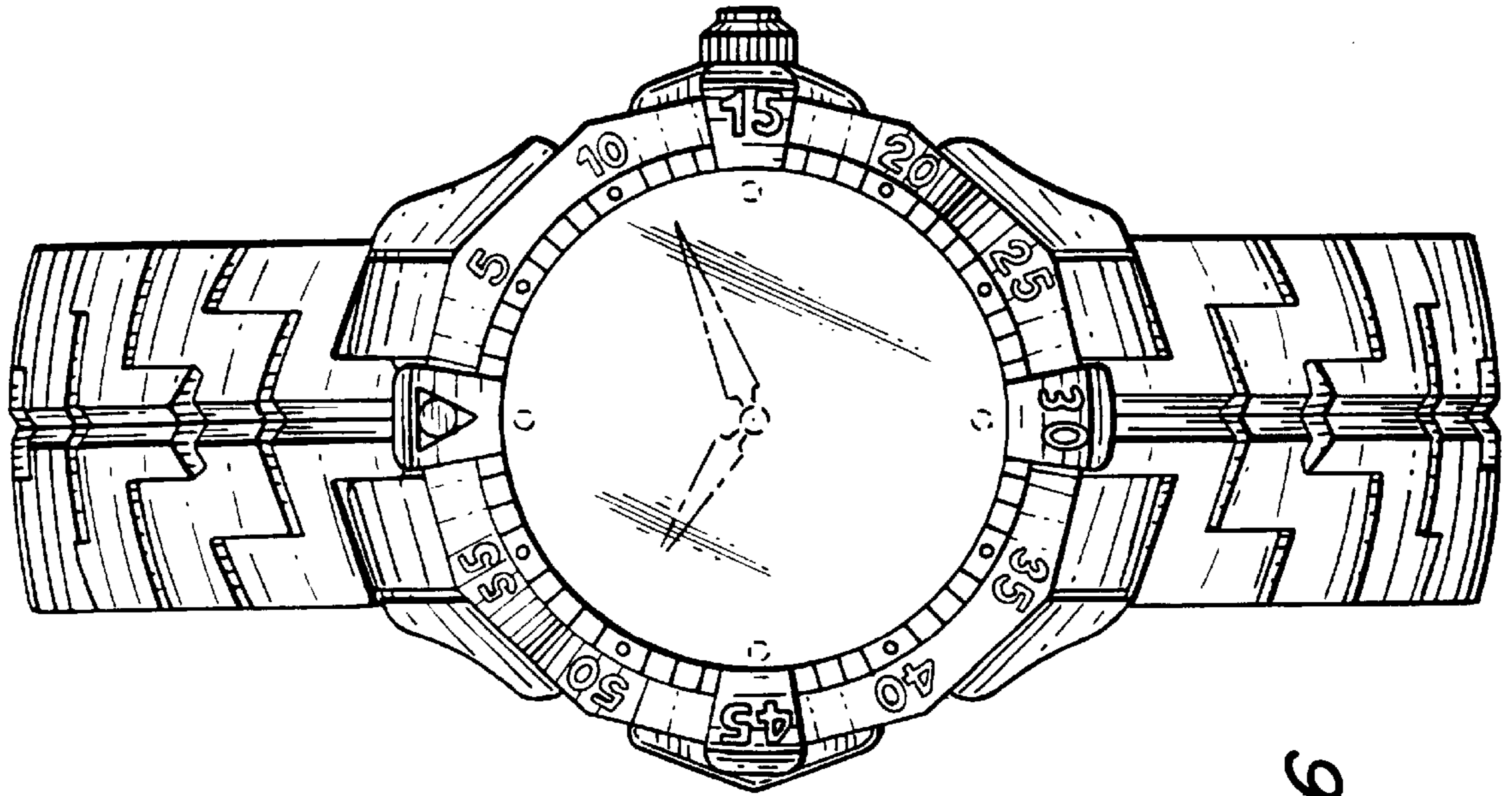


FIG. 5

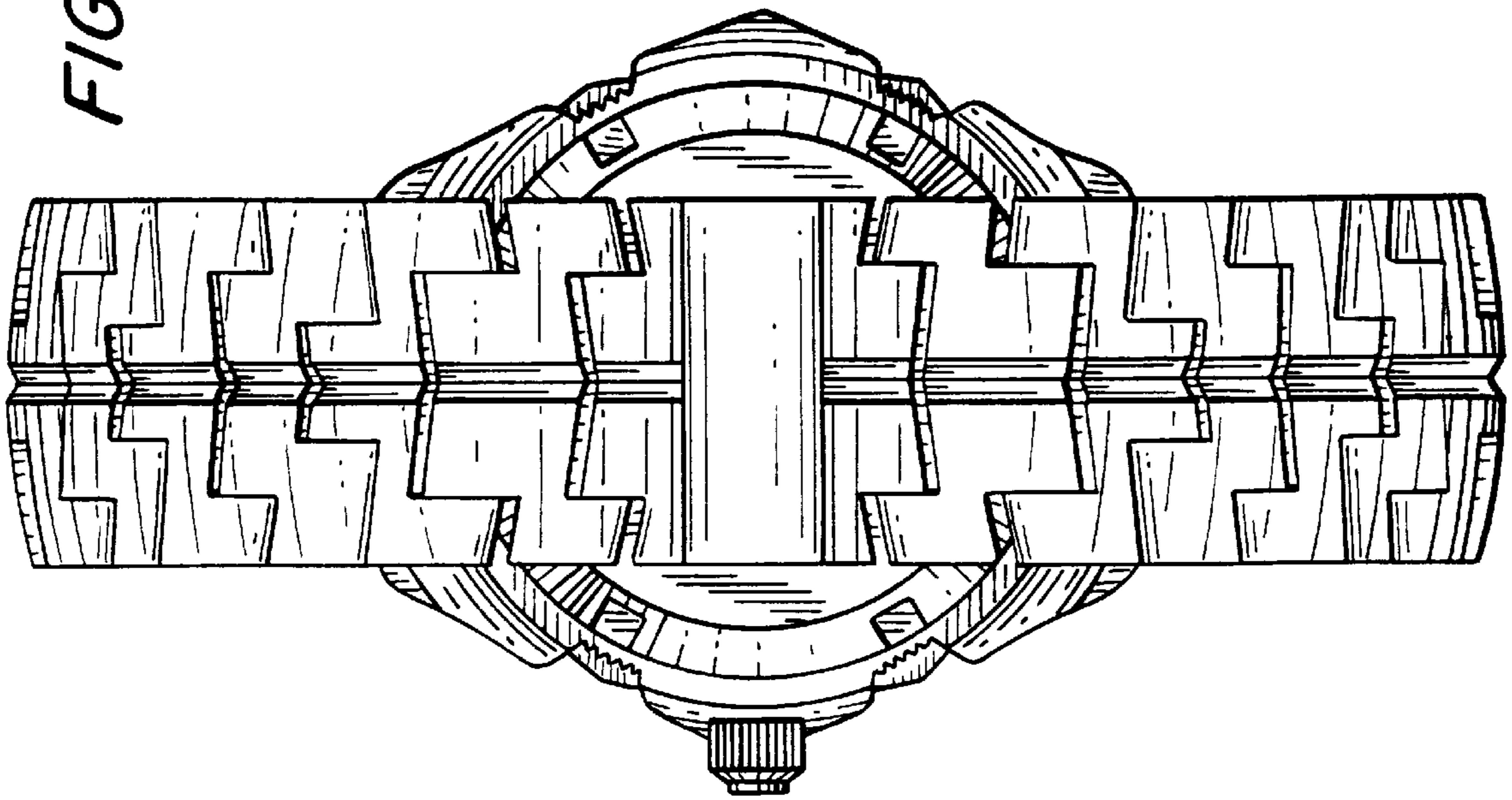


FIG. 6