



US00D403596S

# United States Patent [19] Charriol

[11] **Patent Number:** **Des. 403,596**

[45] **Date of Patent:** **\*\*Jan. 5, 1999**

[54] **WRIST WATCH CASE**

D. 386,094 11/1997 Ventrella ..... D10/30  
2,230,330 2/1941 Marti .

[76] Inventor: **Philippe Charriol**, 3A Monticello 48  
Kennedy Road, Hong Kong, Hong  
Kong

*Primary Examiner*—Nelson C. Holtje  
*Attorney, Agent, or Firm*—Darby & Darby

[\*\*] Term: **14 Years**

[57] **CLAIM**

[21] Appl. No.: **86,067**

The ornamental design for a wrist watch case, as shown and described.

[22] Filed: **Apr. 3, 1998**

### DESCRIPTION

[51] **LOC (6) Cl.** ..... **10-02**

[52] **U.S. Cl.** ..... **D10/30; D10/39**

[58] **Field of Search** ..... D10/1-40, 122-132;  
368/280-282, 276-277, 285

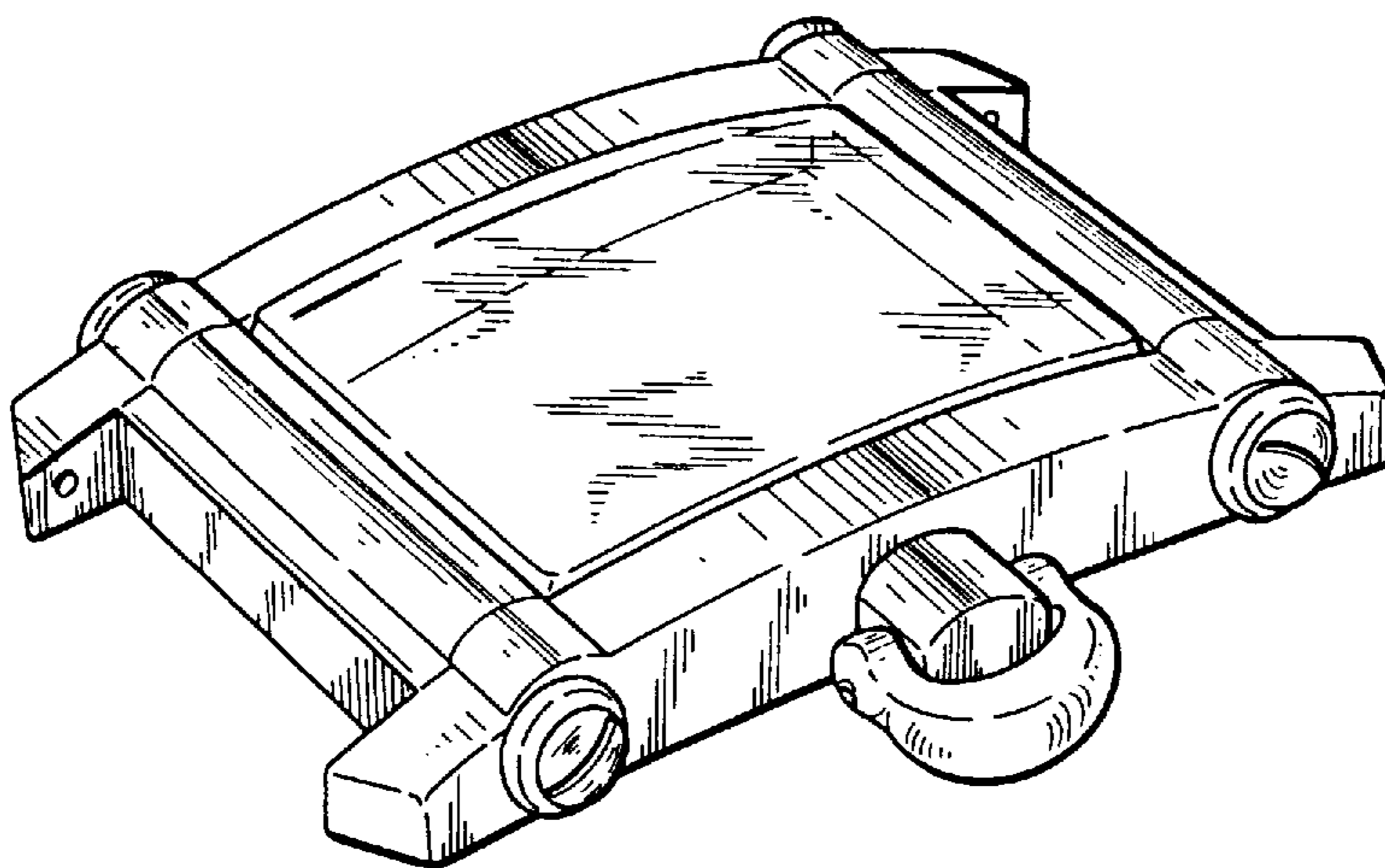
FIG. 1 is a front perspective view of a wrist watch case showing my new design;  
FIG. 2 is a top plan view thereof;  
FIG. 3 is a bottom plan view thereof;  
FIG. 4 is a front side view thereof;  
FIG. 5 is a rear side view thereof;  
FIG. 6 is a left side elevational view thereof; and,  
FIG. 7 is a right side elevational view thereof.

### [56] **References Cited**

#### U.S. PATENT DOCUMENTS

- D. 302,132 7/1989 Woomer ..... D10/39
- D. 324,655 3/1992 Bulgari ..... D10/37
- D. 378,355 3/1997 Charriol ..... D10/30

**1 Claim, 2 Drawing Sheets**



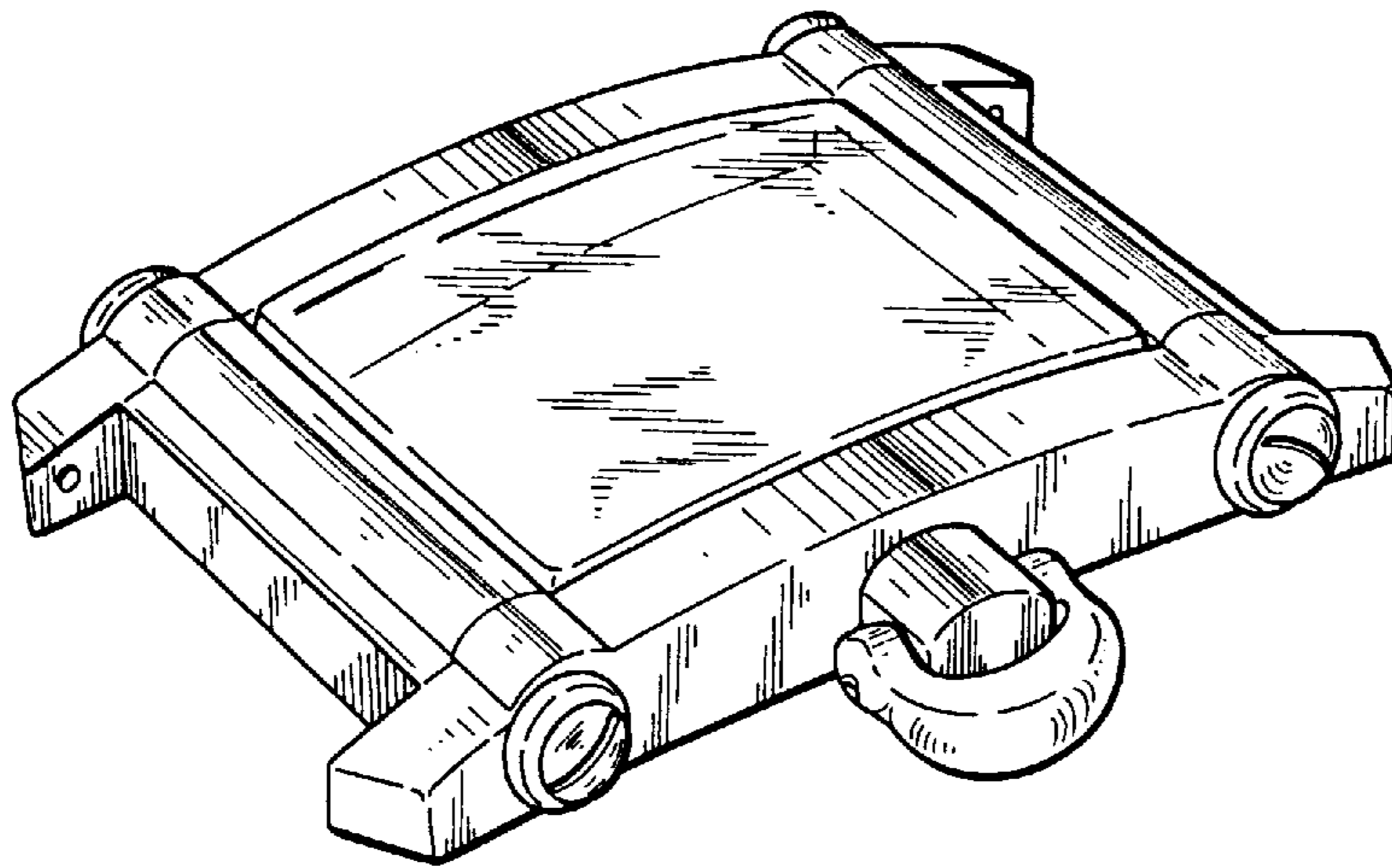


FIG. 1

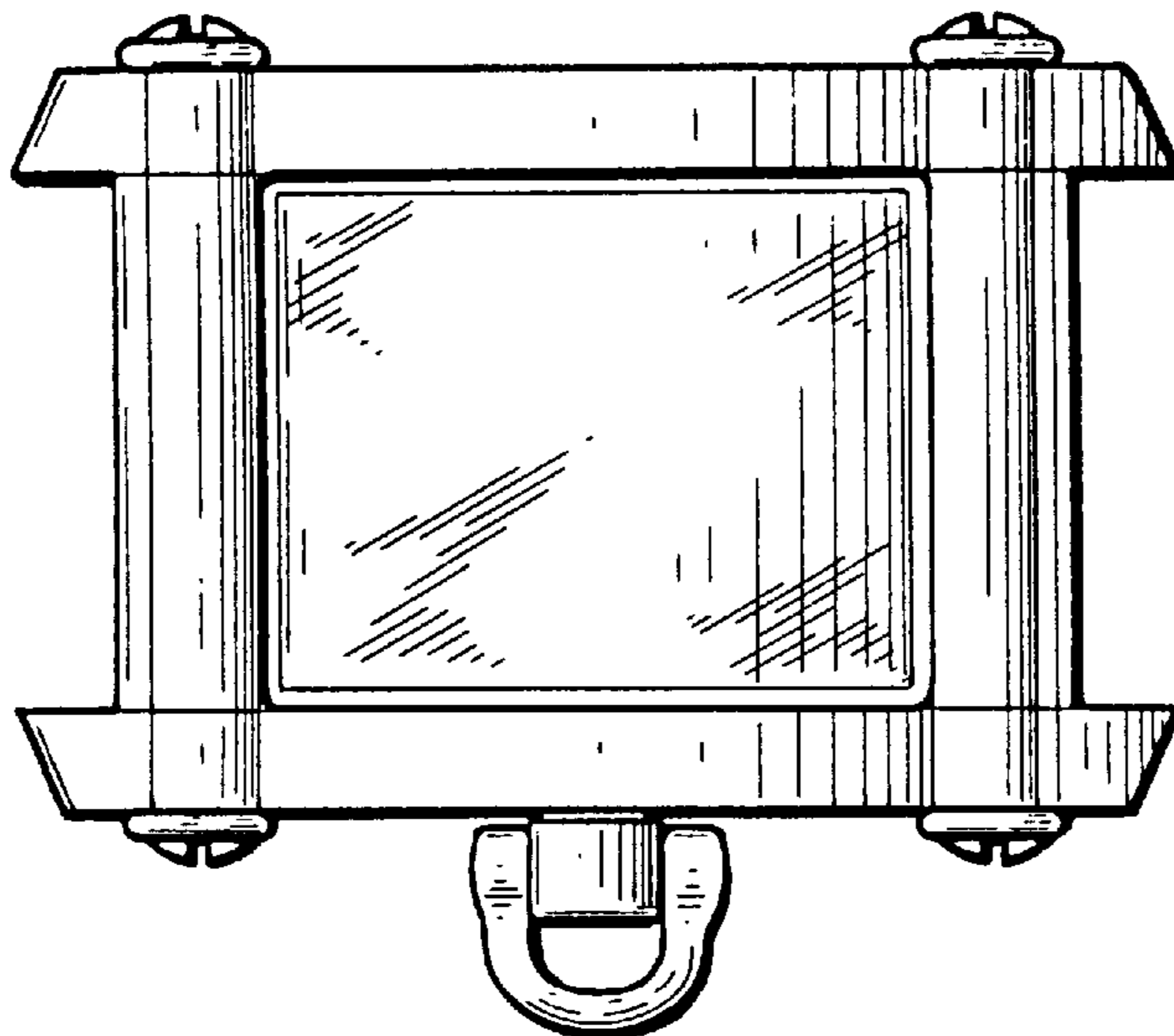


FIG. 2

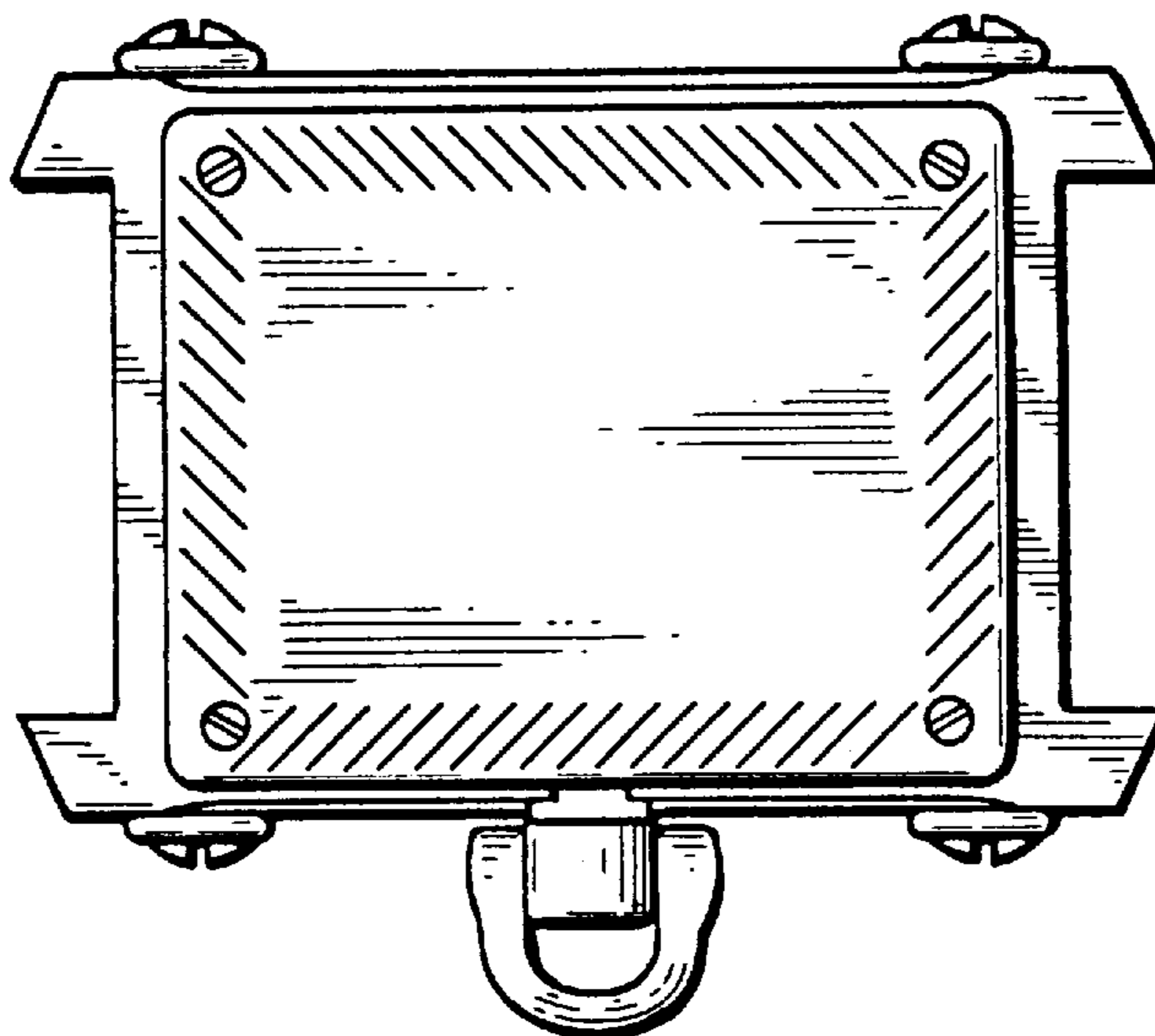
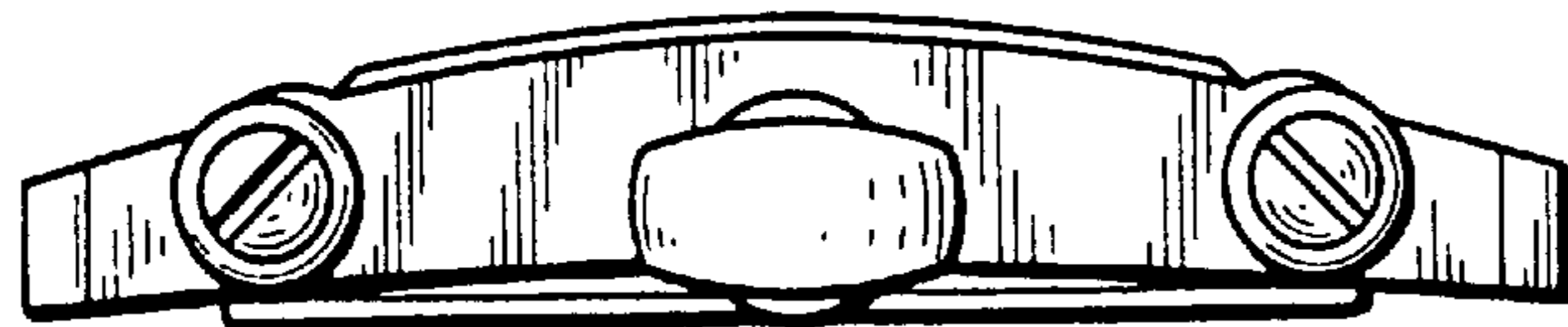


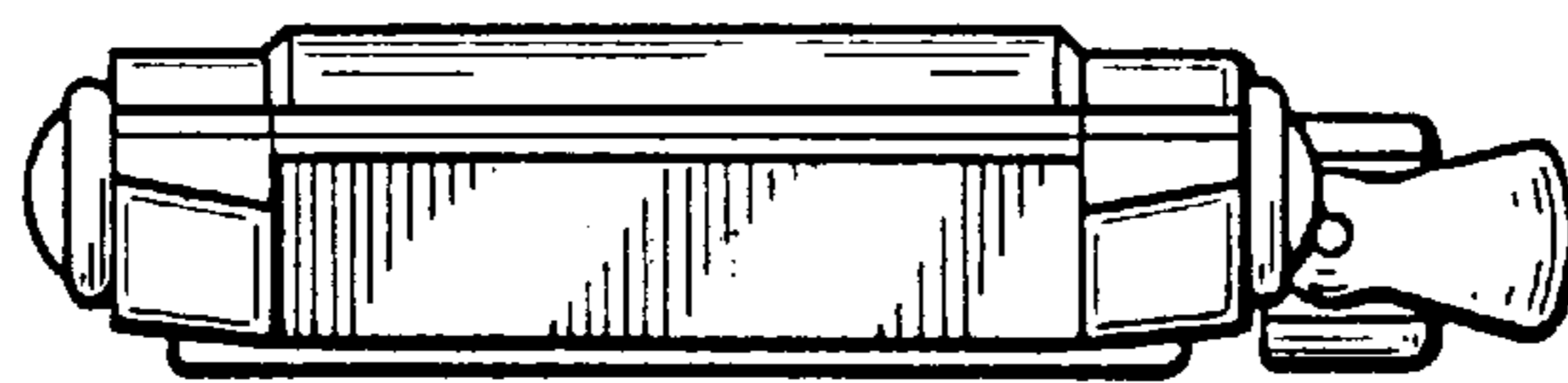
FIG. 3



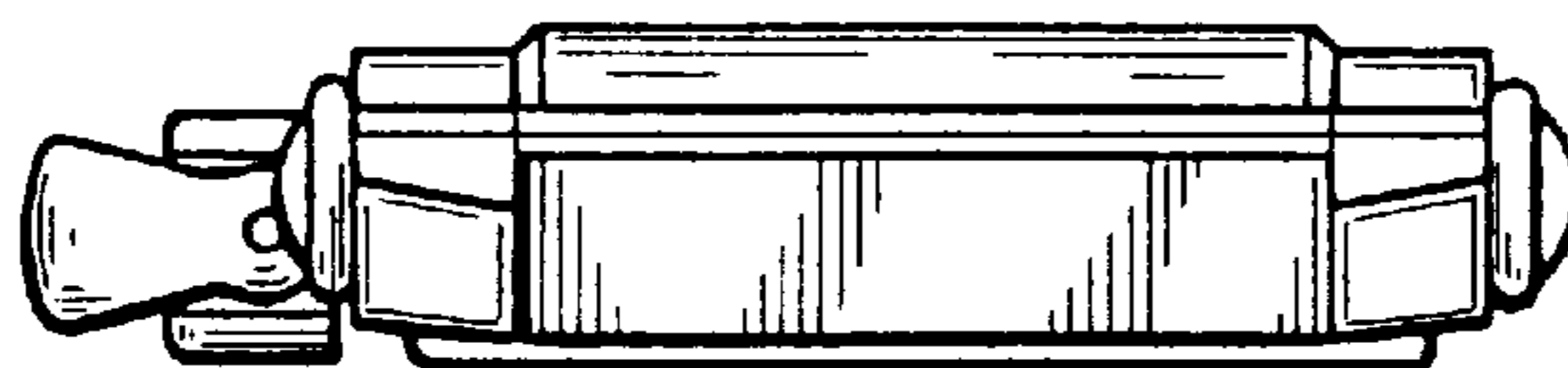
*FIG. 4*



*FIG. 5*



*FIG. 6*



*FIG. 7*