



US00D403586S

# United States Patent [19] Bakic

[11] **Patent Number: Des. 403,586**

[45] **Date of Patent: \*\*Jan. 5, 1999**

[54] **JAR CAP**

[75] Inventor: **Dieter Gottlieb Bakic**, Milan, Italy

[73] Assignee: **The Project Consultancy Limited**,  
West Sussex, England

[\*\*] Term: **14 Years**

[21] Appl. No.: **72,072**

[22] Filed: **Jun. 18, 1997**

[51] **LOC (6) Cl. .... 09-07**

[52] **U.S. Cl. .... D9/454**

[58] **Field of Search** ..... D9/435, 436, 439,  
D9/440, 442, 454, 503, 504, 505, 529,  
545; D7/392, 401.1, 591; D28/76, 78, 82;  
215/200, 48; 220/200, 213

[56] **References Cited**

**U.S. PATENT DOCUMENTS**

Re. 9,674	4/1881	Newton	.....	D7/591
D. 84,683	7/1931	Davis	.....	D9/503
D. 99,430	4/1936	Chase	.....	D9/503
D. 112,513	12/1938	Carvalho	.....	D9/454
D. 190,303	5/1961	Conklin	.....	D9/443
D. 282,529	2/1986	Pereira et al.	.....	D9/529
D. 381,867	8/1997	Jeppesen et al.	.....	D7/401.1

D. 391,162	2/1998	Kokenge	.....	D9/504
3,163,318	12/1964	Frank	.....	D9/436 X
4,463,867	8/1984	Nagel	.....	215/48 X

*Primary Examiner*—James Gandy  
*Assistant Examiner*—Cathron B. Matta  
*Attorney, Agent, or Firm*—McAulay Nissen Goldberg Kiel  
& Hand, LLP

[57] **CLAIM**

The ornamental design for a jar cap, as shown and described.

**DESCRIPTION**

FIG. 1 is a perspective view of a jar cap showing my new design;

FIG. 2 is a front elevational view thereof, the rear elevational view, the right side view, and the side view being the same;

FIG. 3 is a top plan view thereof;

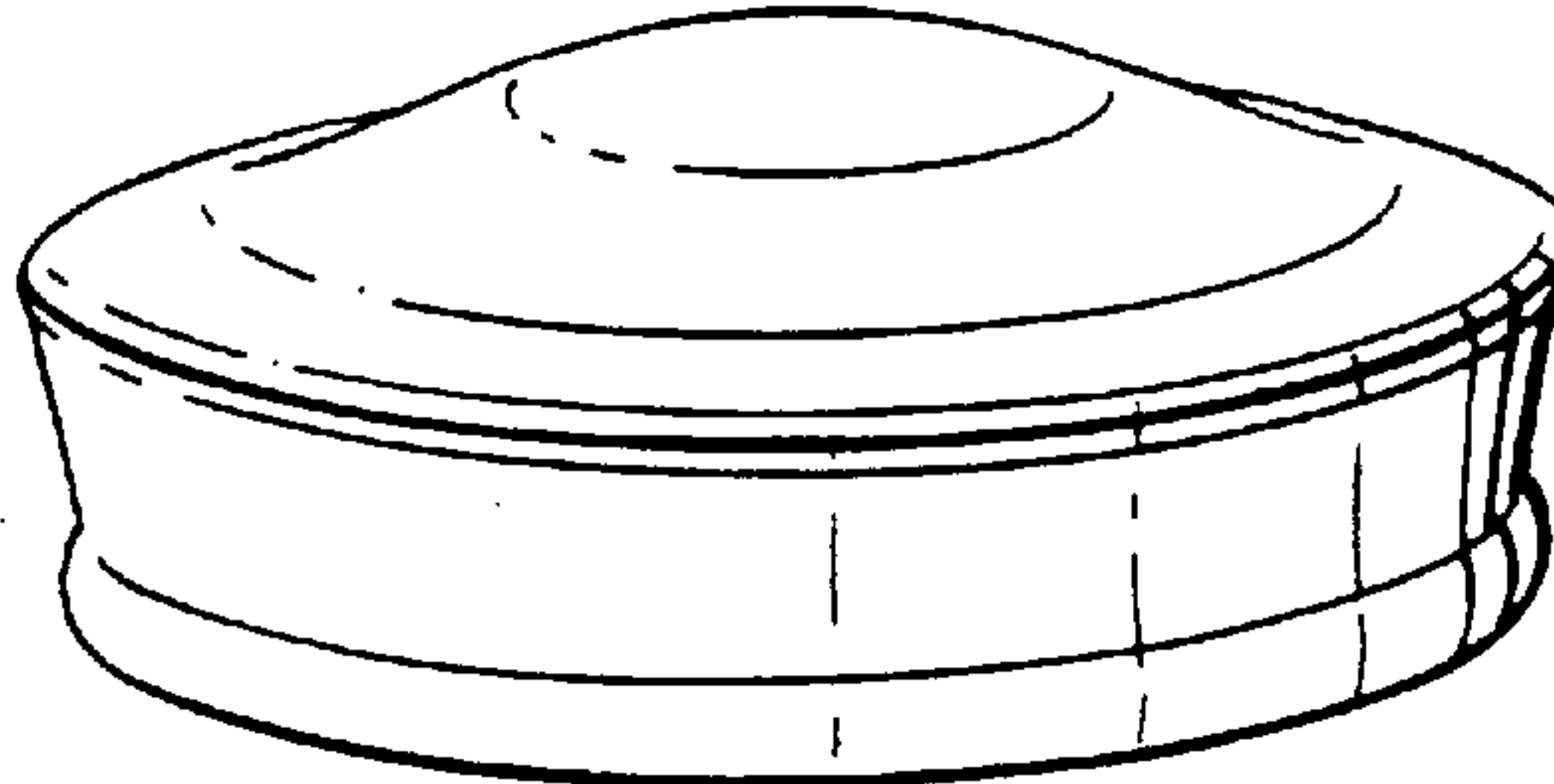
FIG. 4 is a perspective view of a jar cap showing a second embodiment of new design;

FIG. 5 is a front elevational view of FIG. 4, the rear elevational view, the right side view, and the left side view being the same; and,

FIG. 6 is a top plan view of FIG. 4.

The bottom and interior of the bottle cap form no part of the claimed design.

**1 Claim, 2 Drawing Sheets**



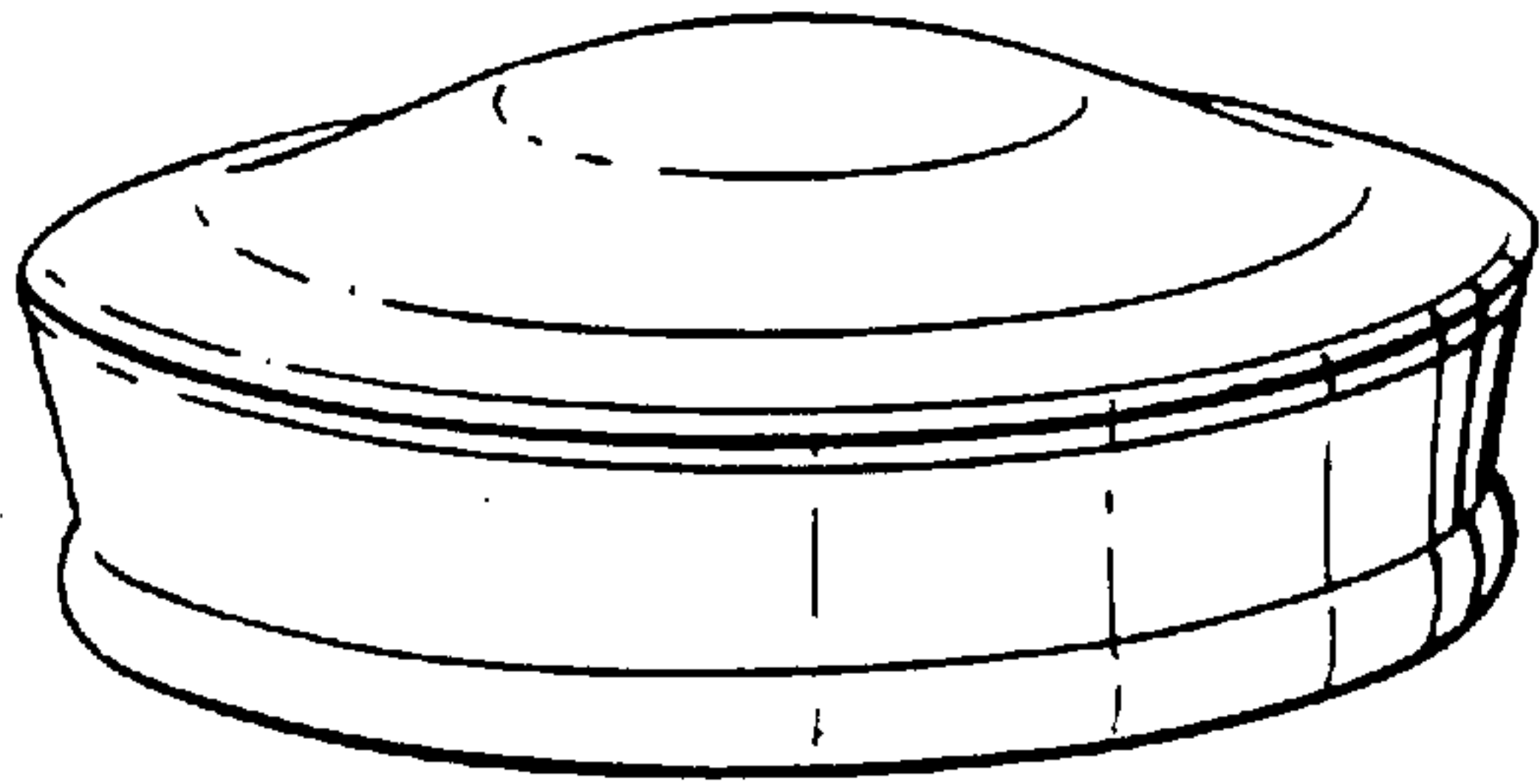


FIG. 1

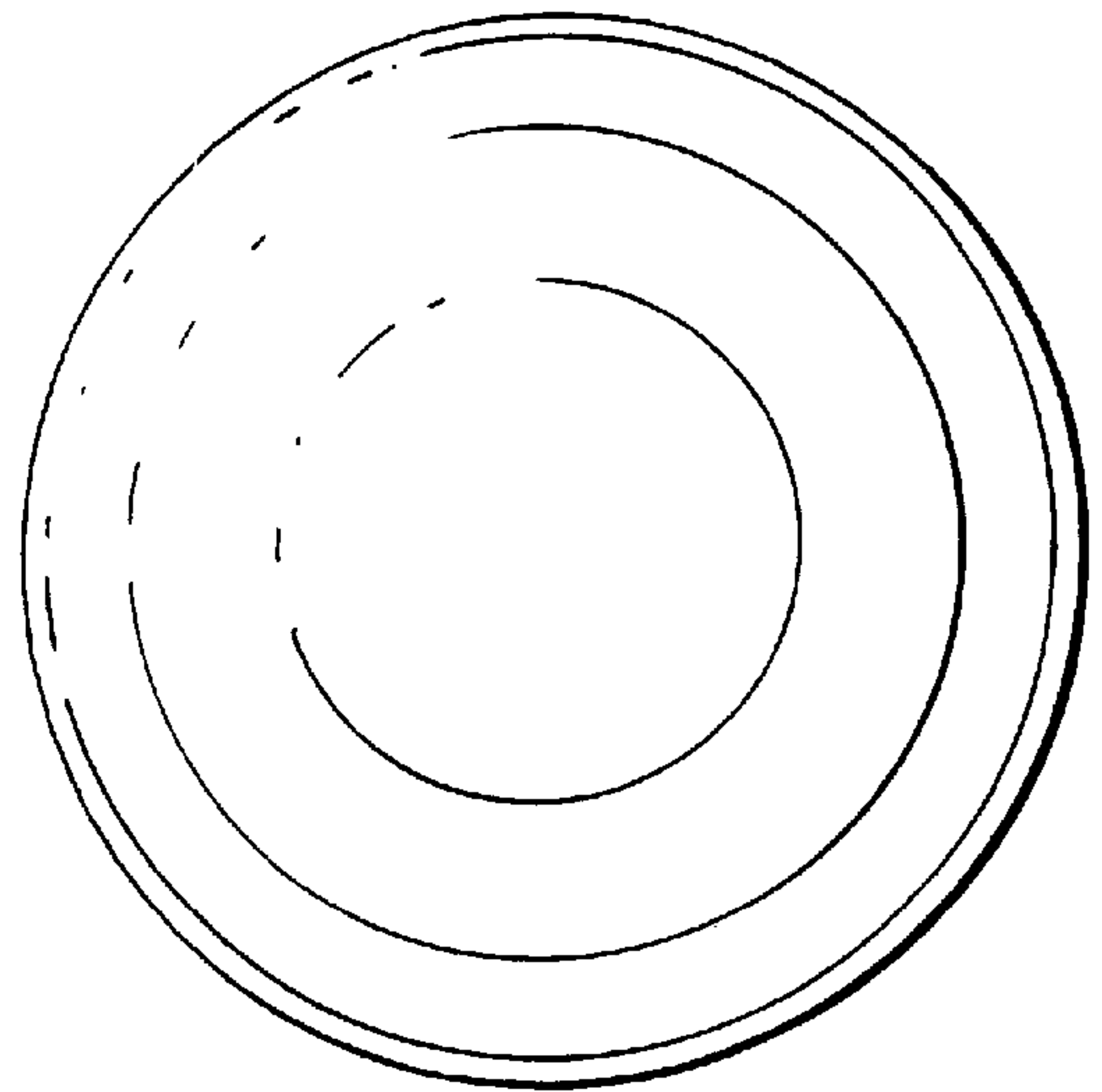


FIG. 3

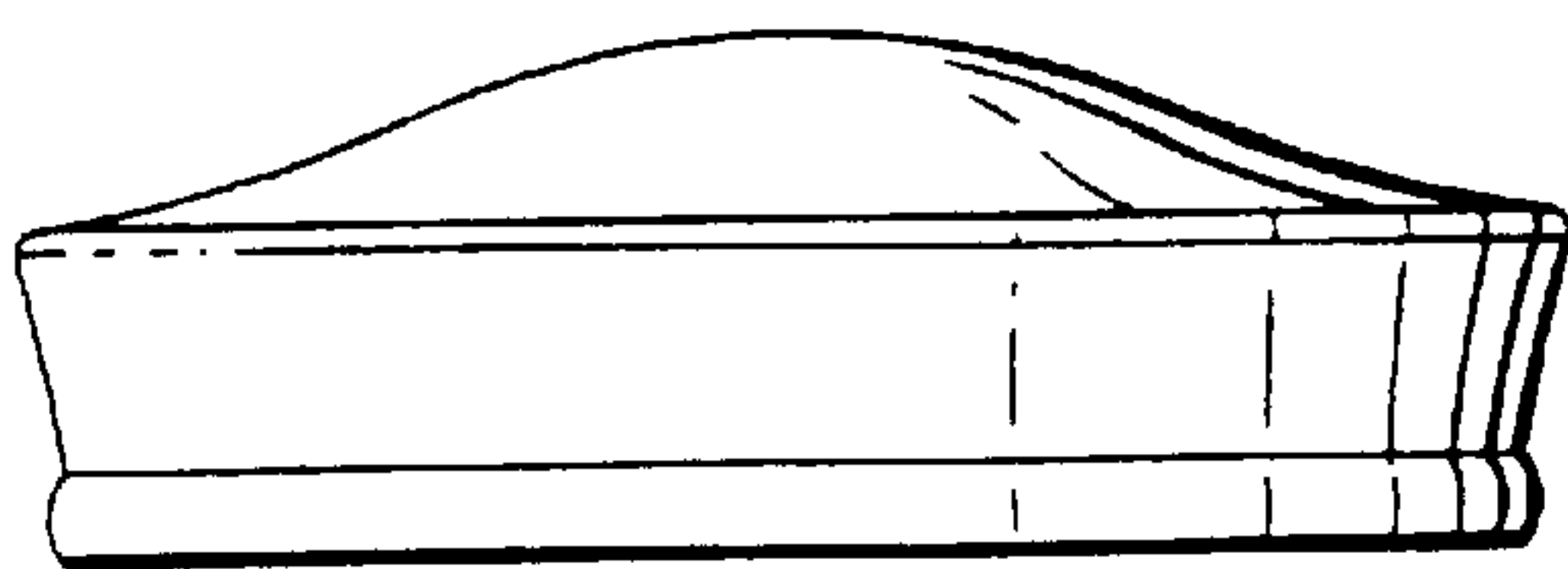


FIG. 2

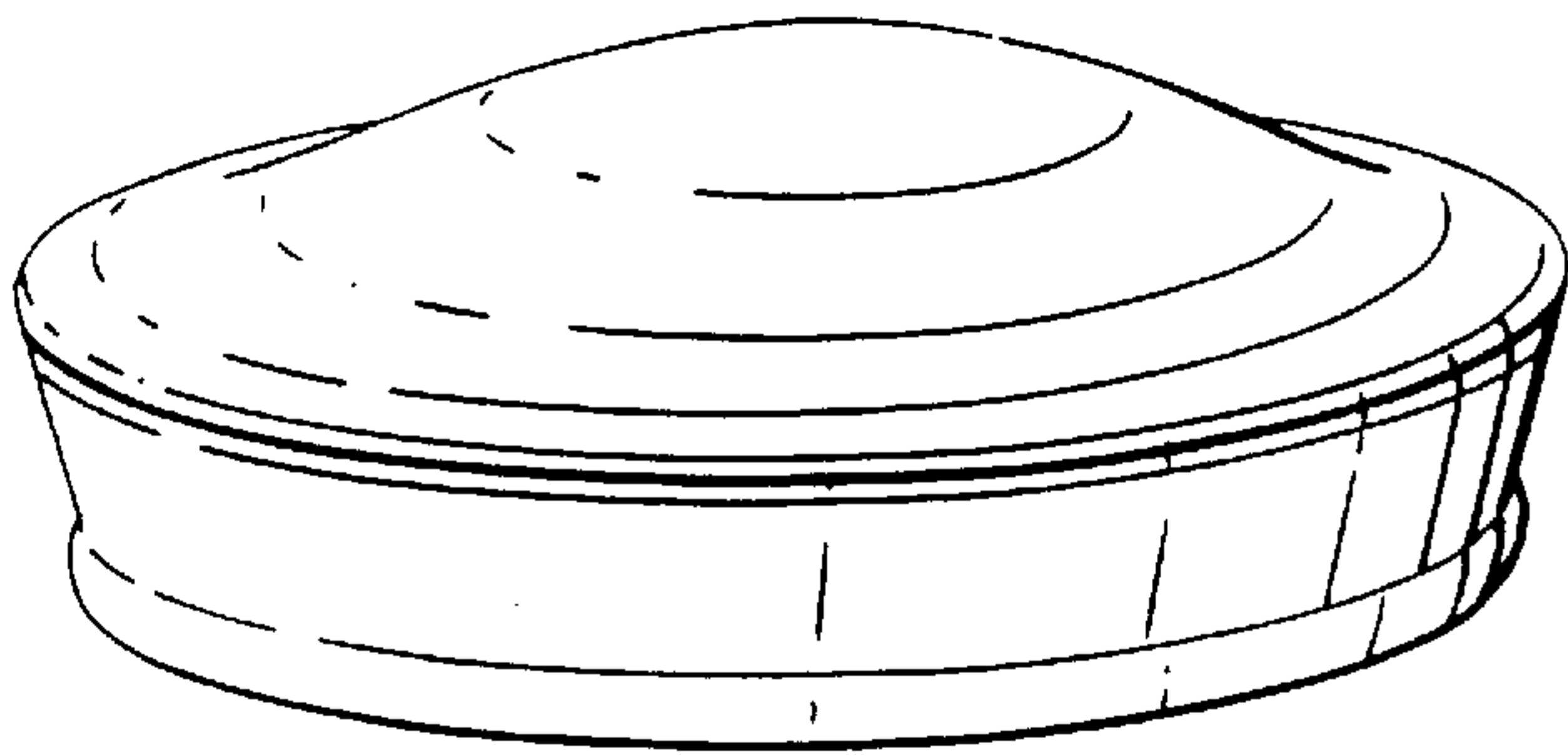


FIG. 4

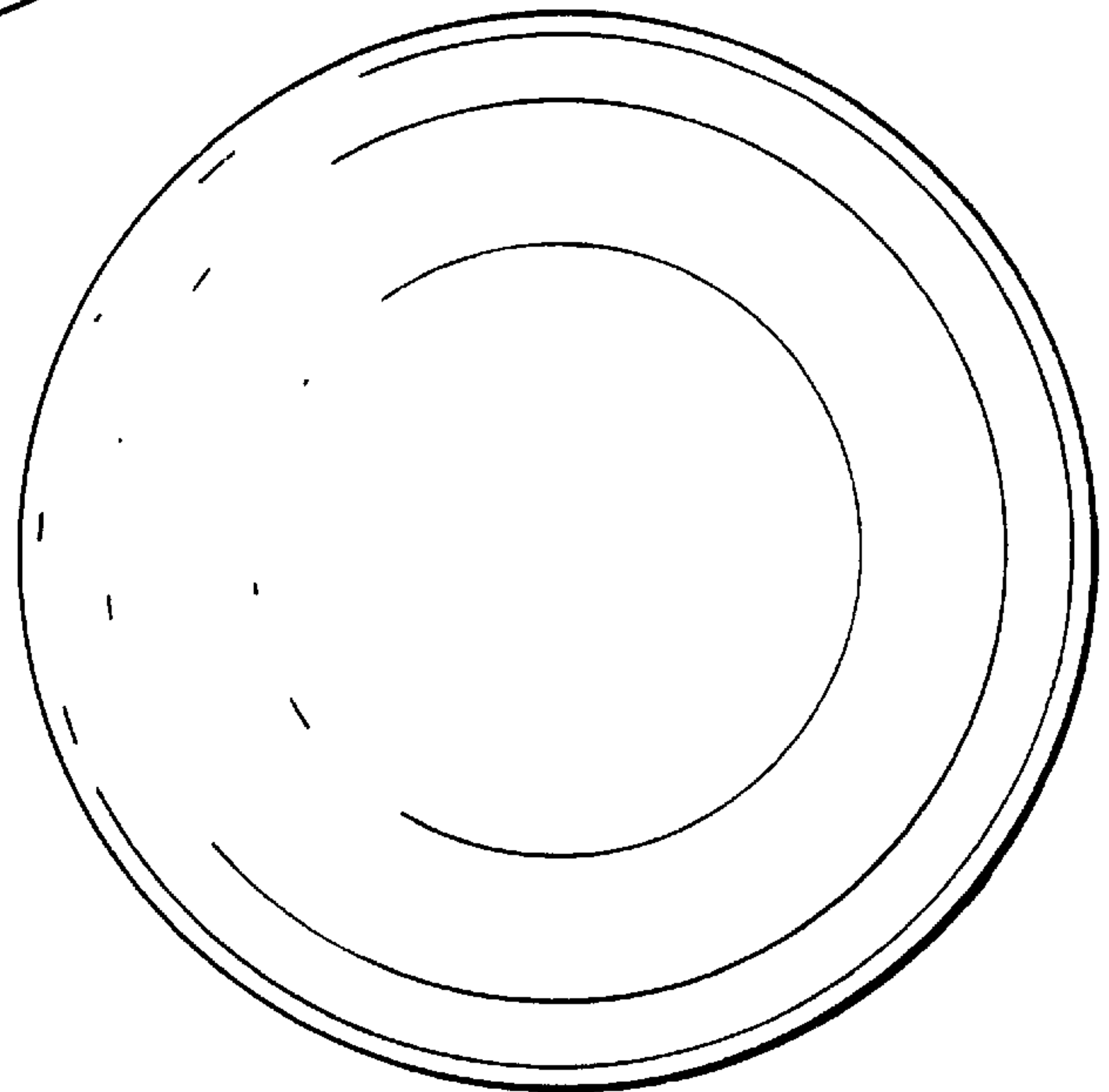


FIG. 6

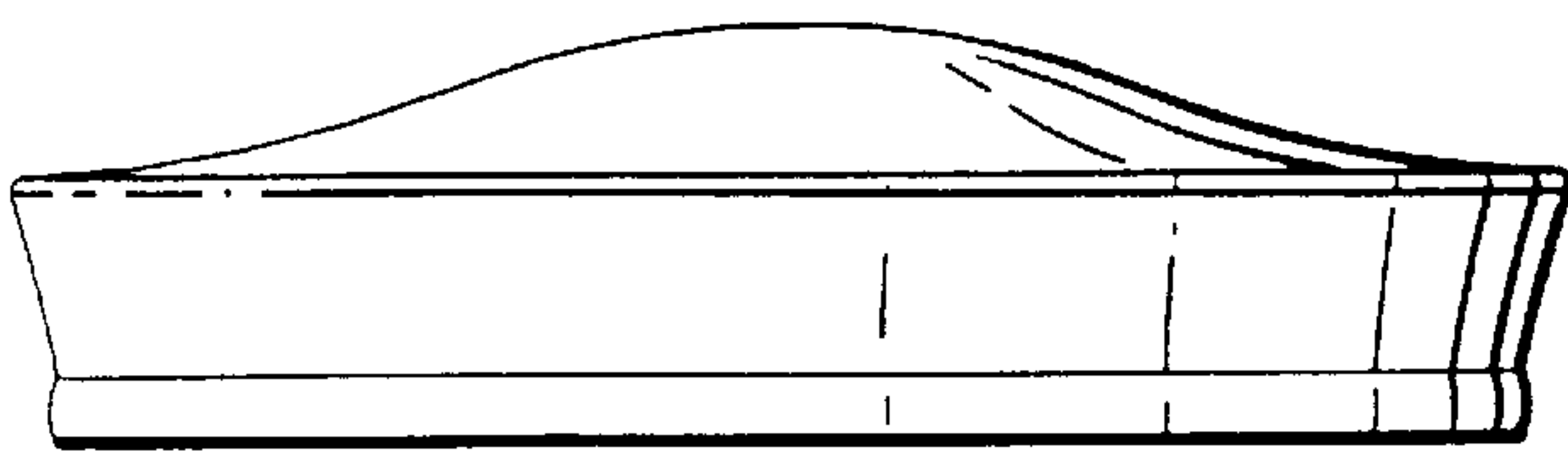


FIG. 5