



US00D403582S

United States Patent [19]

Nask et al.

[11] Patent Number: Des. 403,582

[45] Date of Patent: **Jan. 5, 1999

[54] CONTAINER COVER ASSEMBLY

[75] Inventors: **Aleene F. Nask**, West Harrison, N.Y.;
Timmy L. Willett, Waverly, Ky.;
Richard Rhodes, Northport, N.Y.

[73] Assignees: **Olin Corporation**, Cheshire, Conn.;
Berry Plastics Corporation,
Evansville, Ind.

[**] Term: **14 Years**

[21] Appl. No.: **76,085**

[22] Filed: **Aug. 22, 1997**

[51] LOC (6) Cl. **09-07**

[52] U.S. Cl. **D9/435**

[58] Field of Search D9/435, 414, 423,
D9/432, 433, 516, 560, 574; D7/615; 220/254,
780, 789, 796

D. 353,743	12/1994	Jochem et al.	D7/612
D. 358,327	5/1995	Tomasello	D9/424
D. 362,180	9/1995	Haines	D9/424
D. 371,962	7/1996	Petruzzi	D9/424 X
2,120,487	6/1938	Conner .	
2,436,097	2/1948	Clarke .	
2,780,259	2/1957	Nalle, Jr. .	
3,056,525	10/1962	Deinert .	
3,117,692	1/1964	Carpenter et al. .	
3,338,468	8/1967	Wilson .	
3,383,009	5/1968	Weikert .	
3,406,855	10/1968	McKechnie .	
3,419,184	12/1968	Asenbauer .	
3,447,714	6/1969	Elliot .	
3,526,334	9/1970	Ashton et al. .	
3,598,271	8/1971	Holley .	
3,759,416	9/1973	Constantine .	
3,957,097	5/1976	Swett .	
3,989,142	11/1976	Gwilliam, Jr. et al. .	
4,033,473	7/1977	Raley et al. .	
4,113,095	9/1978	Dietz et al. .	
4,286,713	9/1981	Marchais .	
4,288,000	9/1981	Luker et al. .	
4,632,268	12/1986	Melzi et al. .	

[56] **References Cited**

U.S. PATENT DOCUMENTS

D. 205,319	7/1966	Klein .	
D. 218,359	8/1970	Marsh .	
D. 231,184	4/1974	Brown et al. .	
D. 248,090	6/1978	Box .	
D. 248,363	7/1978	Rinaldi	D7/354
D. 270,675	9/1983	Parker .	
D. 284,728	7/1986	Trivison .	
D. 296,671	7/1988	Jordan	D9/431
D. 306,830	3/1990	DeCoster	D9/435
D. 307,716	5/1990	Fitzloff et al.	D9/424
D. 311,334	10/1990	Flynn et al.	D9/424
D. 313,555	1/1991	Jordi	D9/424
D. 316,674	5/1991	Poirier	D9/424
D. 322,760	12/1991	Blanchette	D9/435
D. 323,912	2/1992	Delmerico	D34/5
D. 323,914	2/1992	Doxey et al.	D34/5
D. 326,945	6/1992	Howitt	D34/40
D. 329,200	9/1992	Collins	D9/454
D. 330,674	11/1992	Lyon	D9/420
D. 348,834	7/1994	Wardell, Jr.	D9/435
D. 351,791	10/1994	Morris, Sr.	D9/425
D. 351,792	10/1994	Morris, Sr.	D9/425 X

(List continued on next page.)

Primary Examiner—James Gandy
Assistant Examiner—Cathron B. Matta
Attorney, Agent, or Firm—William A. Simons; Thomas F. Presson; Wiggin & Dana

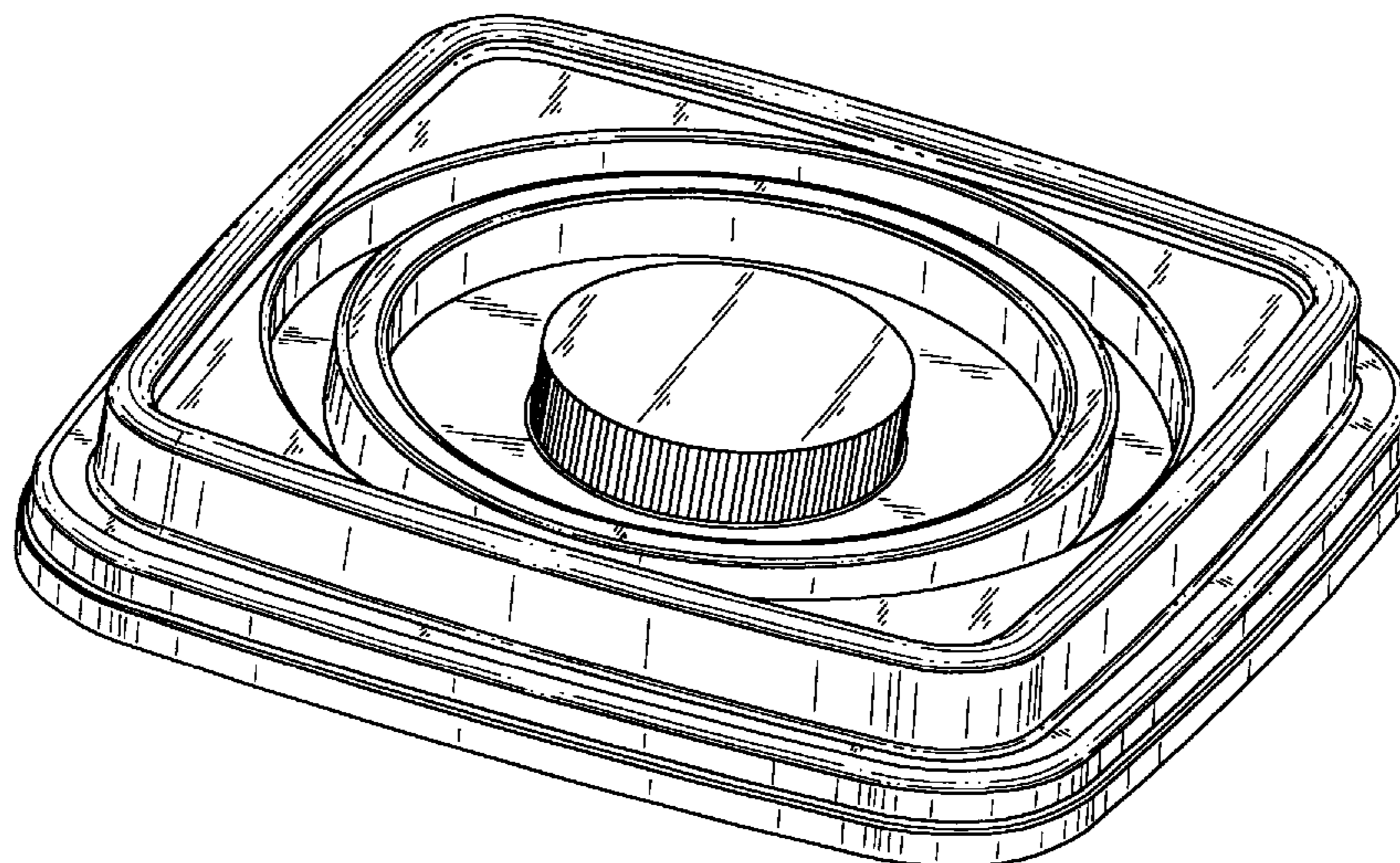
[57] **CLAIM**

The ornamental design for a container cover assembly, as shown and described.

DESCRIPTION

FIG. 1 is a perspective view of the container cover assembly; FIG. 2 is a side elevational view of the container cover assembly as seen from any side thereof, all sides being the same in appearance; FIG. 3 is a top plan view of the container cover assembly; and, FIG. 4 is a bottom plan view of the container cover assembly.

1 Claim, 2 Drawing Sheets



U.S. PATENT DOCUMENTS			
		5,269,438	12/1993 Kelsey 220/766
		5,310,074	5/1994 Jochem et al. 220/296
		5,337,910	8/1994 Picozza 220/203
		5,356,026	10/1994 Andress et al. 220/306
		5,377,858	1/1995 Morris, Sr. 220/254
		5,392,945	2/1995 Syrek 220/608
		5,535,910	7/1996 Cassel 220/212
		B1 4,708,258	11/1987 Shaw et al. 220/288
4,708,258	11/1987	Shaw et al.	220/288
4,779,754	10/1988	Ten Eyck et al.	220/66
4,819,795	4/1989	Swaney	206/278
4,986,433	1/1991	Davis	220/23.8
5,143,219	9/1992	Yates, Jr.	206/508
5,199,570	4/1993	McKenzie	206/503

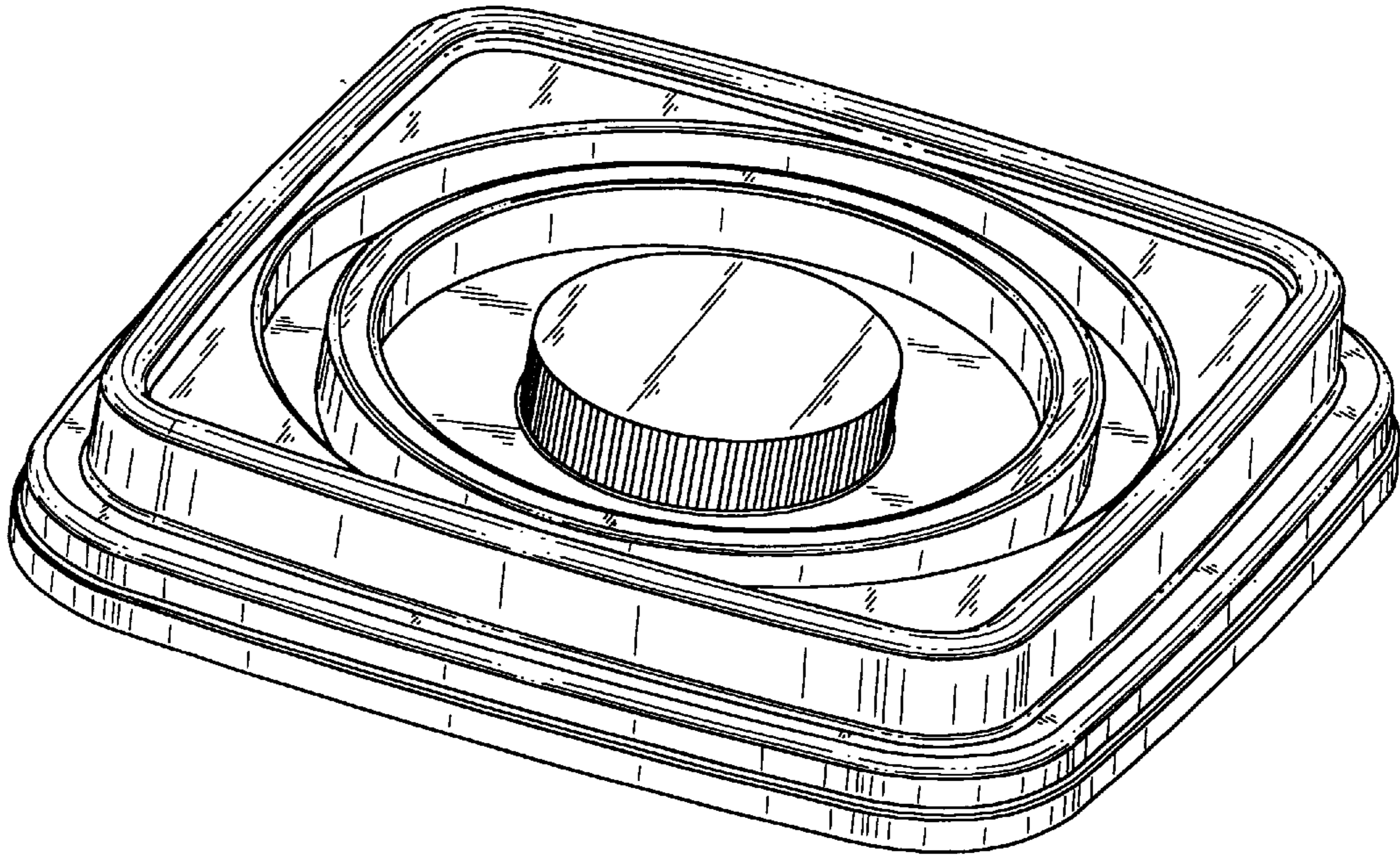


FIG. 1

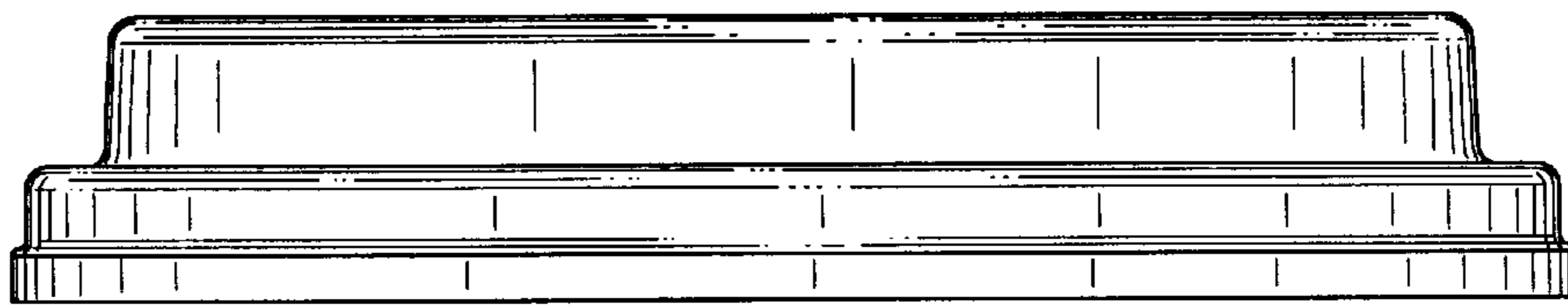


FIG. 2

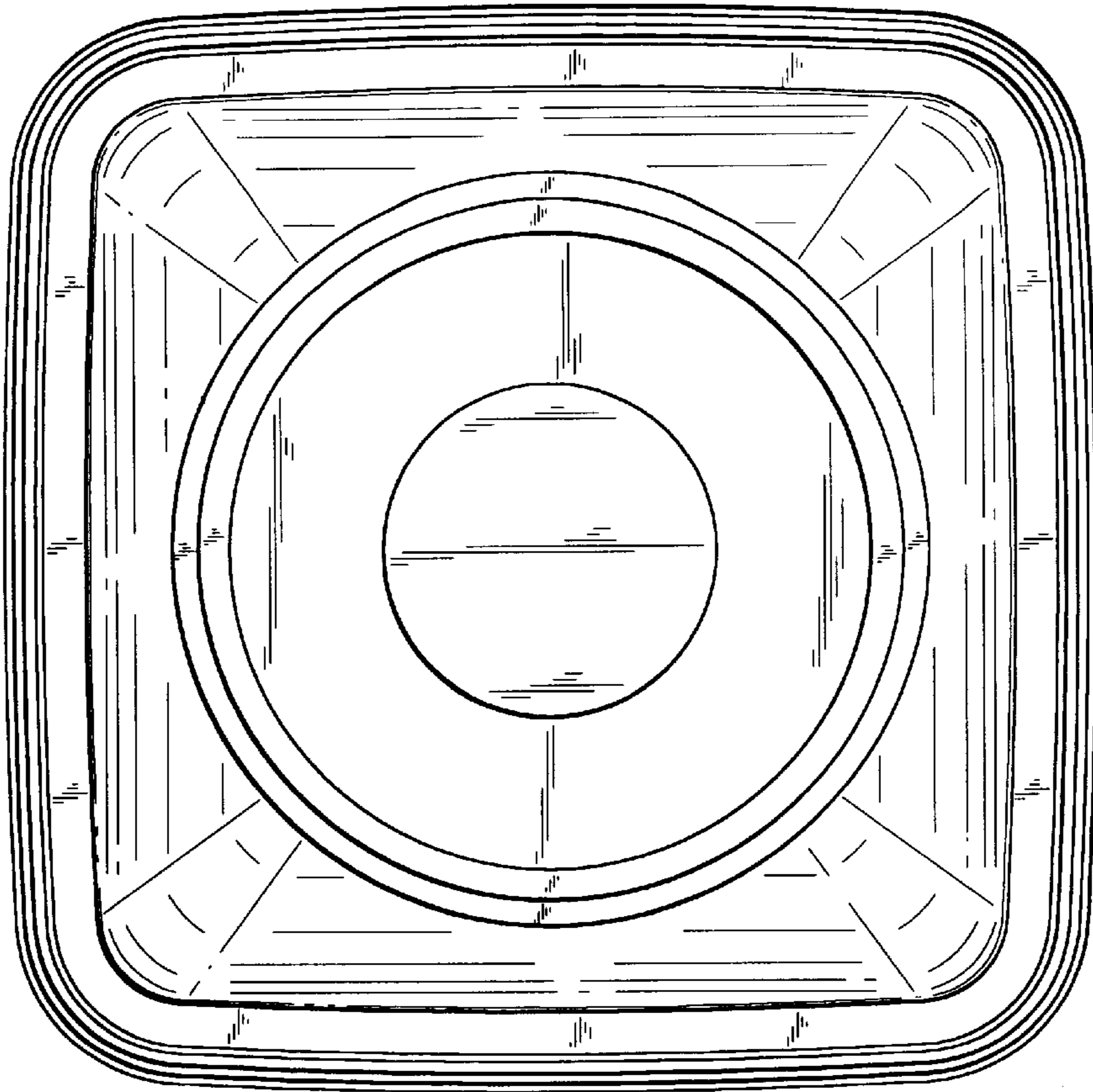


FIG. 4

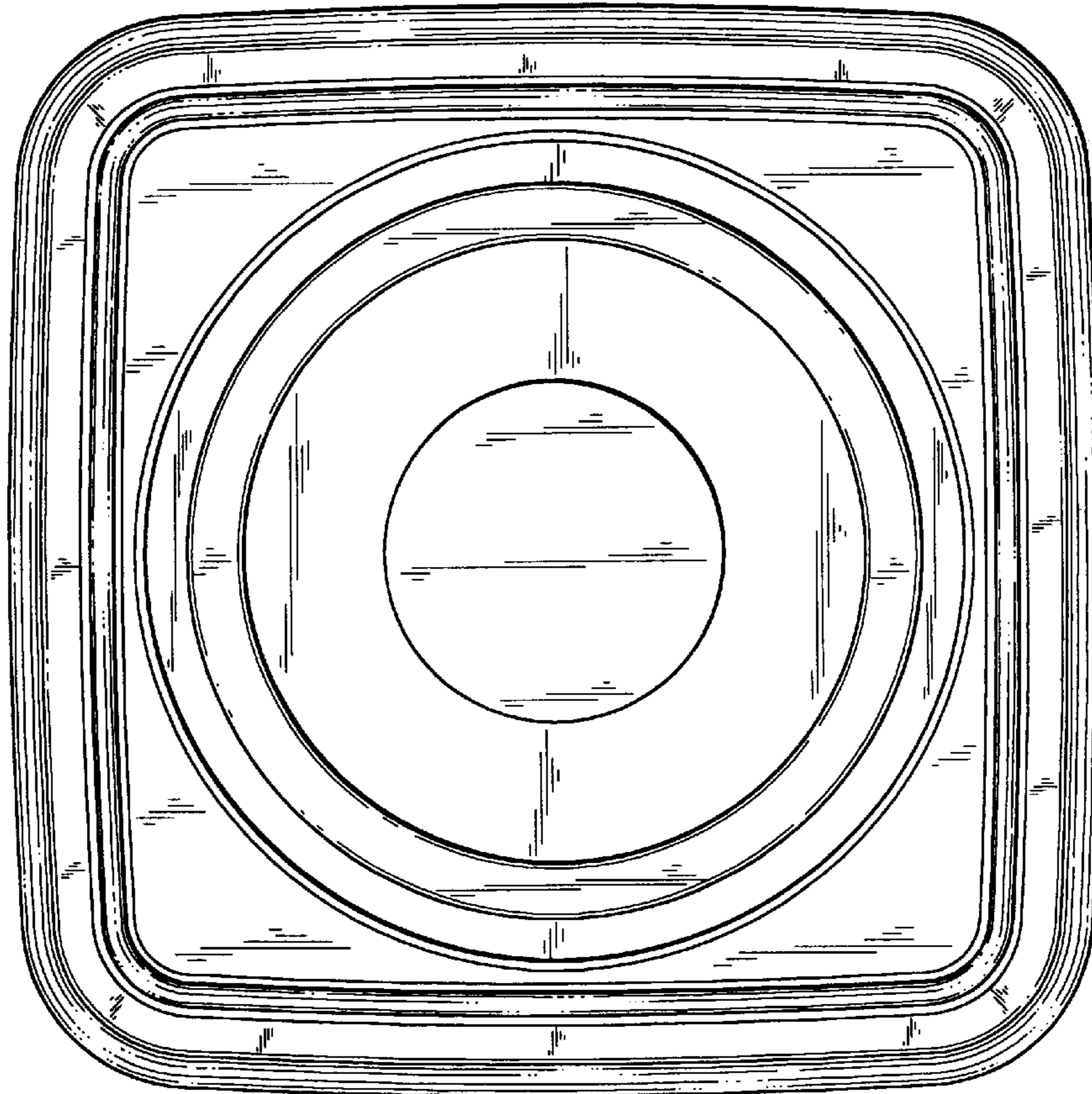


FIG. 3