



US00D403580S

United States Patent [19]
Stading-Mann

[11] **Patent Number: Des. 403,580**

[45] **Date of Patent: **Jan. 5, 1999**

[54] **BOX LID RETAINER**

[76] Inventor: **Carol Stading-Mann**, 1100 Lewis River Rd., Woodland, Wash. 98674

[**] Term: **14 Years**

[21] Appl. No.: **52,073**

[22] Filed: **Mar. 22, 1996**

[51] **LOC (6) Cl.** **09-07**

[52] **U.S. Cl.** **D9/434**

[58] **Field of Search** D9/434; D6/513; D8/395; 24/546; 229/123.1, 125.37; 292/80, 87; D25/119

[56] **References Cited**

U.S. PATENT DOCUMENTS

D. 29,643	11/1898	Conway	D9/434
D. 31,999	12/1899	Grelle	D9/434
D. 228,992	11/1973	Ramsey	D6/513
D. 275,036	8/1984	Lloyd-Jones	D25/119
D. 357,227	4/1995	Smithers	D8/395 X
2,131,115	9/1938	Naisular	D25/119 X
2,803,476	8/1957	Ivanhoe	292/80
3,370,775	2/1968	Link	229/125.37 X

3,381,992	5/1968	Friesen	292/87
3,499,674	3/1970	Voran et al.	292/87
3,572,428	3/1971	Monaco	24/546 X
4,920,709	5/1990	Garries et al.	52/631 X

FOREIGN PATENT DOCUMENTS

672572	5/1952	United Kingdom	24/546
894043	4/1962	United Kingdom	24/546

Primary Examiner—James Gandy
Assistant Examiner—Cathron B. Matta
Attorney, Agent, or Firm—Harold H. Dutton, Jr.

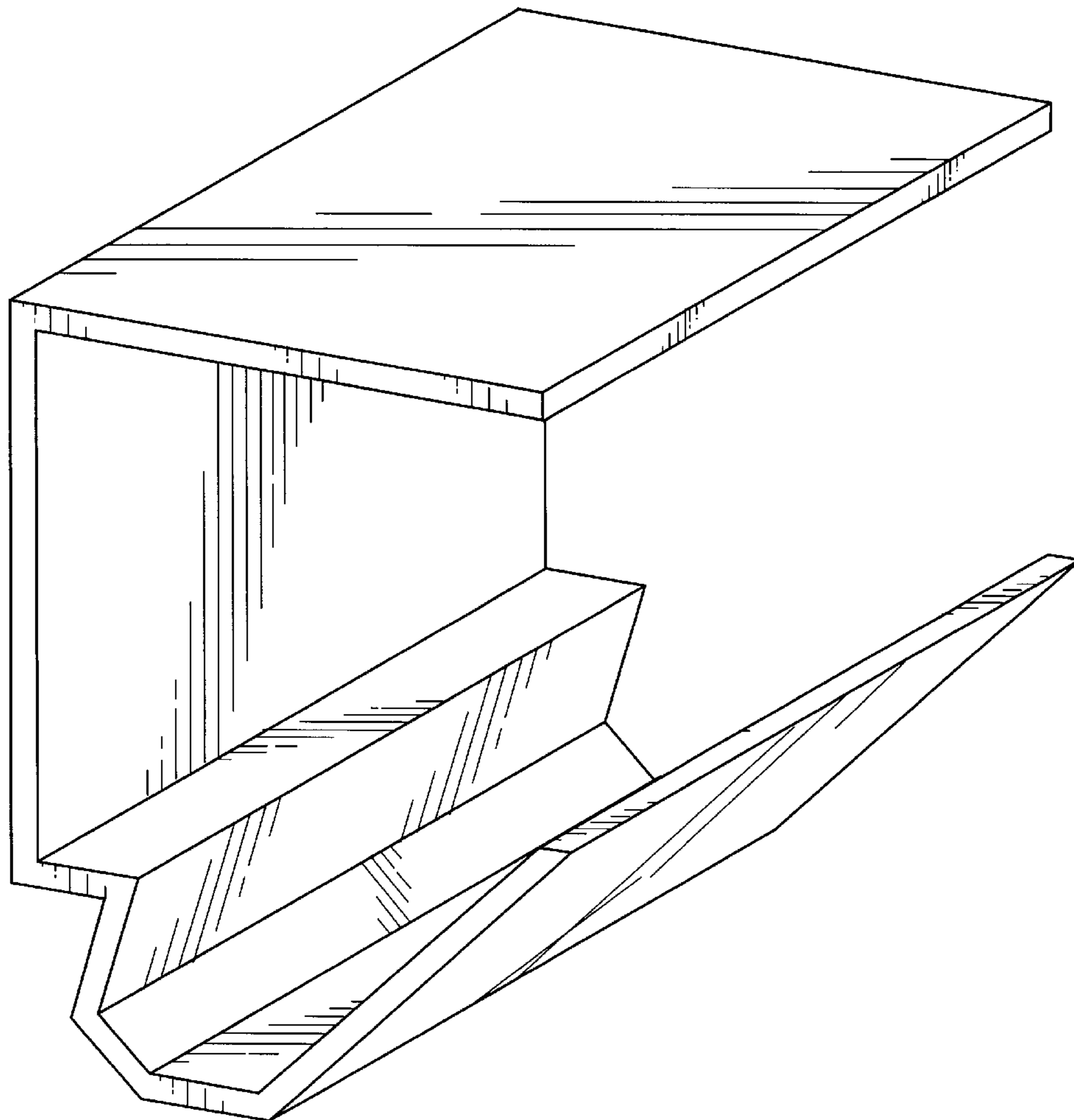
[57] **CLAIM**

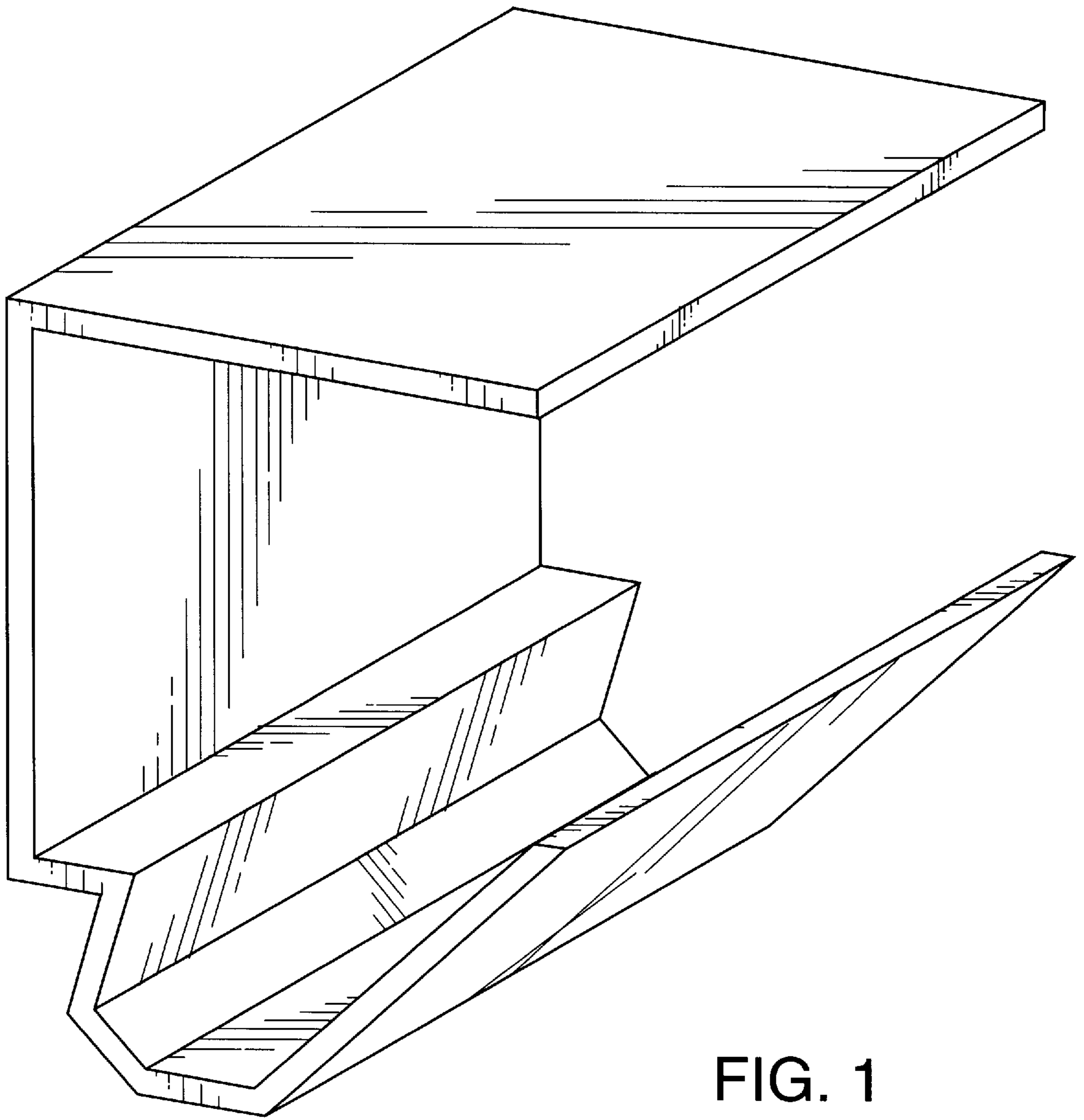
The ornamental design for a box lid retainer, as shown.

DESCRIPTION

FIG. 1 is a perspective view of a box lid retainer showing my new design;
FIG. 2 is a left side view thereof;
FIG. 3 is a right side view thereof;
FIG. 4 is a front view thereof;
FIG. 5 is a rear view thereof;
FIG. 6 is a top view thereof; and,
FIG. 7 is bottom view thereof.

1 Claim, 4 Drawing Sheets





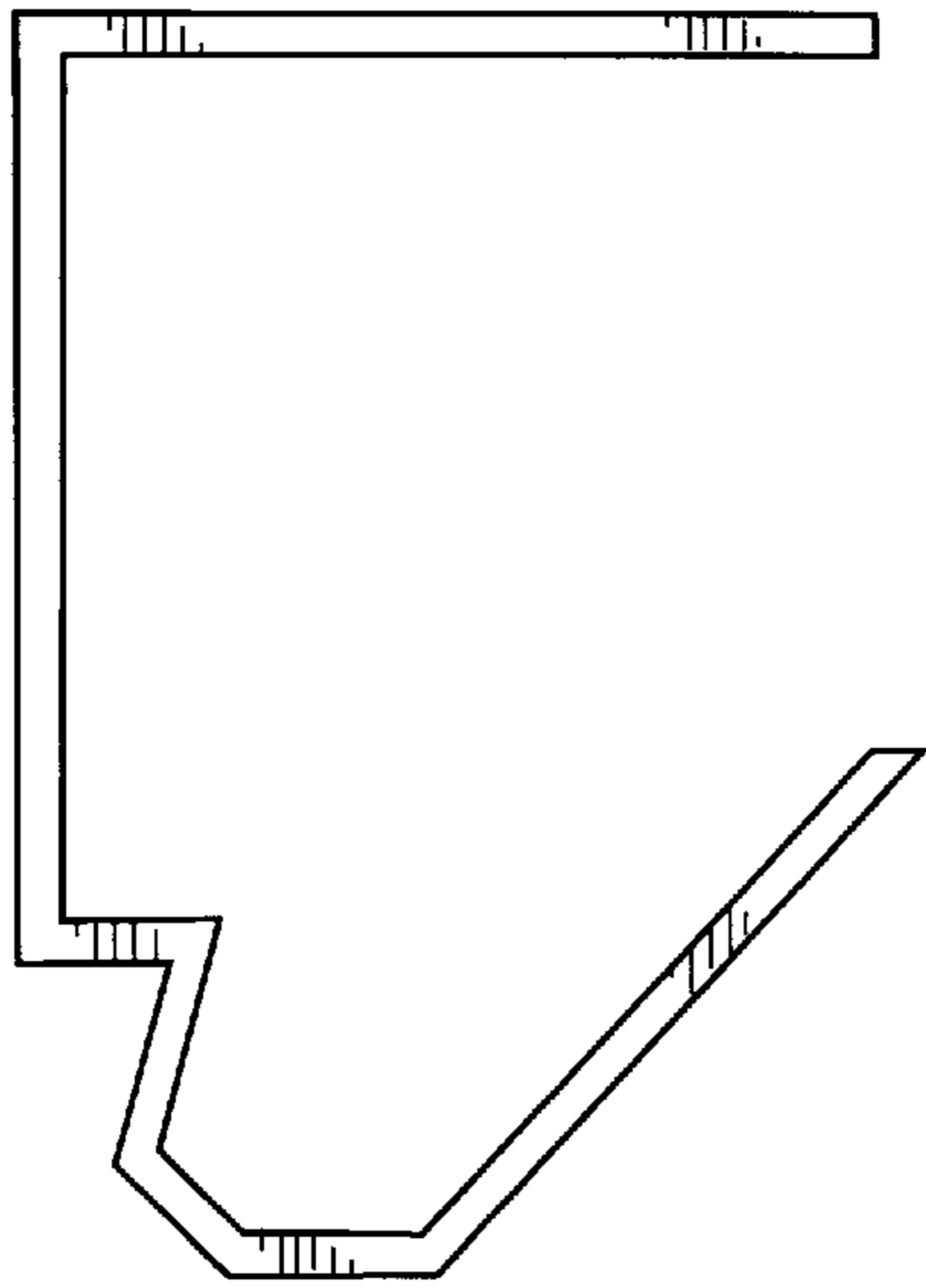


FIG. 2

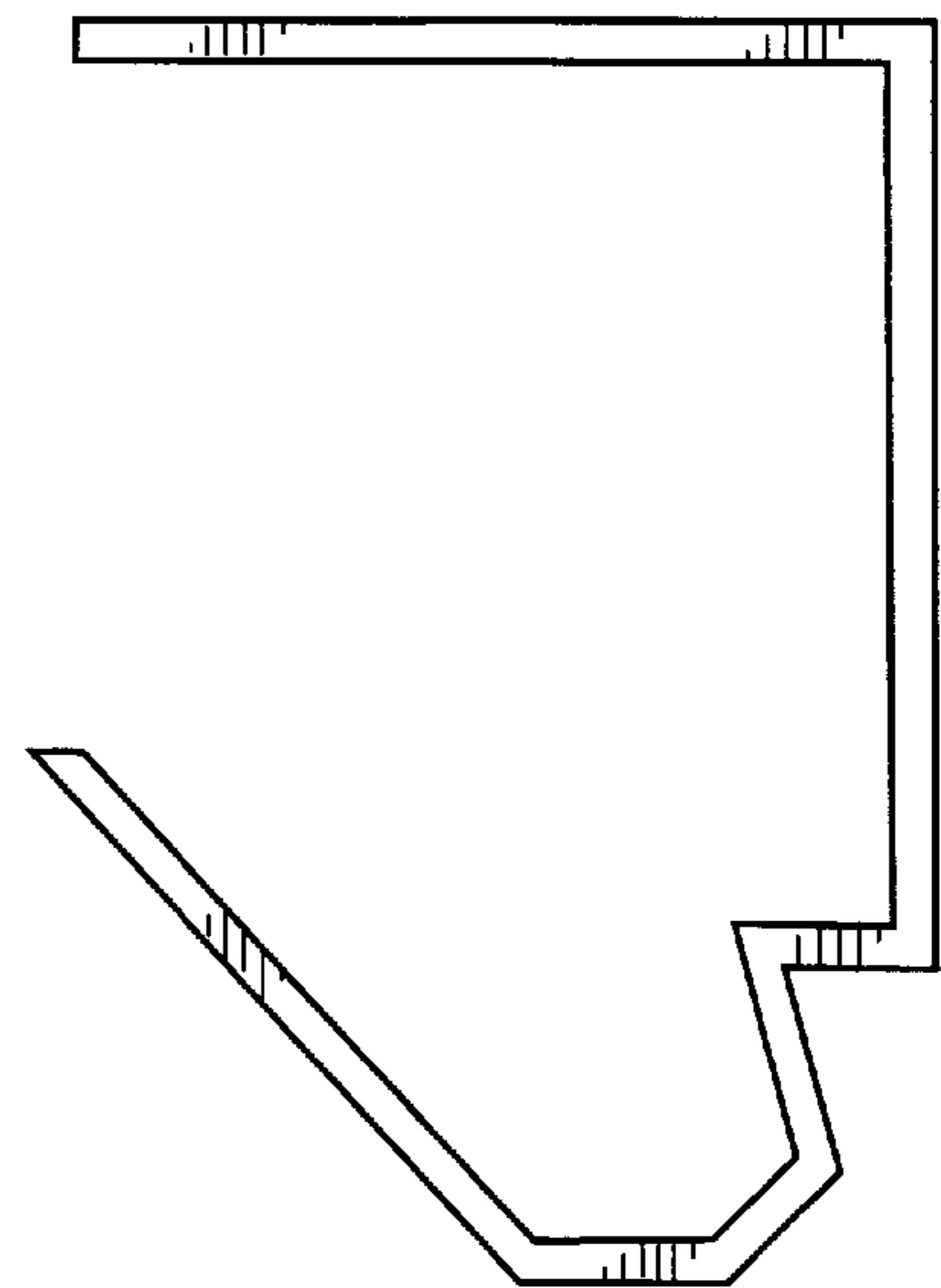


FIG. 3

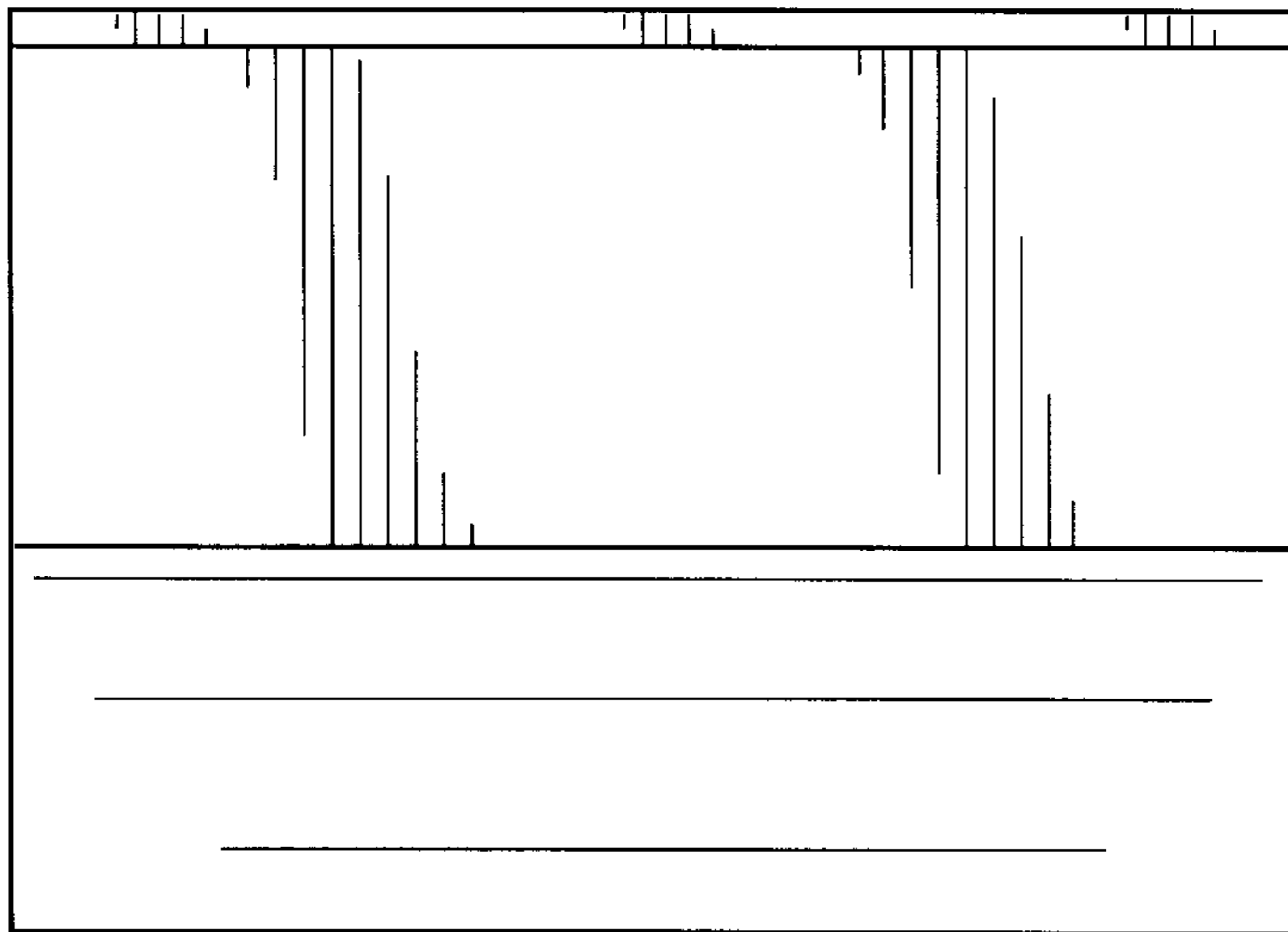
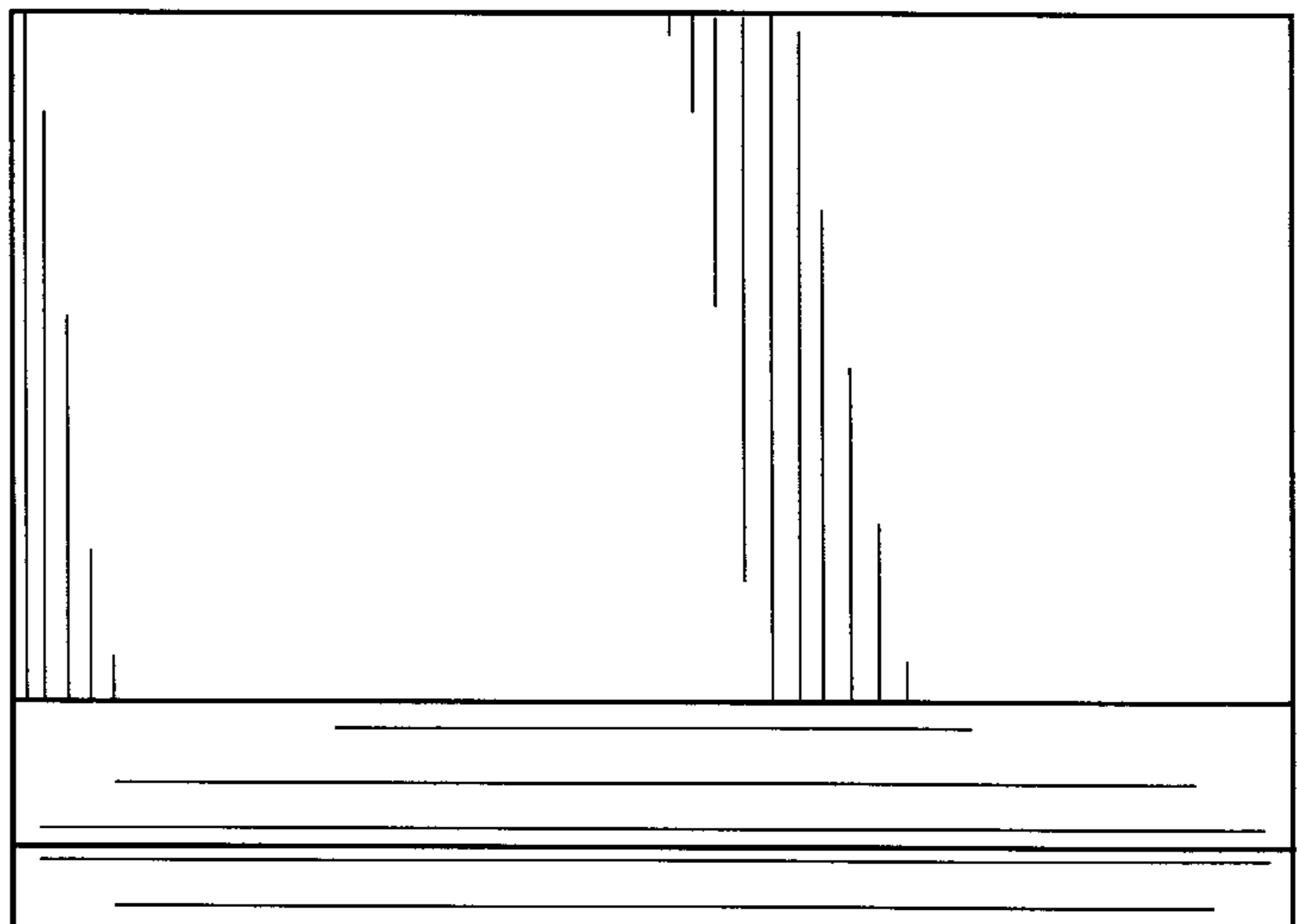


FIG. 4

FIG. 5



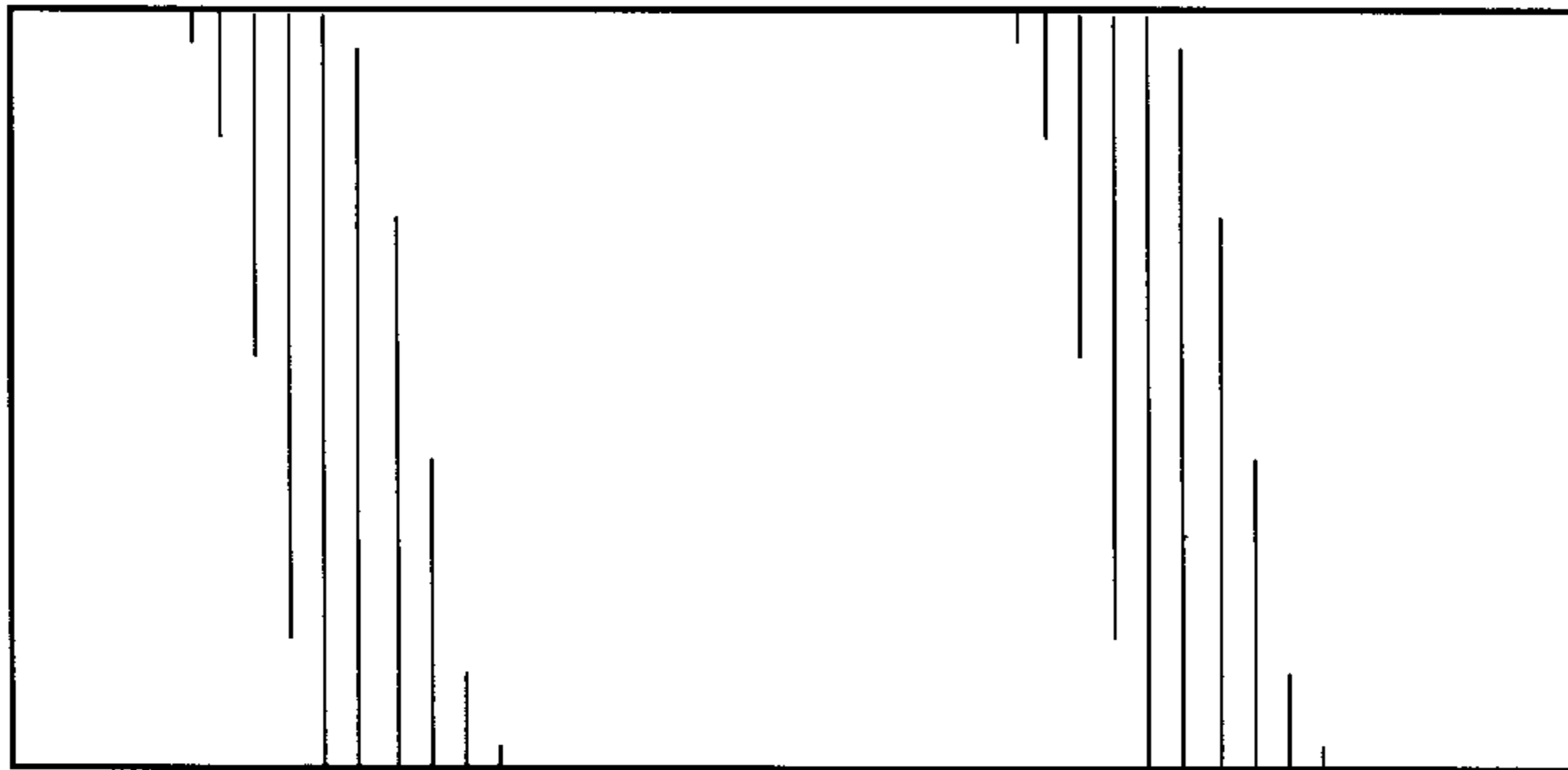


FIG. 6

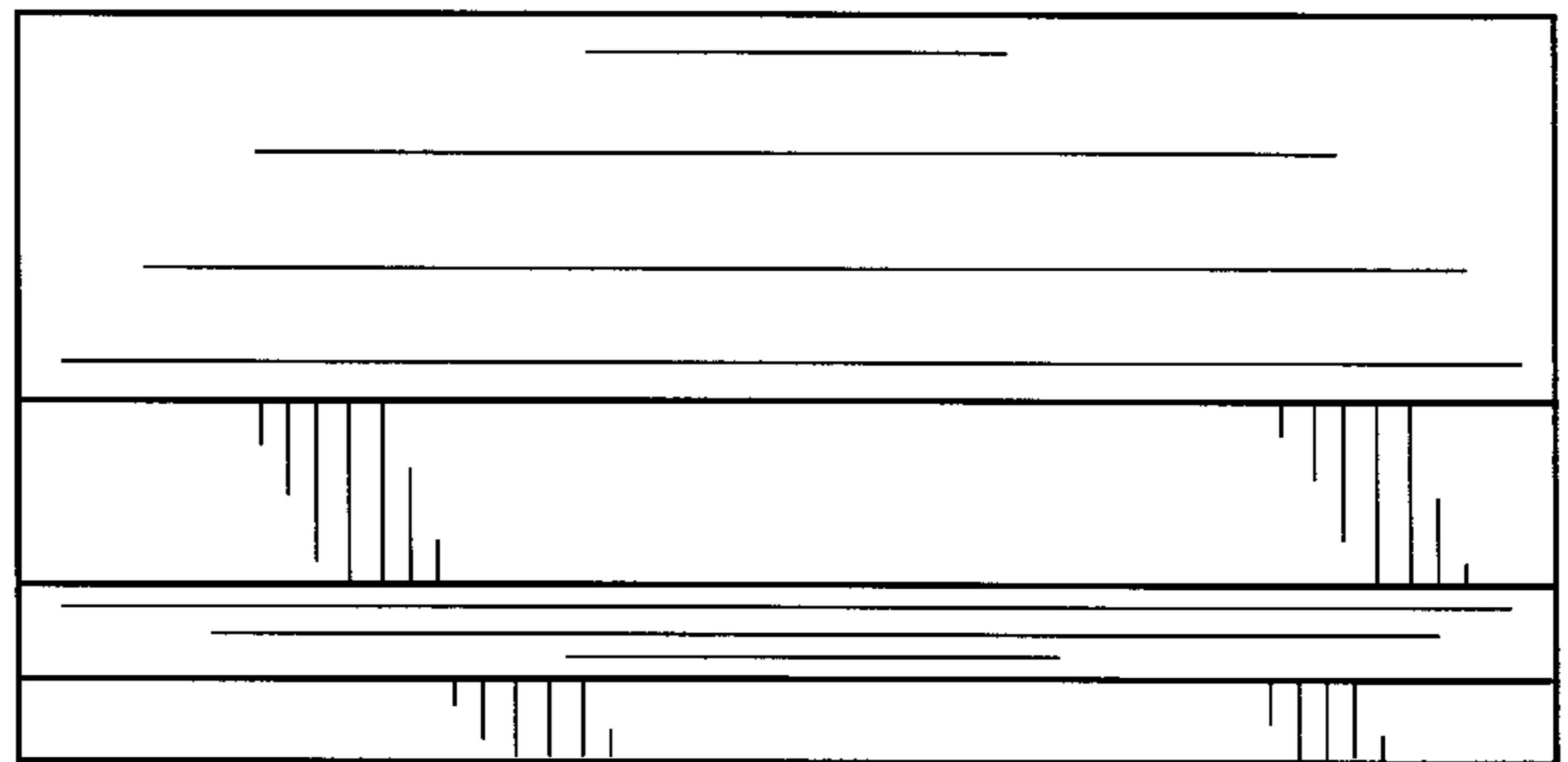


FIG. 7