



US00D403579S

United States Patent [19]

Gallart et al.

[11] Patent Number: **Des. 403,579**

[45] Date of Patent: ****Jan. 5, 1999**

[54] **CONFECTIONARY PRODUCT HOLDER**

5,111,973 5/1992 Mueller 426/115 X
5,370,884 12/1994 Coleman 426/115 X

[75] Inventors: **Ramon Escola Gallart; Ramon Bayes Turull**, both of Barcelona, Spain

Primary Examiner—Terry A. Wallace
Attorney, Agent, or Firm—Steinberg & Raskin, P.C.

[73] Assignee: **Zeta Espacial S.A.**, Rubi, Spain

[57] **CLAIM**

[**] Term: **14 Years**

The original, ornamental design for a confectionary product holder, as shown and described.

[21] Appl. No.: **77,897**

DESCRIPTION

[22] Filed: **Oct. 6, 1997**

[51] **LOC (6) Cl.** **09-03**

[52] **U.S. Cl.** **D9/418**

[58] **Field of Search** D9/307, 418; D1/101, D1/102, 105, 127, 199; 206/771, 775, 776, 781; 229/162; 426/91, 106, 115, 134

FIG. 1 is a front left perspective view of a confectionary product holder showing our new design;
FIG. 2 is a top thereof;
FIG. 3 is a front view thereof;
FIG. 4 is a right side view thereof, the left side view being a mirror image thereof, the candy mass retained in the claimed design is shown in phantom lines, forms no part of the claimed design and is for illustrative purposes only;
FIG. 5 is a bottom view thereof; and,
FIG. 6 is a rear view thereof.

[56] References Cited

U.S. PATENT DOCUMENTS

3,088,643 5/1963 Dunn 426/134
3,459,296 8/1969 Berg 426/134 X

1 Claim, 2 Drawing Sheets

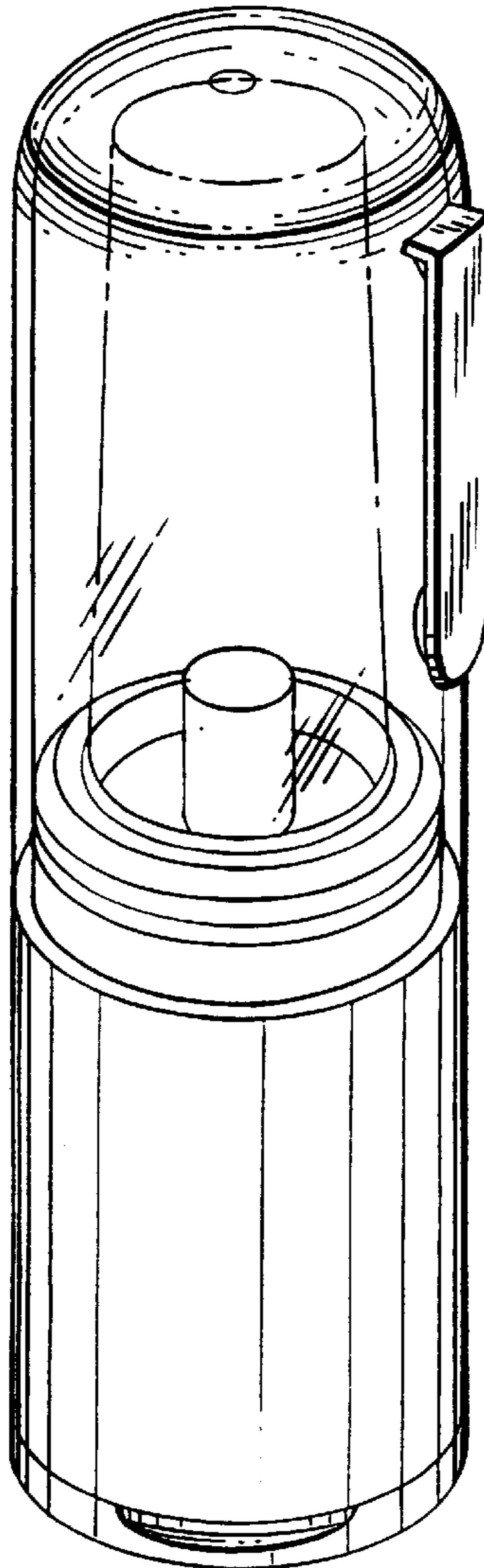


FIG. 2

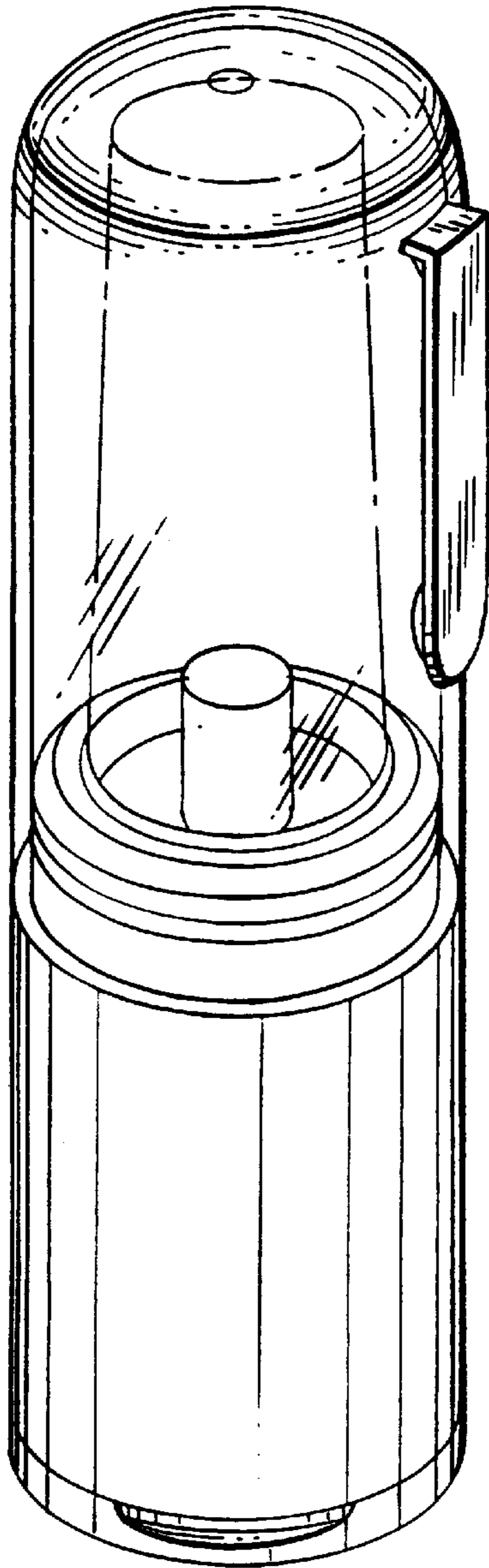
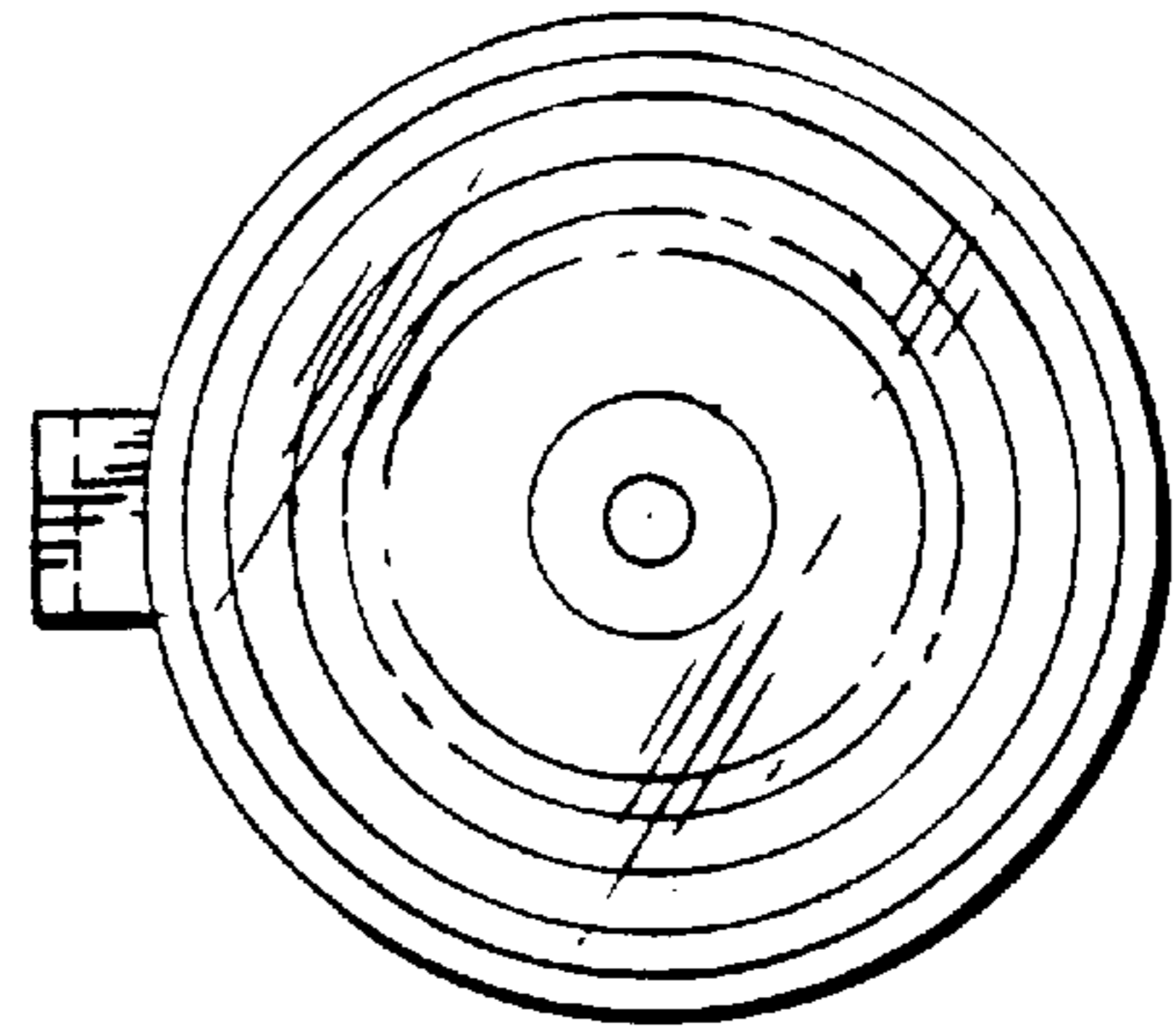
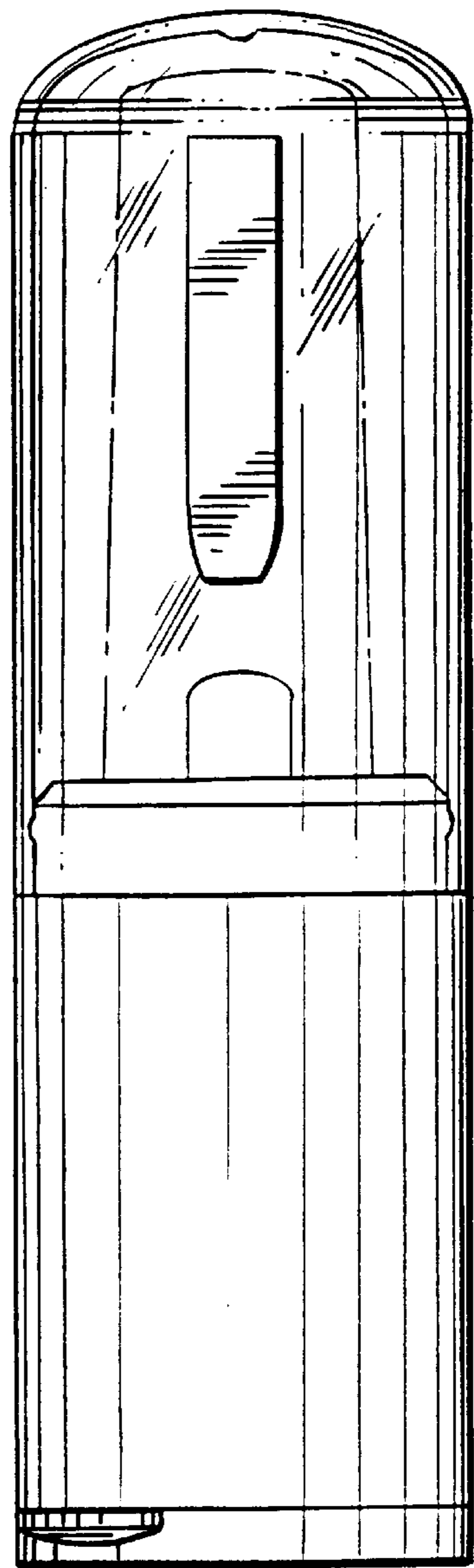


FIG. 1

FIG. 3



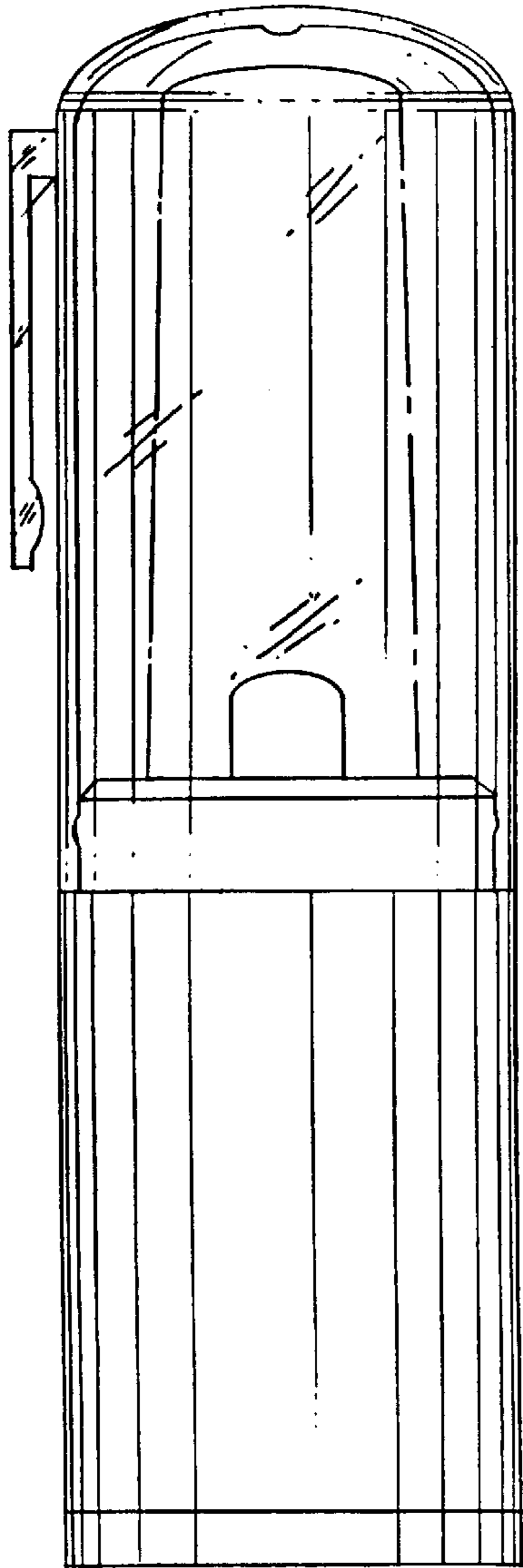


FIG. 4

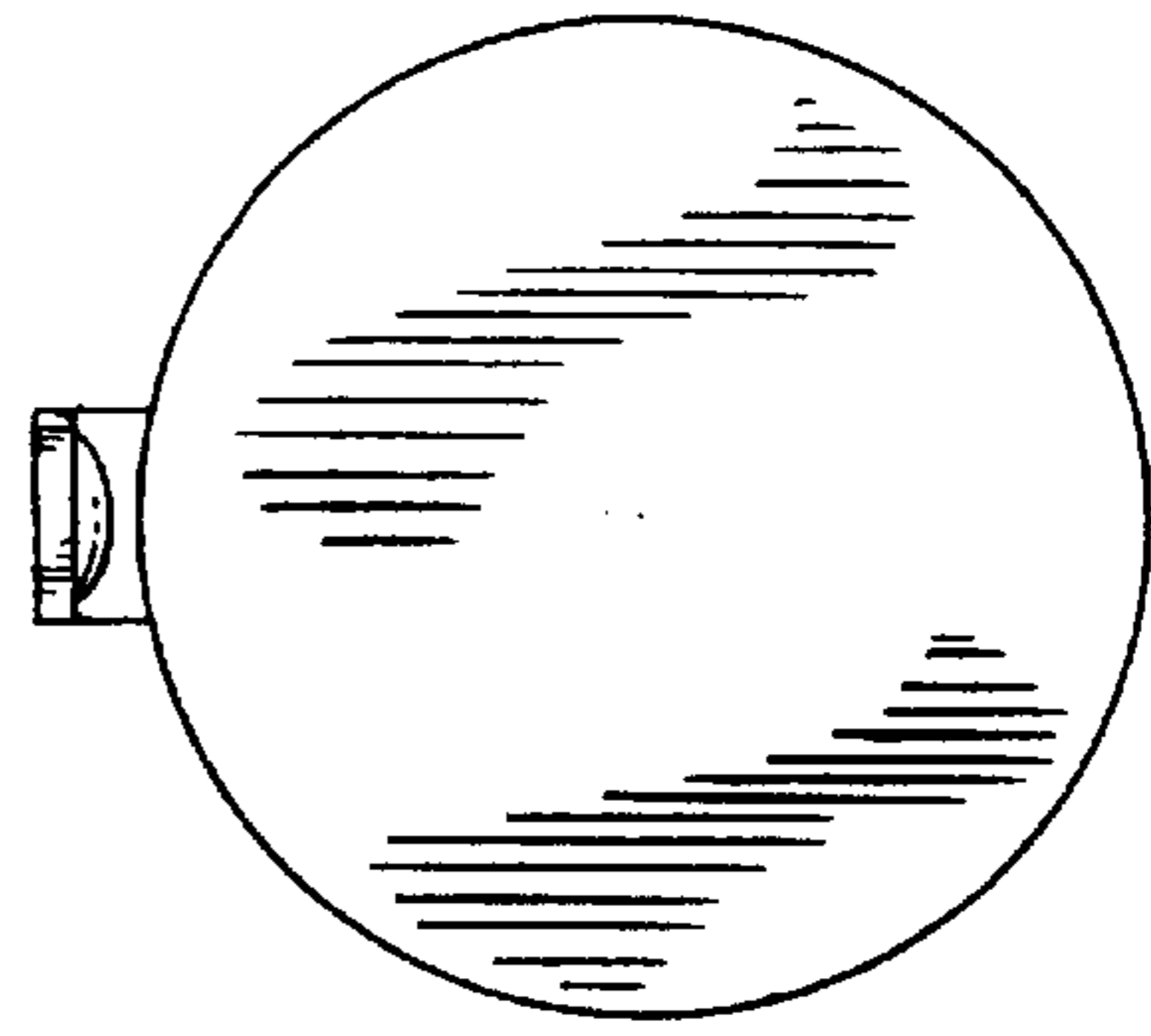


FIG. 5

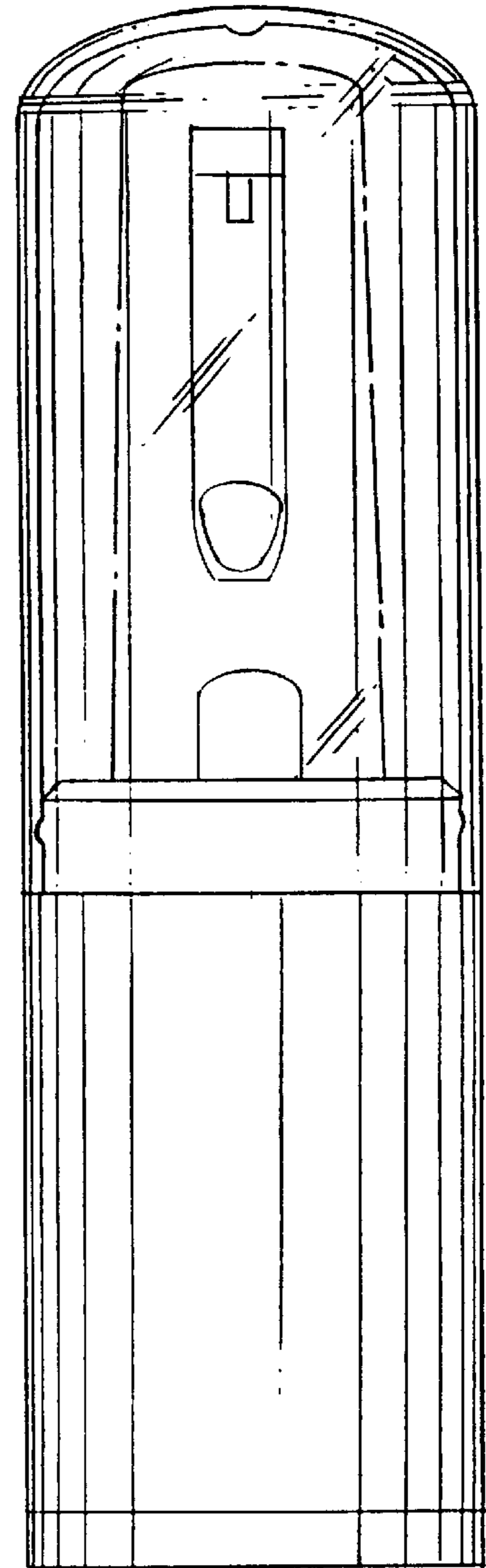


FIG. 6