



US00D403575S

United States Patent [19] Milliorn

[11] **Patent Number: Des. 403,575**

[45] **Date of Patent: **Jan. 5, 1999**

[54] **CONTAINER FOR STORING AND DISPENSING LABELS**

4,252,258 2/1981 Plummer, III 225/25
4,735,351 4/1988 Biswas 225/25

[76] Inventor: **James Michael Milliorn**, 7024 Saucon Valley Dr., Fort Worth, Tex. 76132

[**] Term: **14 Years**

[21] Appl. No.: **84,648**

[22] Filed: **Mar. 6, 1998**

[51] **LOC (6) Cl. 09-03**

[52] **U.S. Cl. D9/341**

[58] **Field of Search** D9/341, 345, 419,
D9/425, 426; D19/67-68; 206/389, 394,
396, 406; 225/25

[56] **References Cited**

U.S. PATENT DOCUMENTS

D. 204,505 4/1966 Ostrom D9/345
D. 276,590 12/1984 Lobel D9/341
D. 283,789 5/1986 Kodousek et al. D9/341
D. 310,486 9/1990 Chanel D9/425
3,948,455 4/1976 Schwartz 242/55.3
3,987,897 10/1976 Smith 206/226

OTHER PUBLICATIONS

Catalog of Daydots Label Company, Inc. for Jan. 1997, 48 pgs.

Primary Examiner—Philip S. Hyder

Assistant Examiner—Nanda Bondade

[57] **CLAIM**

The ornamental design for a container for storing and dispensing labels, as shown and described.

DESCRIPTION

FIG. 1 is a top, front perspective view of a container for storing and dispensing labels showing my new design; FIG. 2 is a left side view of the container, the right side view is a mirror image thereto;

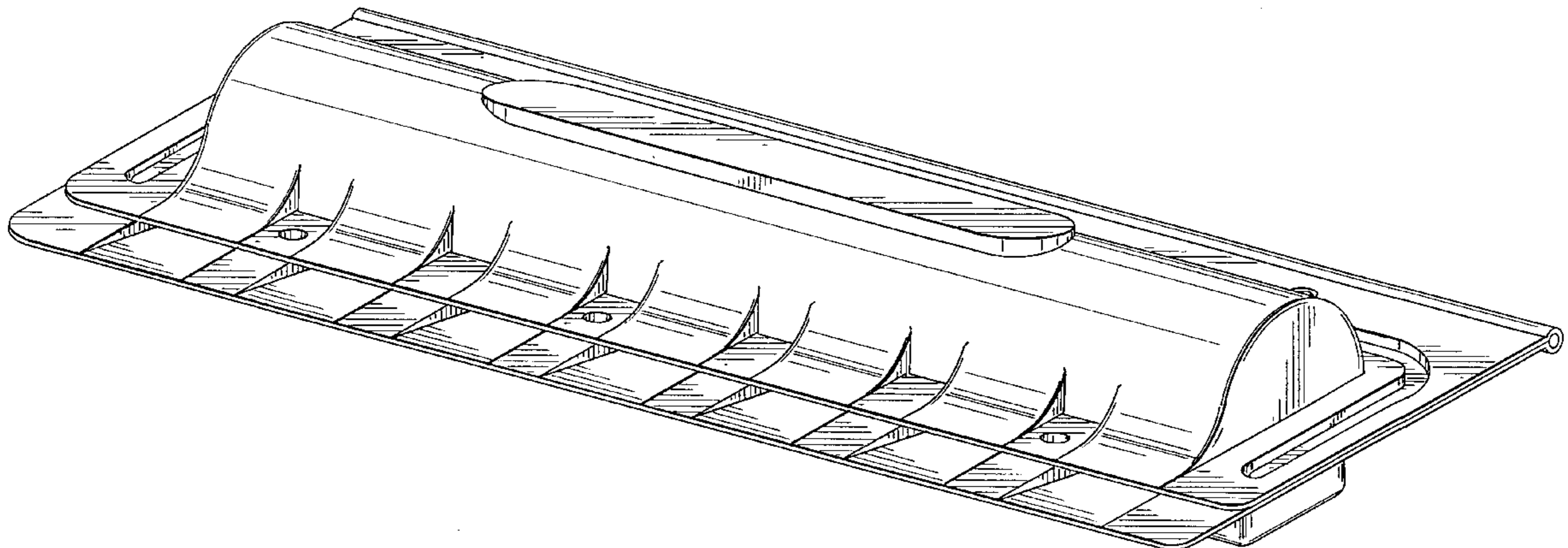
FIG. 3 is a top view of the container;

FIG. 4 is a front elevation of the container;

FIG. 5 is a bottom view of the container; and,

FIG. 6 is a back elevation of the container.

1 Claim, 3 Drawing Sheets



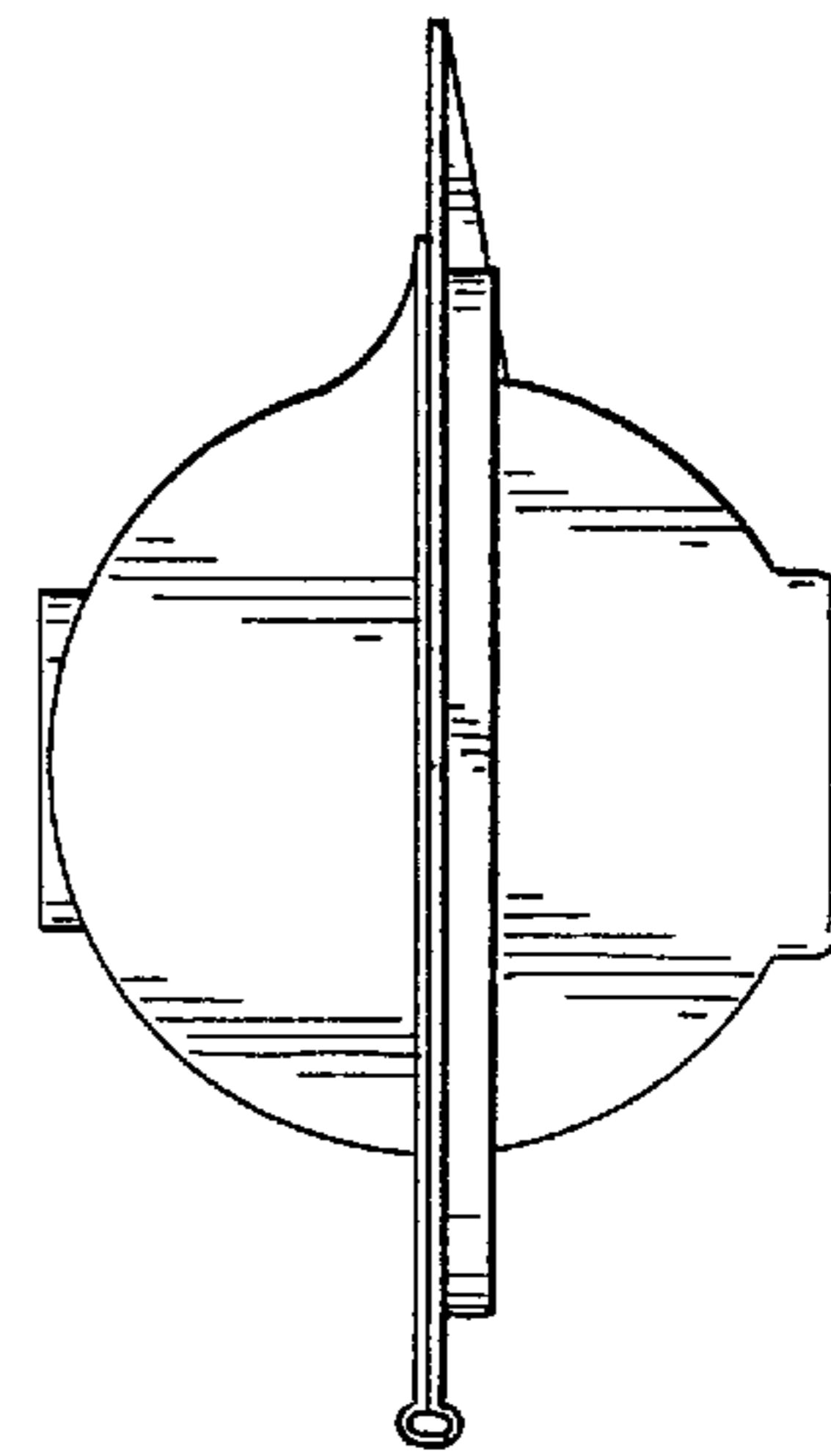
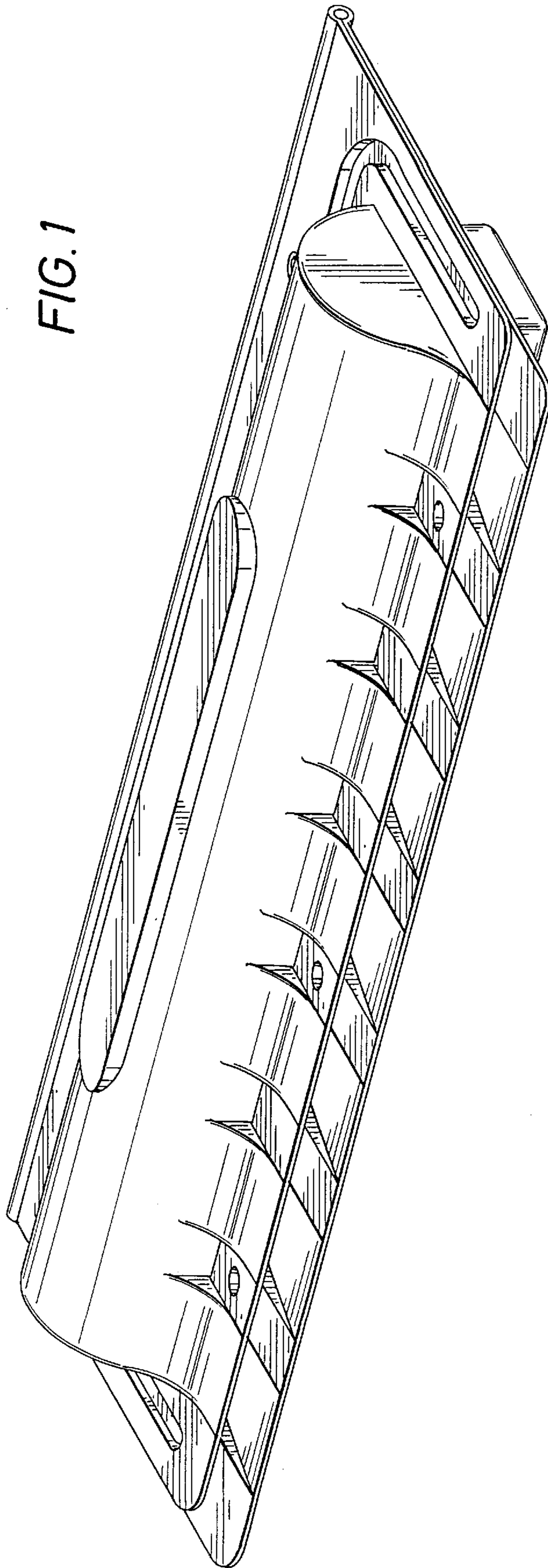


FIG. 3

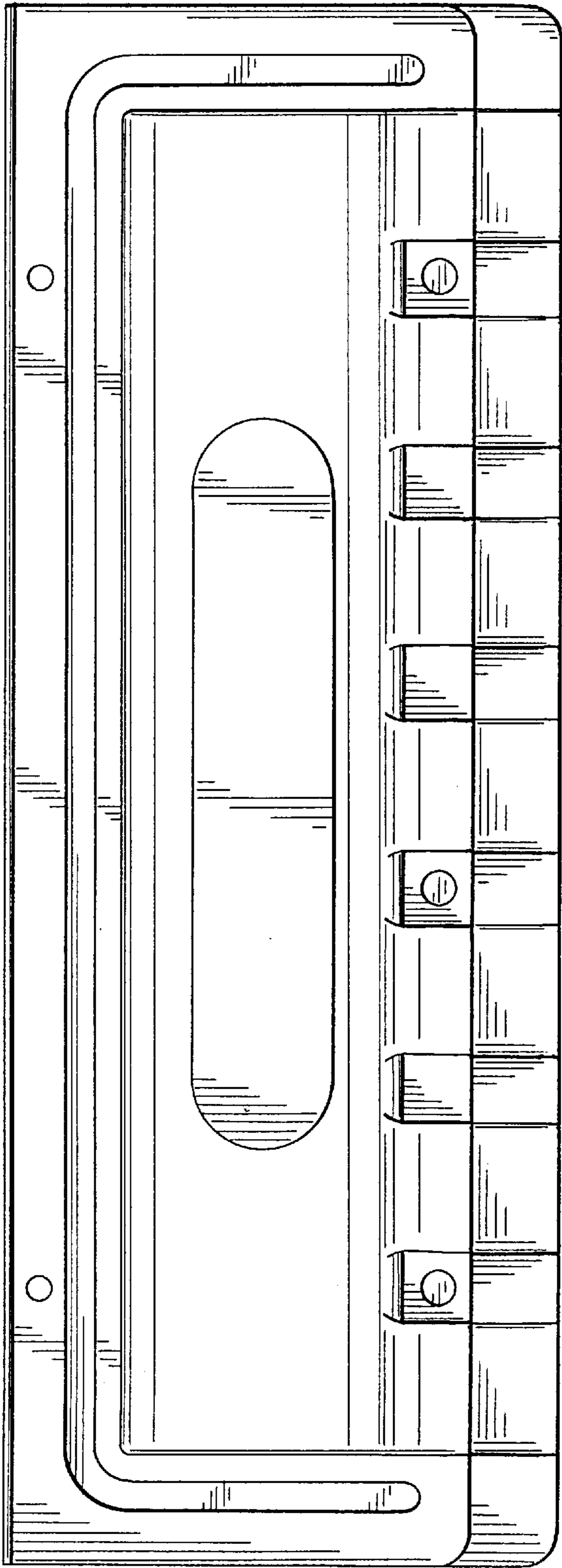


FIG. 4

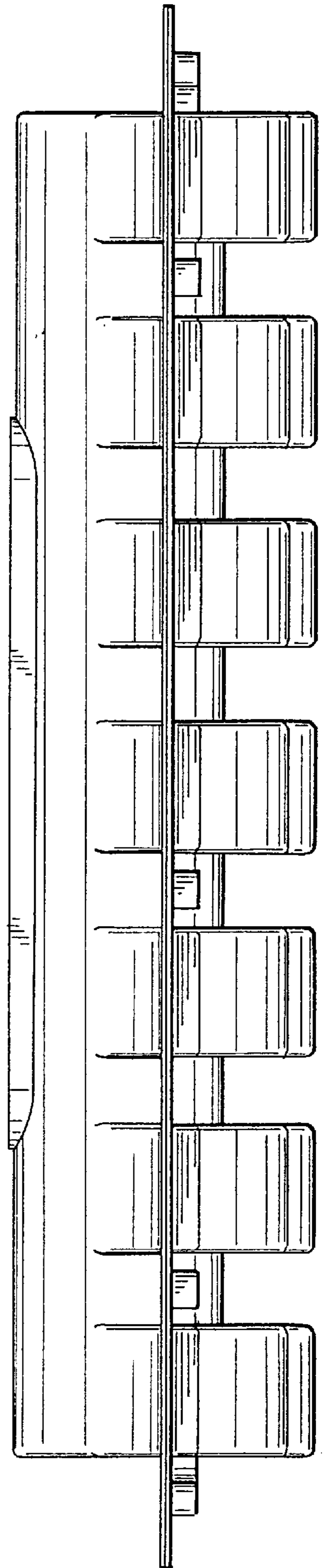


FIG. 5

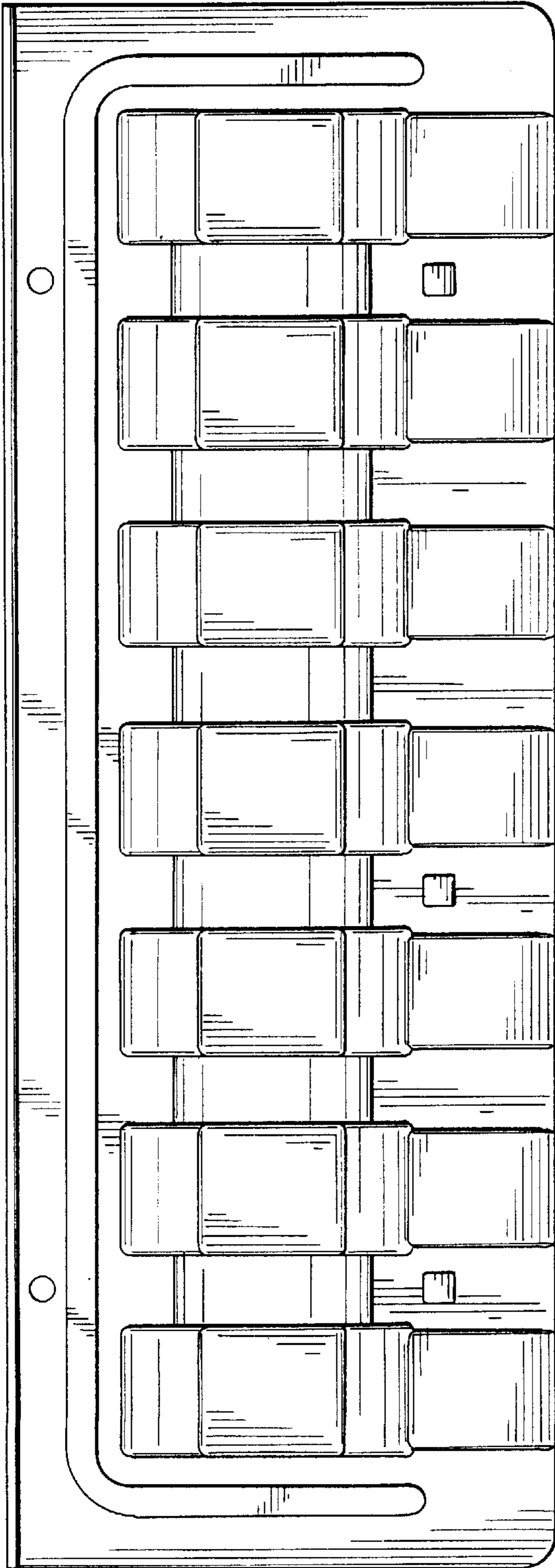


FIG. 6

