



US00D403566S

United States Patent [19]
Marsh

[11] **Patent Number:** **Des. 403,566**

[45] **Date of Patent:** ****Jan. 5, 1999**

[54] **TOOL TRAY FOR AUTOMOTIVE REPAIR**

[76] Inventor: **Daniel F. Marsh**, 2481 Lakeshore Dr.,
Canyon Lake, Tex. 78133

[**] Term: **14 Years**

[21] Appl. No.: **78,794**

[22] Filed: **Oct. 31, 1997**

[51] **LOC (6) Cl.** **08-05**

[52] **U.S. Cl.** **D8/71**

[58] **Field of Search** D8/71; D3/304,
D3/307, 310-314; 206/372-379, 335; 220/8;
312/902

[56] **References Cited**

U.S. PATENT DOCUMENTS

5,114,007	5/1992	Chen	206/373
5,160,026	11/1992	Marsh	206/373
5,271,501	12/1993	Chen	206/373

Primary Examiner—Terry A. Wallace

Attorney, Agent, or Firm—Julian Caplan; Flehr Hobbach
Test Albritton & Herbert LLP

[57] **CLAIM**

The ornamental design for a tool tray for automotive repair,
as shown and described.

DESCRIPTION

FIG. 1 is a perspective view of my tool tray for automotive
repair showing the bottom, a first side and a first end thereof
with the retractable tray within its casing;

FIG. 2 is a perspective view thereof showing the top, a
second side and a second end thereof;

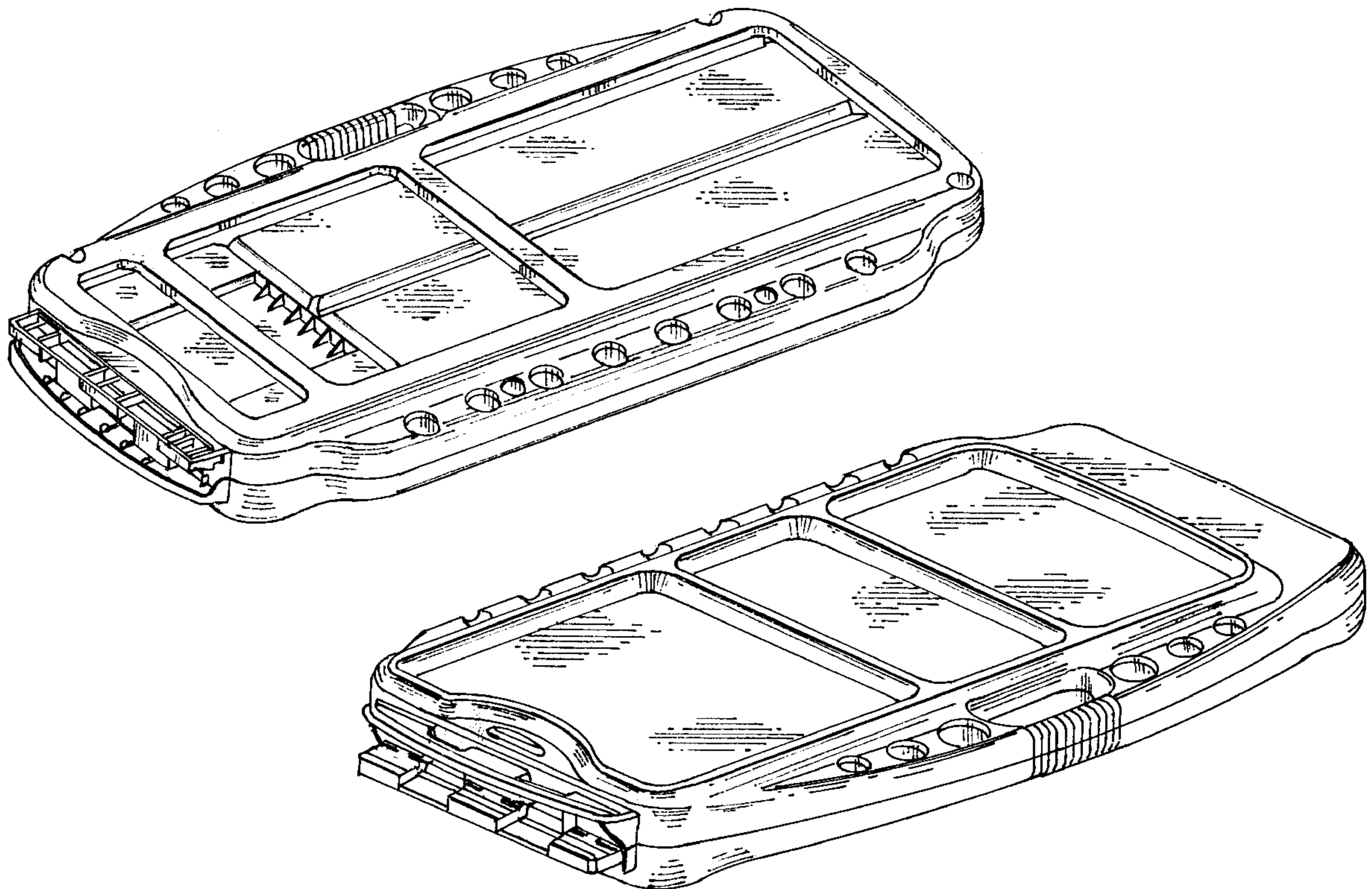
FIG. 3 is a view similar ot FIG. 1 showing the bottom, first
side and second end;

FIG. 4 is a perspective view of the retractable tray removed
from its case showing the top, a second end and a first side
thereof;

FIG. 5 is a perspective view of the retractable tray showing
the bottom, second end and second side thereof; and,

FIG. 6 is an elevational view of the first end of the tray.

1 Claim, 3 Drawing Sheets



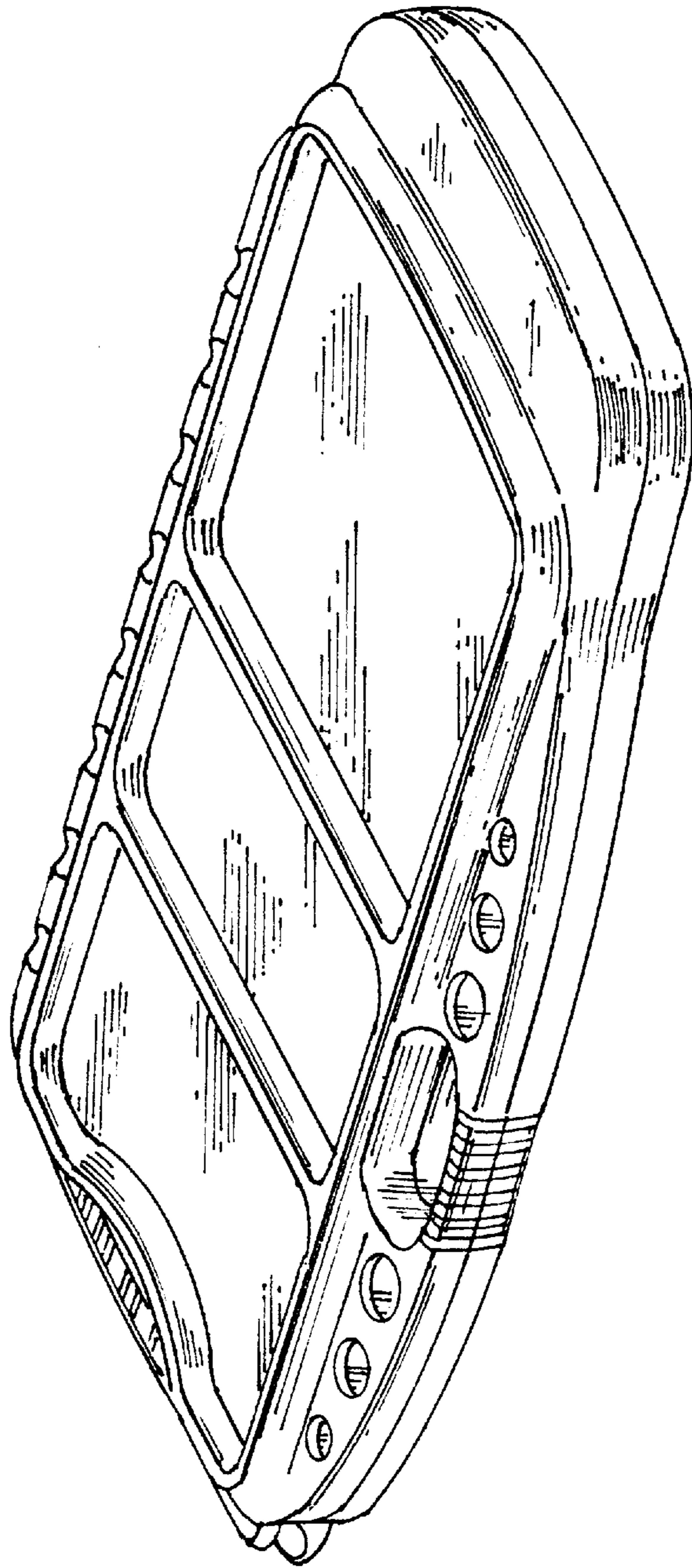


FIG. 1

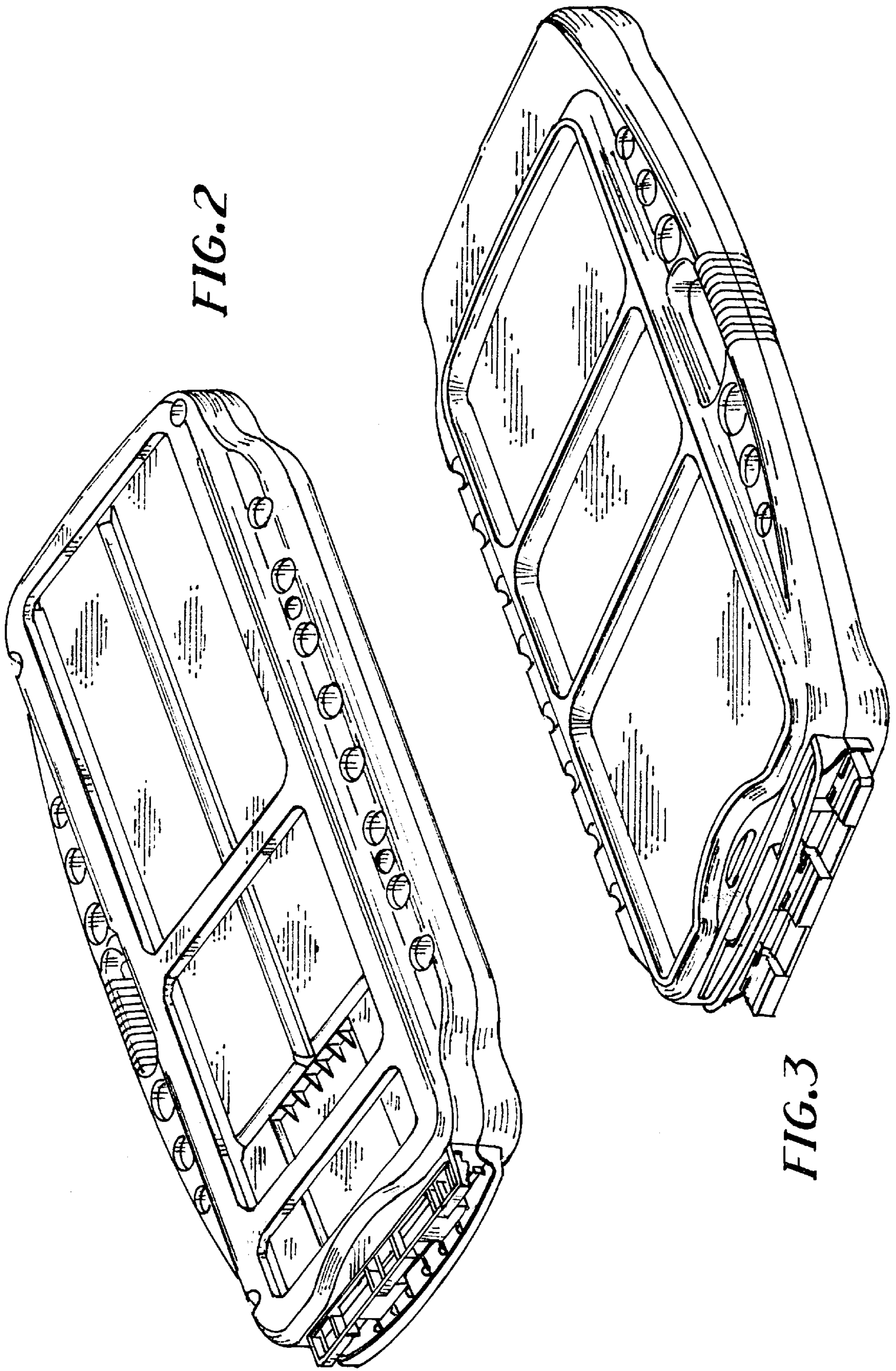


FIG. 2

FIG. 3

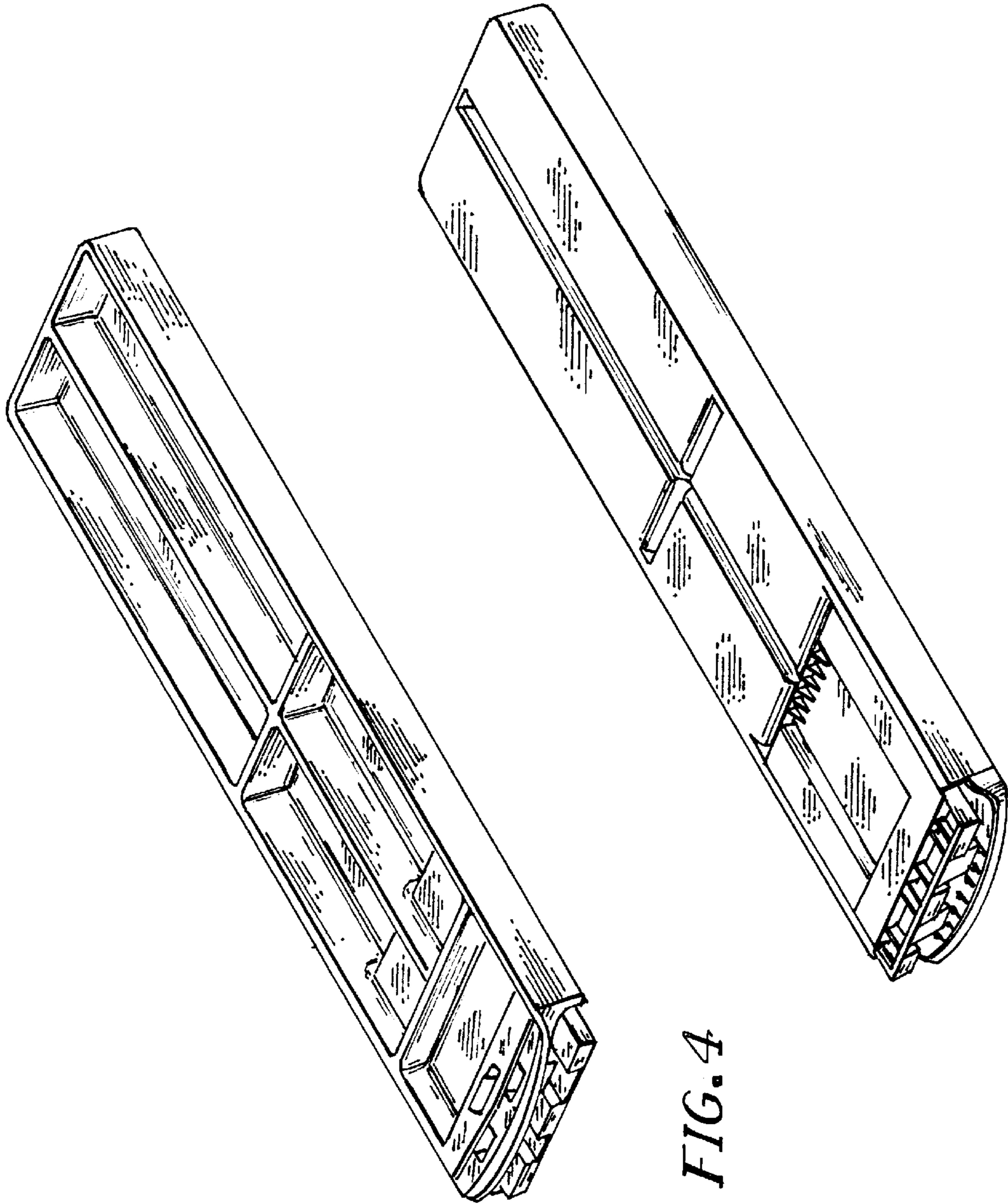


FIG. 4

FIG. 5

FIG. 6