



US00D403565S

United States Patent [19] Chung

[11] **Patent Number:** **Des. 403,565**

[45] **Date of Patent:** ****Jan. 5, 1999**

[54] **ELECTRICAL DRILL**

D. 384,262 9/1997 Hayakawa et al. D8/68

[76] Inventor: **Lee Hsin-Chih Chung**, No. 21-8,
Shang San Cho Woo, Wuchang-Li,
Chungli City, Taoyuan Hsien, Taiwan

Primary Examiner—Antoine Duval Davis
Attorney, Agent, or Firm—Kenneth Lao

[**] Term: **14 Years**

[57] **CLAIM**

The ornamental design for electrical drill, as shown and described.

[21] Appl. No.: **80,859**

[22] Filed: **Dec. 16, 1997**

DESCRIPTION

[51] **LOC (6) Cl.** **08-03**

[52] **U.S. Cl.** **D8/68**

[58] **Field of Search** D8/68; 74/371;
81/57.11, 57.13, 57.14, 57.43, 177.6, 436,
438; 178/178, 217

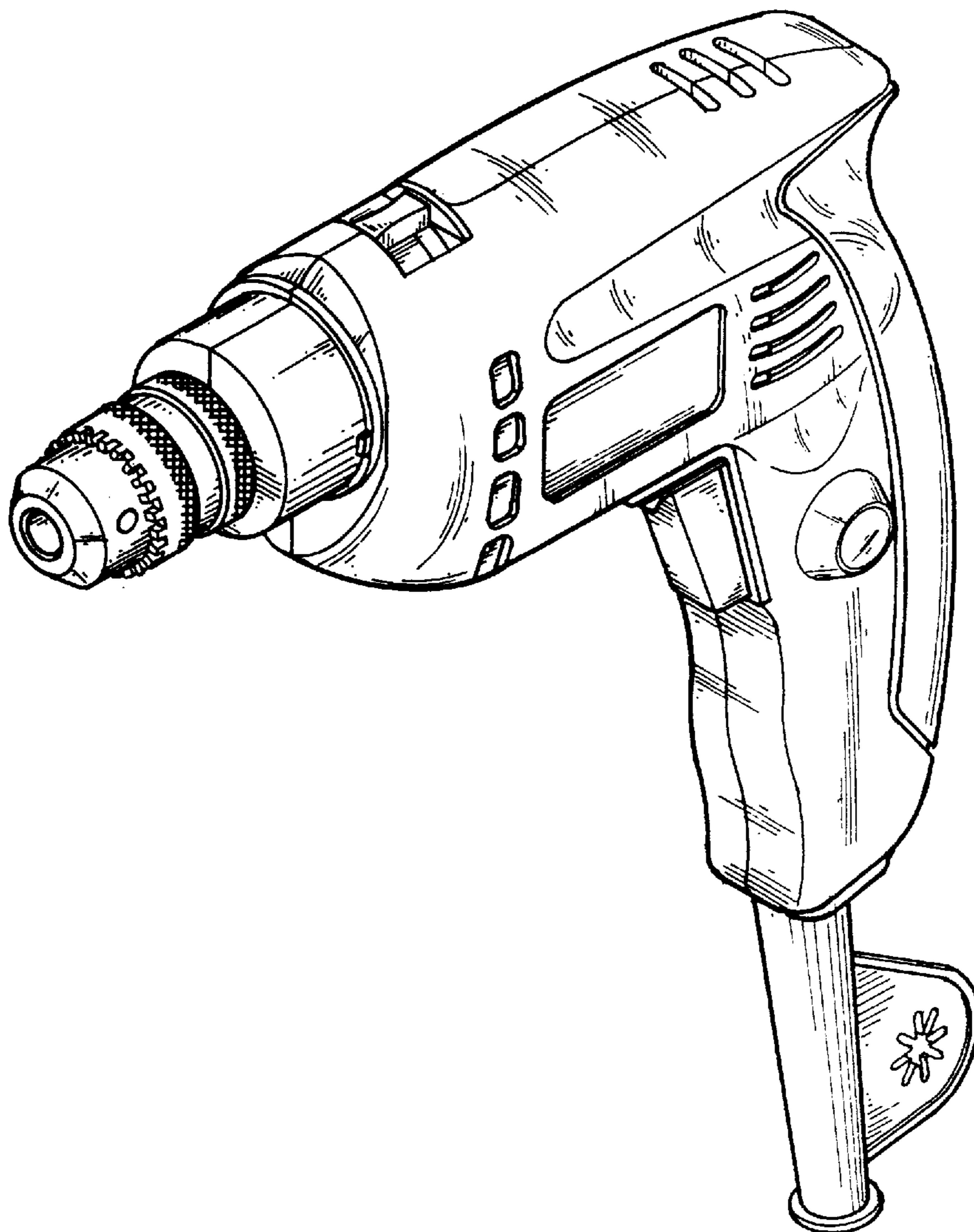
FIG. 1 is a perspective view of electrical drill showing my new design;
FIG. 2 is a front elevational view thereof;
FIG. 3 is a rear elevational view thereof;
FIG. 4 is a left side elevational view thereof;
FIG. 5 is a right side elevational view thereof;
FIG. 6 is a top view thereof; and,
FIG. 7 is a bottom view thereof.

[56] **References Cited**

U.S. PATENT DOCUMENTS

D. 342,878 1/1994 Watanabe et al. D8/68

1 Claim, 7 Drawing Sheets



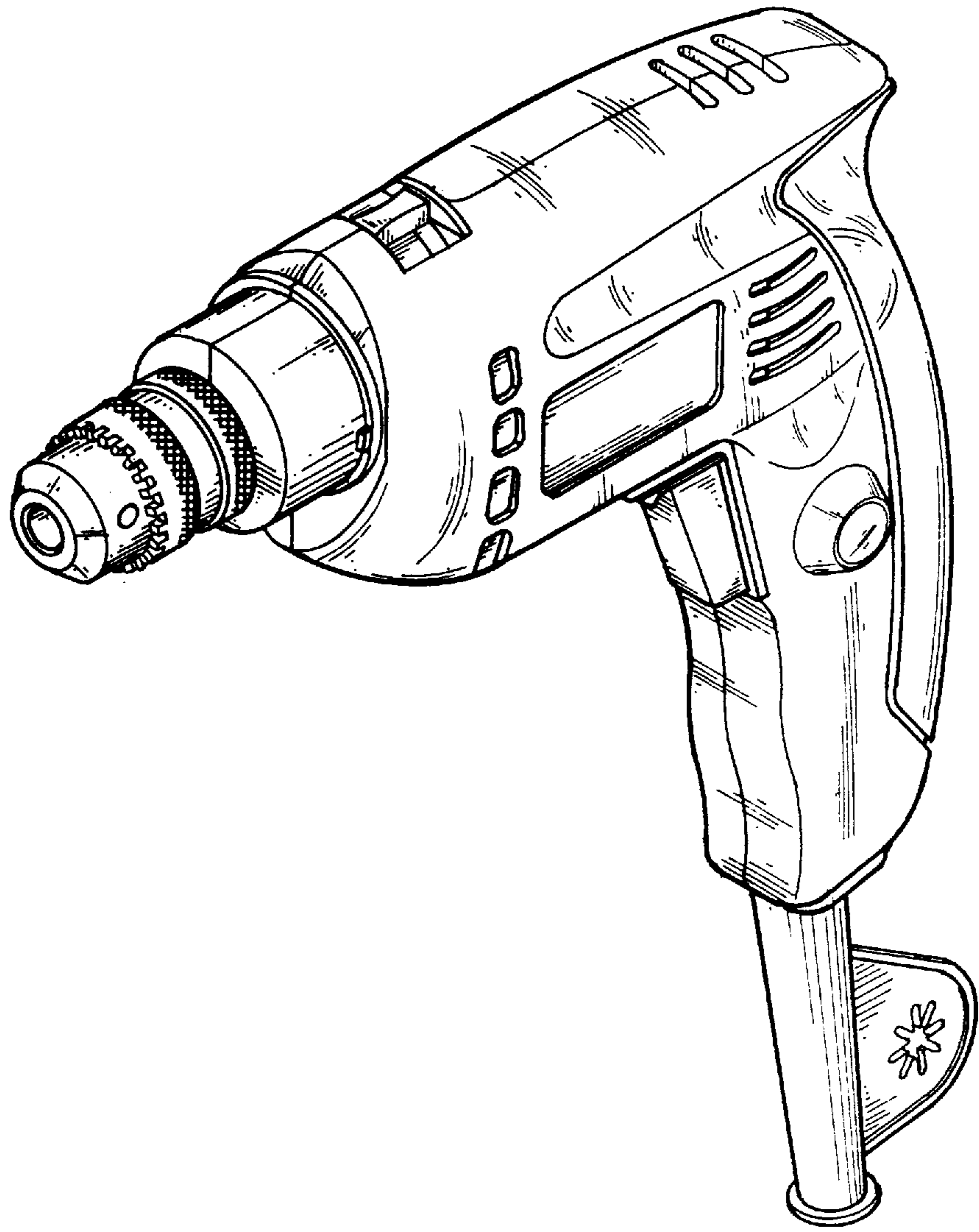


FIG 1

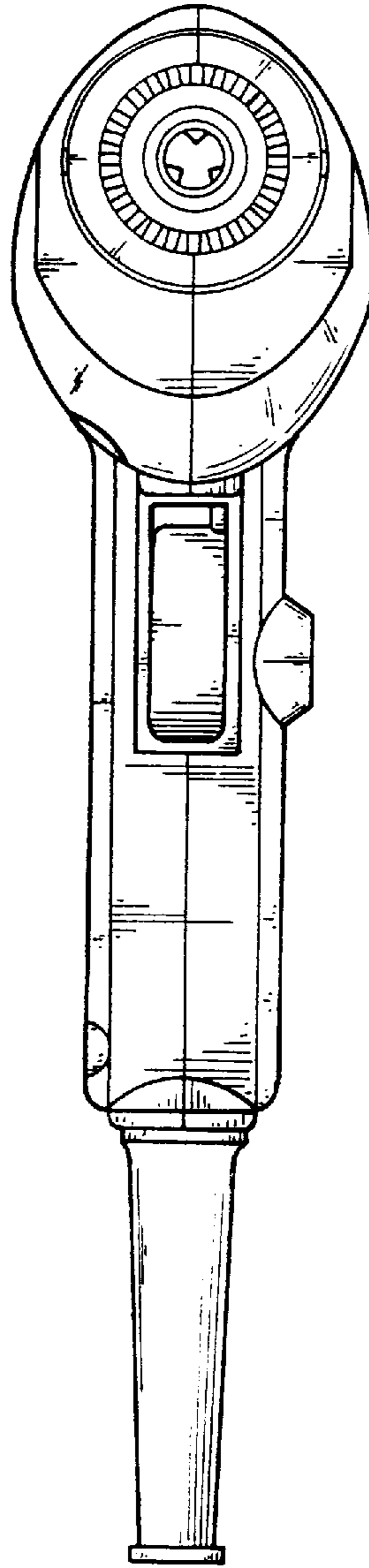


FIG 2

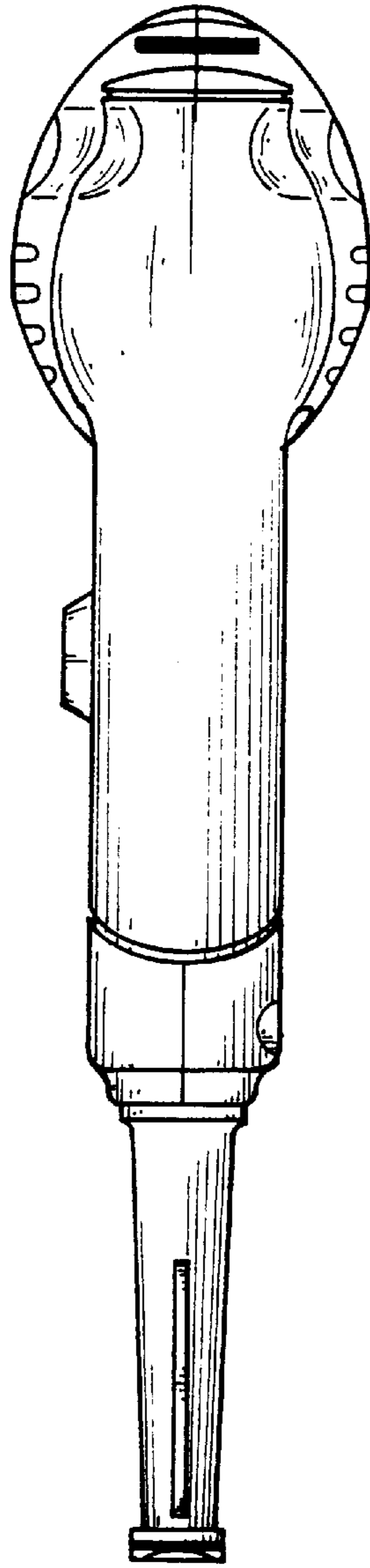


FIG 3

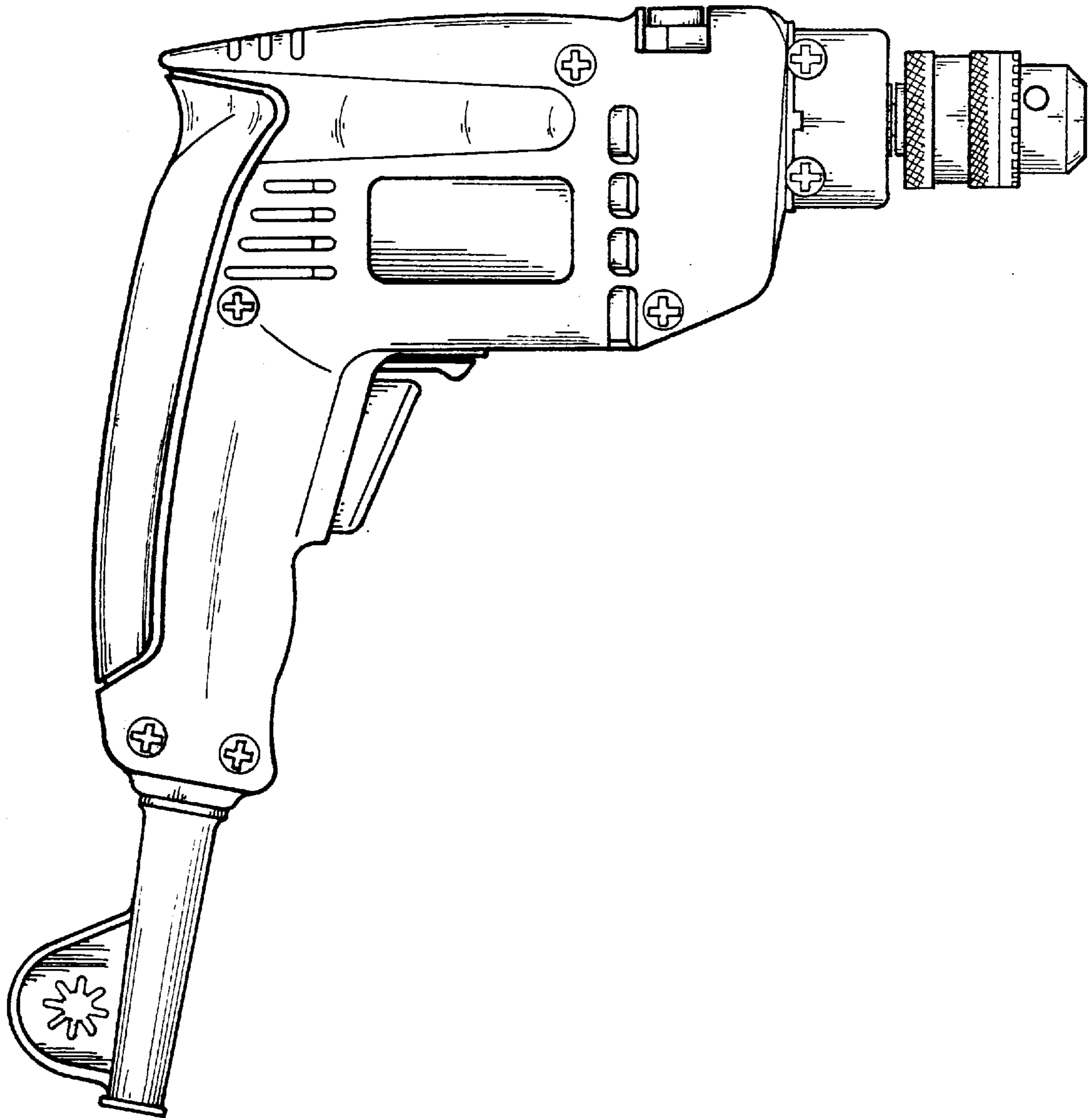


FIG 4

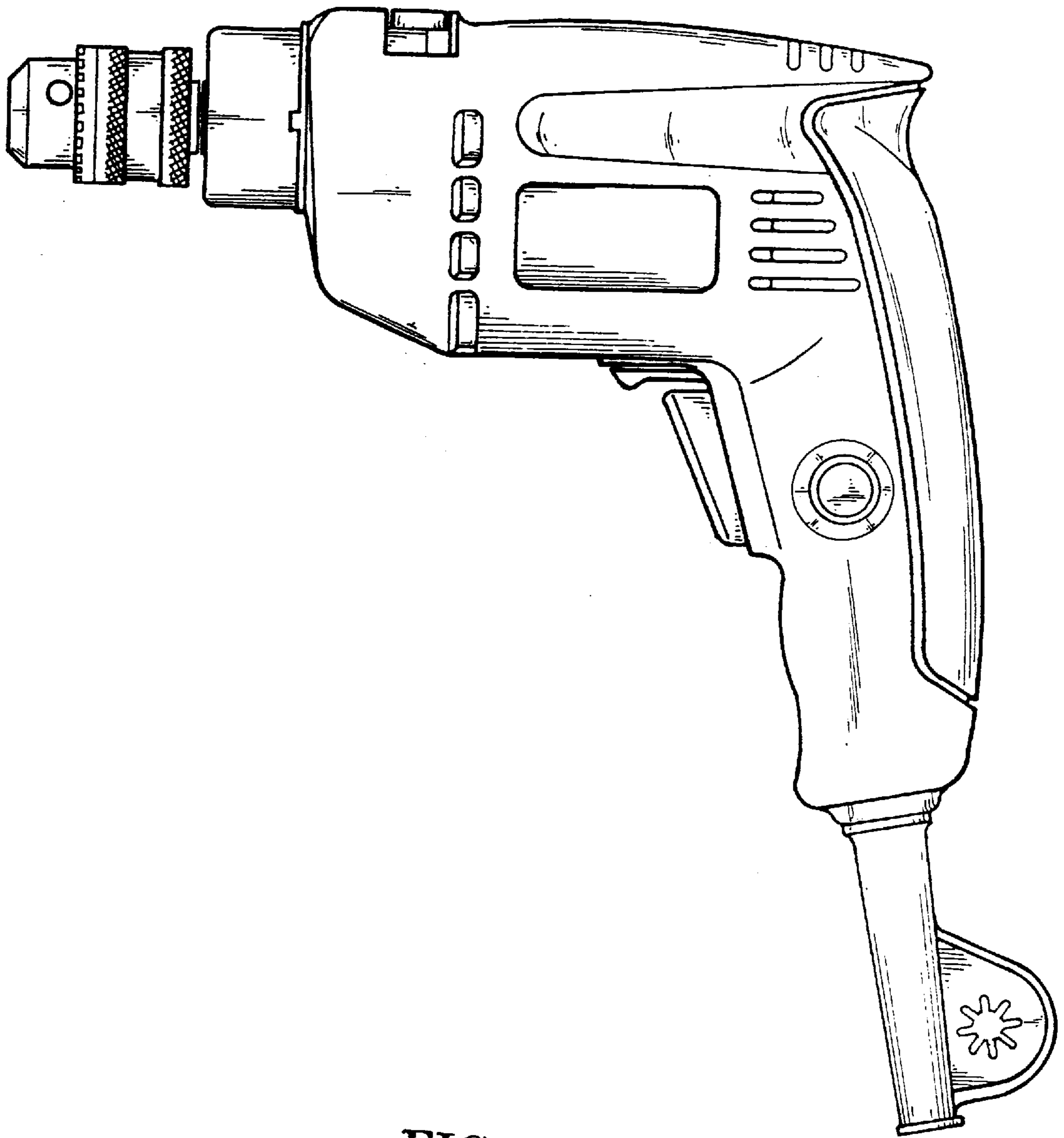


FIG 5

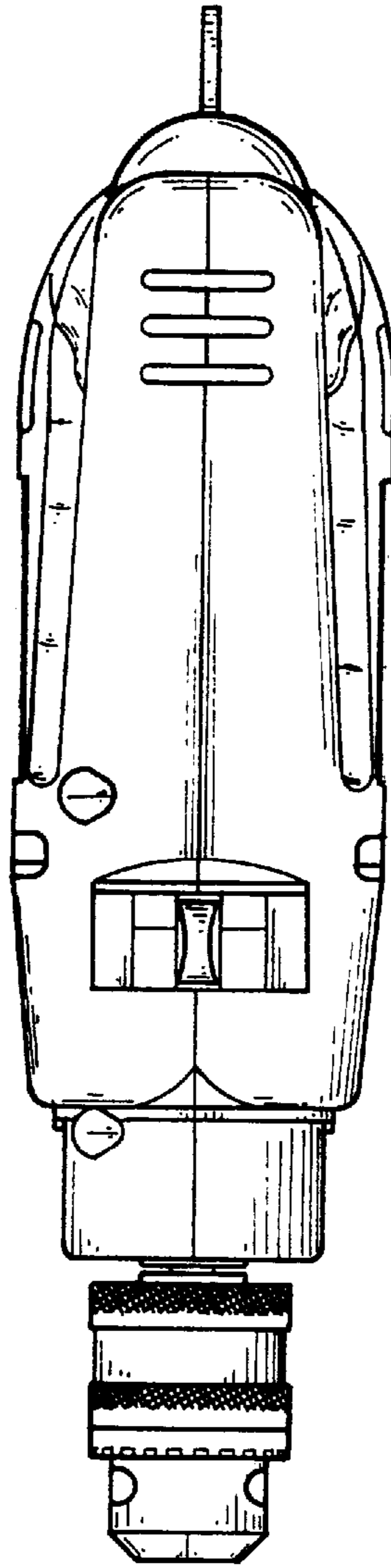


FIG 6

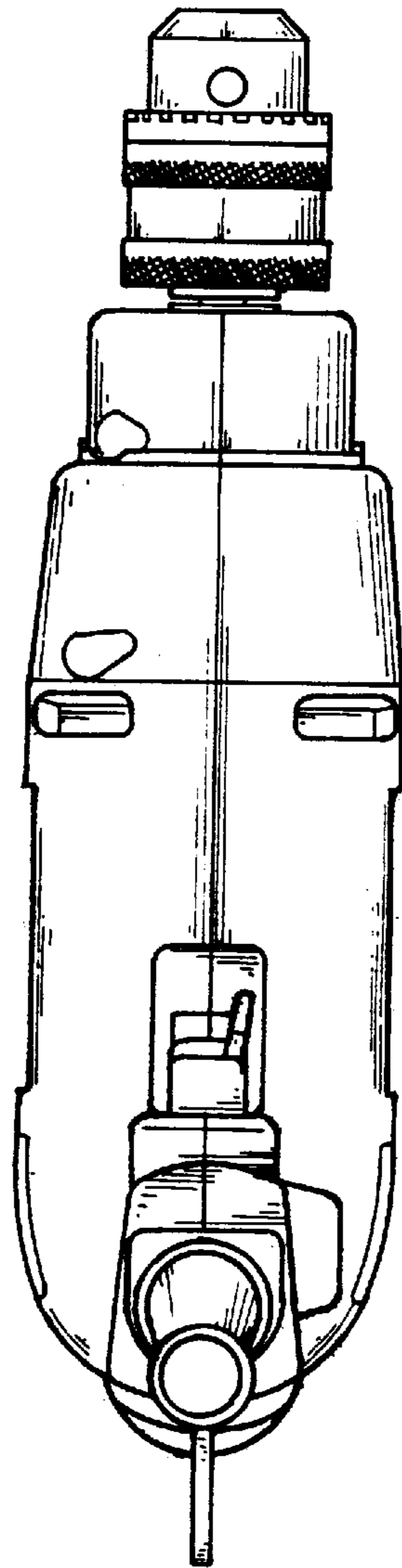


FIG 7