



US00D403564S

United States Patent [19] Izumisawa

[11] **Patent Number:** **Des. 403,564**

[45] **Date of Patent:** ****Jan. 5, 1999**

[54] **IMPACT WRENCH**

[75] Inventor: **Osamu Izumisawa**, Tokyo, Japan

[73] Assignee: **S.P. Air Kabusiki Kaisha**, Tokyo, Japan

[**] Term: **14 Years**

[21] Appl. No.: **72,762**

[22] Filed: **Jun. 24, 1997**

[51] **LOC (6) Cl.** **08-02**

[52] **U.S. Cl.** **D8/68**

[58] **Field of Search** D8/61, 68; 81/54,
81/57, 57.13, 57.14; 173/169, 170; 408/124,
125

[56] **References Cited**

U.S. PATENT DOCUMENTS

- D. 339,726 9/1993 Bruno et al. D8/68
- D. 388,678 1/1998 Bantly et al. D8/68

- 4,379,492 4/1983 Hiraoka 173/12
- 5,035,161 7/1991 Huang 81/54
- 5,199,505 4/1993 Izumisawa 173/93.6
- 5,377,769 1/1995 Hasuo et al. 173/169
- 5,535,867 7/1996 Cocco et al. 192/56.1

Primary Examiner—Antoine Duval Davis

Attorney, Agent, or Firm—Senniger, Powers, Leavitt & Roedel

[57] **CLAIM**

The ornamental design for an impact wrench, as shown and described.

DESCRIPTION

FIG. 1 is a right side elevational view of an impact wrench of my new design;
FIG. 2 is a left side elevational view thereof;
FIG. 3 is a front elevational view thereof;
FIG. 4 is a rear elevational view thereof;
FIG. 5 is a top plan view thereof; and,
FIG. 6 is a bottom plan view thereof.

1 Claim, 6 Drawing Sheets

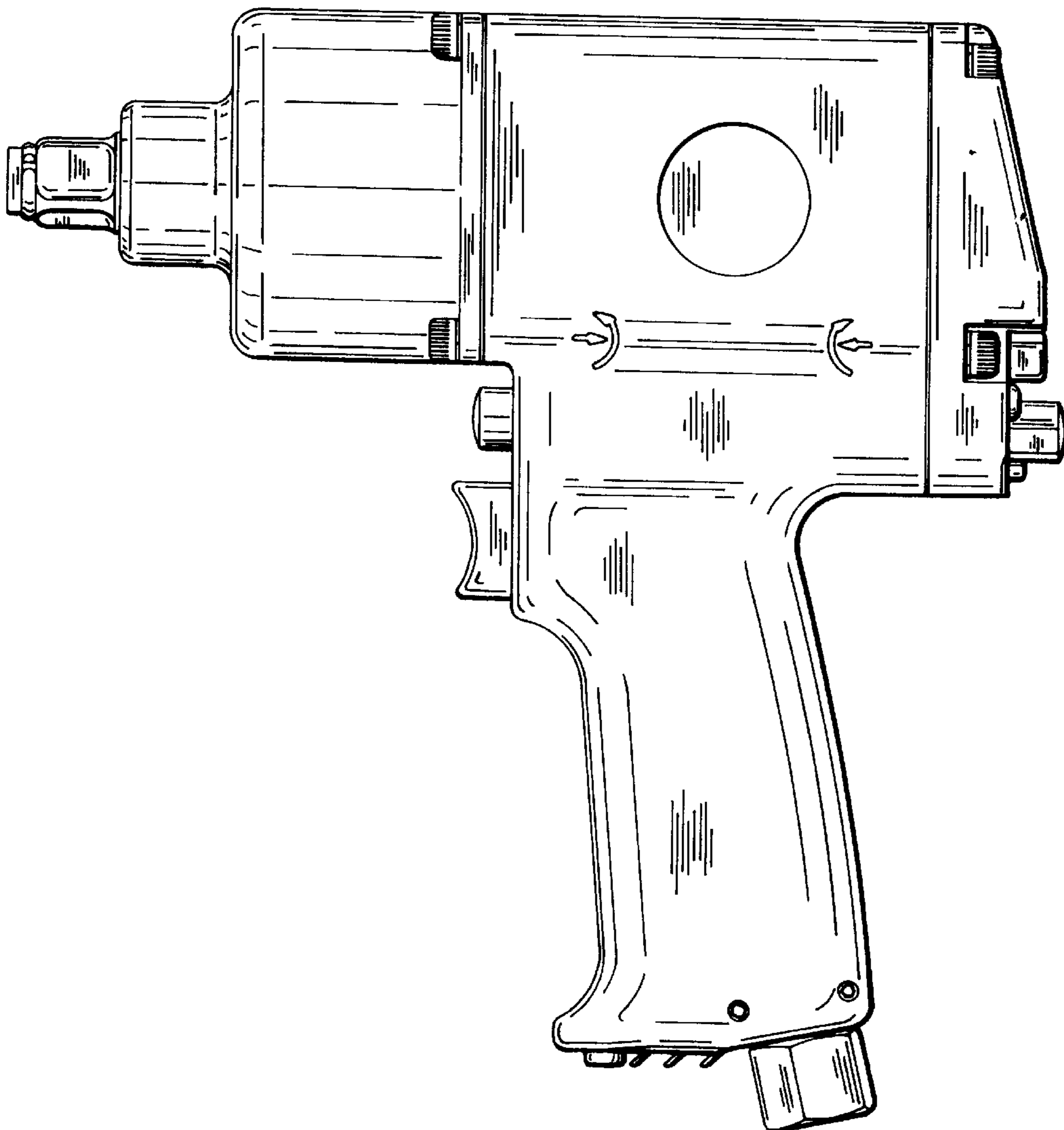


FIG. 1

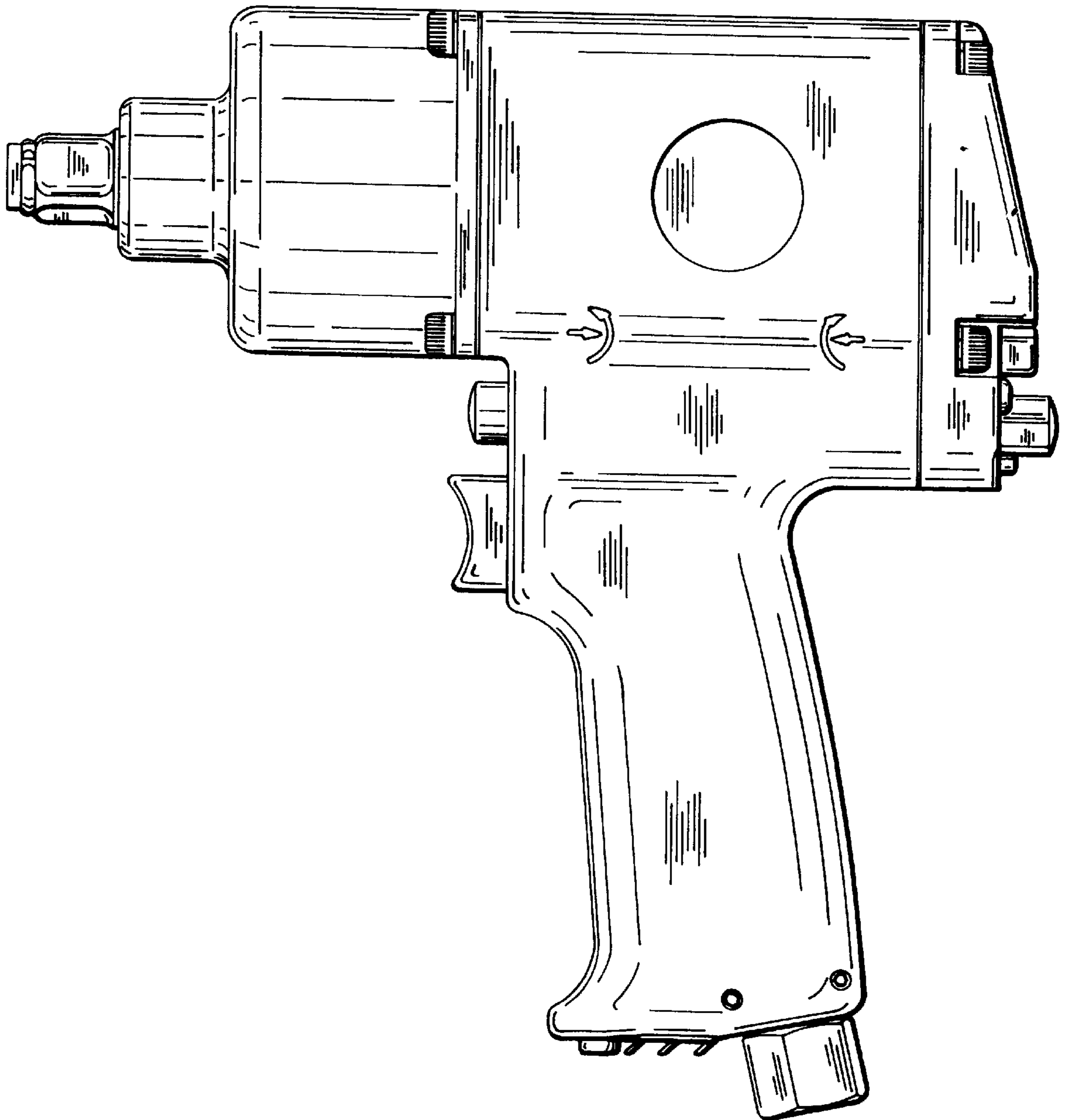


FIG. 2

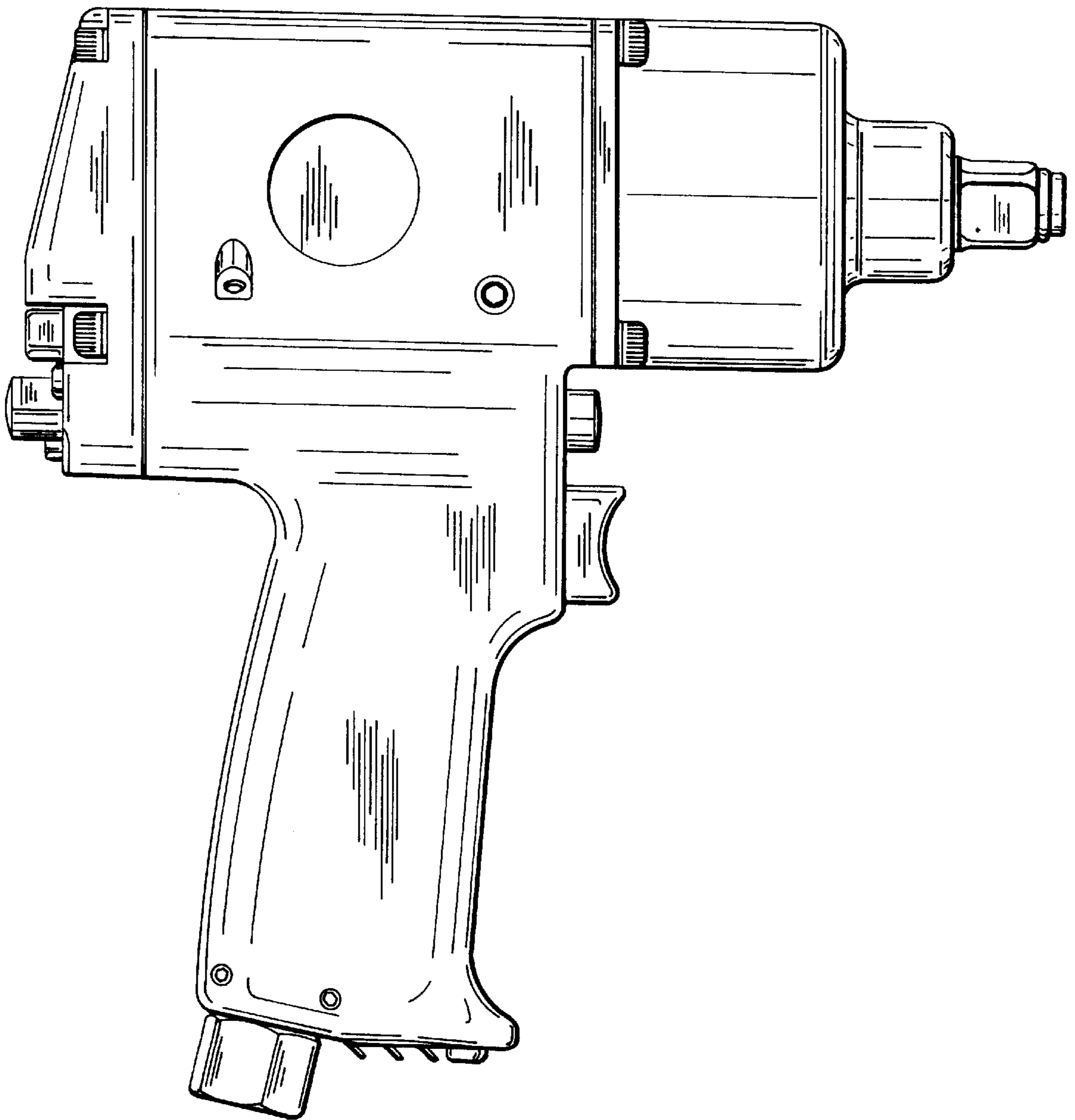


FIG. 3

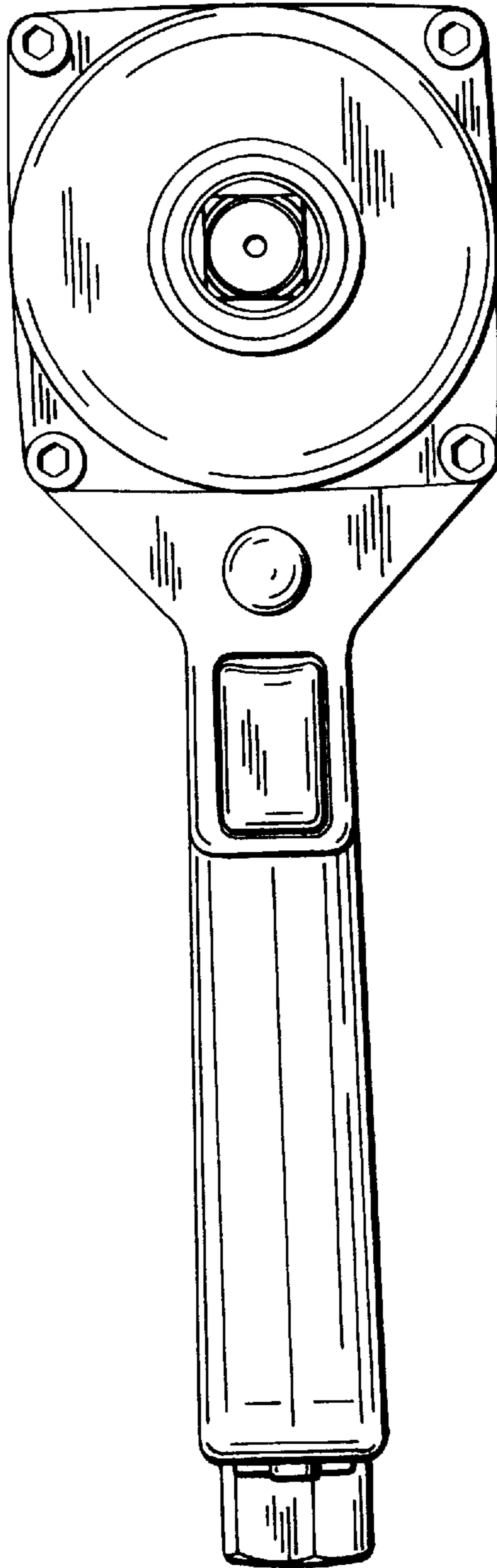


FIG. 4

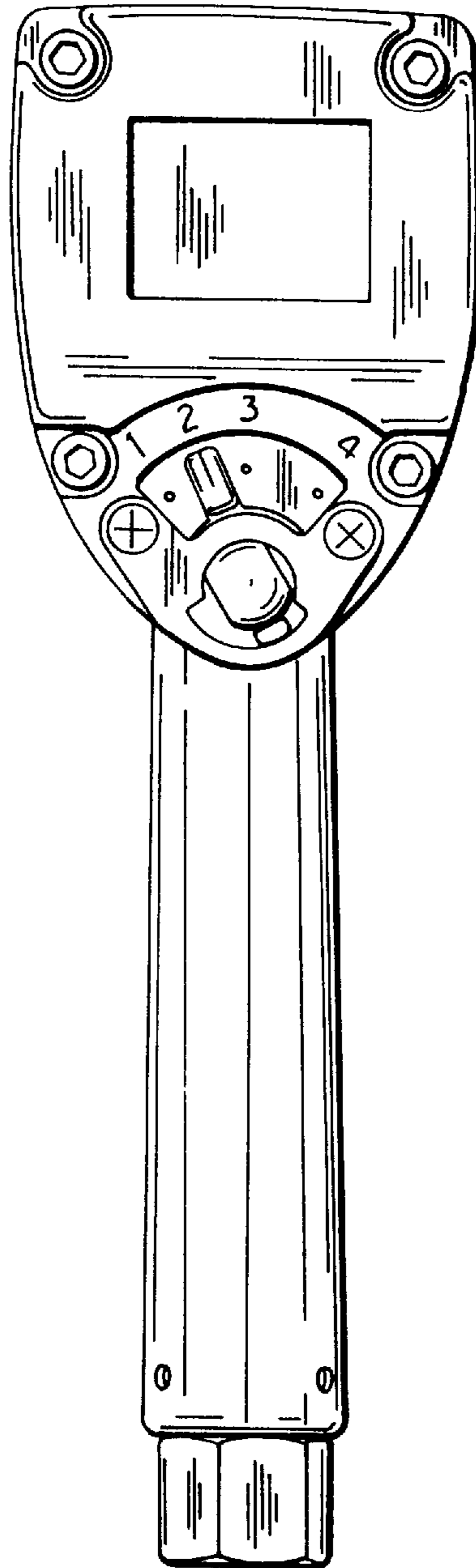


FIG. 5

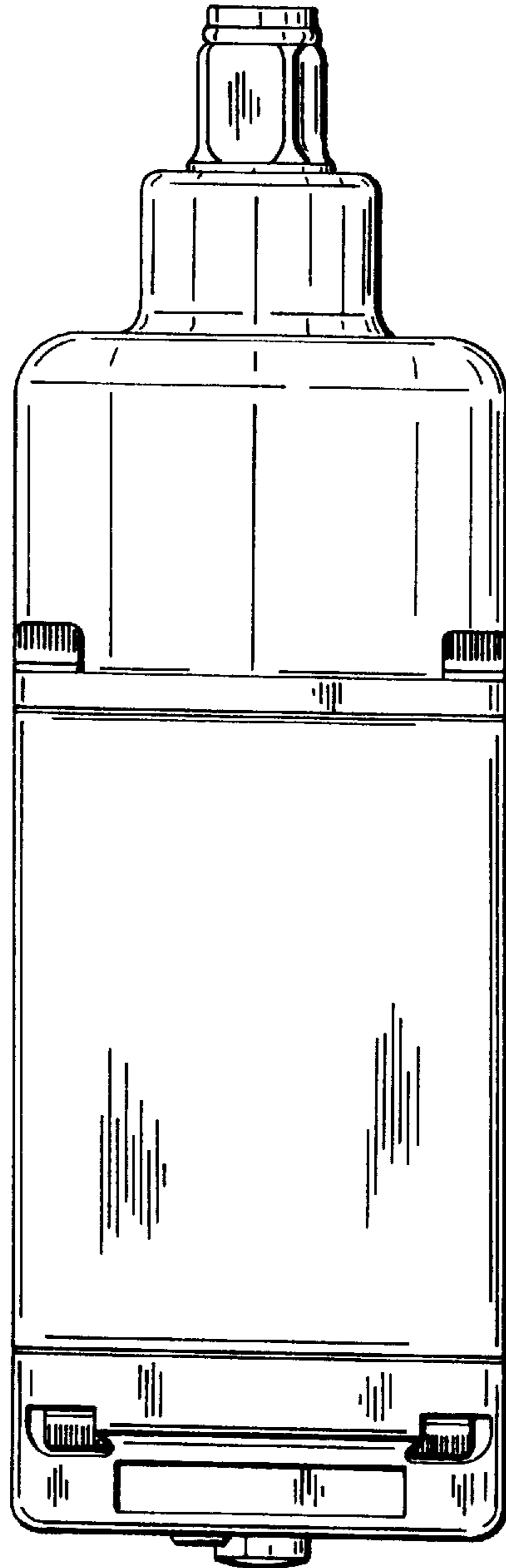


FIG. 6

