



US00D403555S

United States Patent [19]

Burns et al.

[11] Patent Number: **Des. 403,555**

[45] Date of Patent: *****Jan. 5, 1999**

[54] **CUP**

[75] Inventors: **Richard H. Burns**, Troy, Ohio; **Allen J. Hutton**, Greenfield, Ind.

[73] Assignee: **Seco Products Corporation**, Washington, Mo.

[*] Notice: The portion of the term of this patent subsequent to Dec. 31, 2010, has been disclaimed.

[**] Term: **14 Years**

[21] Appl. No.: **50,798**

[22] Filed: **Feb. 26, 1996**

[51] **LOC (6) Cl.** **07-01**

[52] **U.S. Cl.** **D7/509; D7/523; D7/531**

[58] **Field of Search** D7/500, 505, 507, D7/701, 538, 540, 541, 542, 543, 545, 546, 547, 549, 550, 552, 553, 554, 555, 557, 566, 584, 586, 587, 601, 602, 590, 592, 536, 387, 354, 585, 560, 561, 562, 565, 531, 509, 603, 610, 523, 619, 624, 620; 220/671, 675, 575, 23.8, 556, 23.83, 630; D9/424

D. 164,407	9/1951	Cowan	D7/565
D. 226,837	5/1973	Le Cody	D7/565 X
D. 248,269	6/1978	Schrekengost	D7/562
D. 287,917	1/1987	Pomroy et al.	D7/505
D. 315,658	3/1991	Scherer	D7/560
D. 316,358	4/1991	Thorp .	
D. 316,360	4/1991	Thorp	D7/565
D. 369,280	4/1996	Feer et al.	D7/602
2,438,844	3/1948	Dale	220/671
3,483,908	12/1969	Donovan	220/671 X
4,520,633	6/1985	Hoydic	D7/505 X

Primary Examiner—M. N. Pandozzi
Attorney, Agent, or Firm—Polster, Lieder, Woodruff & Lucchesi

[57] CLAIM

The ornamental design for cup, as shown and described.

DESCRIPTION

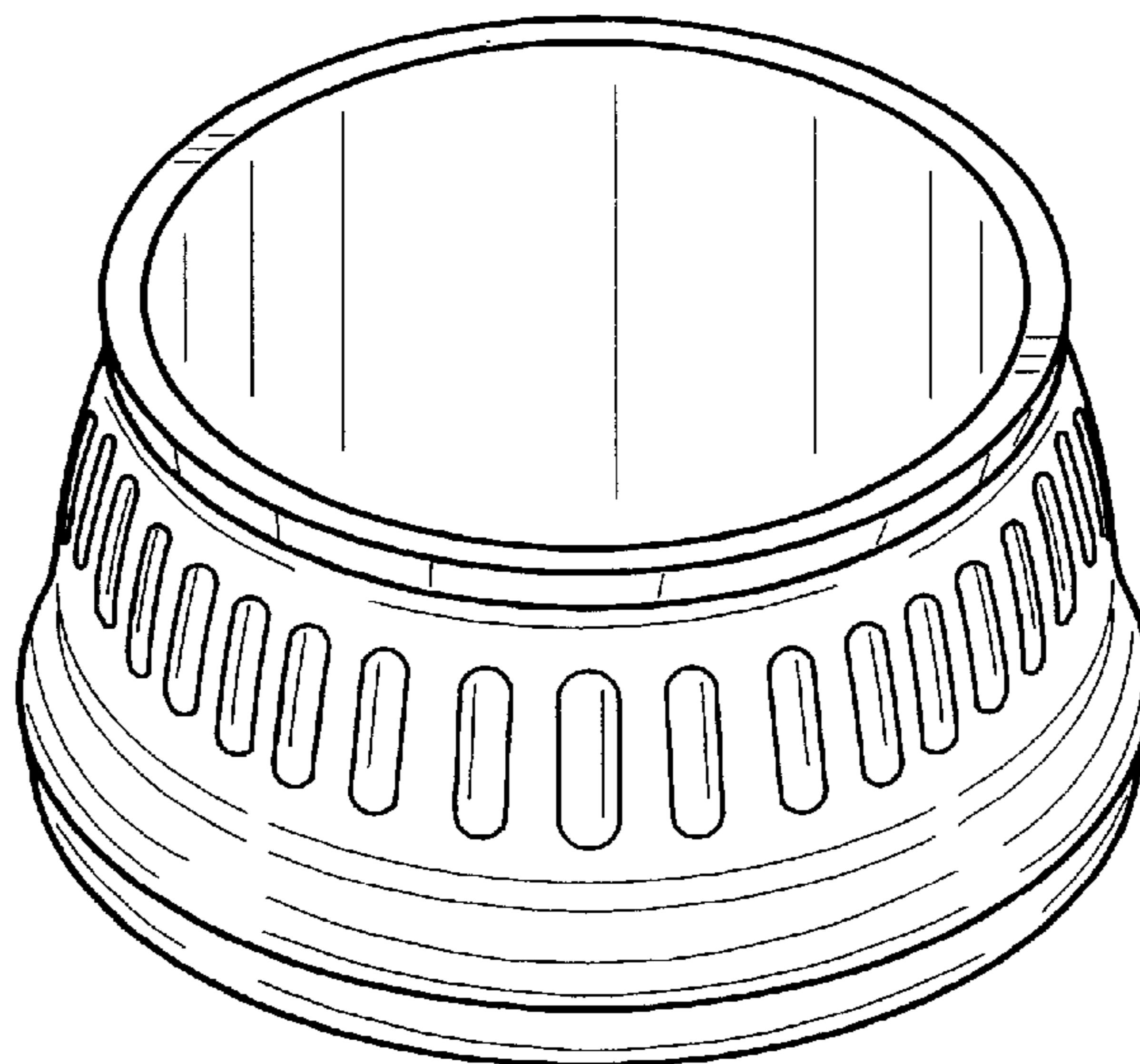
FIG. 1 is a top perspective view of a cup showing our new design;
FIG. 2 is a left side elevational view thereof, the opposite side being identical;
FIG. 3 is a front elevational view thereof, the rear elevational view being identical;
FIG. 4 is a top plan view thereof; and,
FIG. 5 is a bottom plan view thereof.

[56] References Cited

U.S. PATENT DOCUMENTS

D. 50,459 3/1917 Andrews D7/562

1 Claim, 1 Drawing Sheet



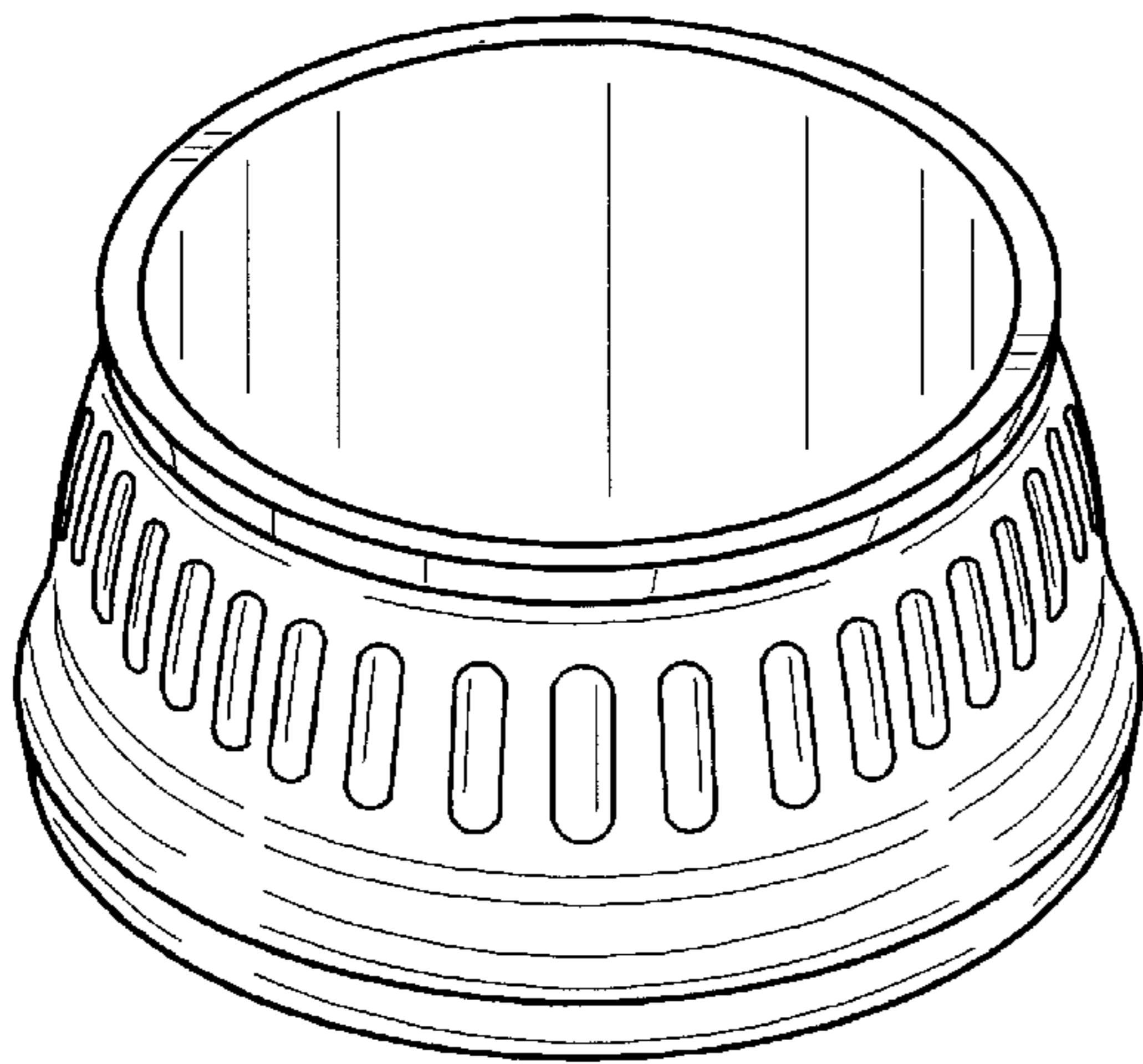


FIG. 1

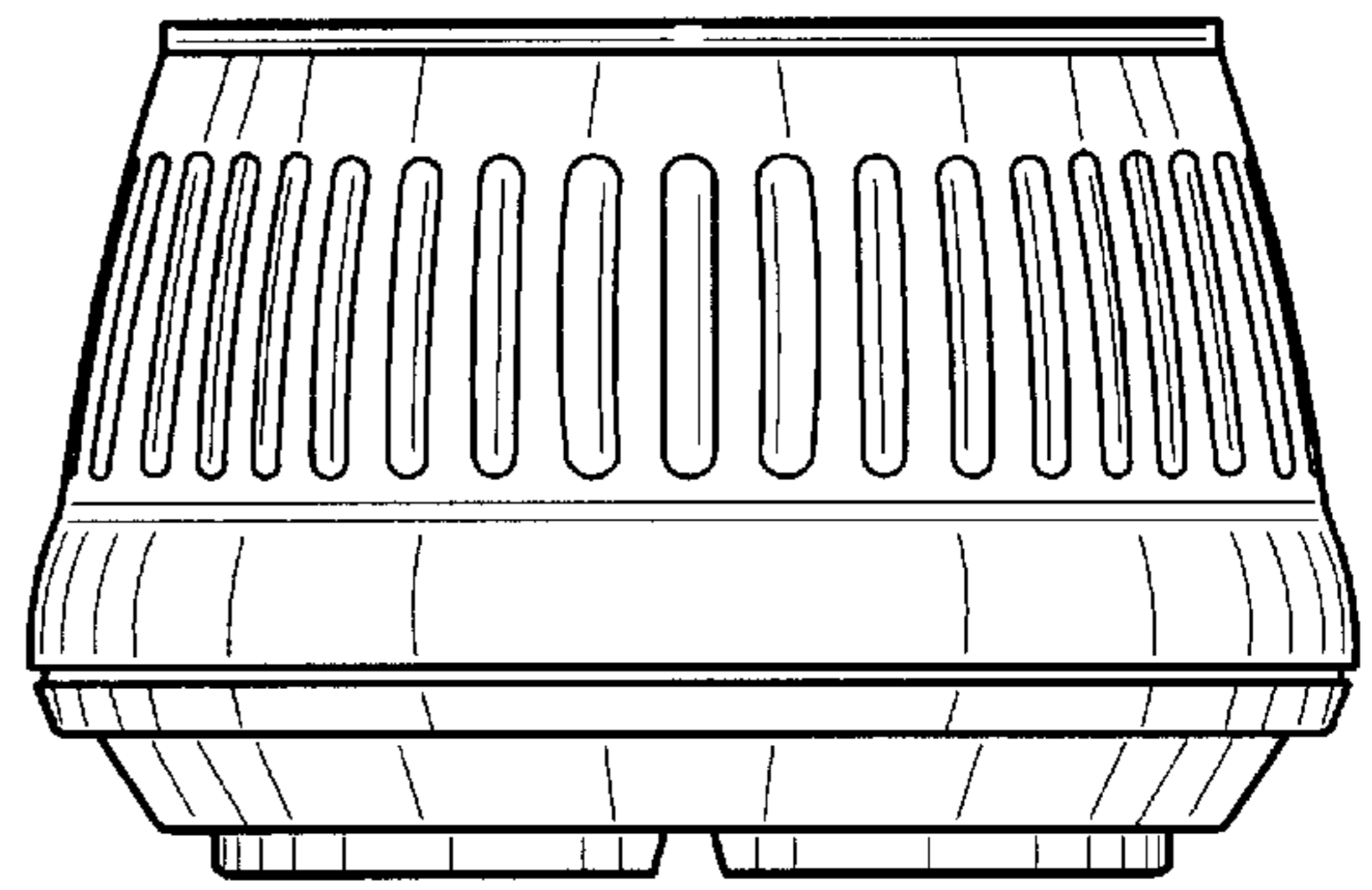


FIG. 2

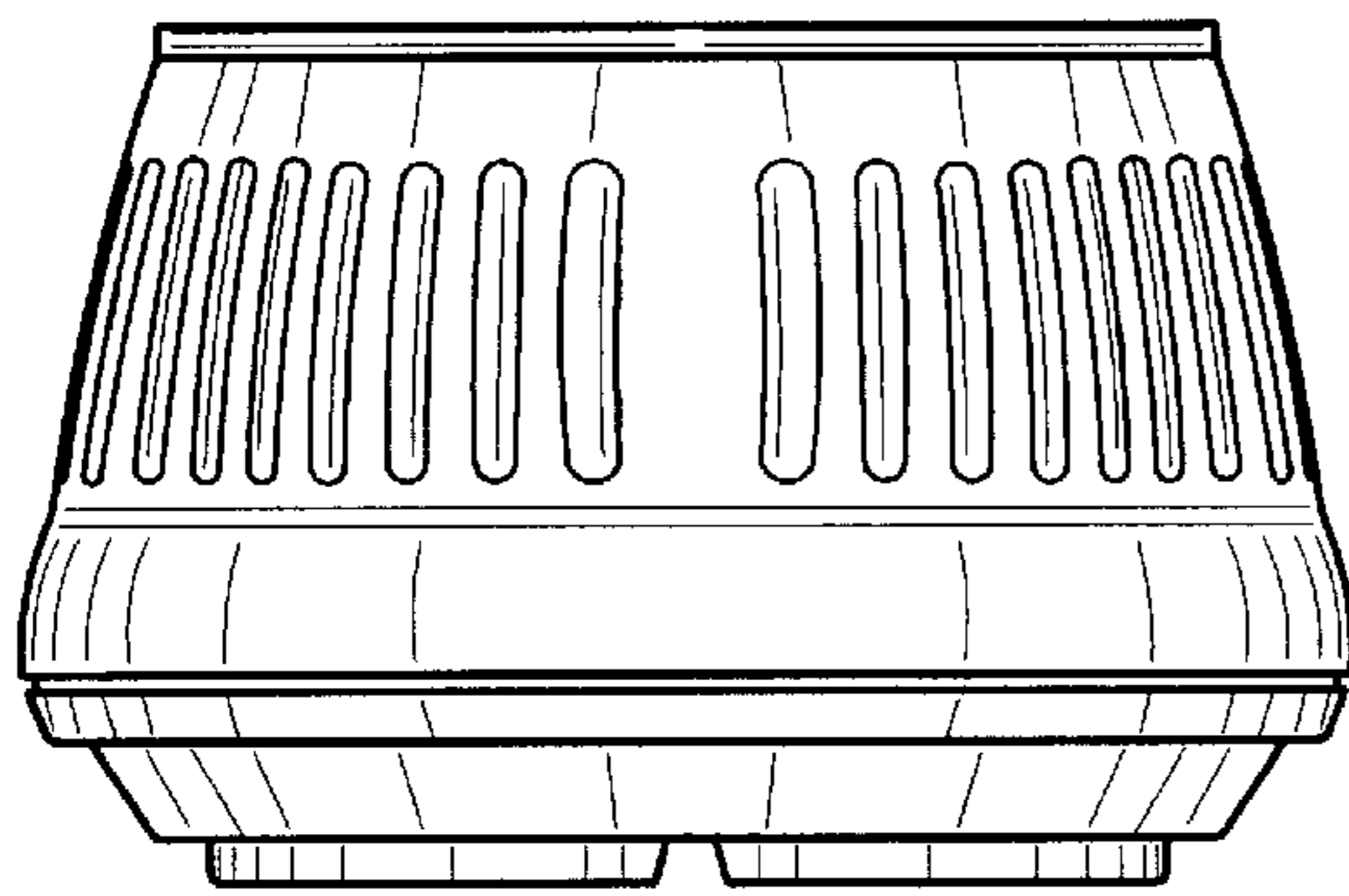


FIG. 3

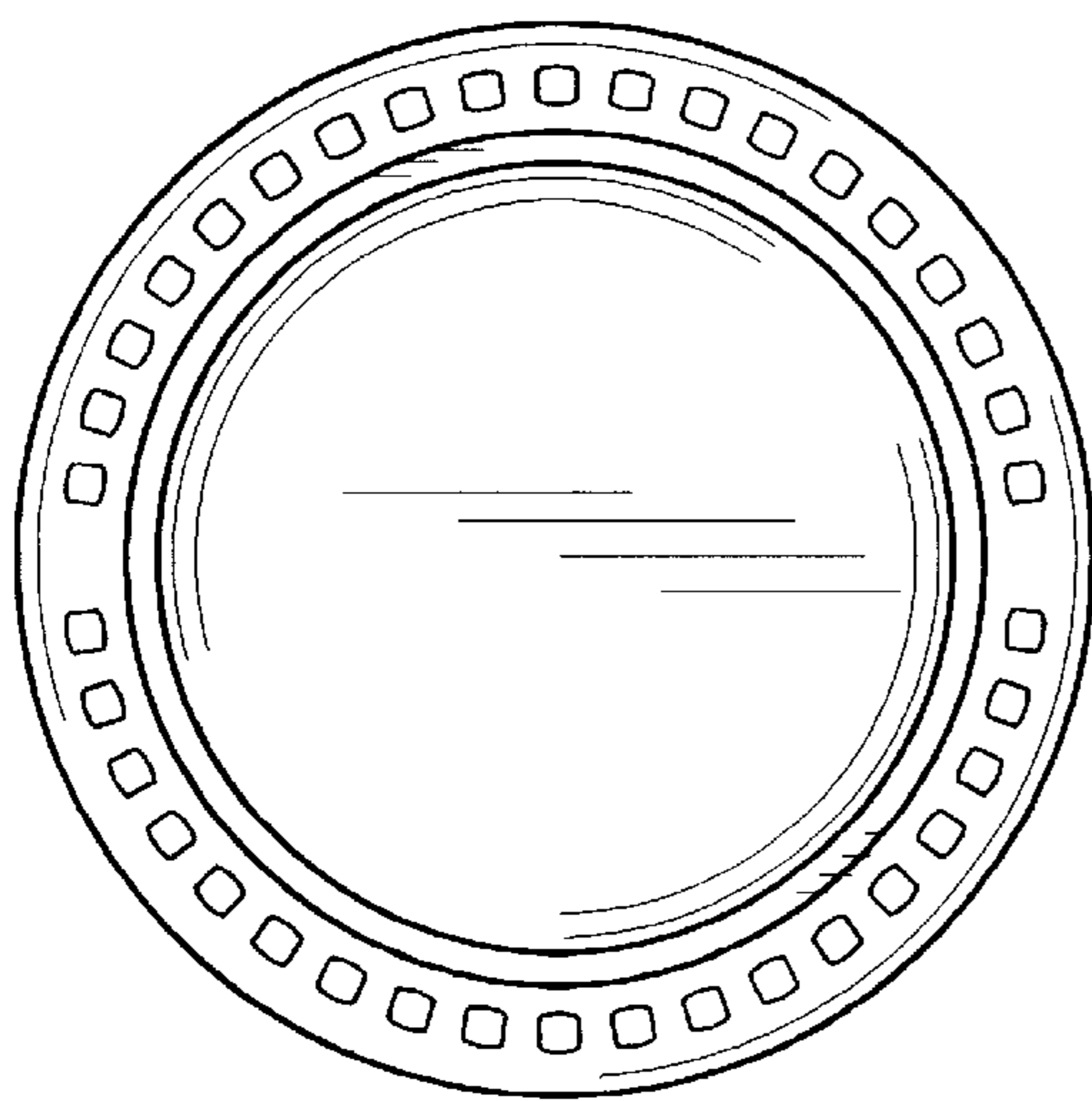


FIG. 4

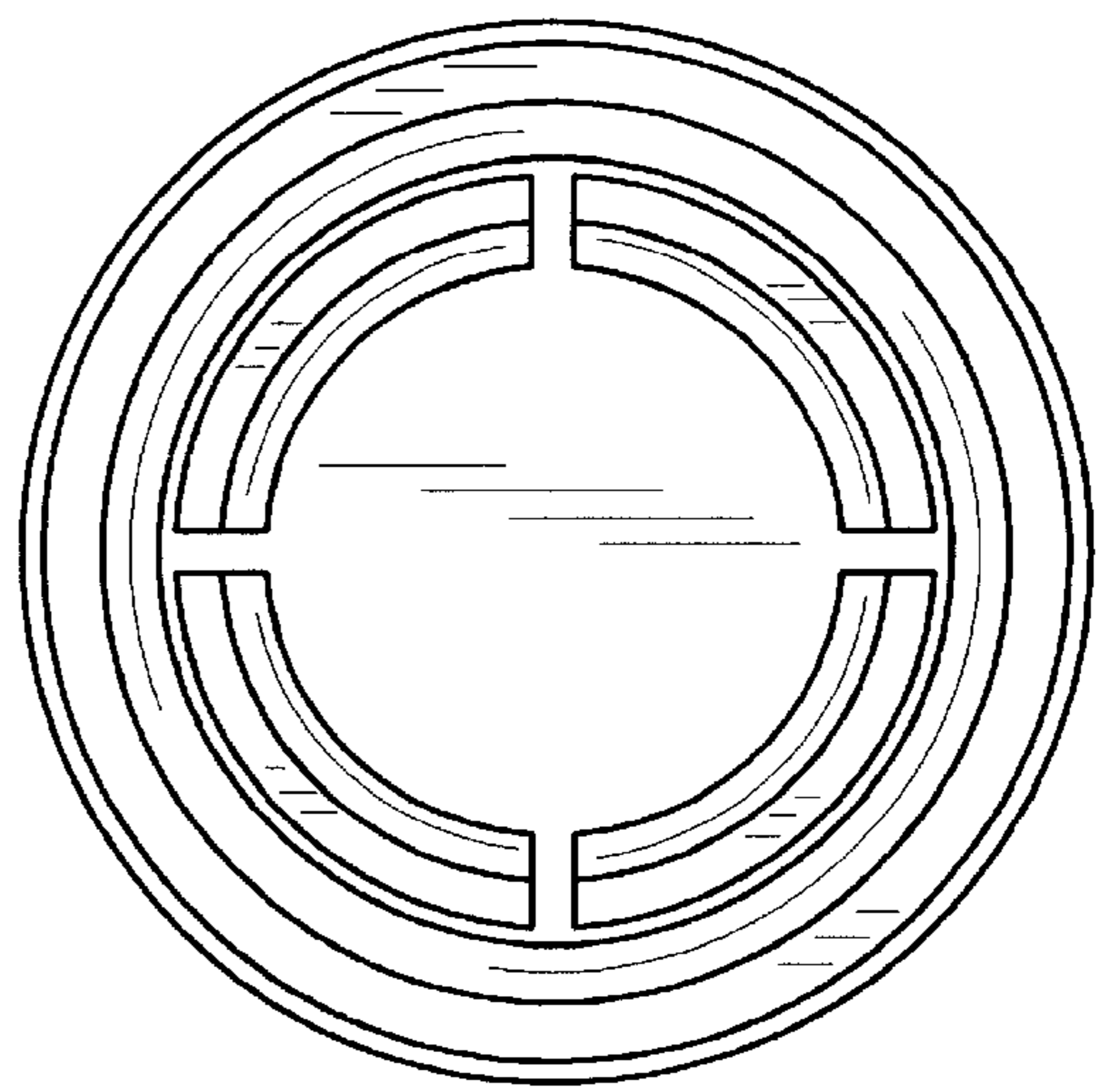


FIG. 5