



US00D403553S

United States Patent [19] Graur

[11] **Patent Number:** **Des. 403,553**

[45] **Date of Patent:** ****Jan. 5, 1999**

[54] **PORTABLE GRILL**

[76] Inventor: **Walter Graur**, Brooklyn, N.Y.

[**] Term: **14 Years**

[21] Appl. No.: **70,024**

[22] Filed: **Apr. 8, 1997**

[51] **LOC (6) Cl.** **07-02**

[52] **U.S. Cl.** **D7/335; D7/346**

[58] **Field of Search** D7/332-337, 346,
D7/402-404; 126/25 R, 25 A, 25 AA, 29-30,
9 R, 40, 39 B, 39 R, 41 R, 50; 99/340,
422; 219/447

[56] **References Cited**

U.S. PATENT DOCUMENTS

| | | | | |
|------------|---------|-----------|-------|----------|
| D. 201,234 | 5/1965 | Busse | | D7/337 |
| D. 249,448 | 9/1978 | Vache | | D7/337 |
| 4,042,806 | 8/1977 | McCartney | | 219/447 |
| 4,878,477 | 11/1989 | McLane | | 126/41 R |

| | | | | |
|-----------|---------|---------------|-------|----------|
| 5,158,067 | 10/1992 | Dutro et al. | | 126/39 R |
| 5,632,265 | 5/1997 | Koziol | | 126/30 |
| 5,645,042 | 7/1997 | Tompkins, Jr. | | 126/41 R |

Primary Examiner—Ruth McInroy
Attorney, Agent, or Firm—Charles E. Temkoe

[57] **CLAIM**

The ornamental design for a portable grill, as shown.

DESCRIPTION

FIG. 1 is a perspective view of a portable grill showing my new design;
FIG. 2 is a top plan view thereof;
FIG. 3 is a side elevational view thereof;
FIG. 4 is an end elevational view thereof;
FIG. 5 is a side elevational view thereof showing the side opposite that seen in FIG. 7;
FIG. 6 is an end elevational view thereof showing the end opposite that seen in FIG. 4; and,
FIG. 7 is a bottom plan view thereof.

1 Claim, 4 Drawing Sheets

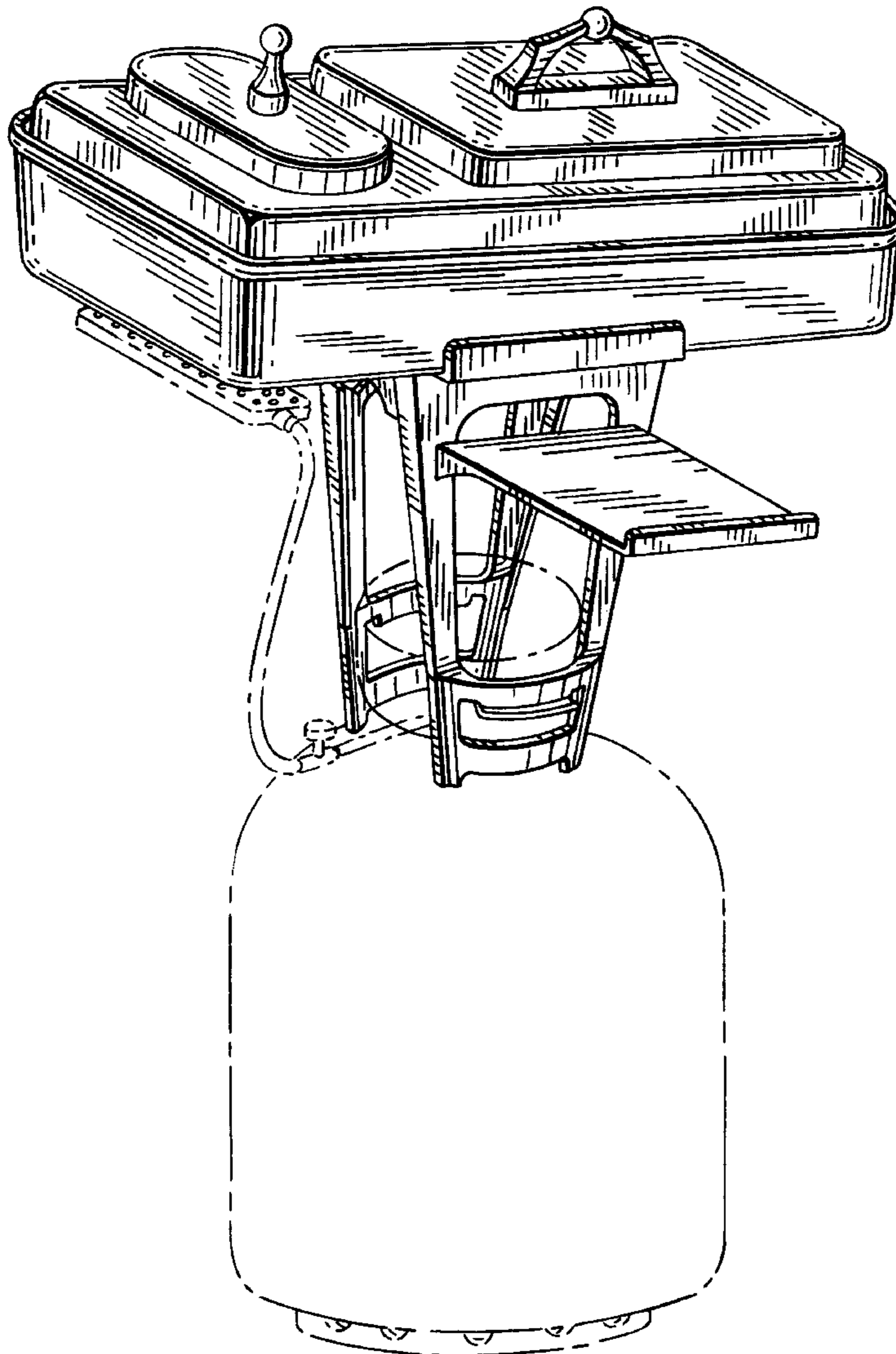
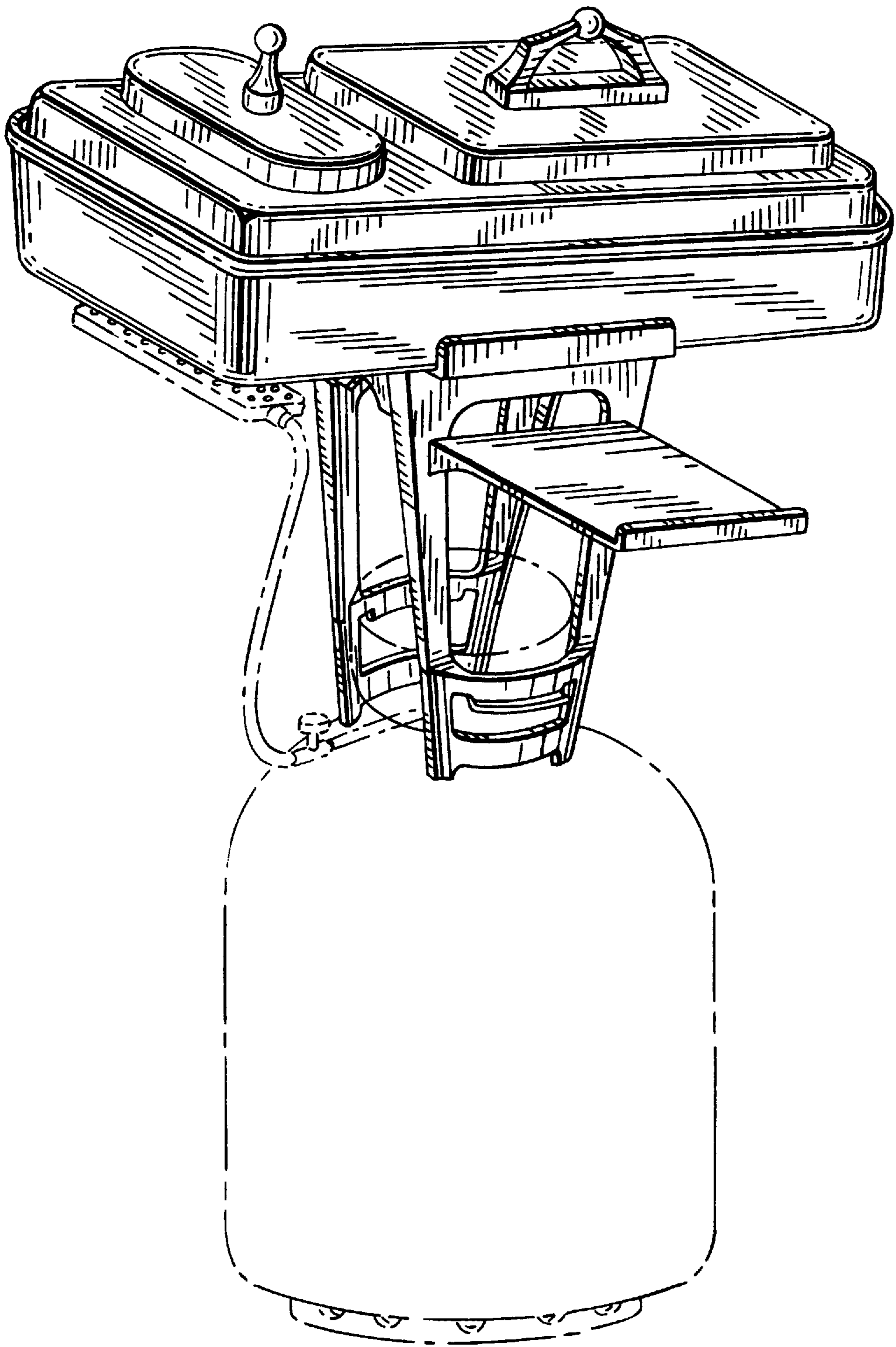


FIG. 1



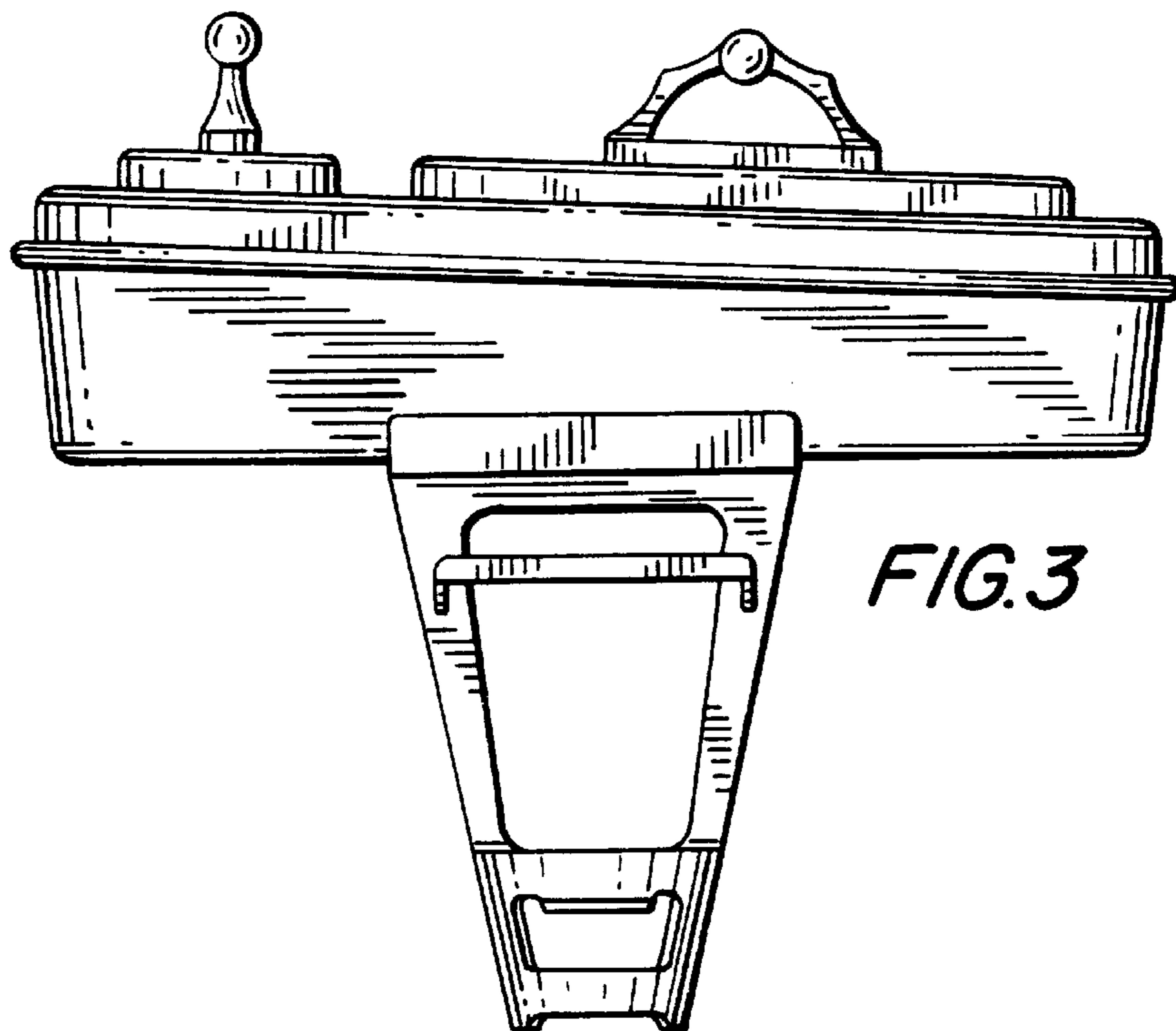
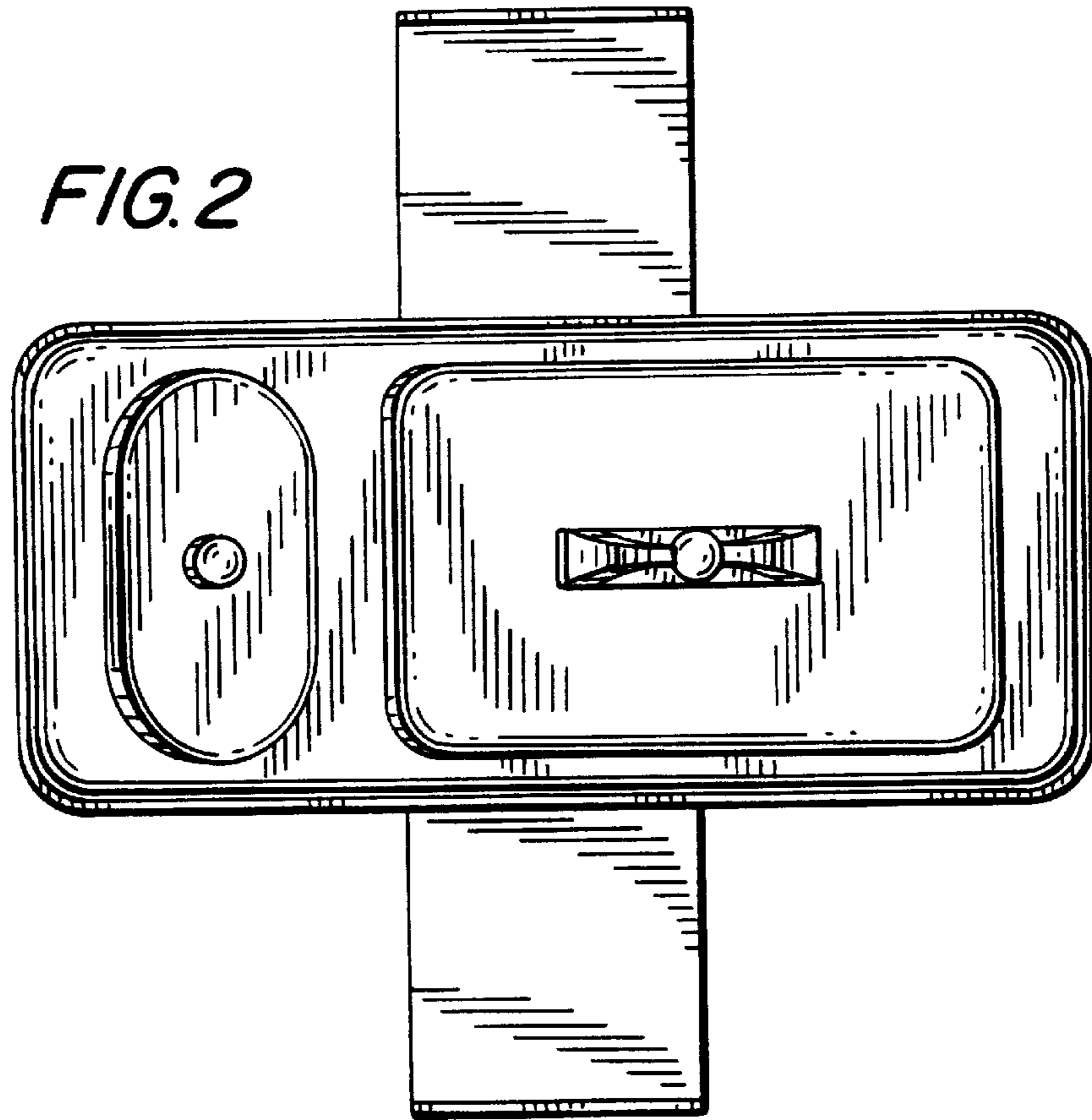


FIG. 4

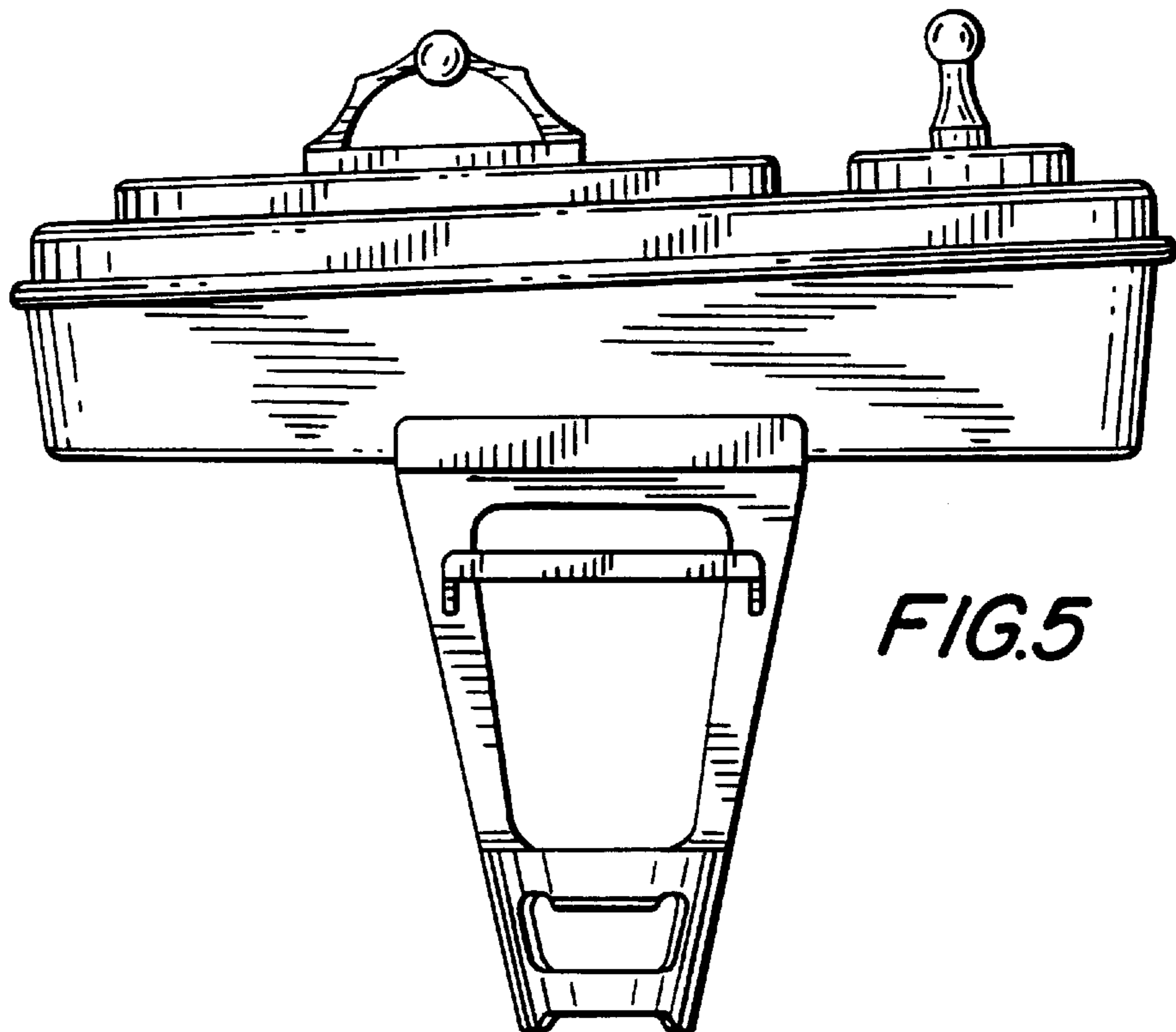
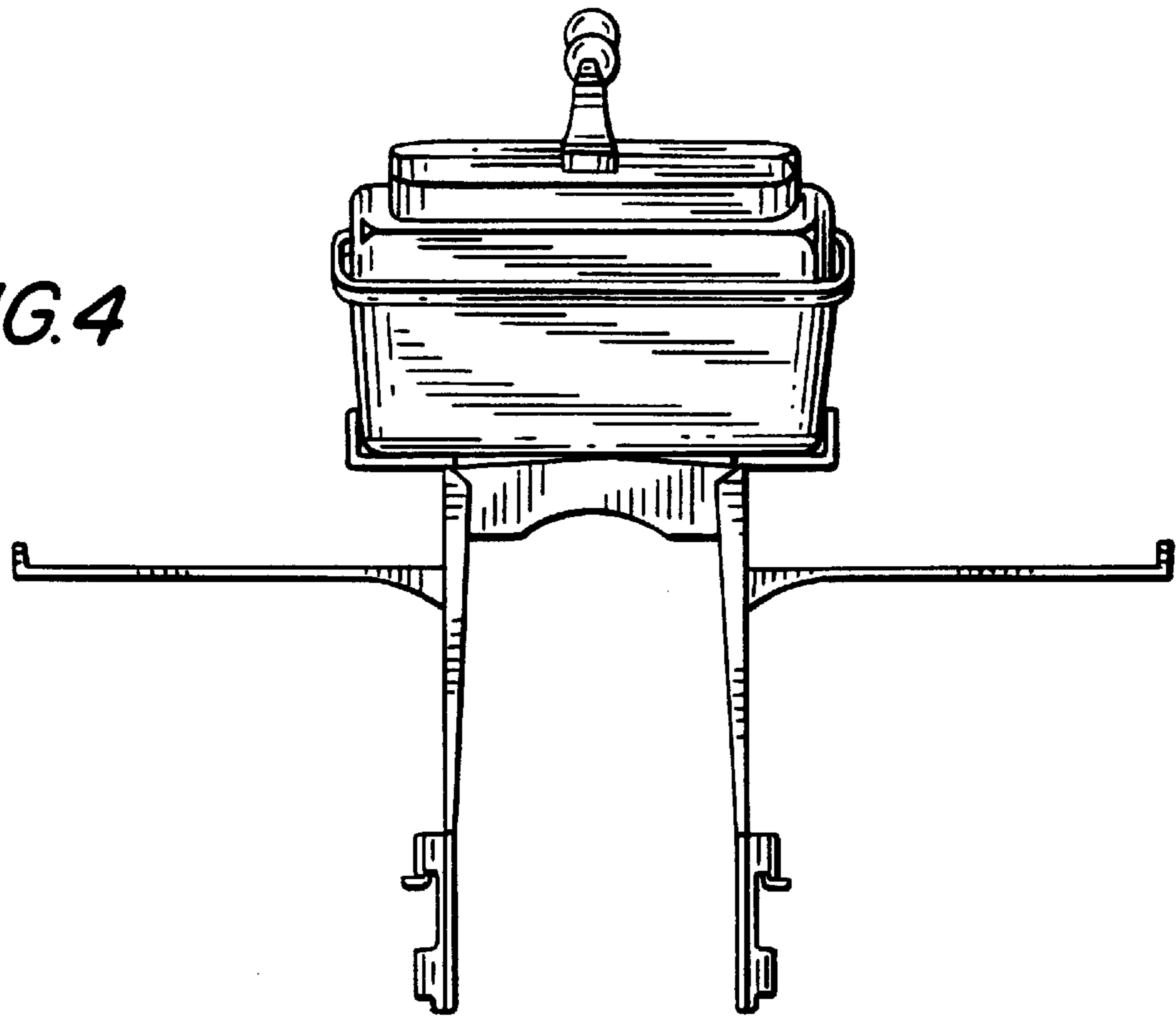


FIG. 5

FIG. 6

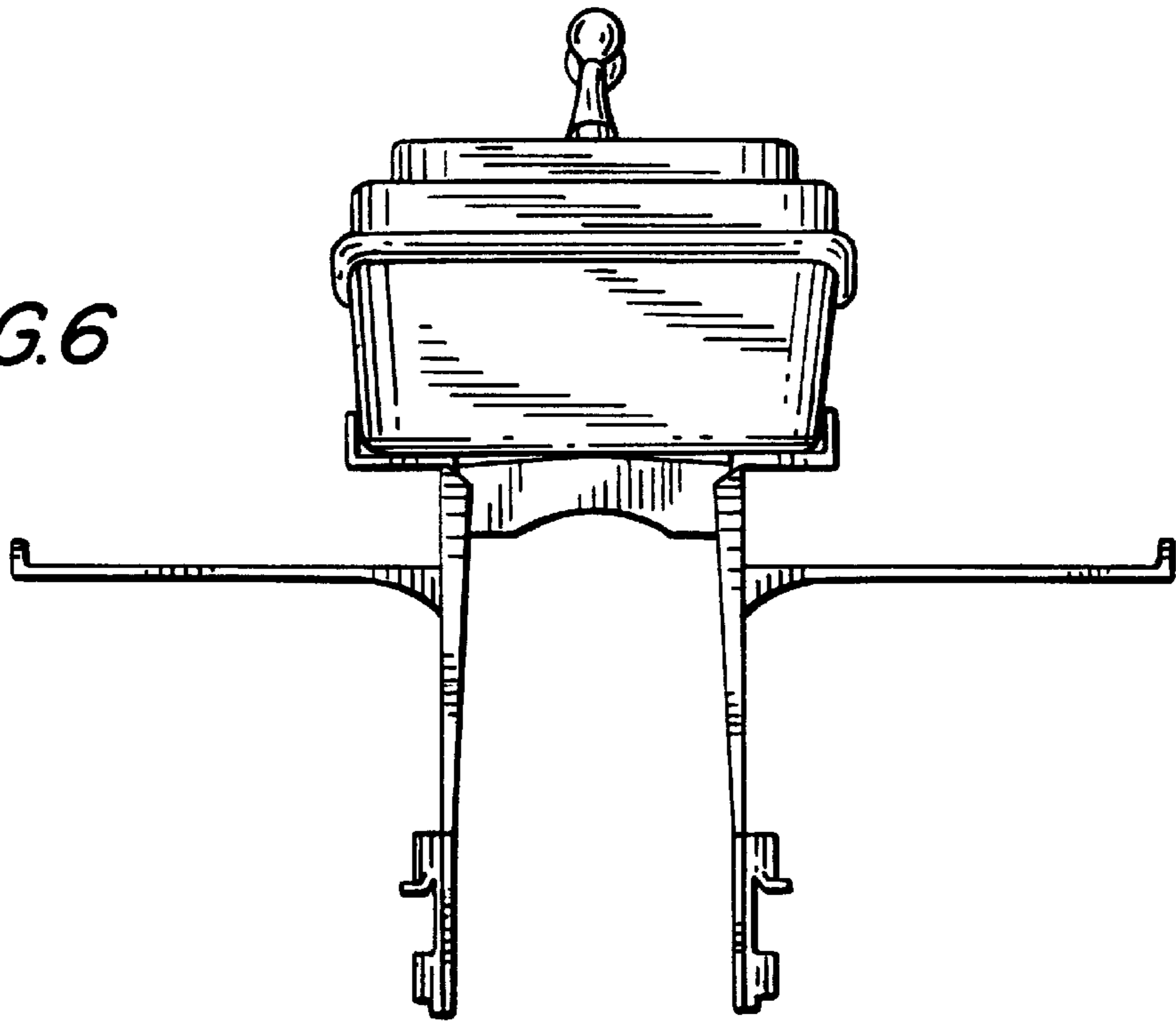


FIG. 7

