



US00D403552S

United States Patent [19]

Moran, Jr.

[11] Patent Number: **Des. 403,552**

[45] Date of Patent: ****Jan. 5, 1999**

[54] **CARAFE WITH ELONGATED HANDLE AND SPOUT**

[75] Inventor: **Jorge E. Moran, Jr.**, Nashville, Tenn.

[73] Assignee: **Megatrade International, Inc.**, Nashville, Tenn.

[**] Term: **14 Years**

[21] Appl. No.: **84,749**

[22] Filed: **Mar. 10, 1998**

[51] **LOC (6) Cl.** **07-01**

[52] **U.S. Cl.** **D7/319; D7/317; D7/318**

[58] **Field of Search** **D7/316, 317, 318, D7/322, 312, 319; 222/465.1, 475.1**

[56] **References Cited**

U.S. PATENT DOCUMENTS

D. 200,978	4/1965	Seltz	D7/318
D. 341,985	12/1993	Bunn et al.	D7/322
D. 390,743	2/1998	Saltet	D7/319
D. 394,981	6/1998	Huang	D7/319

D. 394,982	6/1998	Huang	D7/319
D. 395,576	6/1998	Huang	D7/319
D. 395,783	7/1998	Cautereels	D7/318
D. 396,377	7/1998	Tamura	D7/319

Primary Examiner—M. N. Pandozzi
Attorney, Agent, or Firm—Arent Fox Kintner Plotkin & Kahn, PLLC

[57] **CLAIM**

The ornamental design for a carafe with elongated handle and spout, as shown and described.

DESCRIPTION

FIG. 1 is a front elevation view of the carafe with elongated handle and spout showing my new design; FIG. 2 is a side elevation view thereof; FIG. 3 is a rear elevation view thereof; FIG. 4 is a top plan view thereof; FIG. 5 is an exploded side elevation view thereof; FIG. 6 is a top plan view thereof with the lid removed for ease of illustration; and, FIG. 7 is a bottom plan view thereof.

1 Claim, 3 Drawing Sheets

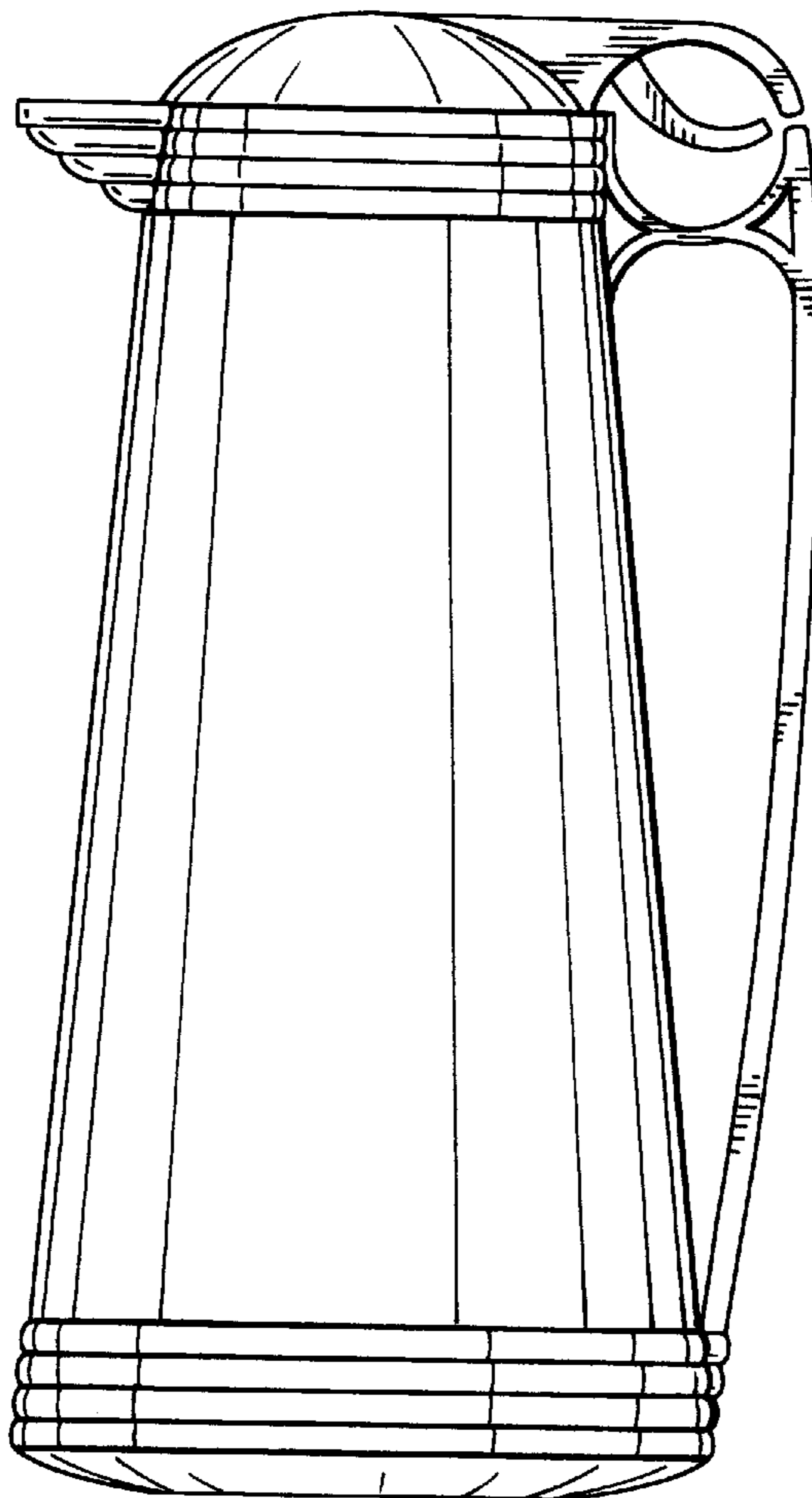


FIG. 1

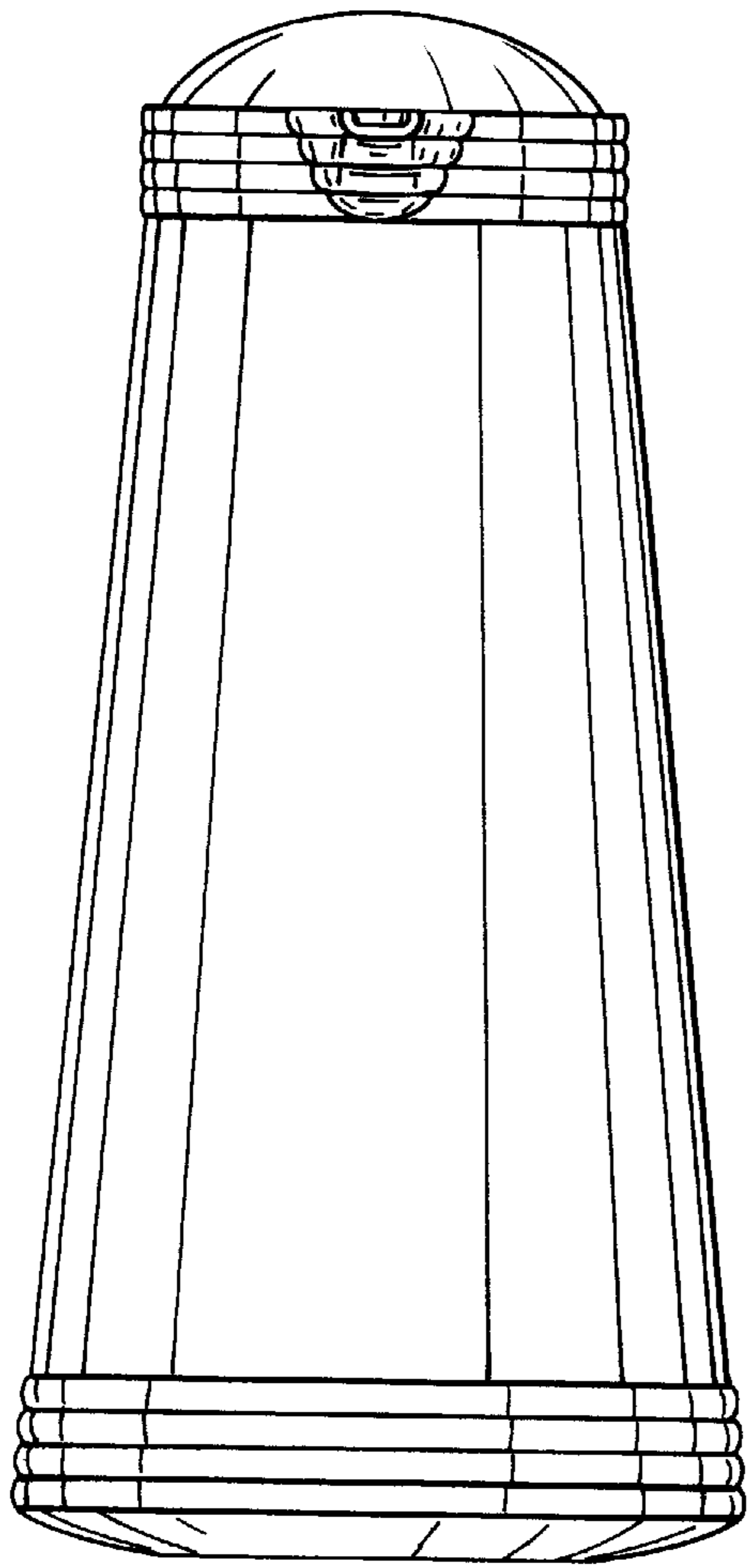


FIG. 2

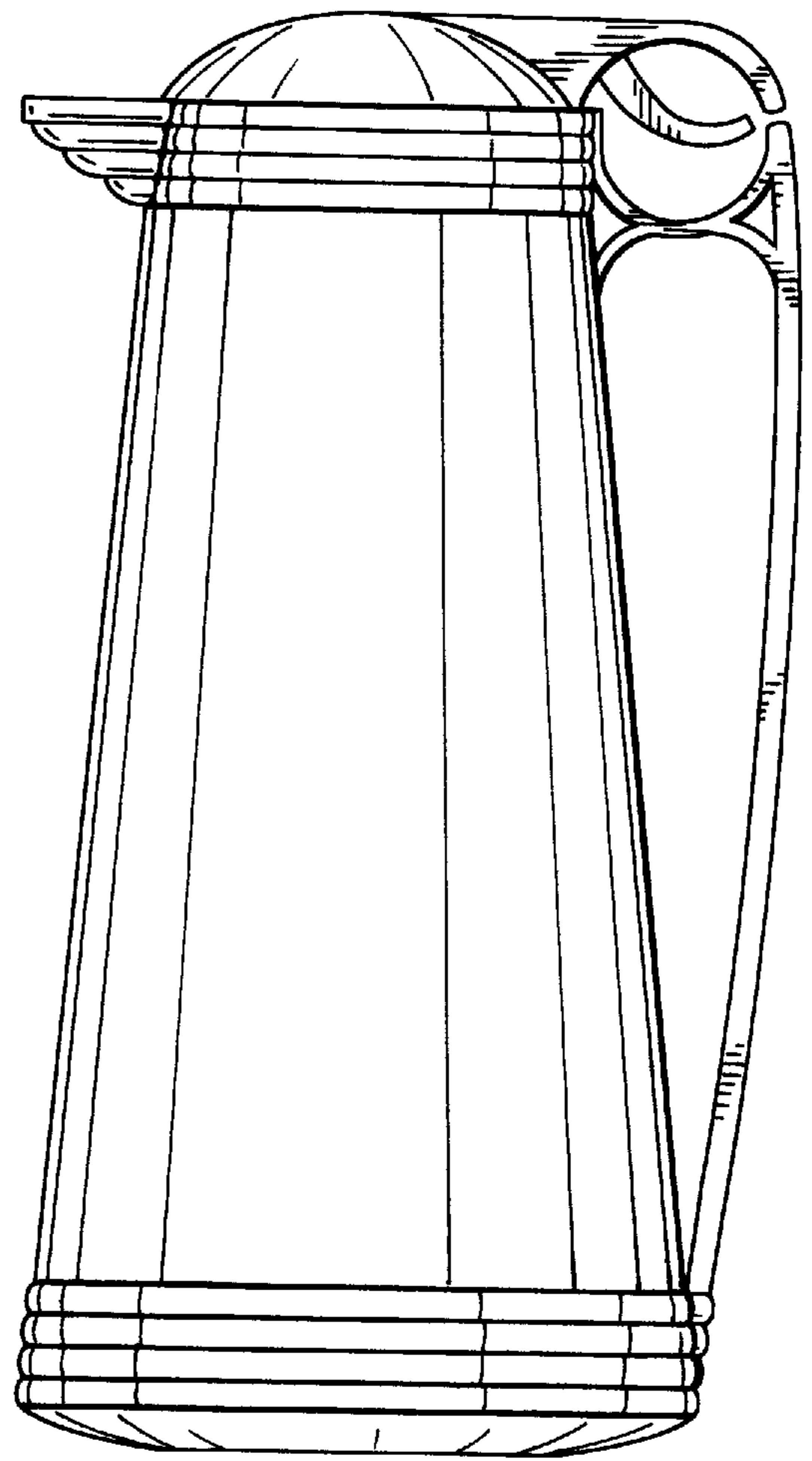


FIG. 3

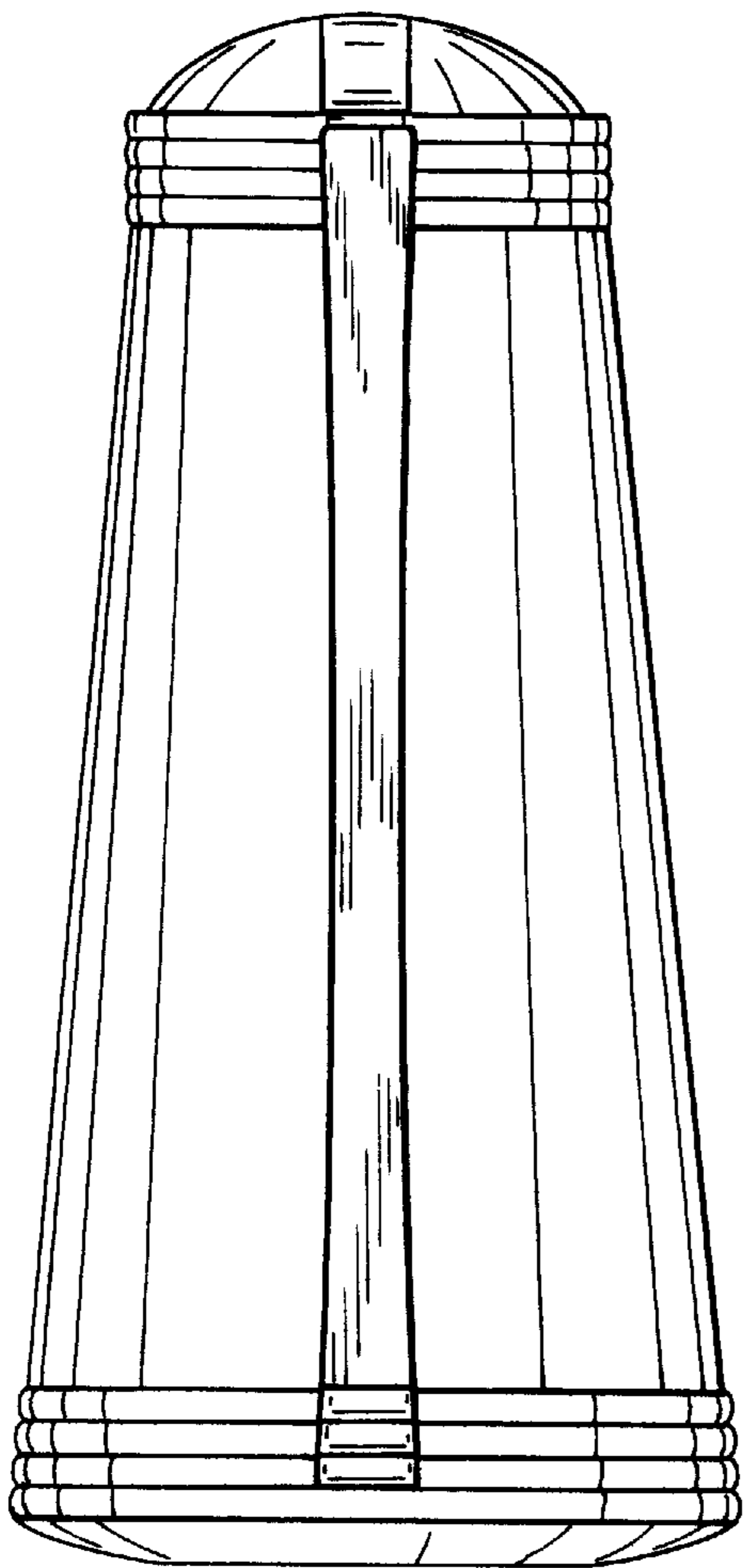
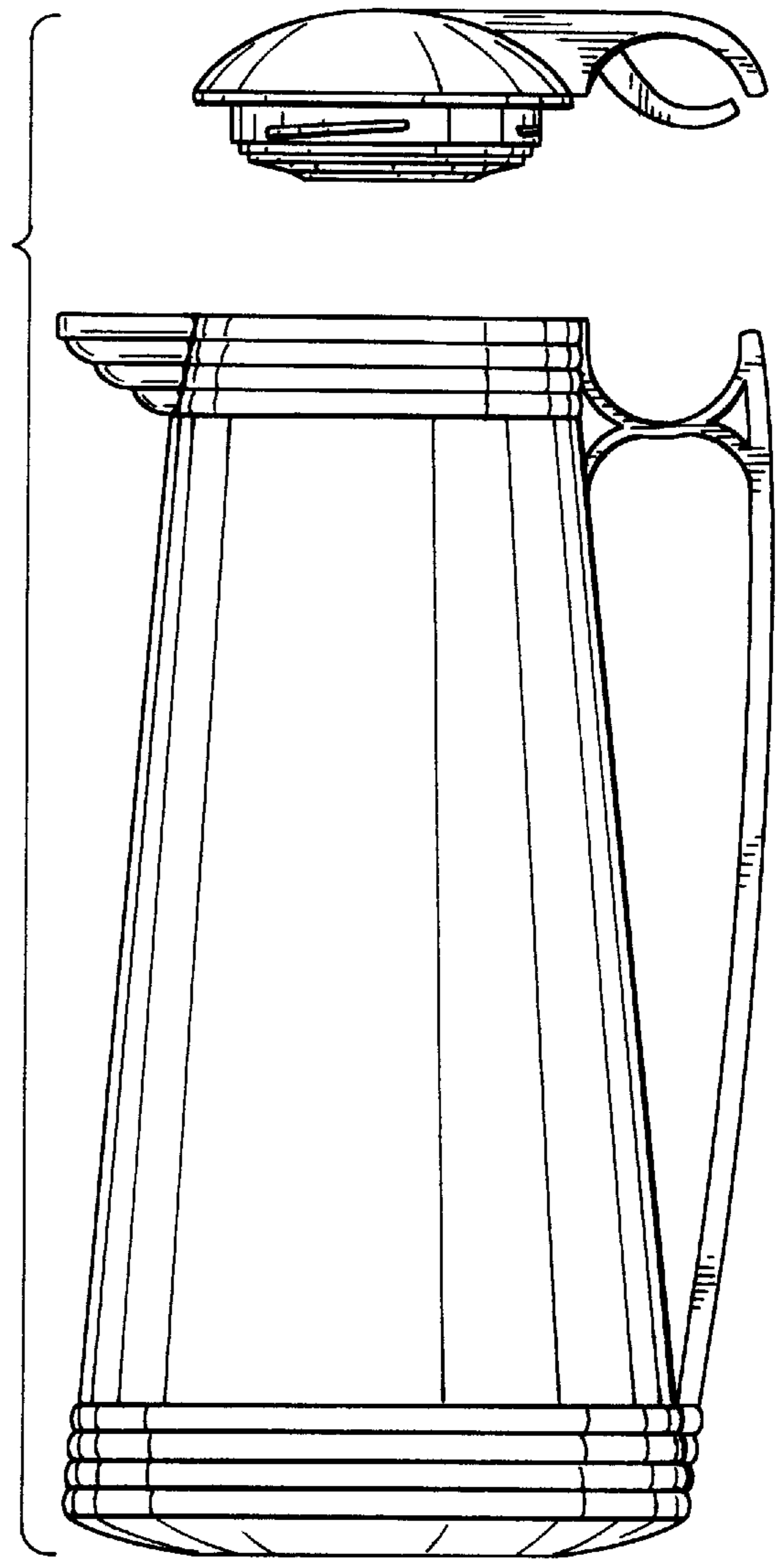


FIG. 5



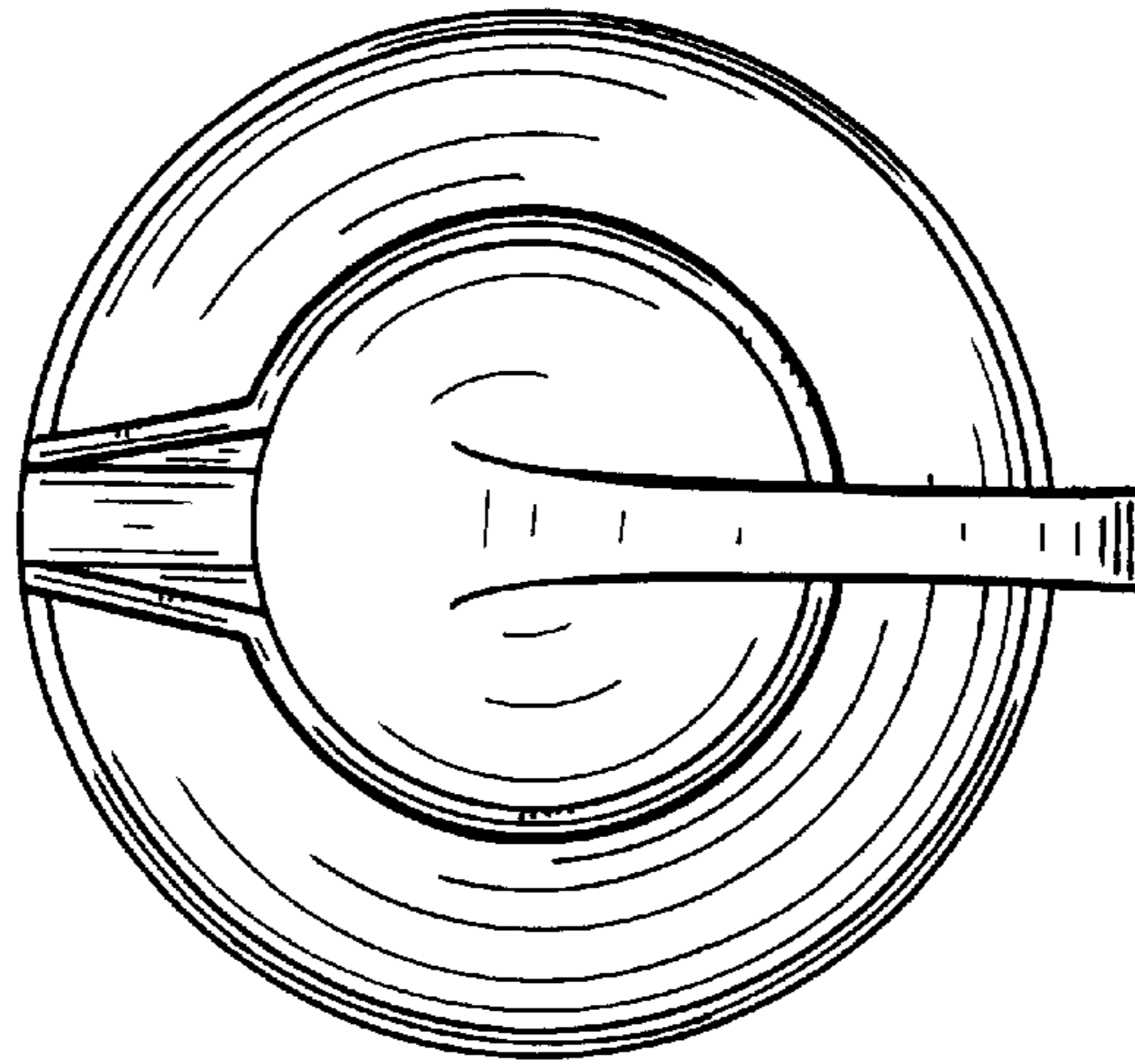


FIG. 4

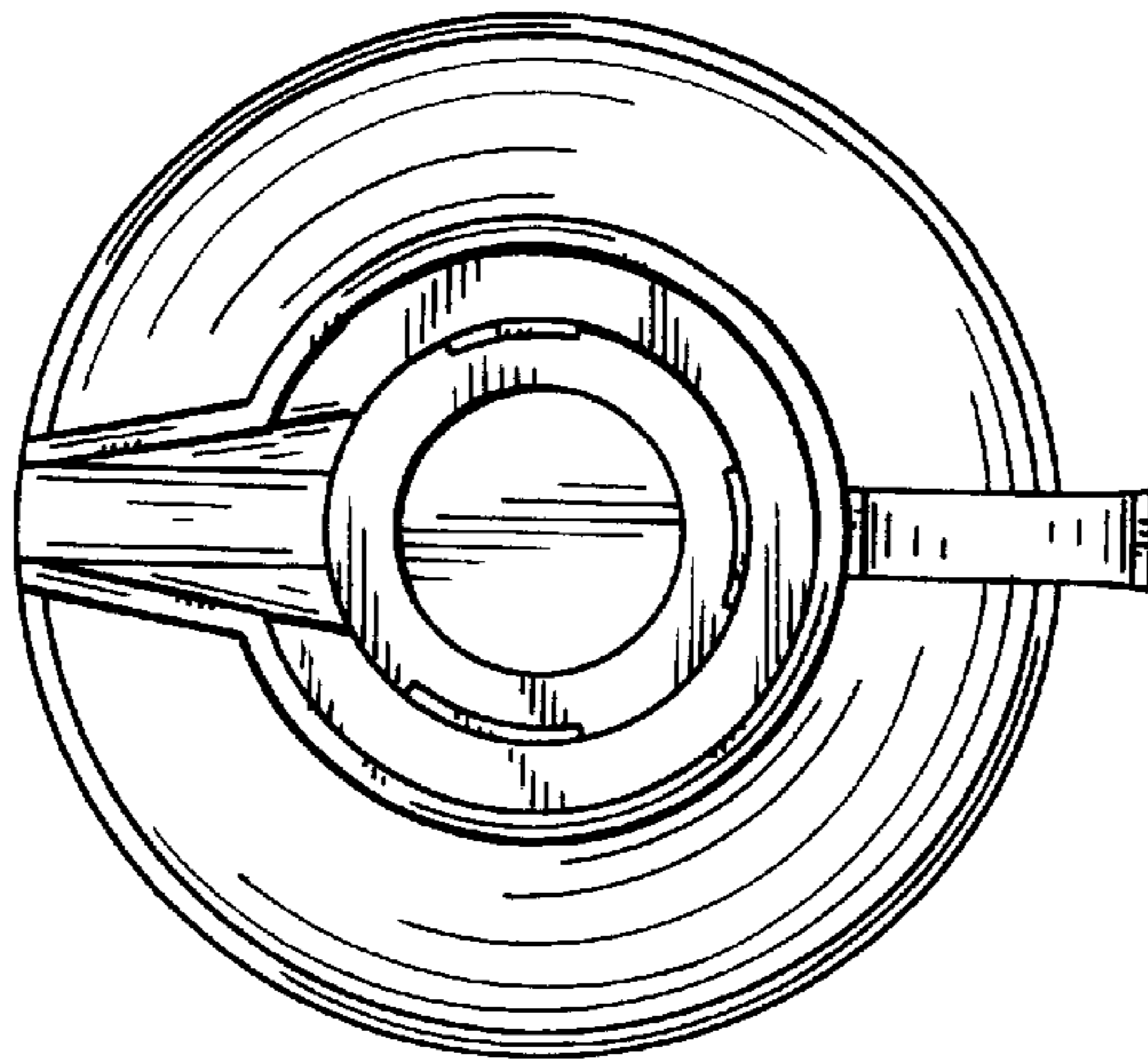


FIG. 6

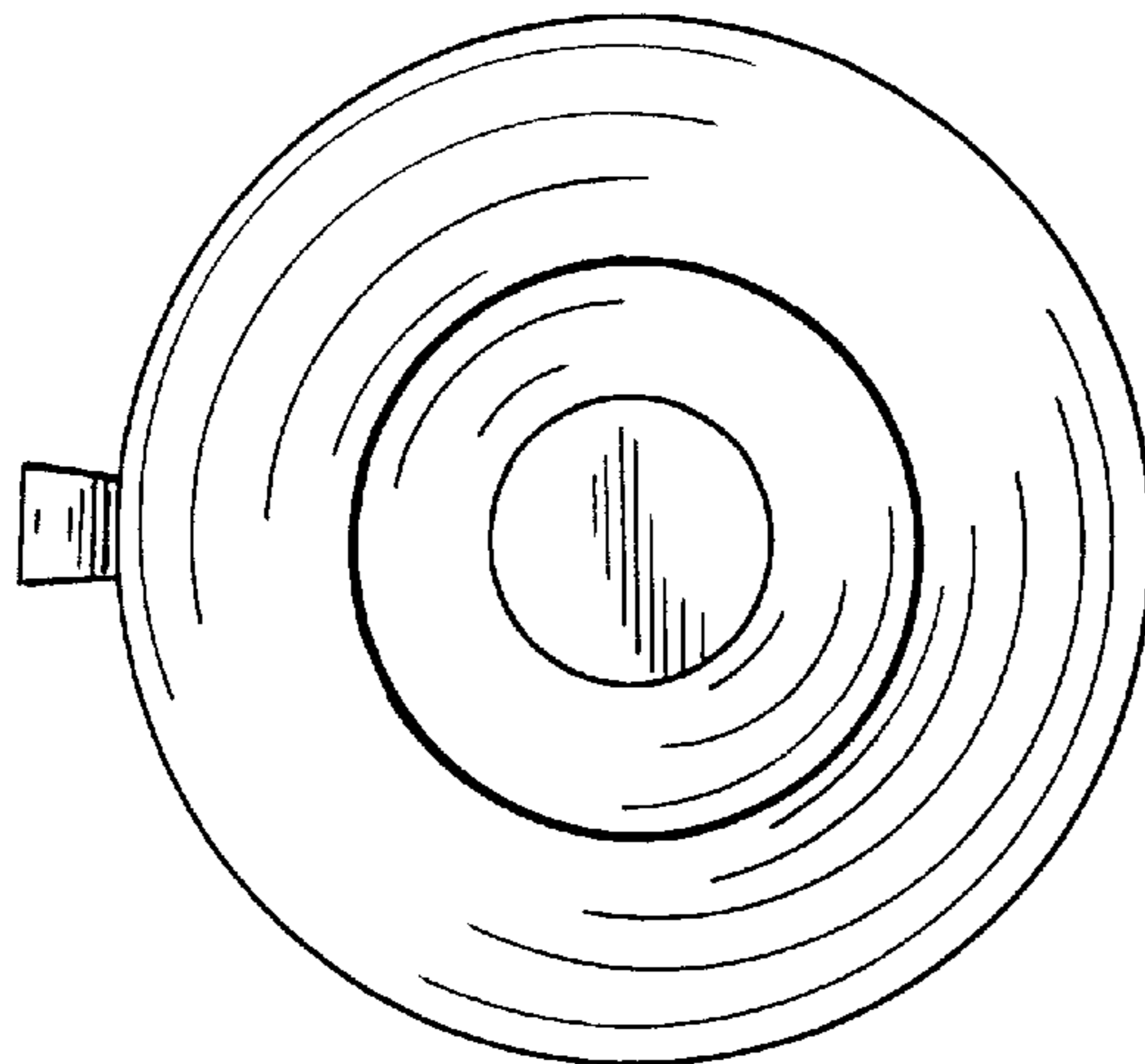


FIG. 7