



US00D403551S

# United States Patent [19] Seiffert

[11] Patent Number: **Des. 403,551**

[45] Date of Patent: **\*\*Jan. 5, 1999**

[54] **ESPRESSO MACHINE**

[75] Inventor: **Florian Seiffert**, Wiesbaden, Germany

[73] Assignee: **Robert Krups GmbH & Co. KG**, Solingen, Germany

[\*\*] Term: **14 Years**

[21] Appl. No.: **71,528**

[22] Filed: **May 30, 1997**

### [30] Foreign Application Priority Data

Dec. 2, 1996 [FR] France ..... 966826

[51] **LOC (6) Cl.** ..... **07-01**

[52] **U.S. Cl.** ..... **D7/309; D7/310; D7/311**

[58] **Field of Search** ..... **D7/300, 305, 309, D7/310, 311; 99/293, 295**

### [56] References Cited

#### U.S. PATENT DOCUMENTS

D. 337,688 7/1993 Diefenbach ..... D7/309

D. 338,590	8/1993	Dingelstad et al. ....	D7/309
D. 339,954	10/1993	Bunn et al. ....	D7/309
D. 345,882	4/1994	Maass ....	D7/309
D. 361,690	8/1995	Amie ....	D7/309
D. 390,742	2/1998	Sander ....	D7/309
5,503,060	4/1996	Morecroft et al. ....	99/295
5,628,239	5/1997	Wu ....	99/295 X

*Primary Examiner*—M. N. Pandozzi  
*Attorney, Agent, or Firm*—Darby & Darby

### [57] CLAIM

The ornamental design for an espresso machine, as shown.

### DESCRIPTION

FIG. 1 is a perspective view of an espresso machine; FIG. 2 is a front view of an espresso machine; FIG. 3 is a right side view of an espresso machine; FIG. 4 is a rear view of an espresso machine; FIG. 5 is a left side view of an espresso machine; FIG. 6 is a top view of an espresso machine; and, FIG. 7 is a bottom view of an espresso machine.

**1 Claim, 4 Drawing Sheets**

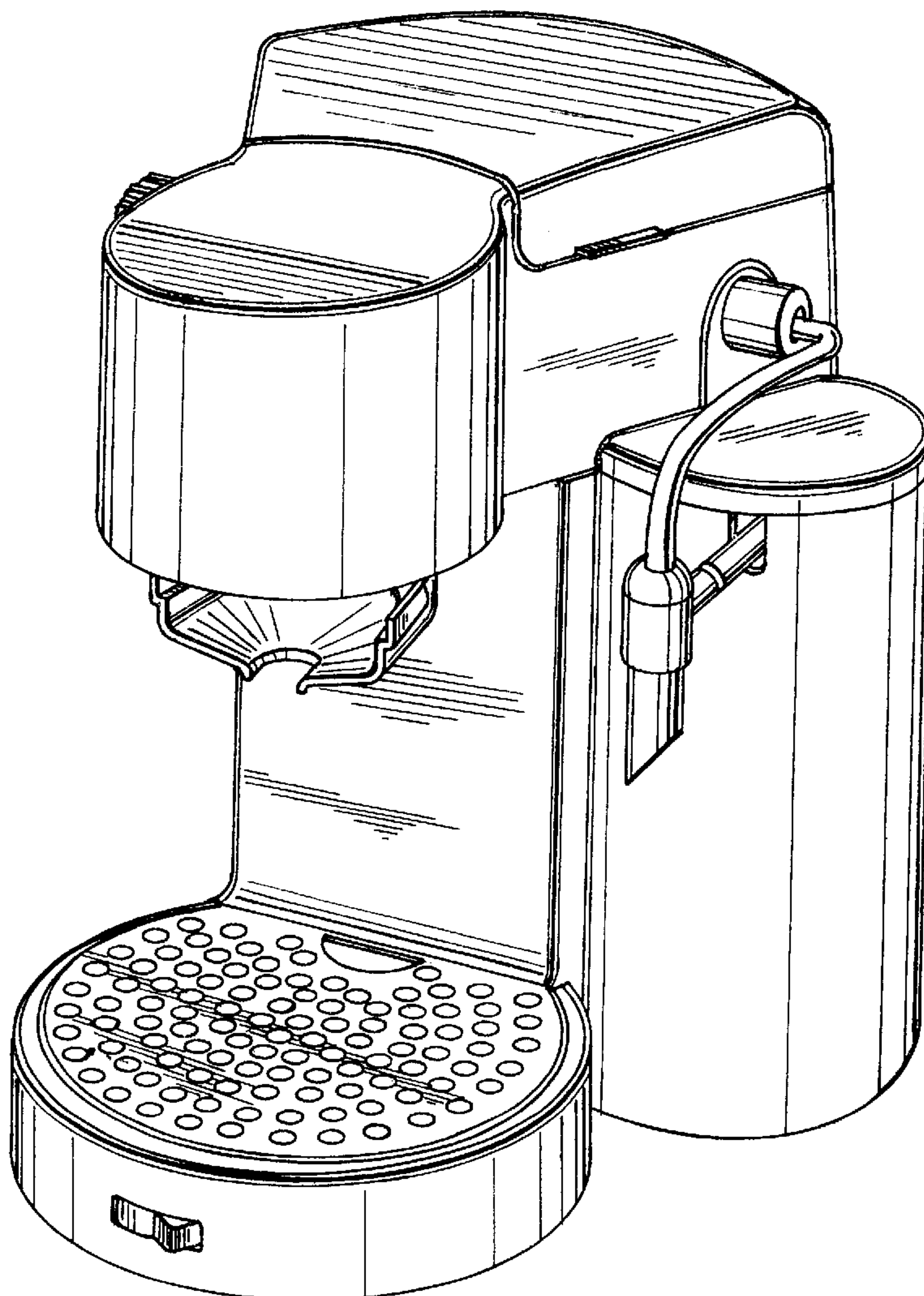


FIG. 1

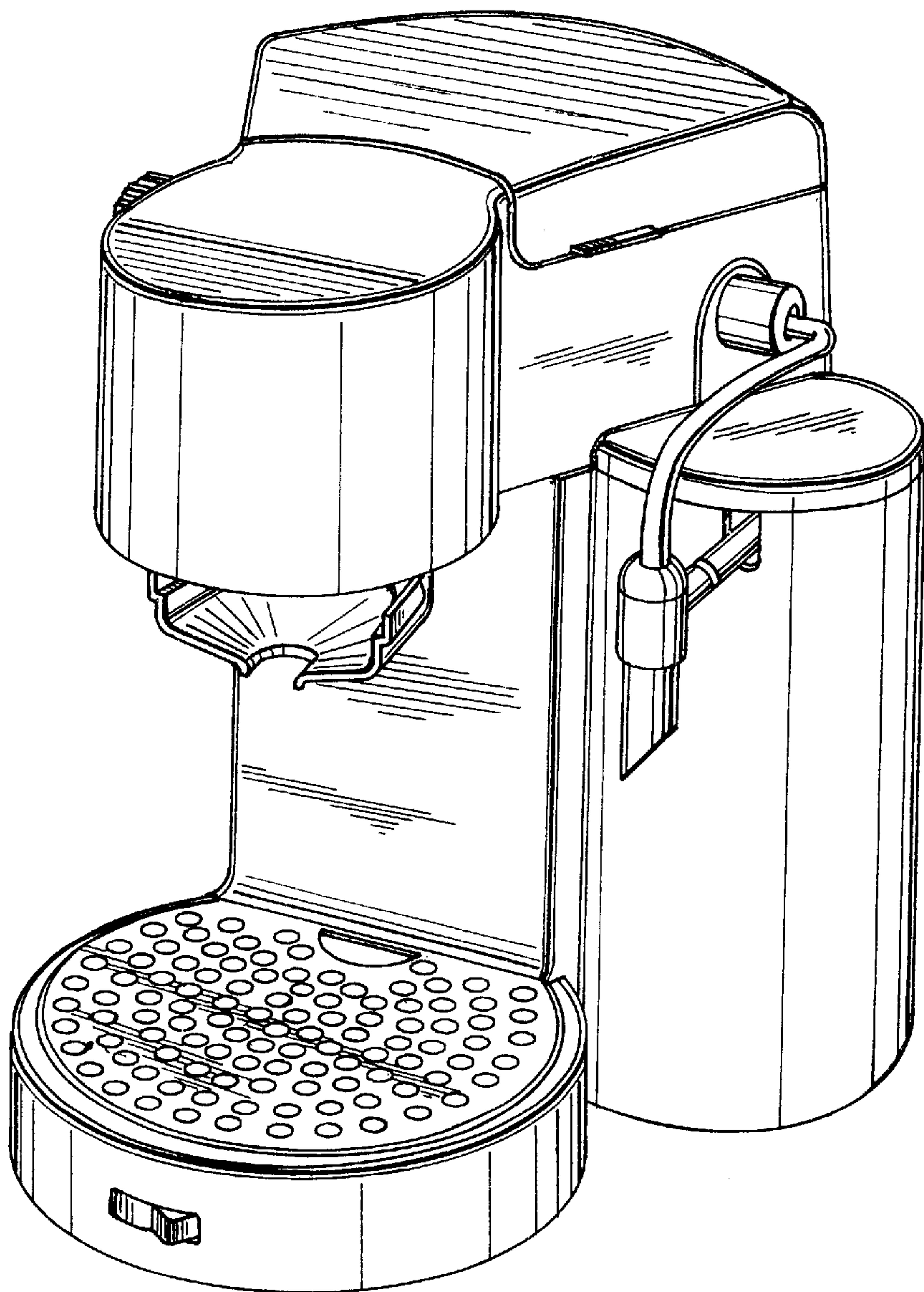


FIG. 3

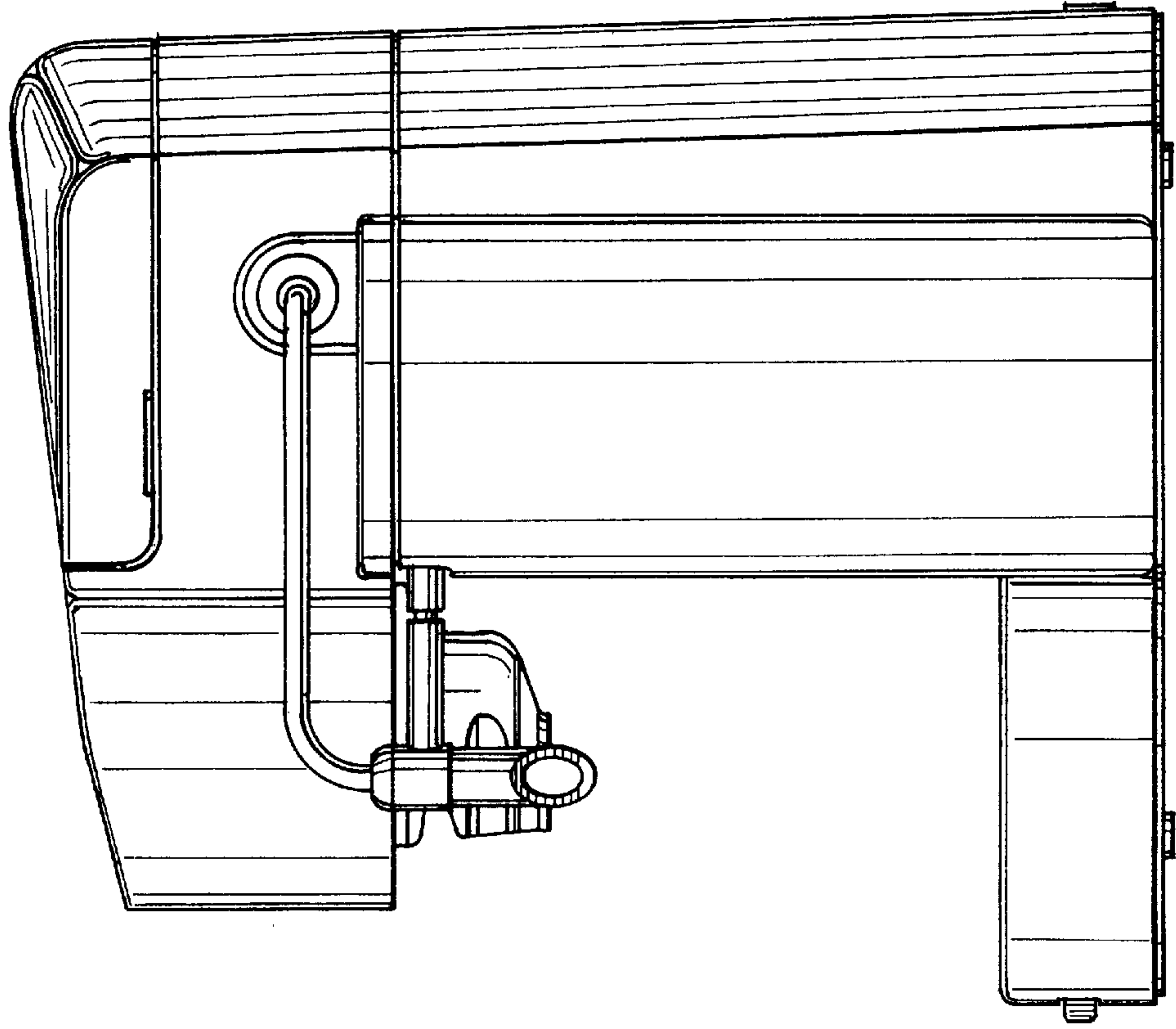


FIG. 2

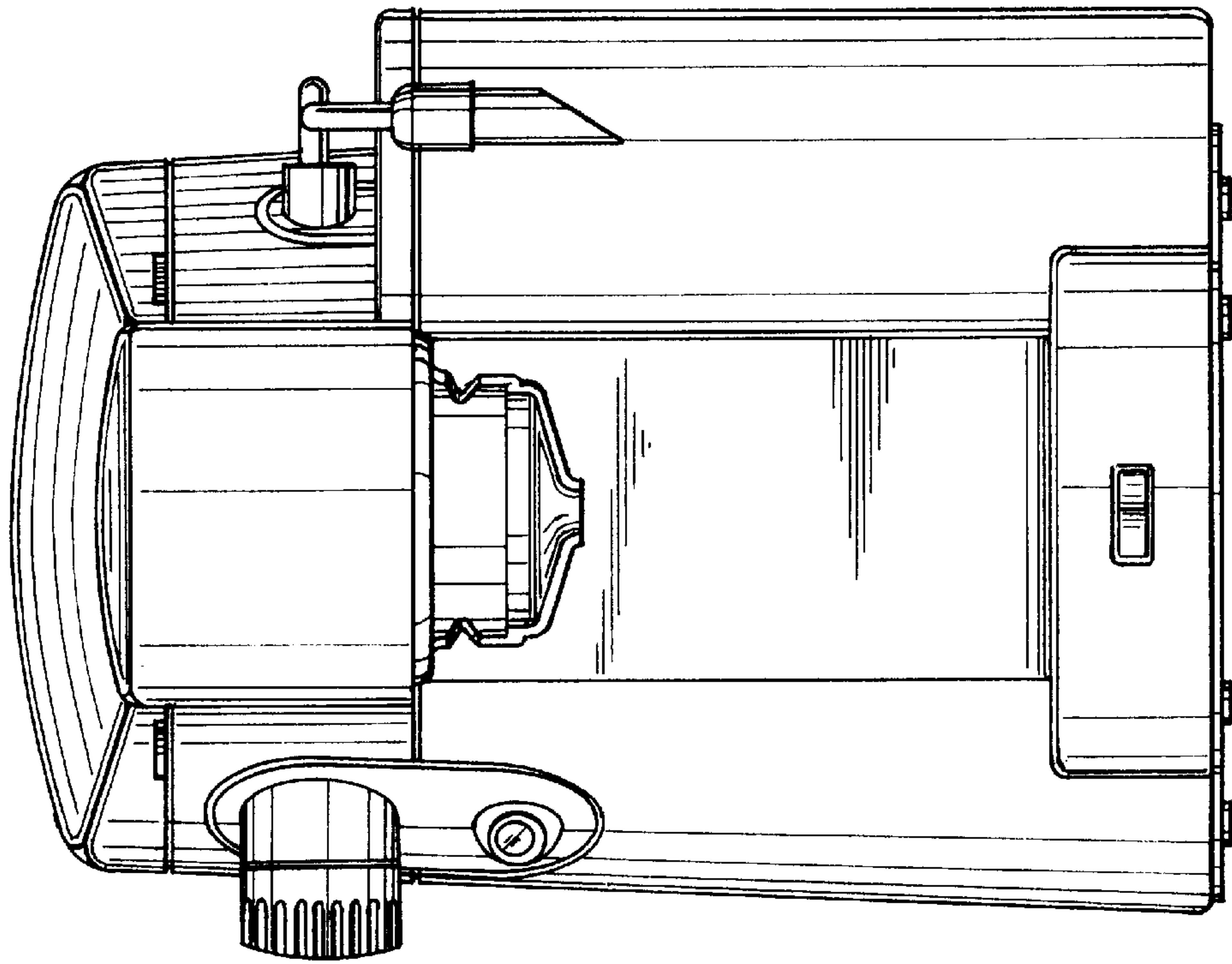


FIG. 5

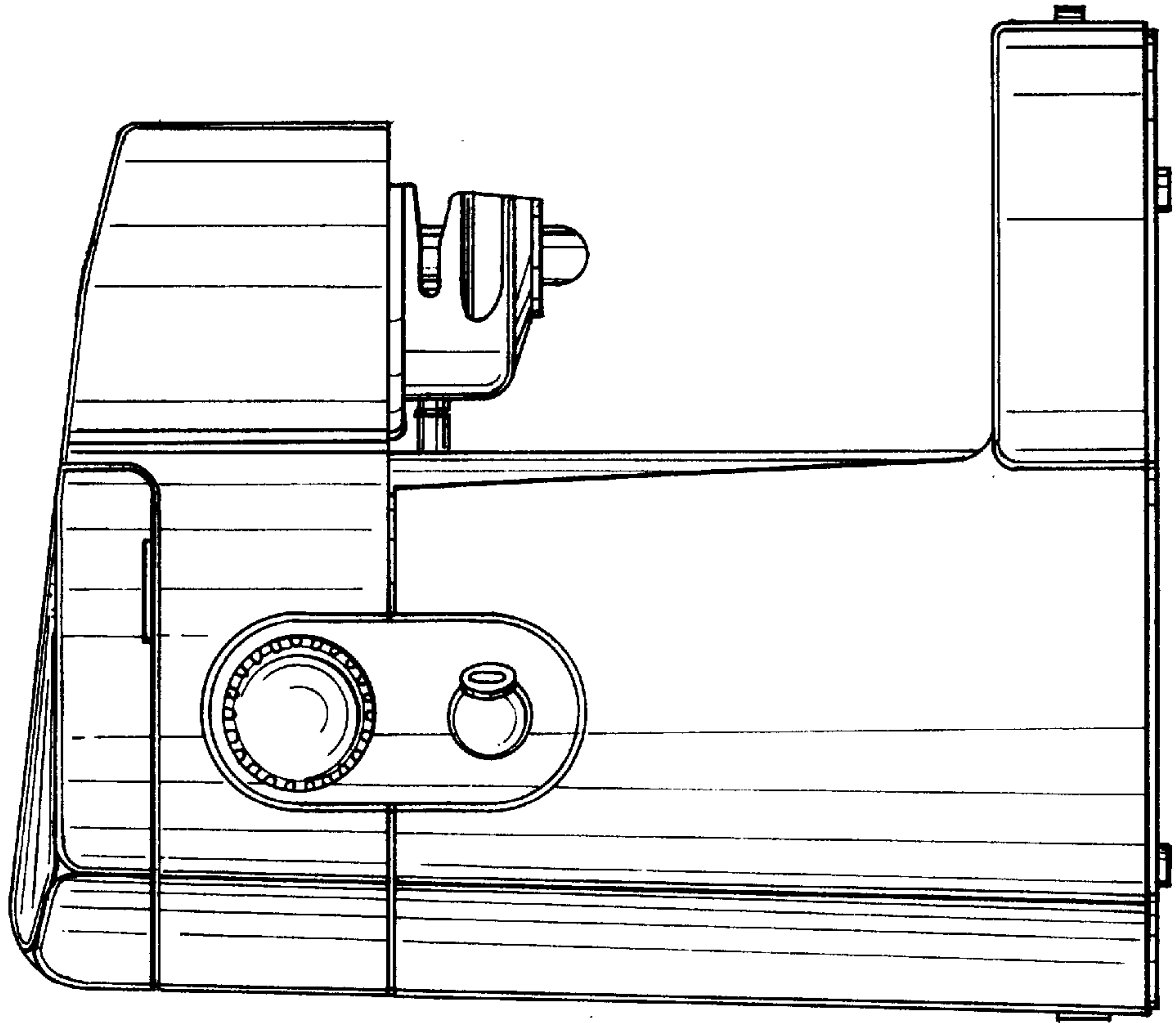
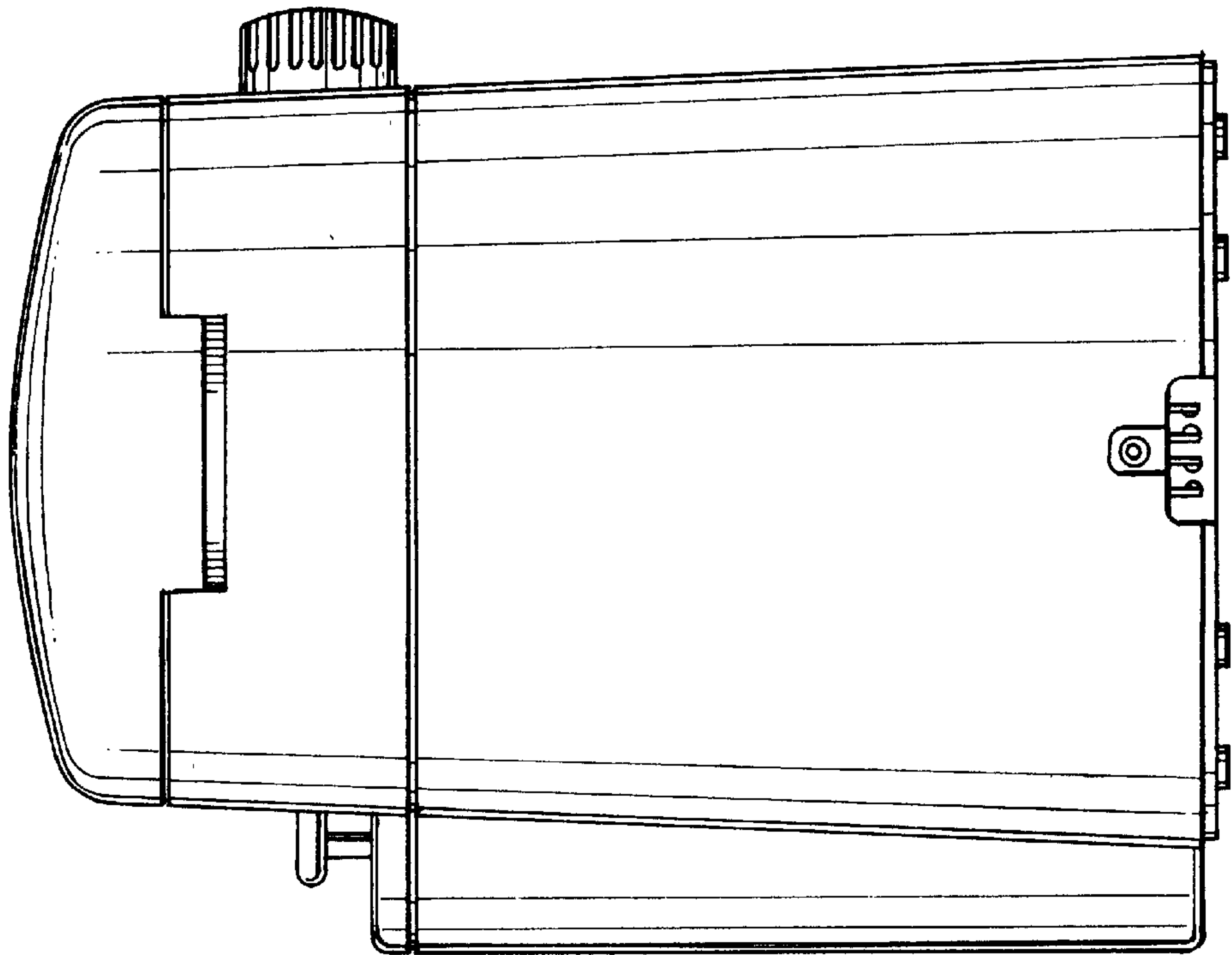


FIG. 4





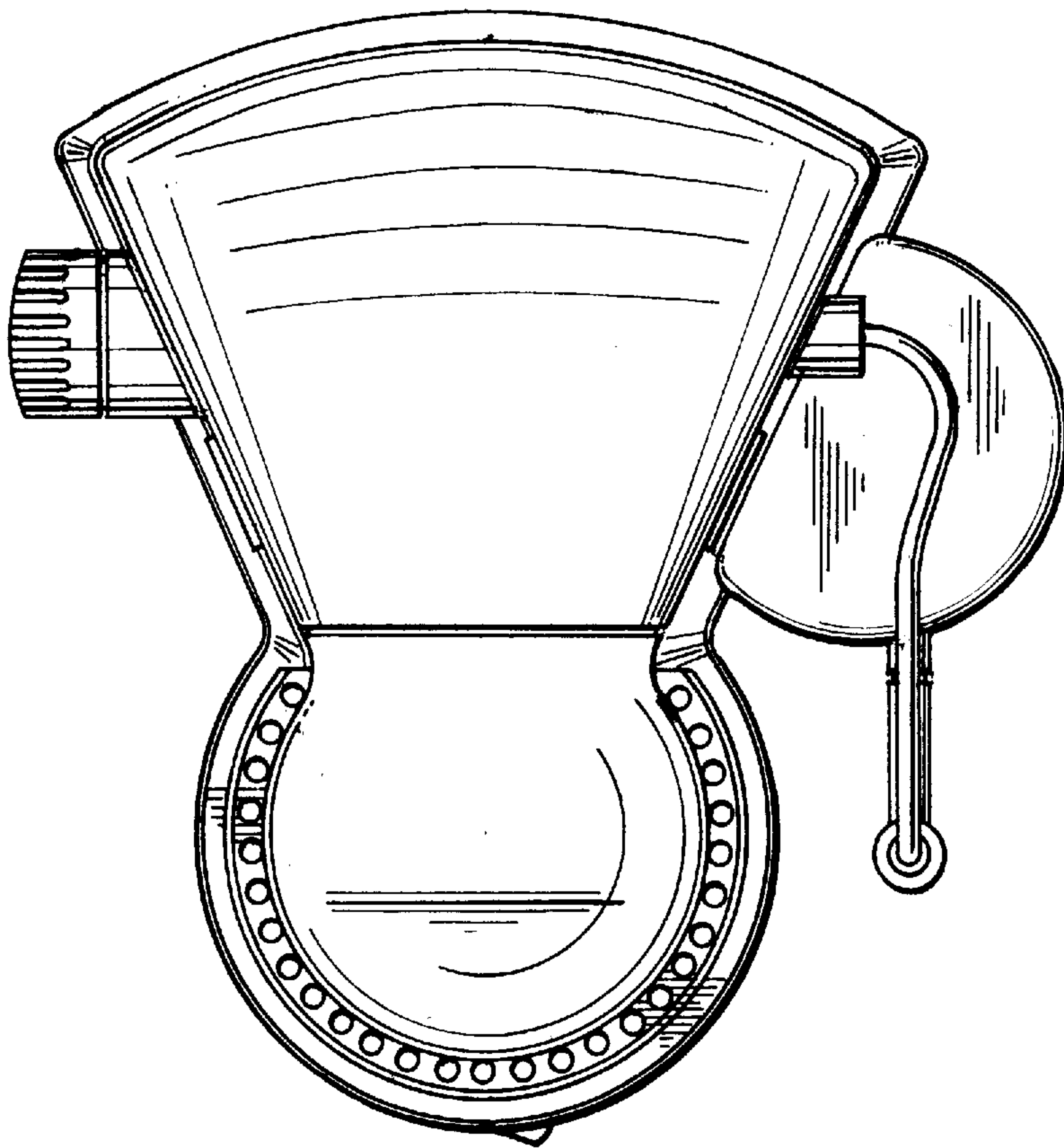


FIG. 6

FIG. 7

