



US00D403546S

United States Patent [19] Moon

[11] **Patent Number: Des. 403,546**

[45] **Date of Patent: **Jan. 5, 1999**

[54] **SHELF**

[75] Inventor: **In-Ho Moon**, Seoul, Rep. of Korea

[73] Assignee: **American Standard Inc.**, Piscataway, N.J.

[**] Term: **14 Years**

[21] Appl. No.: **57,426**

[22] Filed: **Jul. 24, 1996**

Related U.S. Application Data

[62] Division of Ser. No. 44,045, Sep. 15, 1995, which is a division of Ser. No. 18,908, Feb. 17, 1994, Pat. No. Des. 364,527.

[30] Foreign Application Priority Data

Aug. 18, 1993	[KR]	Rep. of Korea	1993-16706
Aug. 18, 1993	[KR]	Rep. of Korea	1993-16707
Aug. 18, 1993	[KR]	Rep. of Korea	1993-16709
Aug. 18, 1993	[KR]	Rep. of Korea	1993-16715

[51] **LOC (6) Cl.** **08-08**

[52] **U.S. Cl.** **D6/574**

[58] **Field of Search** D6/553, 567, 574, D6/528, 531, 534, 535; 211/13, 14, 34, 35, 63, 65-66, 70.5, 70.6, 70.7, 71, 74-75, 86-89, 90, 126, 134

[56] References Cited

U.S. PATENT DOCUMENTS

D. 274,023	5/1984	Boroch	D6/574
D. 277,149	1/1985	Hind	D6/574
D. 332,718	1/1993	Wolfe, III	D6/574
D. 352,198	11/1994	Wright et al.	D6/574
1,226,231	5/1917	Mack	211/88
2,911,108	11/1959	Nield	211/90

Primary Examiner—Brian N. Vinson

[57] CLAIM

The ornamental designs for a shelf, as shown and described.

DESCRIPTION

FIG. 1 is a perspective view of a shelf showing my new design;
 FIG. 2 is a front view thereof;
 FIG. 3 is a rear view thereof;
 FIG. 4 is a right side view thereof, the left side view being a mirror image of the right side;
 FIG. 5 is a top plan view thereof; and,
 FIG. 6 is a bottom plan view thereof.

1 Claim, 4 Drawing Sheets

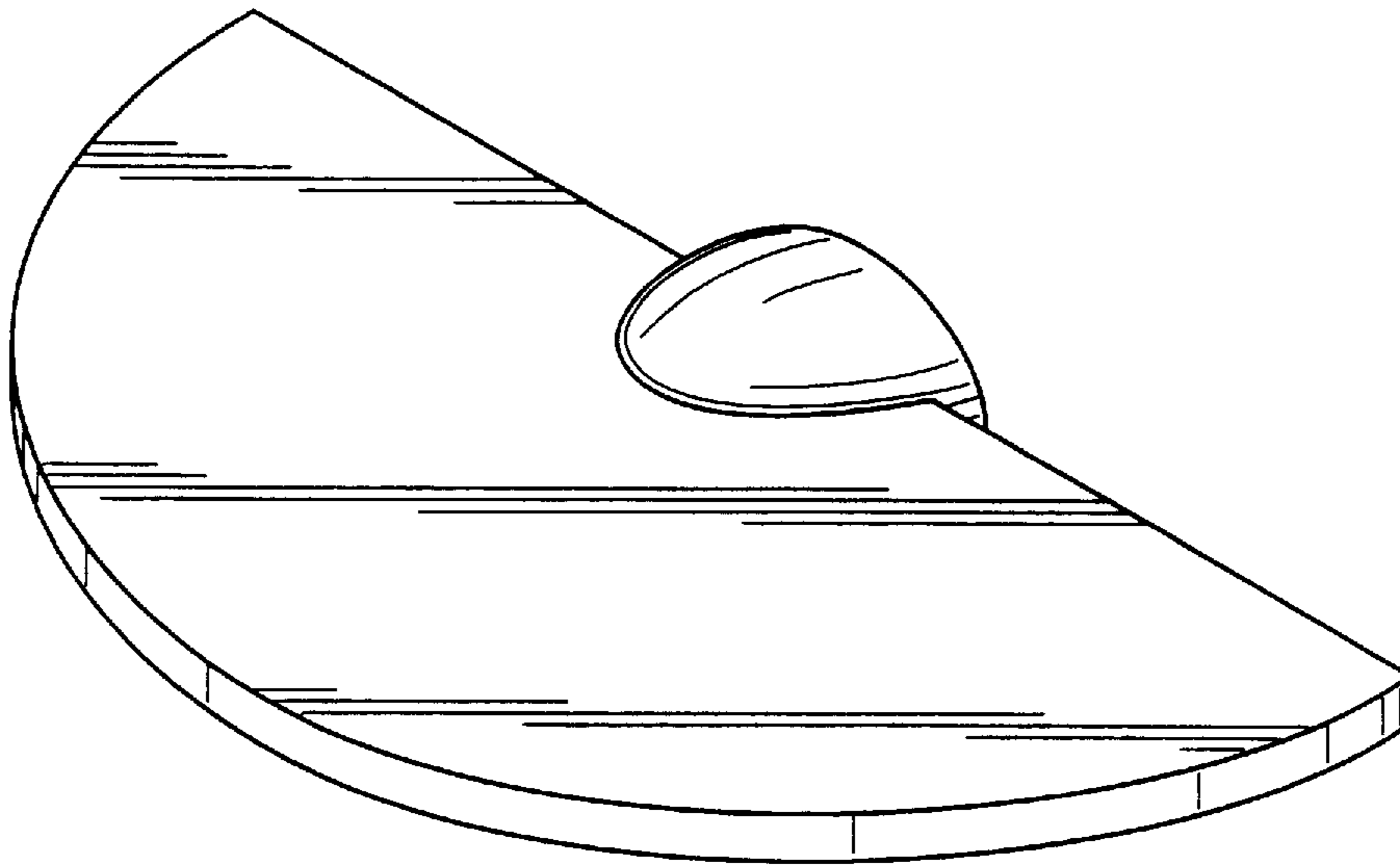


FIG. 1

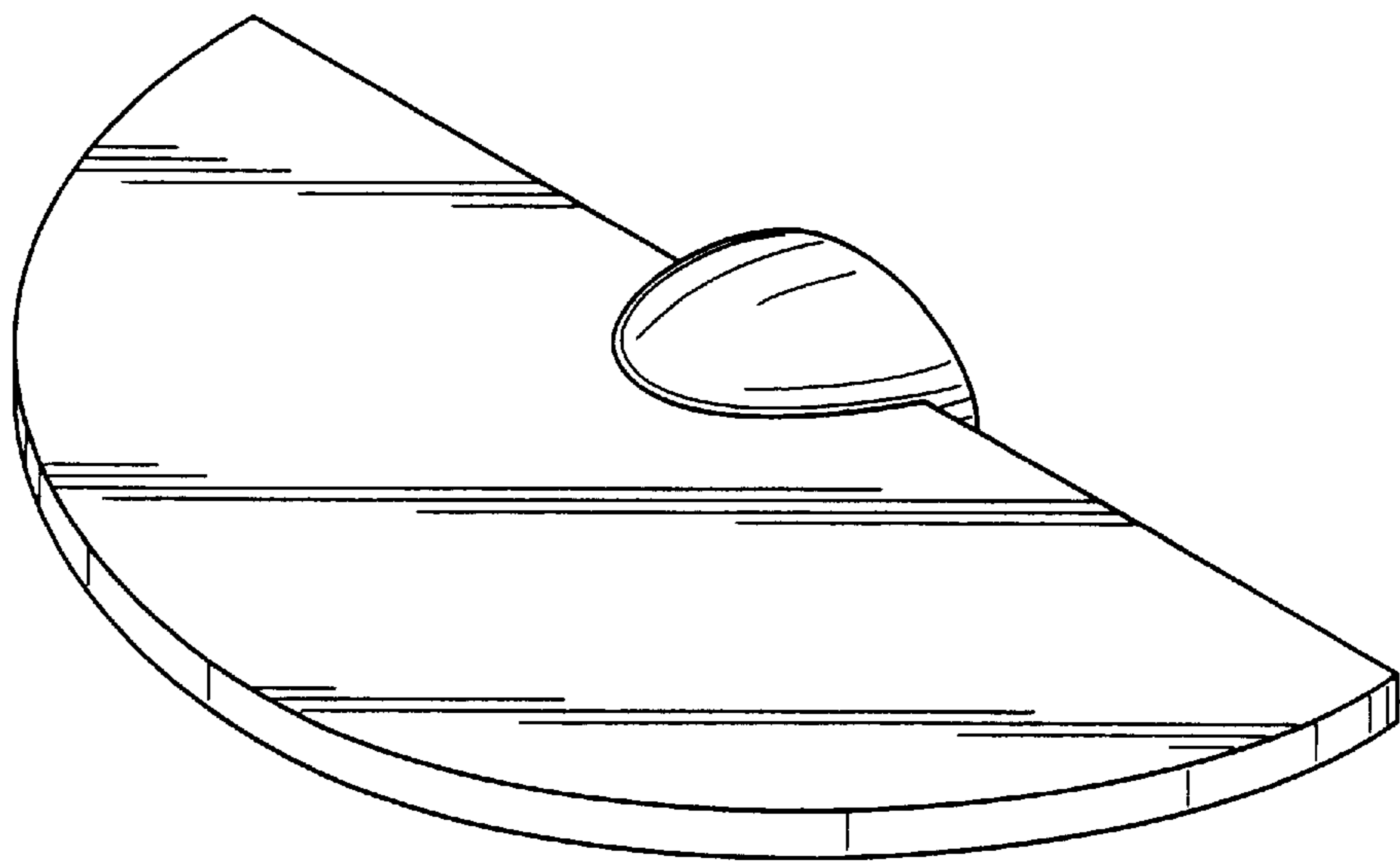


FIG. 2

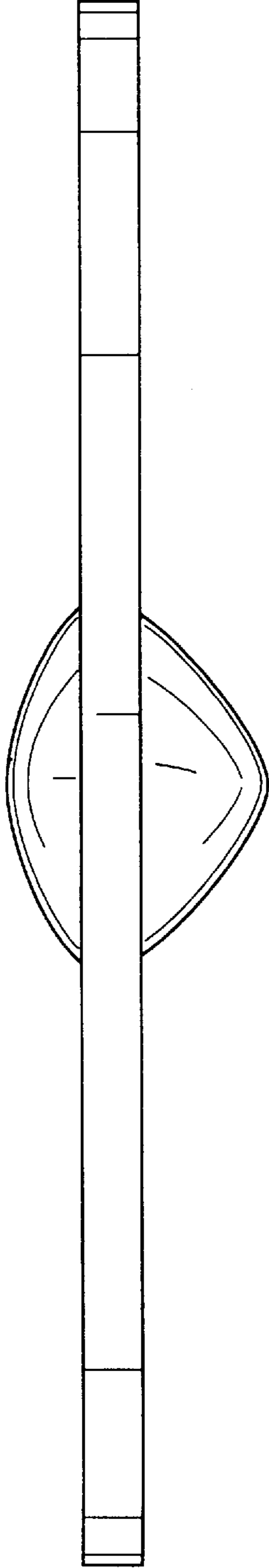


FIG. 3

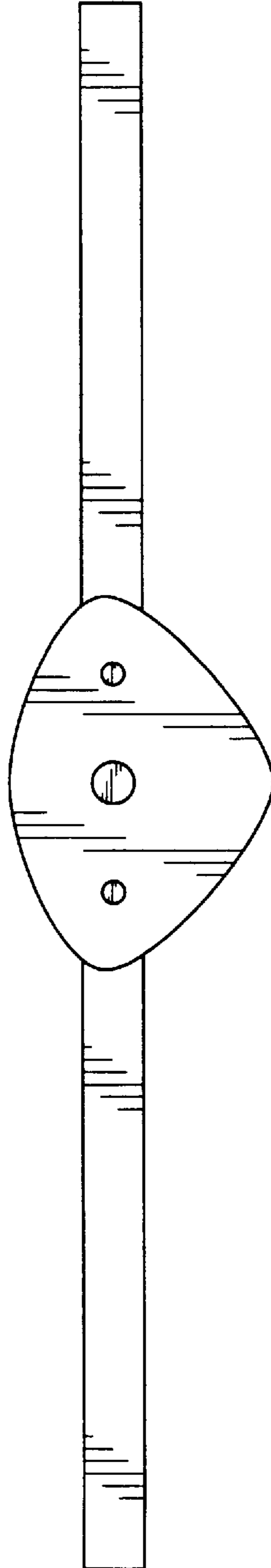
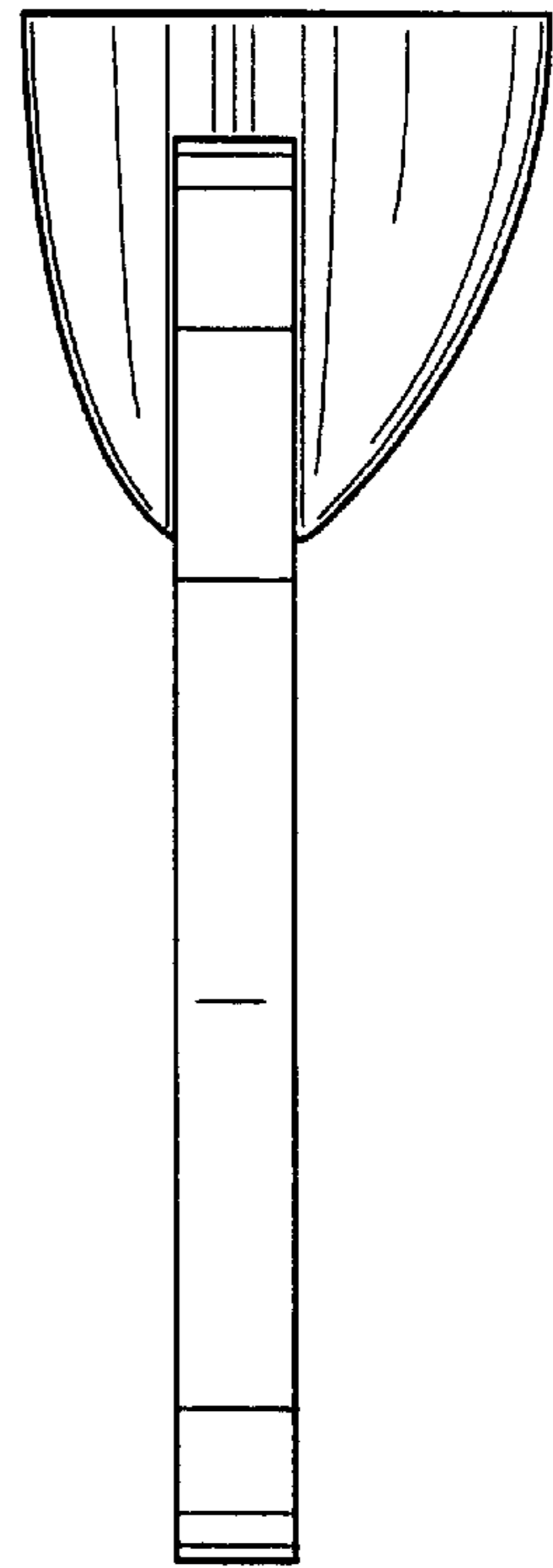


FIG. 4



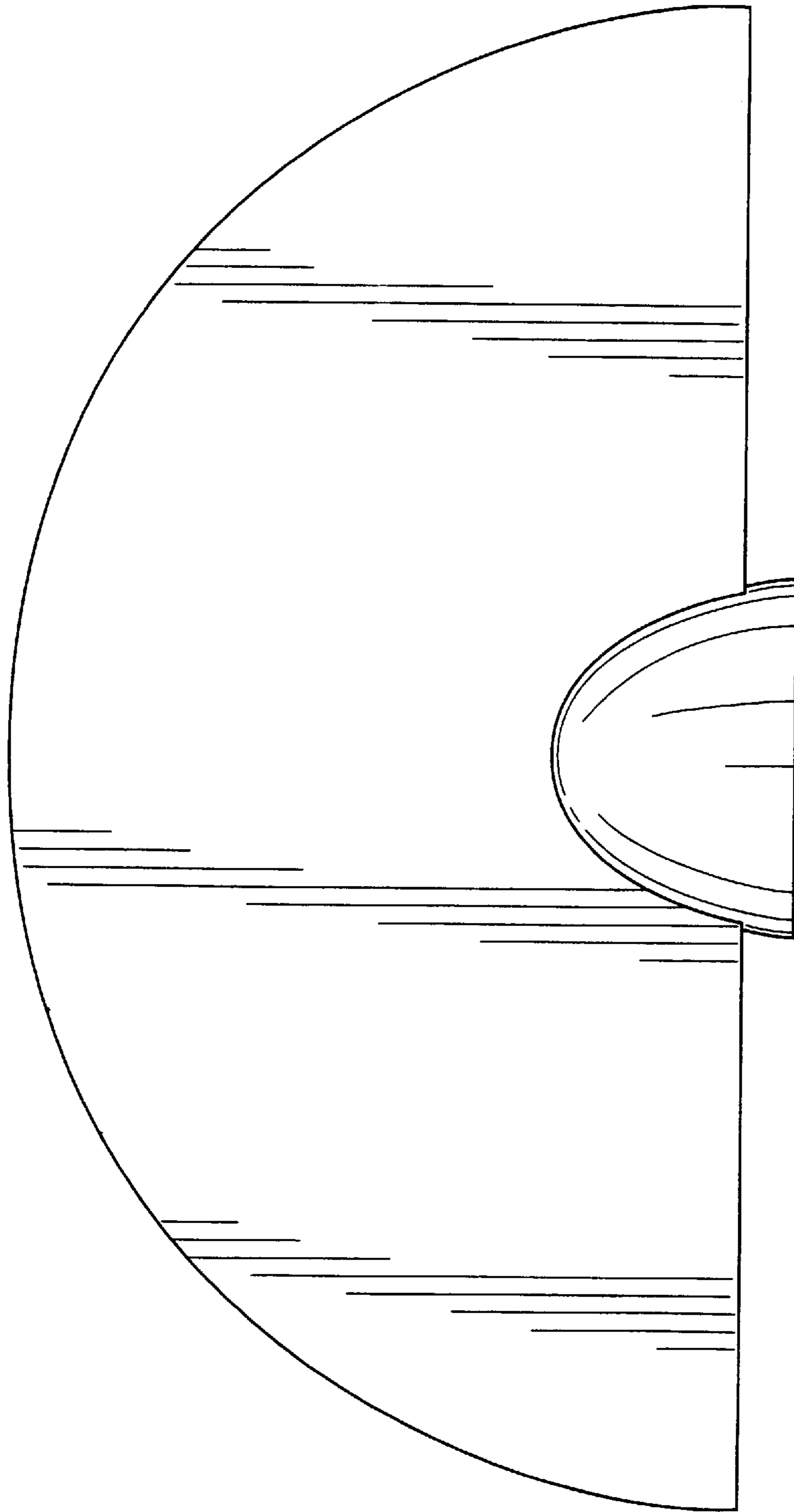


FIG. 5

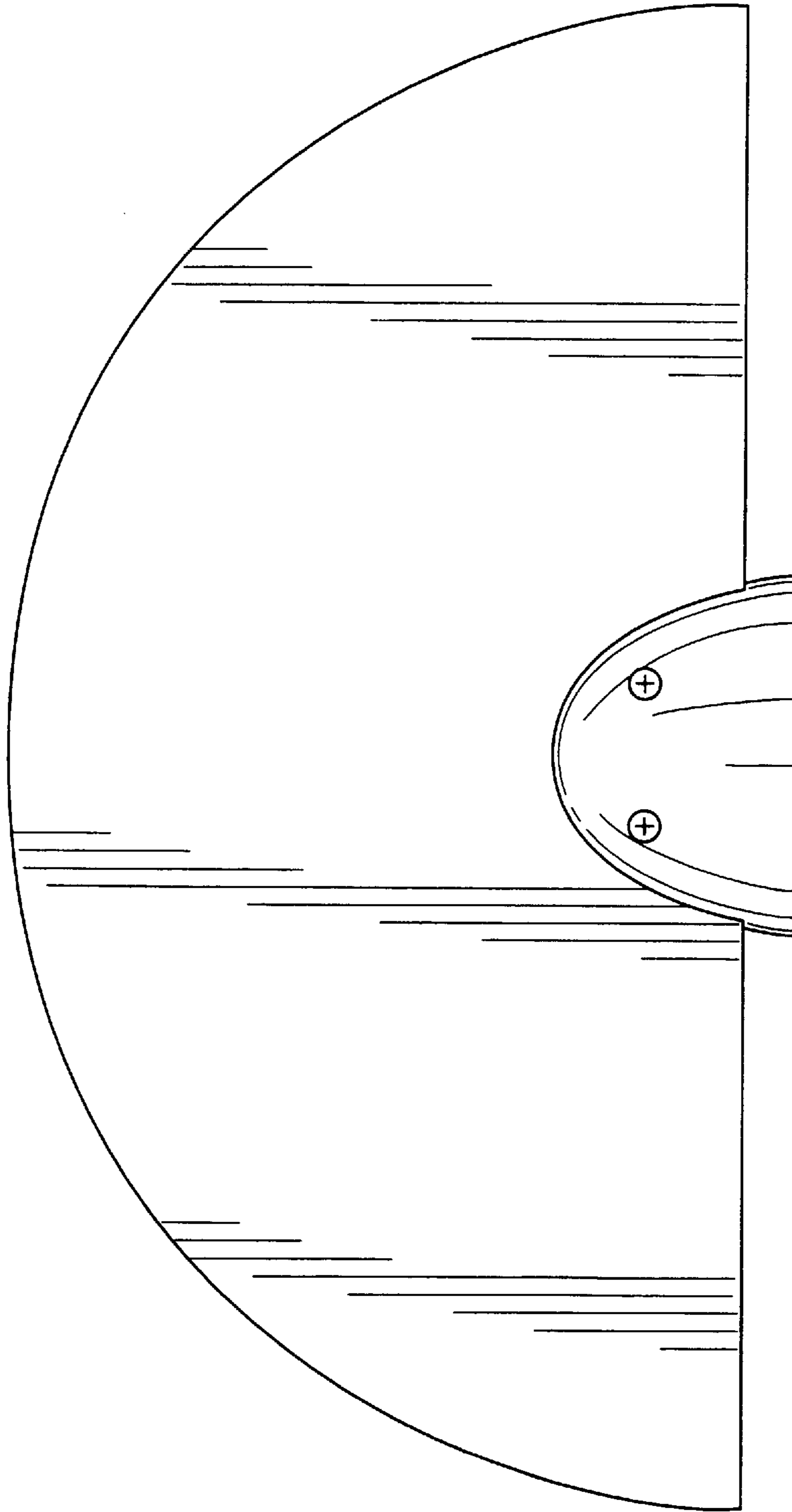


FIG. 6