



US00D403543S

# United States Patent [19]

Grasso et al.

[11] Patent Number: Des. 403,543

[45] Date of Patent: \*\*Jan. 5, 1999

[54] PAPER ROLL TOWEL SUPPORT PLATE FOR SUPPORTING A PAPER TOWEL ON END IN A CENTER PULL PAPER TOWEL DISPENSER

D. 277,911 3/1985 Lunden .  
D. 296,173 6/1988 Iwarsson .  
D. 339,014 9/1993 Giugiaro .  
5,141,171 8/1992 Yang .

[75] Inventors: Kamala J. Grasso, Wayland; Robert D. Schaefer, Wakefield; Ronald Vish, Somerville, all of Mass.; John R. Moody, Neenah, Wis.

Primary Examiner—Brian N. Vinson

[73] Assignee: Fort James Corporation, Richmond, Va.

### [57] CLAIM

The ornamental design for a paper roll towel support plate for supporting a paper towel on end in a center pull paper towel dispenser, as shown and described.

[\*\*] Term: 14 Years

### DESCRIPTION

[21] Appl. No.: 77,421

FIG. 1 is a front perspective view of paper roll towel support plate for supporting a paper towel on end in a center pull paper towel dispenser showing our design;

[22] Filed: Oct. 2, 1997

FIG. 2 is a front elevation view thereof;

### Related U.S. Application Data

[63] Continuation of Ser. No. 61,124, Oct. 16, 1996, abandoned.

FIG. 3 is a right side view thereof; the left side view being a mirror image;

[51] LOC (6) Cl. .... 07-07

[52] U.S. Cl. .... D6/518

FIG. 4 is a rear elevation view thereof;

[58] Field of Search ..... D6/518-523; 206/409, 206/233; 221/30, 31, 37, 33

FIG. 5 is a top plan view thereof; and,

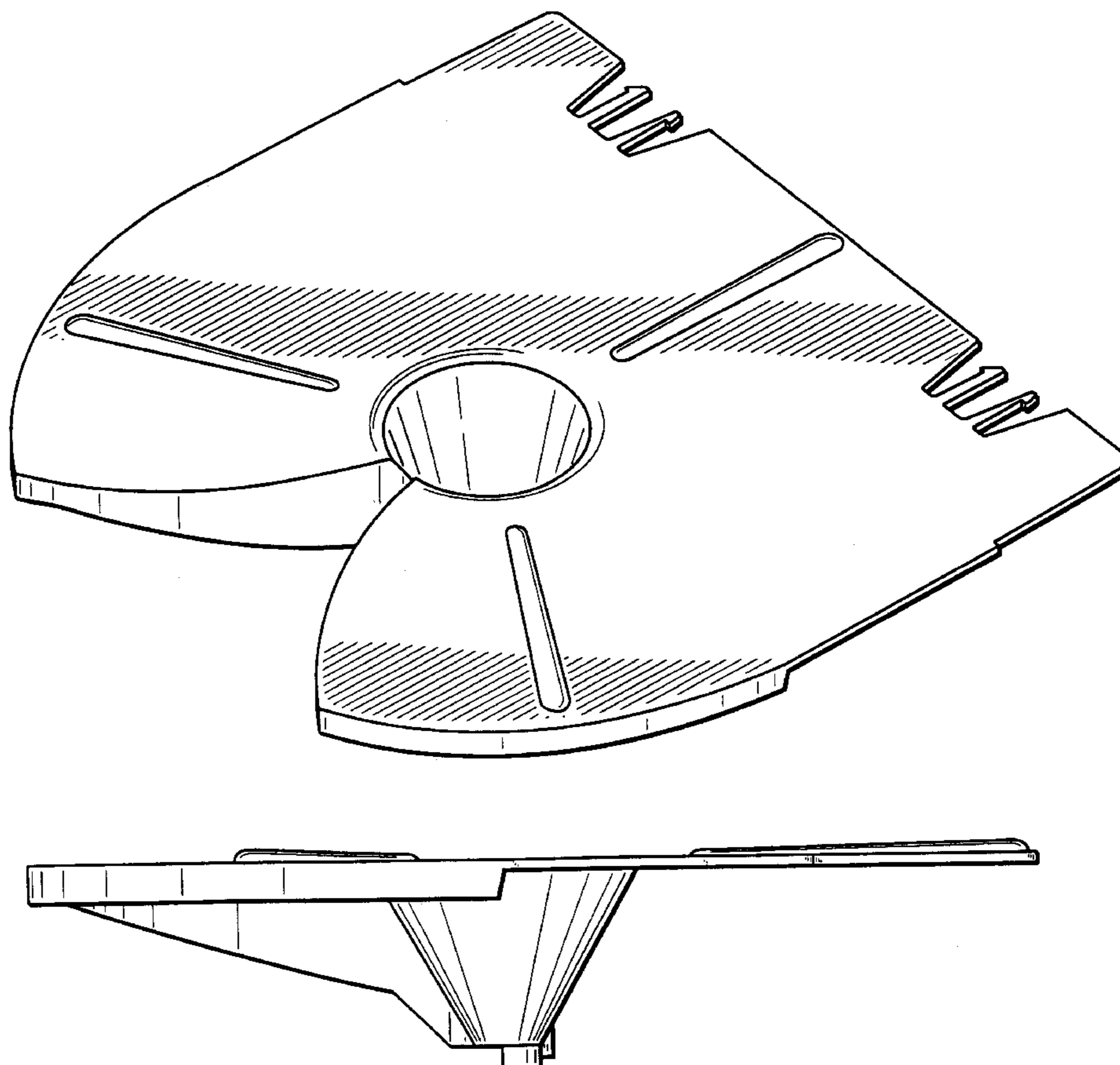
FIG. 6 is a bottom plan view thereof.

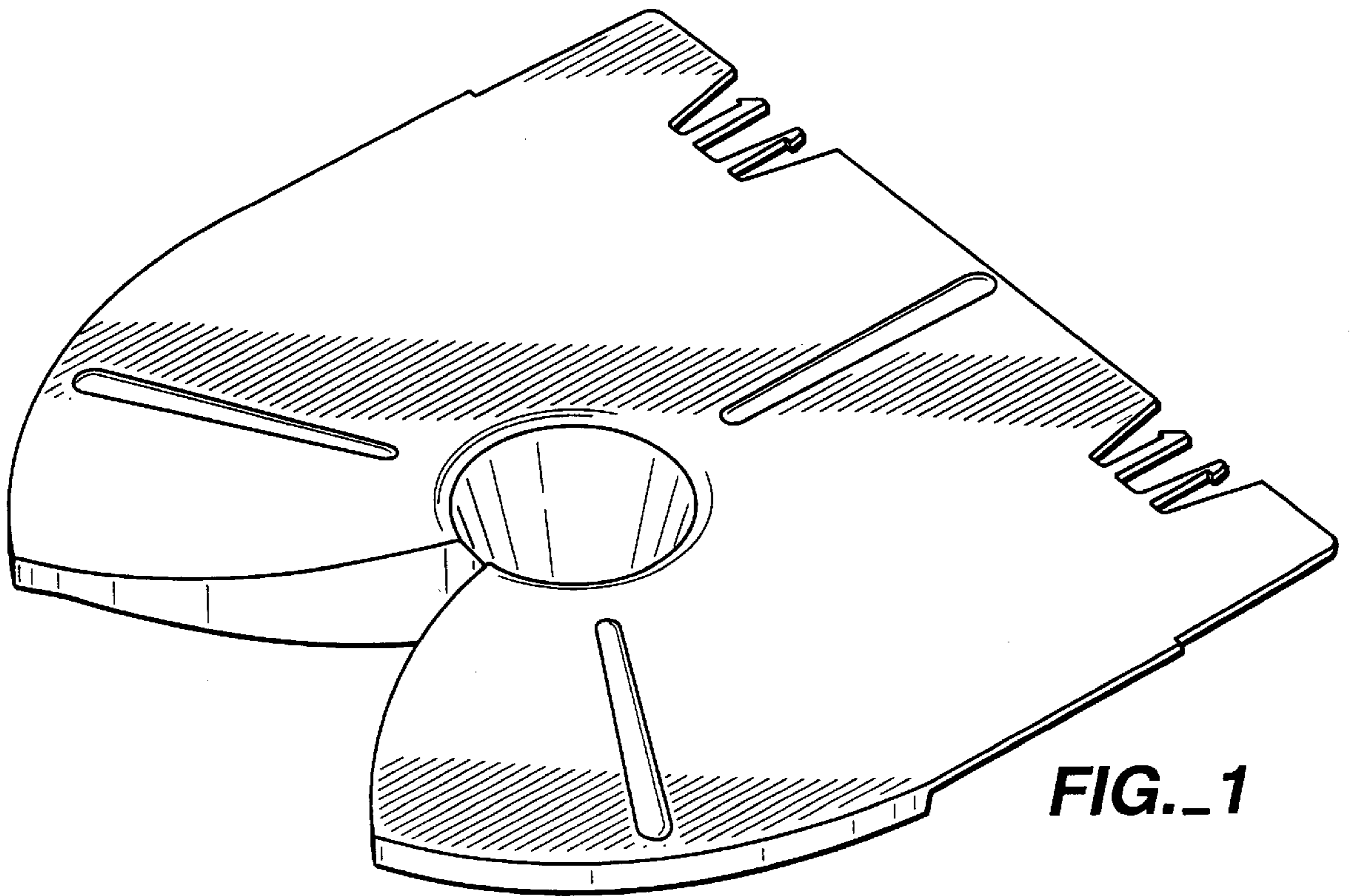
### [56] References Cited

#### U.S. PATENT DOCUMENTS

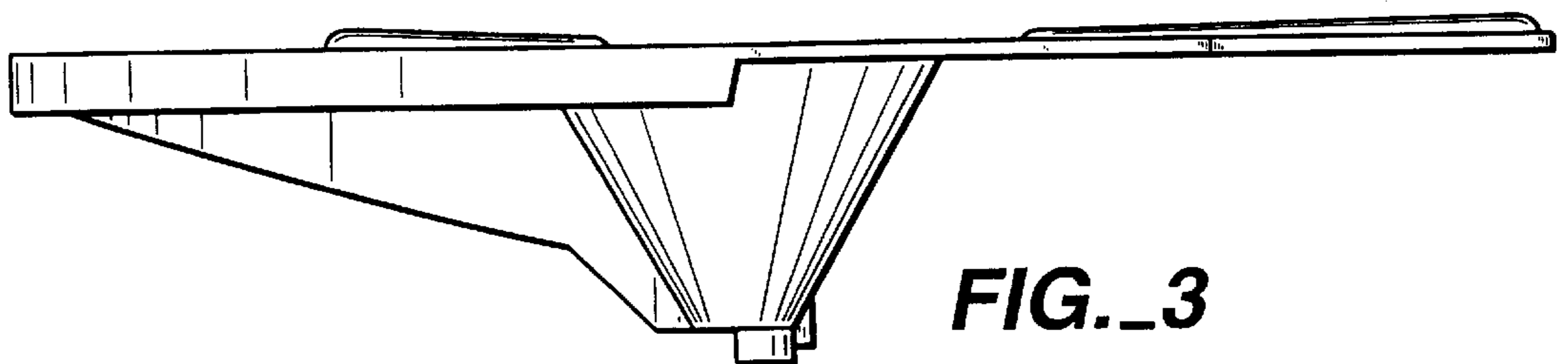
D. 277,426 2/1985 Sjostedt et al. .

1 Claim, 3 Drawing Sheets

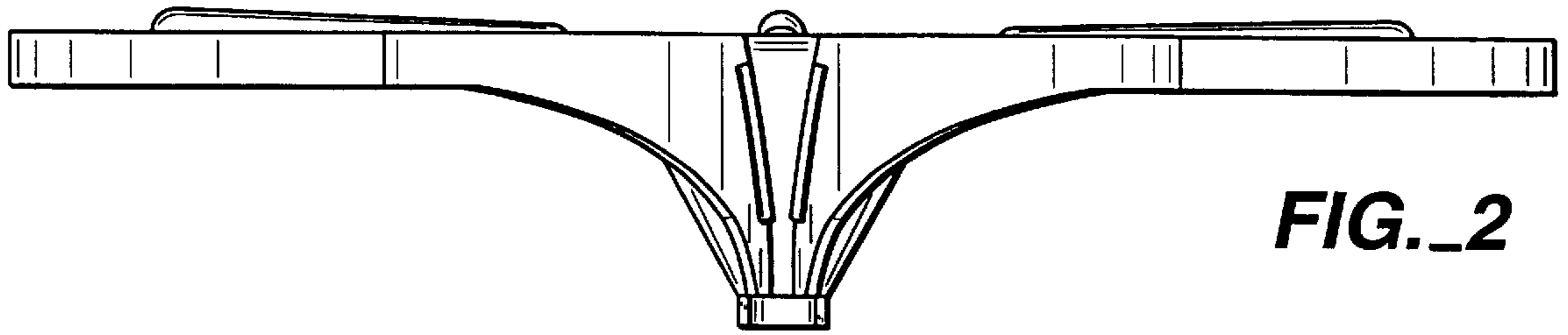




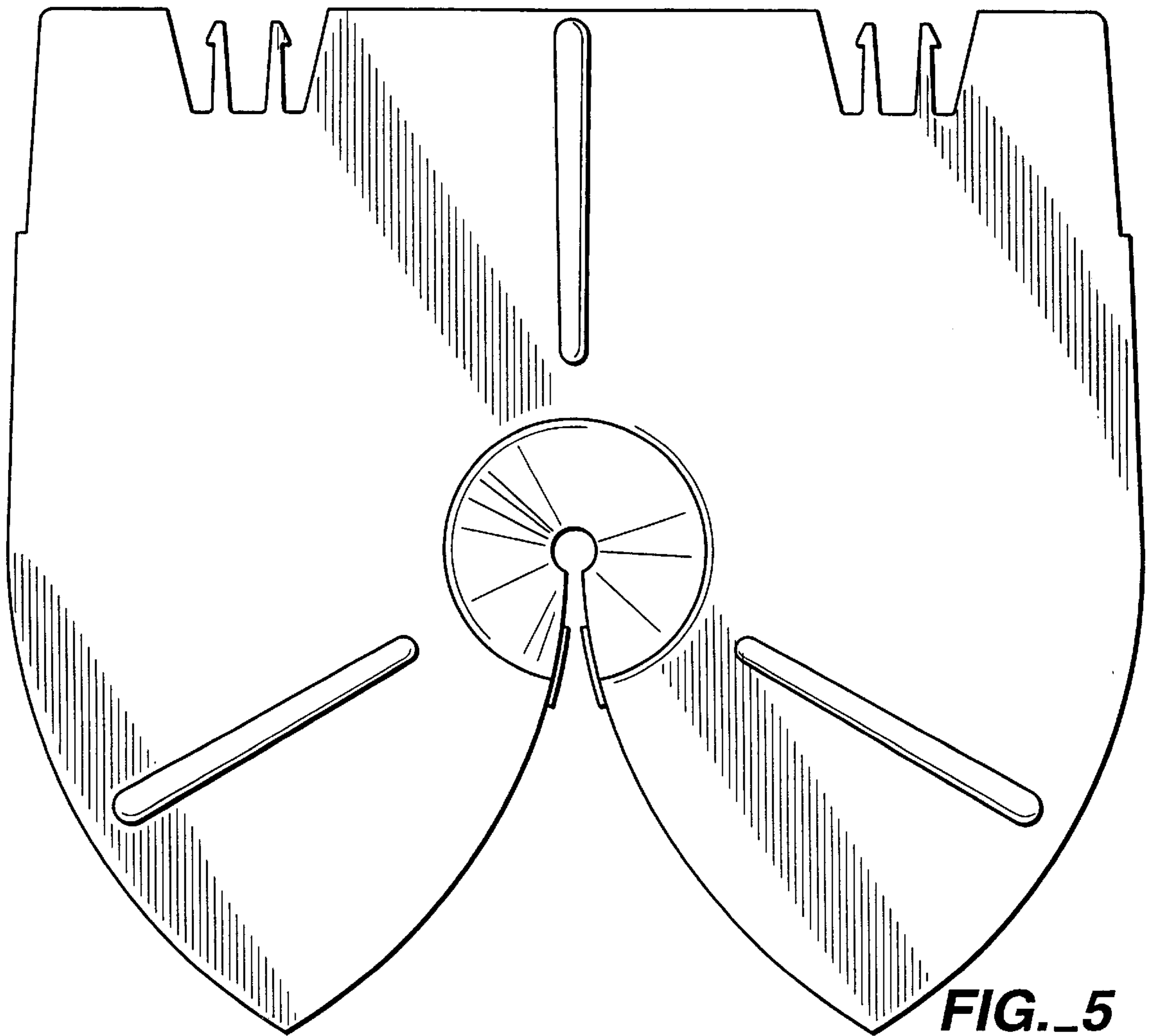
**FIG.\_1**



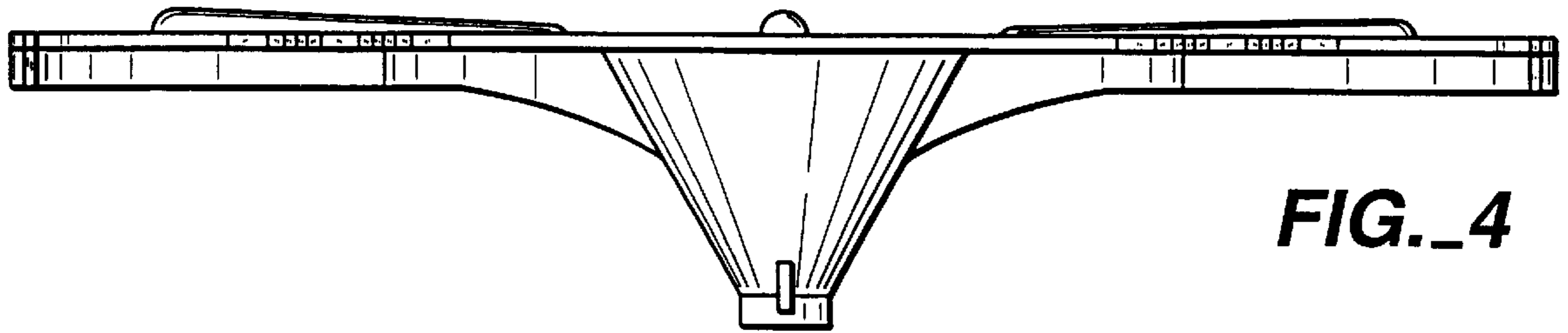
**FIG.\_3**



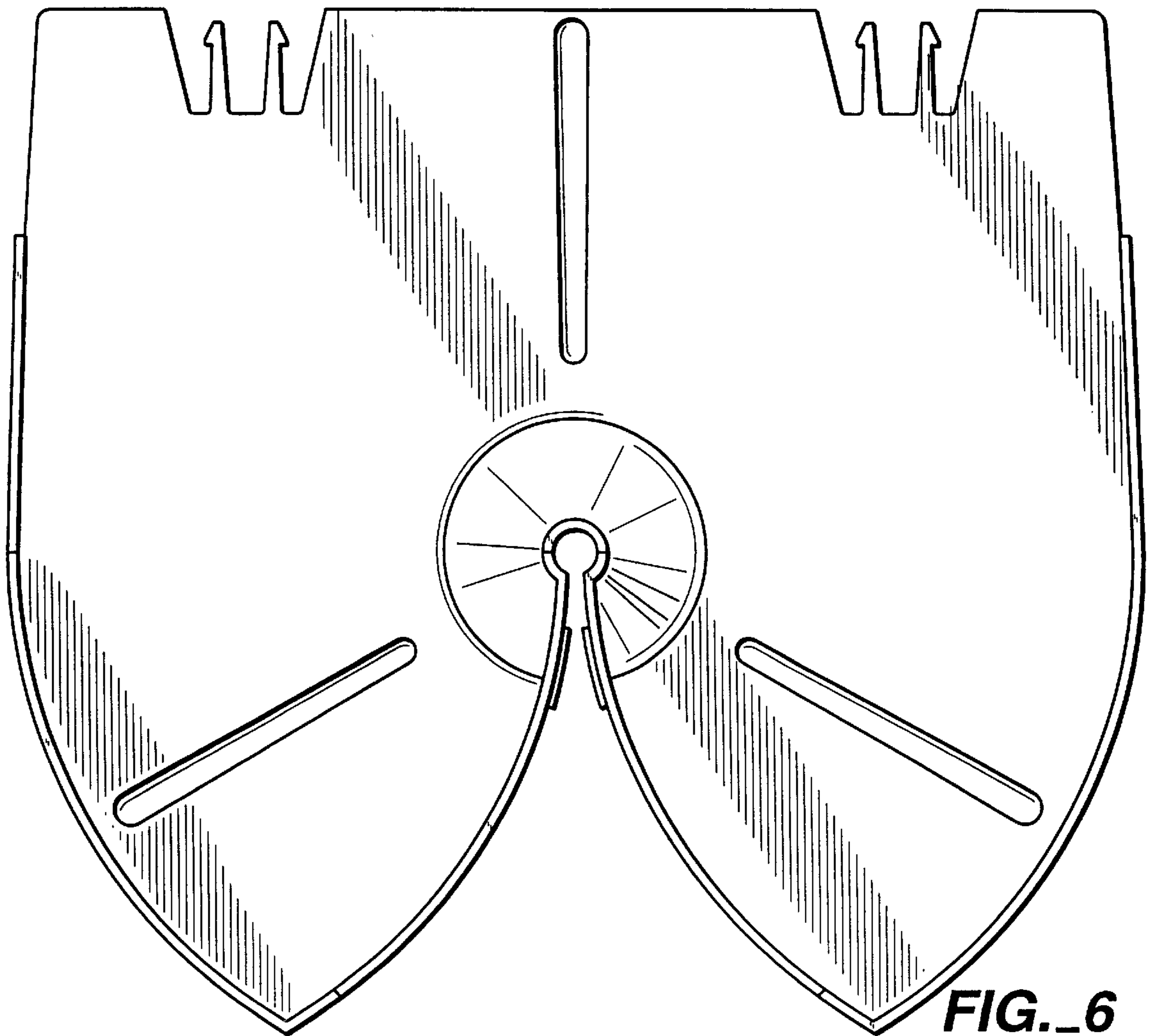
**FIG.\_2**



**FIG.\_5**



**FIG.\_4**



**FIG.\_6**