



US00D403542S

United States Patent [19]
Feldstein

[11] **Patent Number: Des. 403,542**

[45] **Date of Patent: **Jan. 5, 1999**

[54] **CRIB SIDE PANEL**

3,427,666 2/1969 Saxe 5/2.1
3,795,017 3/1974 Saxe 5/2.1
5,081,722 1/1992 Yu 5/2.1

[75] Inventor: **David Feldstein**, Vancouver, Canada

[73] Assignee: **Fun Time Designs, Inc.**, Vancouver, Canada

Primary Examiner—Janice E. Seeger
Attorney, Agent, or Firm—Fulwider Patton Lee & Utecht, LLP

[**] Term: **14 Years**

[21] Appl. No.: **82,411**

[57] **CLAIM**

[22] Filed: **Dec. 15, 1997**

The ornamental design for a crib side panel, as shown and described.

[30] **Foreign Application Priority Data**

DESCRIPTION

Nov. 5, 1997 [CA] Canada 1997-2856

[51] **LOC (6) Cl.** **06-01**

[52] **U.S. Cl.** **D6/503; D6/390**

[58] **Field of Search** D6/382-384, 388-395,
D6/492, 503; 5/279.1, 280, 93.1, 97, 99.1,
100, 286, 907; D25/53

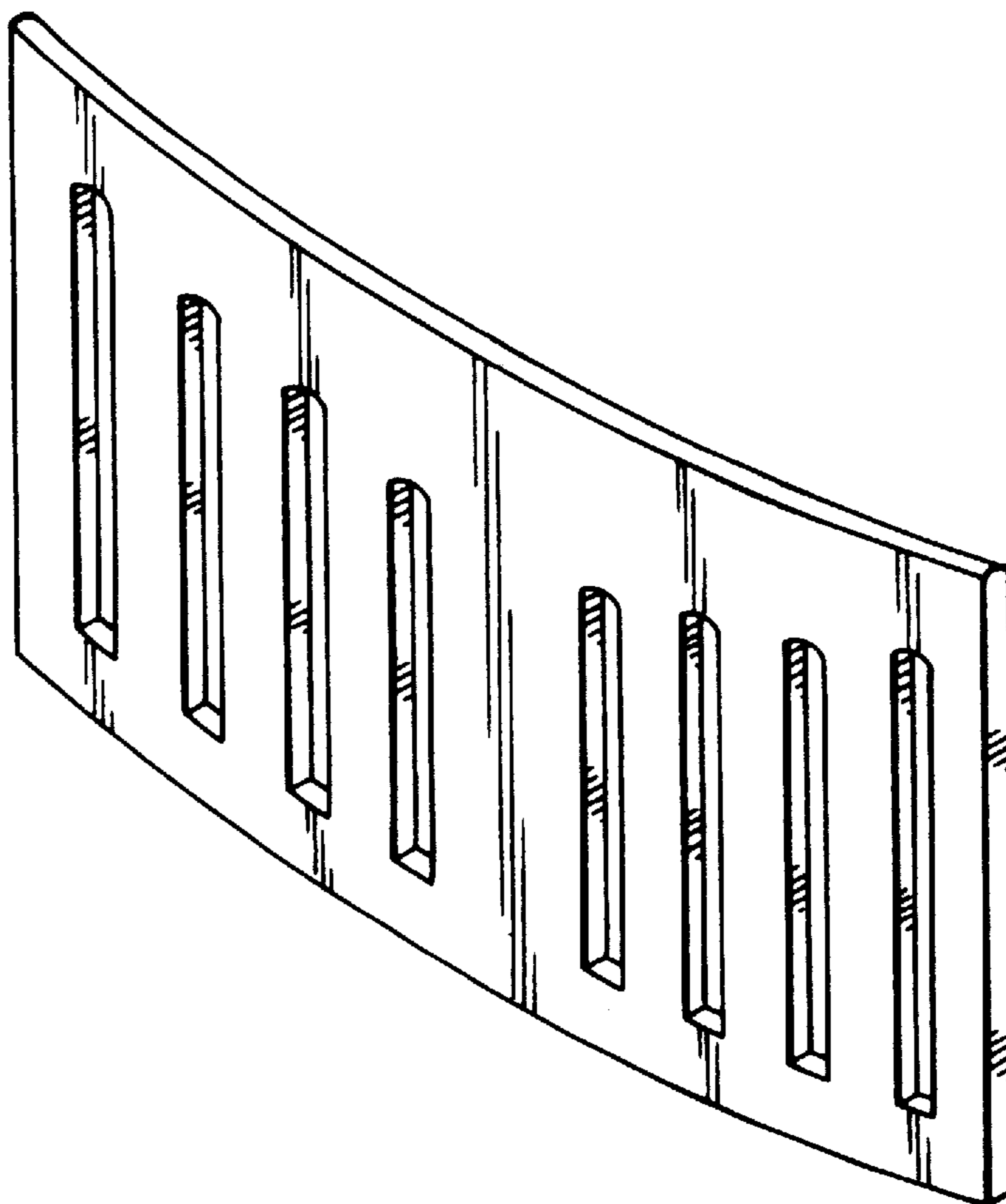
FIG. 1 is a front perspective view of the crib side panel;
FIG. 2 is a top plan view;
FIG. 3 is a front elevation view the rear being identical thereto;
FIG. 4 is a bottom plan view; and,
FIG. 5 is a right side view the left side being identical thereto.

[56] **References Cited**

U.S. PATENT DOCUMENTS

D. 300,997 5/1989 Simpkins et al. D6/503

1 Claim, 1 Drawing Sheet



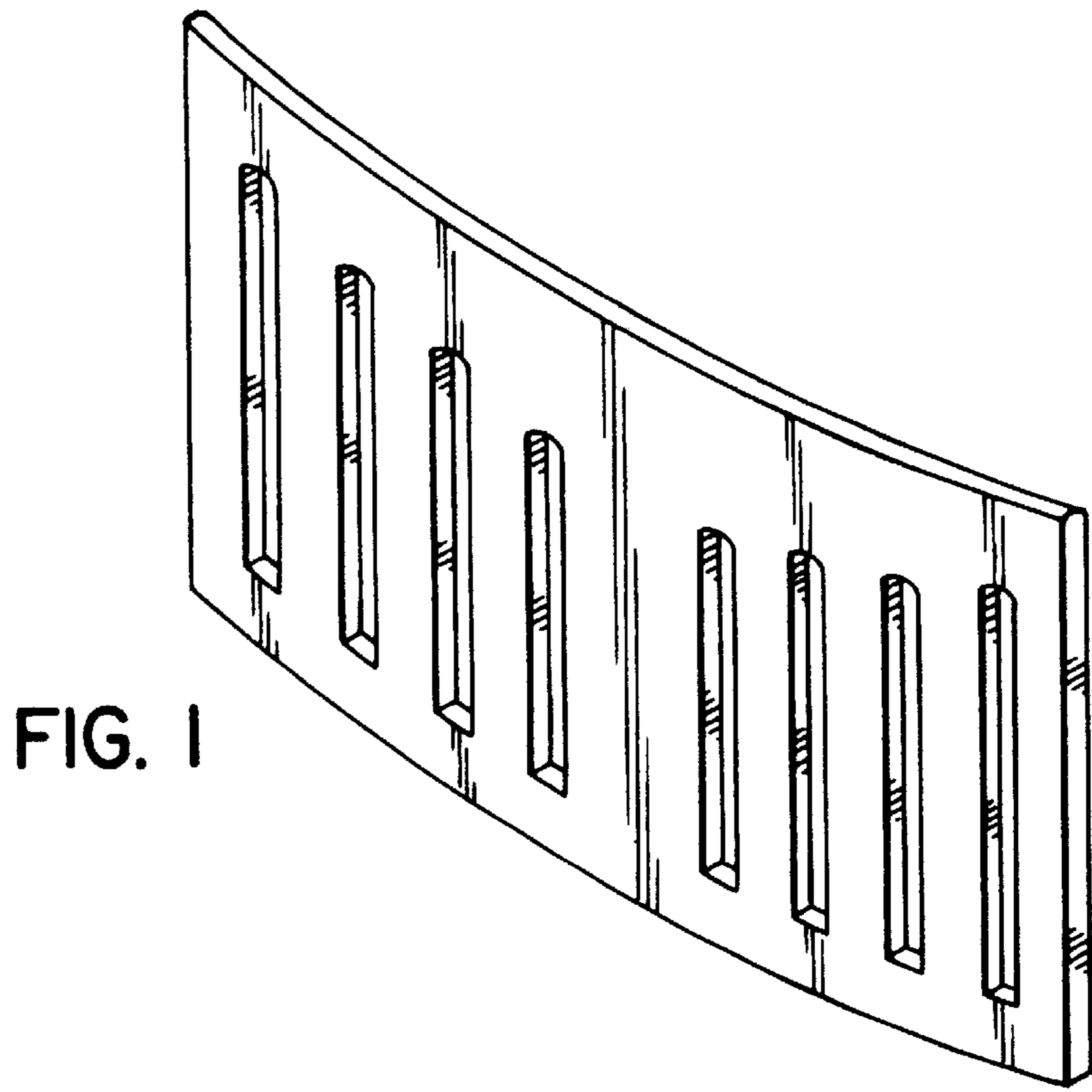


FIG. 1



FIG. 5

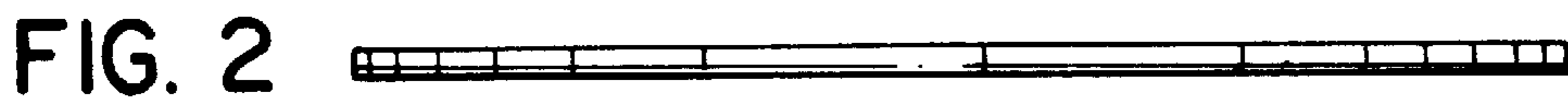


FIG. 2

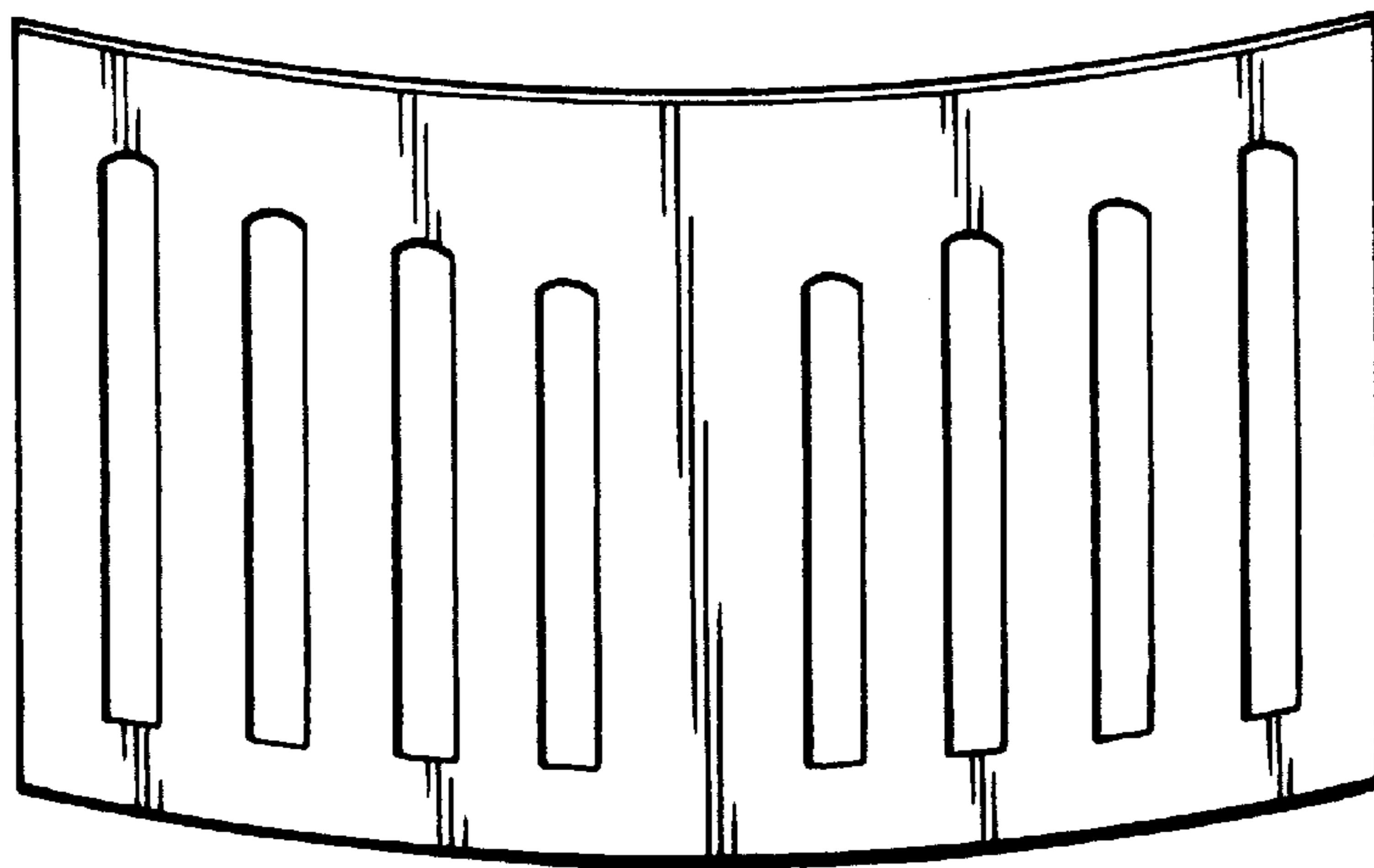


FIG. 3

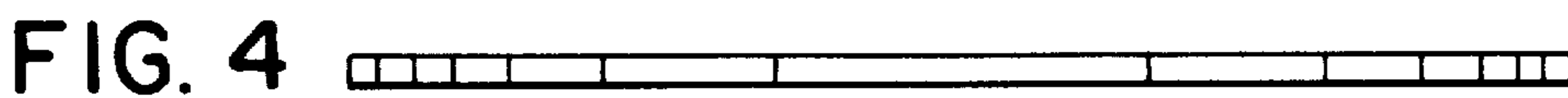


FIG. 4