



US00D403541S

United States Patent [19]
Binette

[11] **Patent Number: Des. 403,541**

[45] **Date of Patent: **Jan. 5, 1999**

[54] **FRAME MEMBER FOR A DECK BENCH**

3,601,446 8/1971 Persson 297/452.19 X
4,067,615 1/1978 Gehry 297/541.8
4,113,312 9/1978 Skalka 297/541.19 X

[75] Inventor: **Luc Binette**, Omerville, Canada

[73] Assignee: **L. Entreprise Enr.**, Omerville

[**] Term: **14 Years**

Primary Examiner—Holly Baynham
Attorney, Agent, or Firm—George A. Seaby

[21] Appl. No.: **79,746**

[22] Filed: **Nov. 26, 1997**

[57] **CLAIM**

The ornamental design for a frame member for a deck bench, as shown and described.

[51] **LOC (6) Cl.** **06-06**

[52] **U.S. Cl.** **D6/495**

[58] **Field of Search** D8/354, 349; D6/491-495;
297/232, 452.19, 420.21, 240, 451.8

DESCRIPTION

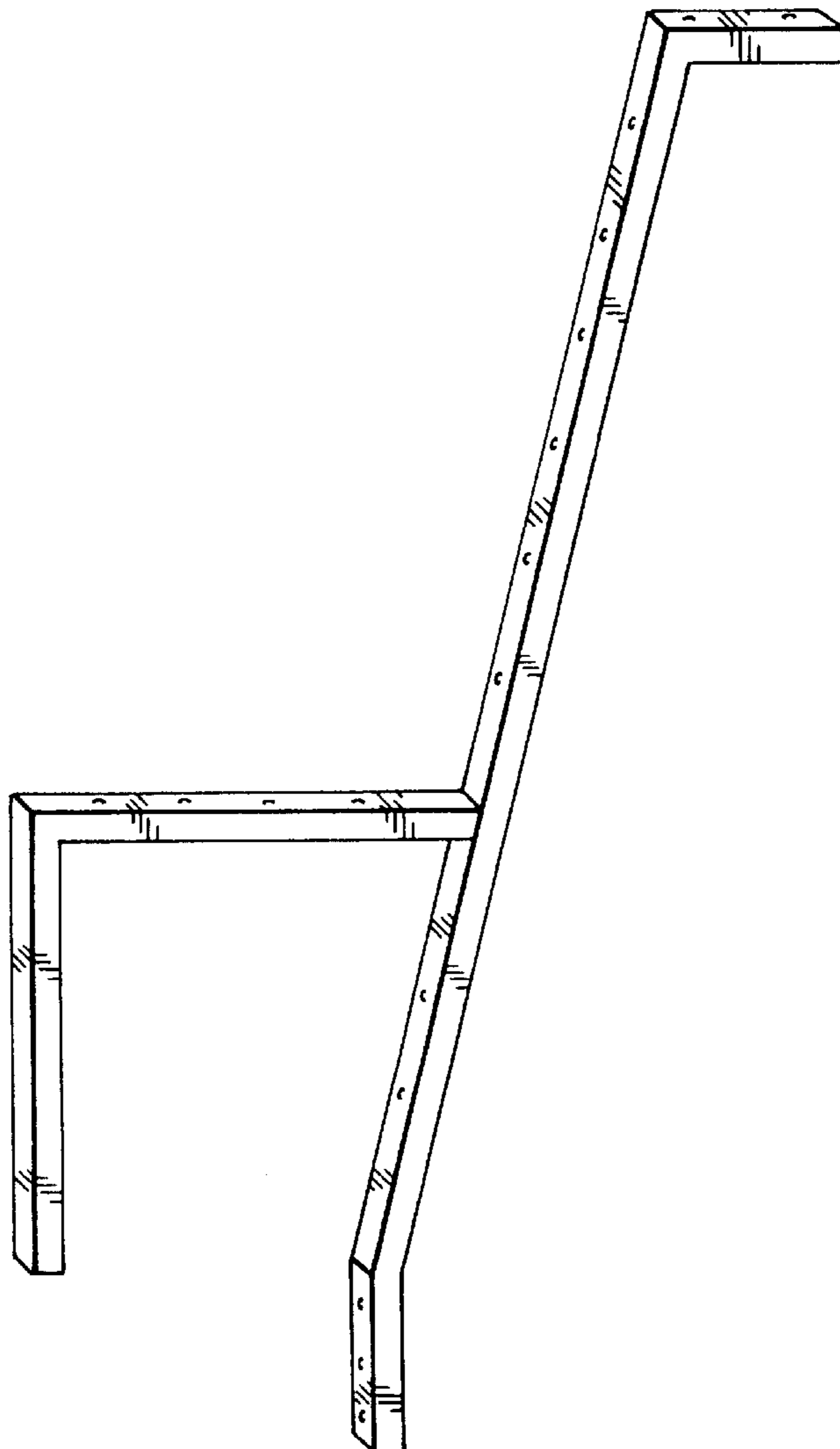
FIG. 1 is a perspective view of the frame member as seen from above and one side thereof showing my new design; FIG. 2 is a perspective view of the frame member as seen from below and the other side thereof; FIG. 3 is a perspective view of a second embodiment of the frame member as seen from above and one side thereof; and, FIG. 4 is a perspective view of the second embodiment as seen from below and the other side thereof.

[56] **References Cited**

U.S. PATENT DOCUMENTS

D. 376,937 12/1996 Skalka D6/492
2,726,713 12/1955 Turner 297/452.64
2,842,186 7/1958 Worley 297/240
3,329,465 7/1967 King 297/440.21

1 Claim, 4 Drawing Sheets



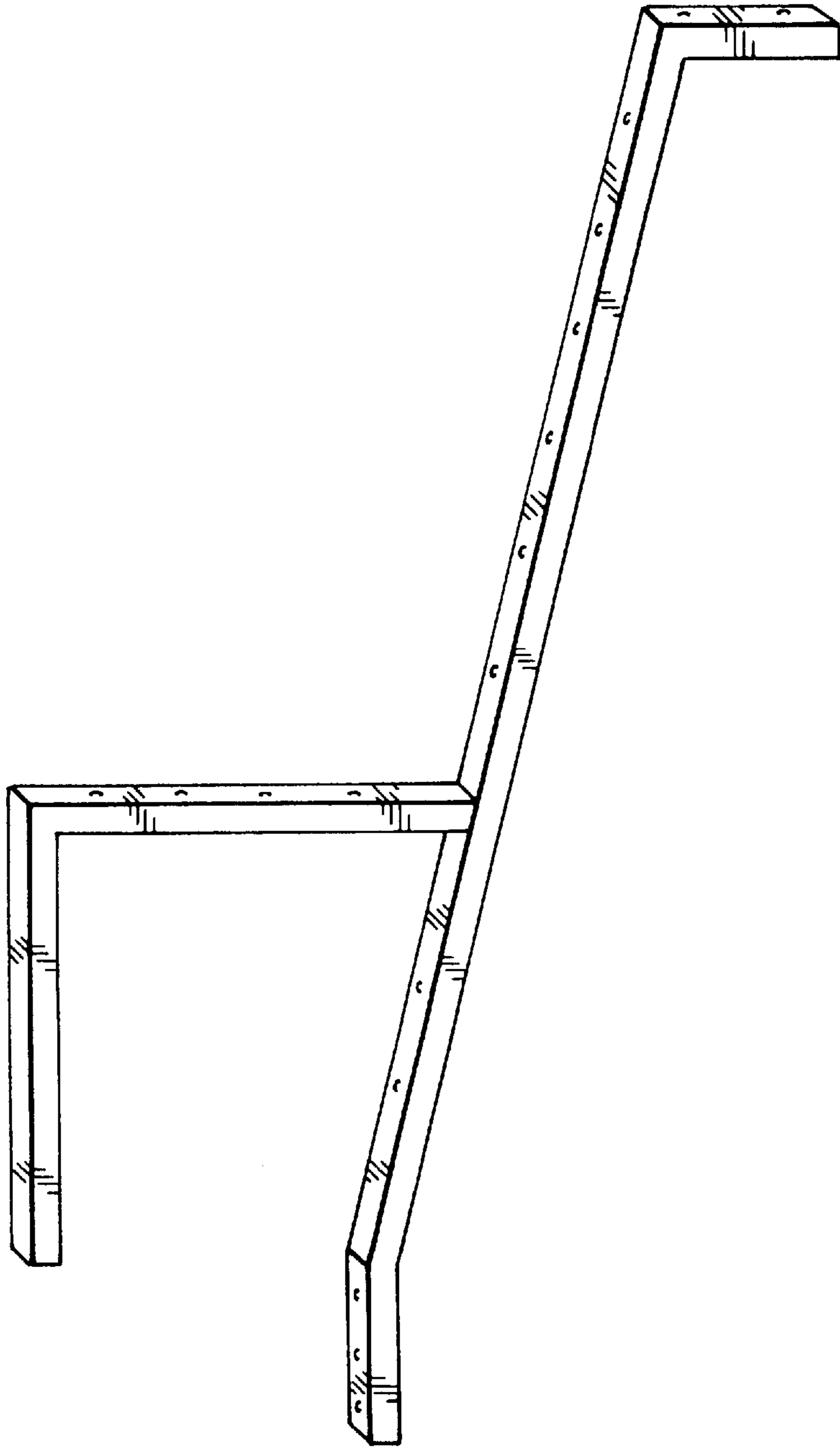


FIG. 1

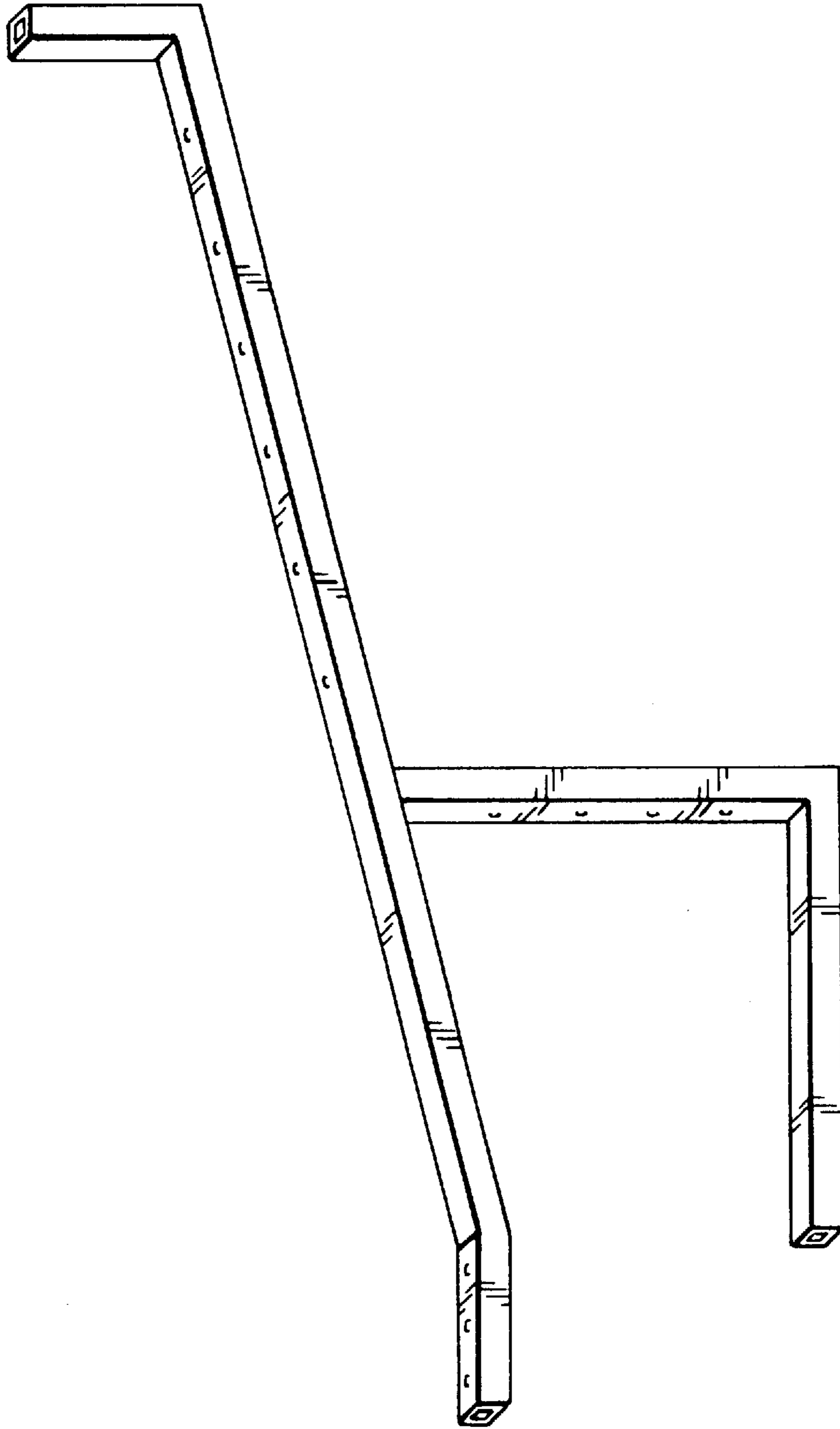


FIG. 2

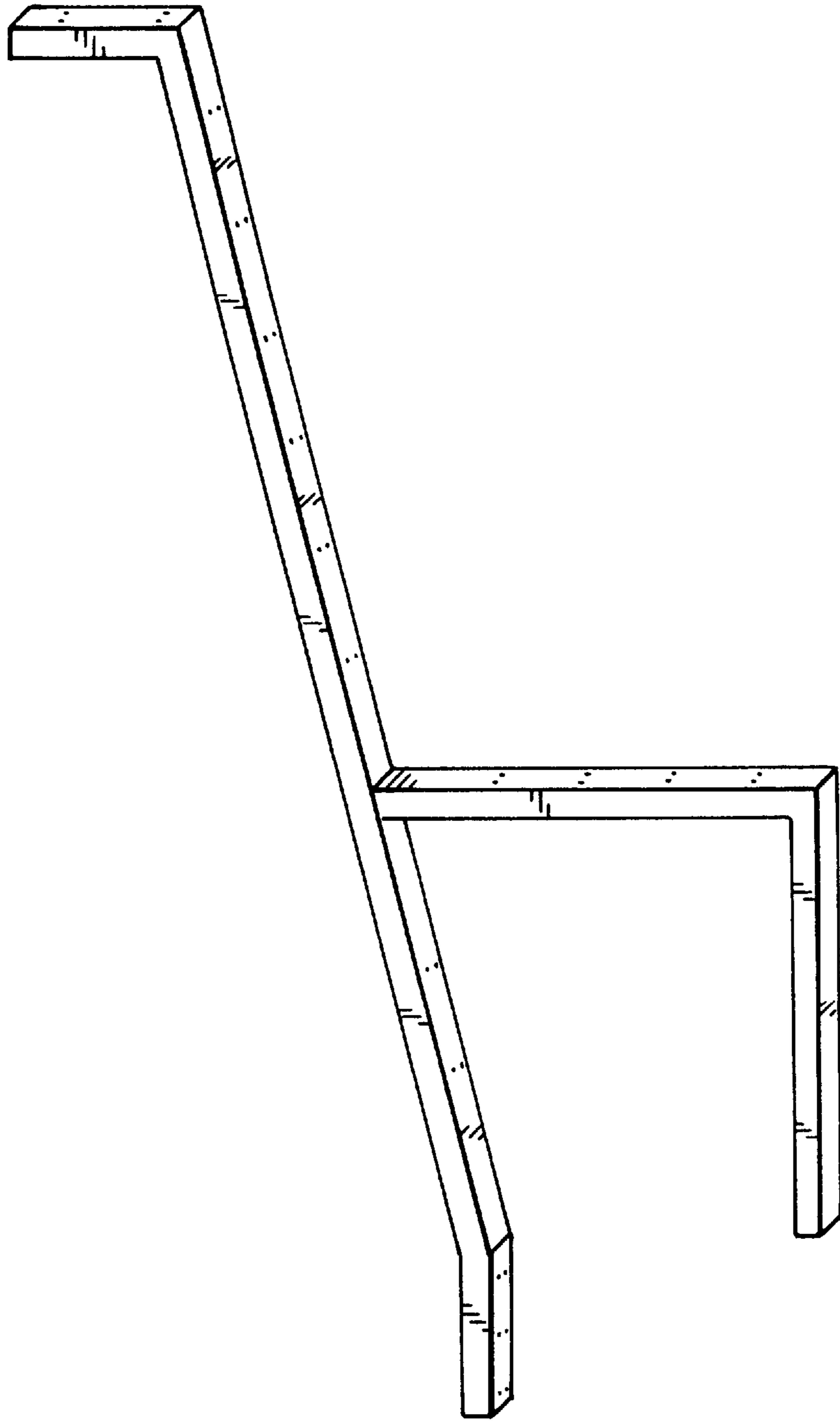


FIG. 3

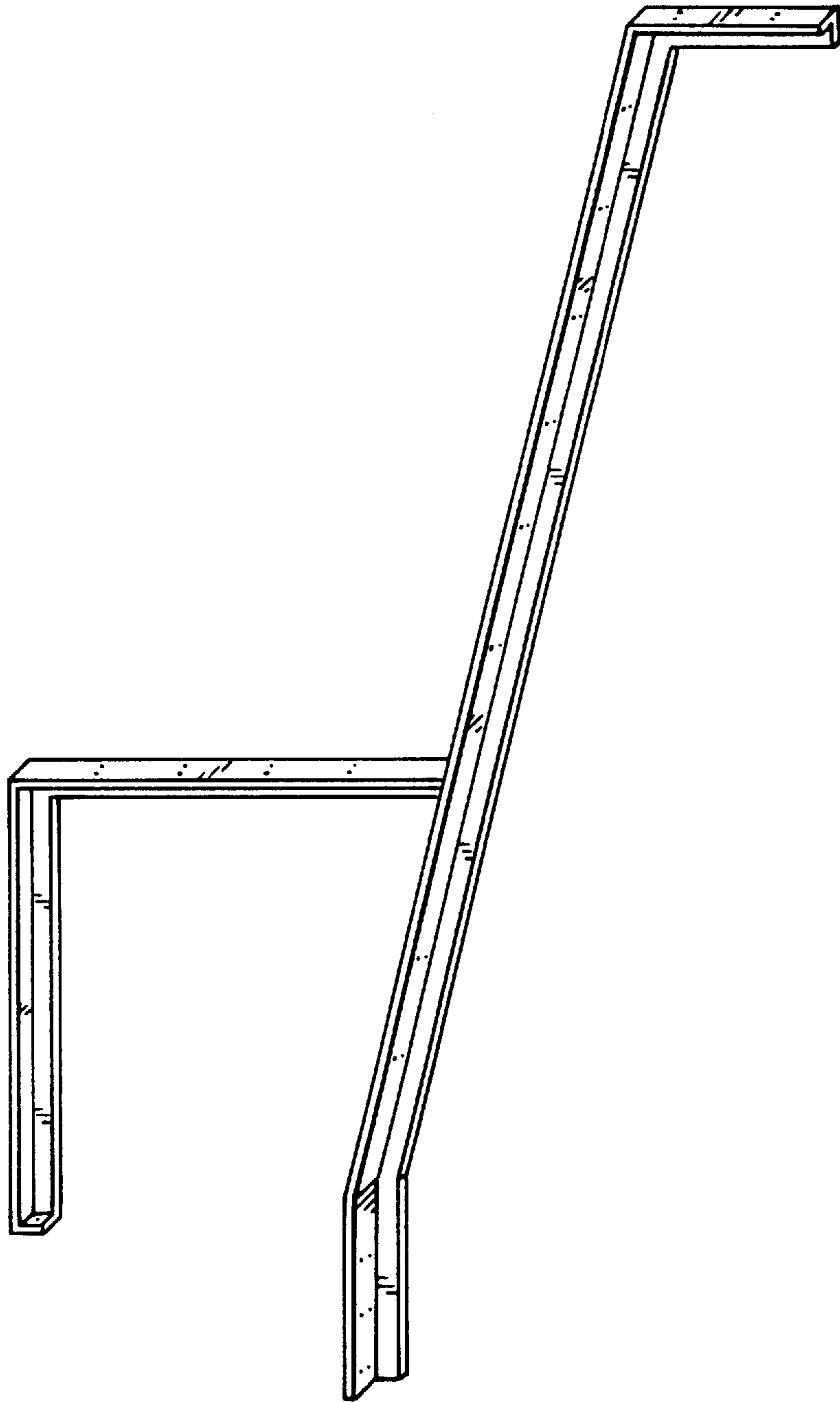


FIG. 4